

US00D935553S

(12) **United States Design Patent** (10) **Patent No.:** **US D935,553 S**
Wang (45) **Date of Patent:** **** Nov. 9, 2021**

(54) **TORCH FUEL CANISTER**
(71) Applicant: **Hao Wang**, Guangzhou (CN)
(72) Inventor: **Hao Wang**, Guangzhou (CN)
(**) Term: **15 Years**

D750,290 S 2/2016 Potter
D902,037 S * 11/2020 Woodruff F23Q 2/00
D9/500
2017/0261202 A1* 9/2017 Hansen F23D 3/26
2018/0045411 A1* 2/2018 Woodruff F23D 3/32

(21) Appl. No.: **29/744,755**
(22) Filed: **Jul. 31, 2020**
(51) **LOC (13) Cl.** **23-01**
(52) **U.S. Cl.**
USPC **D23/211.1; D9/772**
(58) **Field of Classification Search**
USPC D23/211.1, 211.2, 338; D9/766, 767,
D9/772, 773, 775, 776, 500; D26/8, 114,
D26/116, 117
CPC F23D 3/18; F23D 3/24; F23D 3/28; F21L
17/00; F21V 13/10; F21V 37/00; F21V
37/0004

OTHER PUBLICATIONS

Amazon.com; LANMU; "LANMU Torch Canisters . . ."; [online] <https://www.amazon.com/LANMU-Canisters-Canister-Replacement-Citronella/dp/B0823JDT1H>; dated Nov. 27, 2019; accessed Jan. 30, 2021; 4pgs. (Year: 2019).*

* cited by examiner

Primary Examiner — Keli L Hill
(74) *Attorney, Agent, or Firm* — Runit Ranjit Kanakia

See application file for complete search history.

(57) **CLAIM**

I claim the ornamental design for a torch fuel canister, as shown and described.

DESCRIPTION

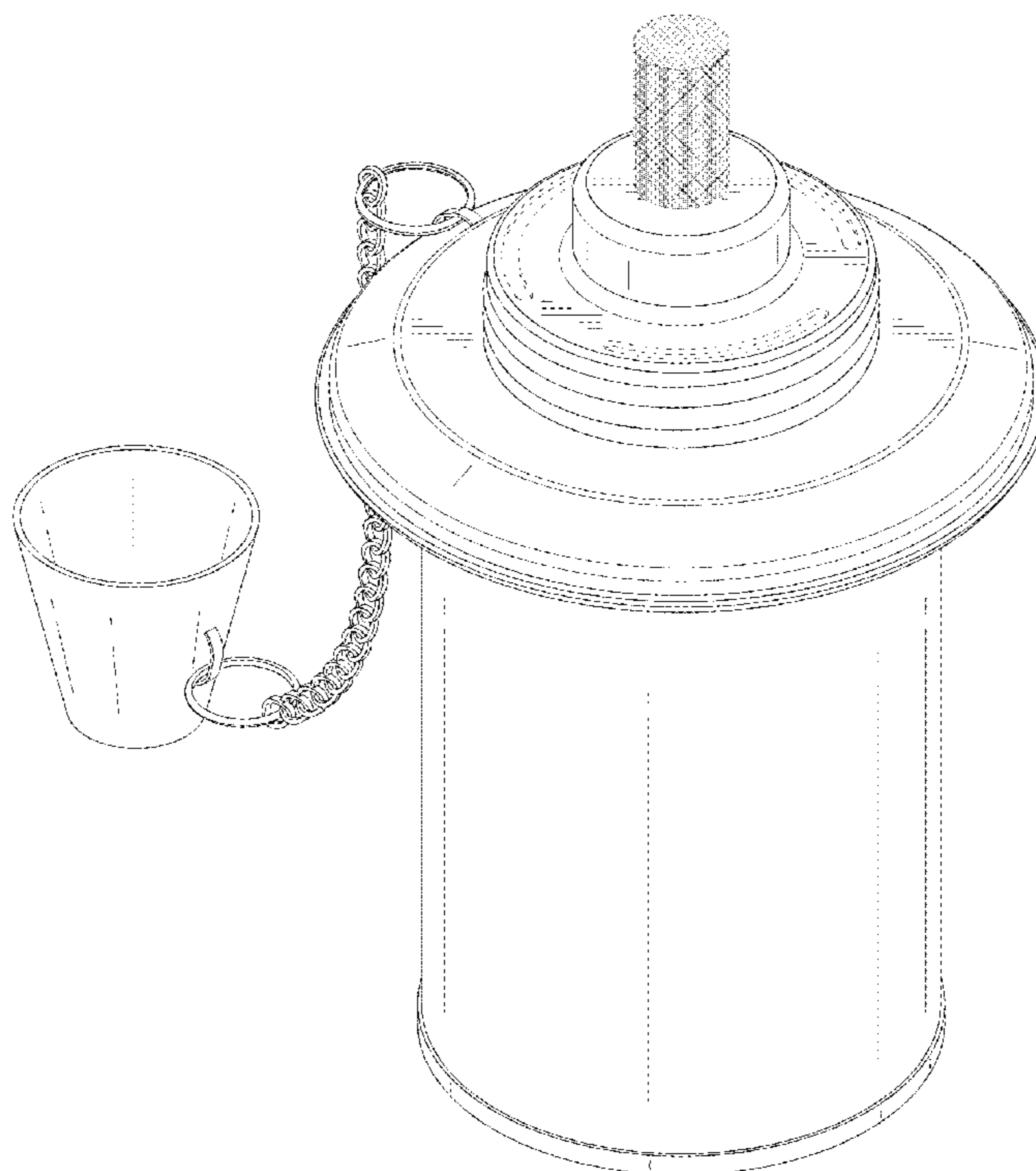
(56) **References Cited**

U.S. PATENT DOCUMENTS

D10,773 S * 8/1878 Tallmadge F23D 3/32
D26/8
3,516,774 A * 6/1970 Livingstone F23Q 2/00
431/323
D325,642 S * 4/1992 Hollingsworth D26/8
D456,917 S 5/2002 Kumar
D464,156 S 10/2002 Yeh
D542,659 S * 5/2007 Meether D23/211.1
D676,160 S * 2/2013 Stephens D26/8
D735,844 S 8/2015 Potter

FIG. 1 is a perspective view of a torch fuel canister showing my new design;
FIG. 2 is a front view thereof;
FIG. 3 is a back view thereof;
FIG. 4 is a right-side view thereof;
FIG. 5 is a left-side view thereof;
FIG. 6 is a top view thereof; and,
FIG. 7 is a bottom view thereof.
The broken lines are for the purpose of illustrating portions of the article that form no part of the claim.

1 Claim, 7 Drawing Sheets



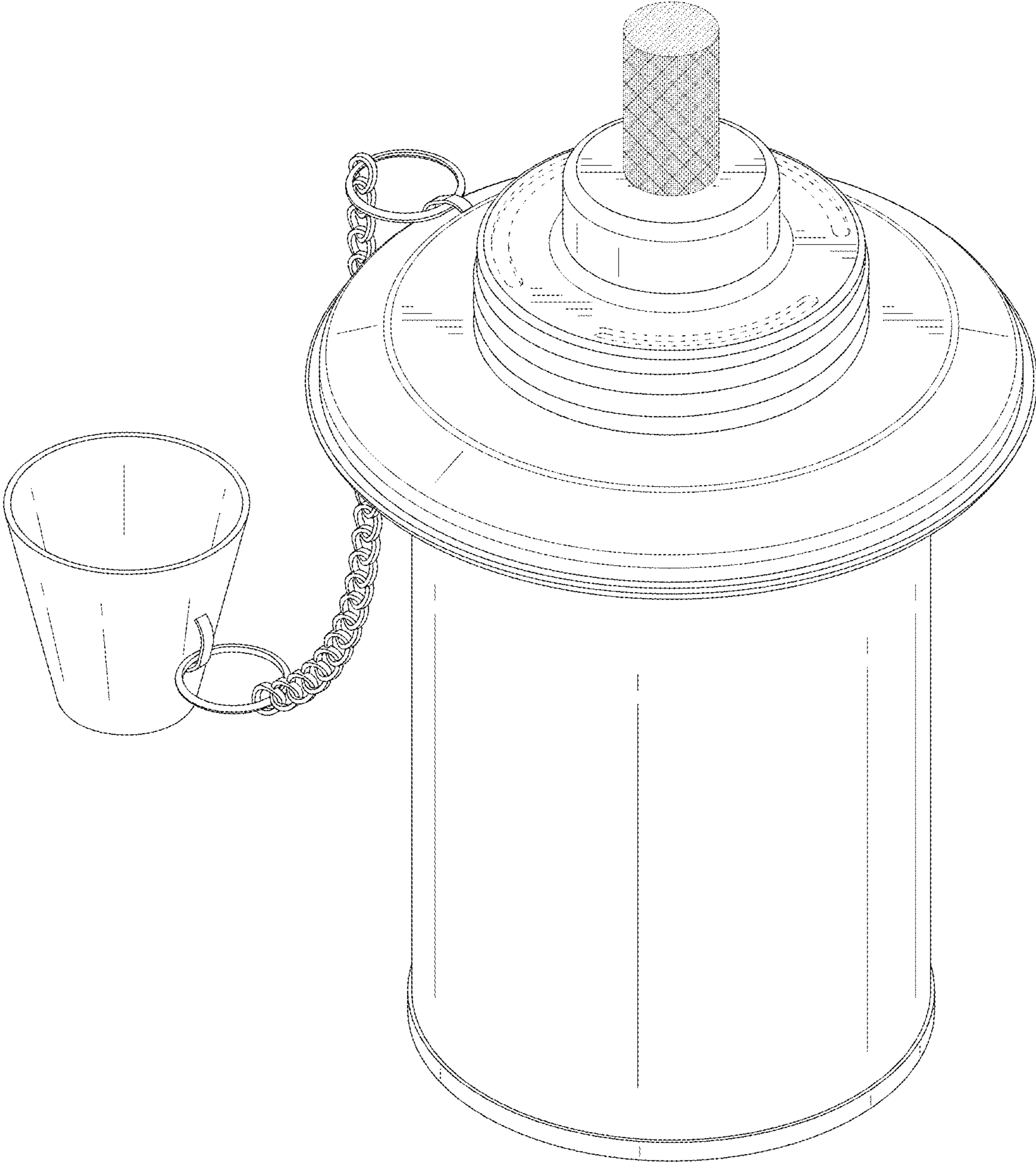


FIG. 1

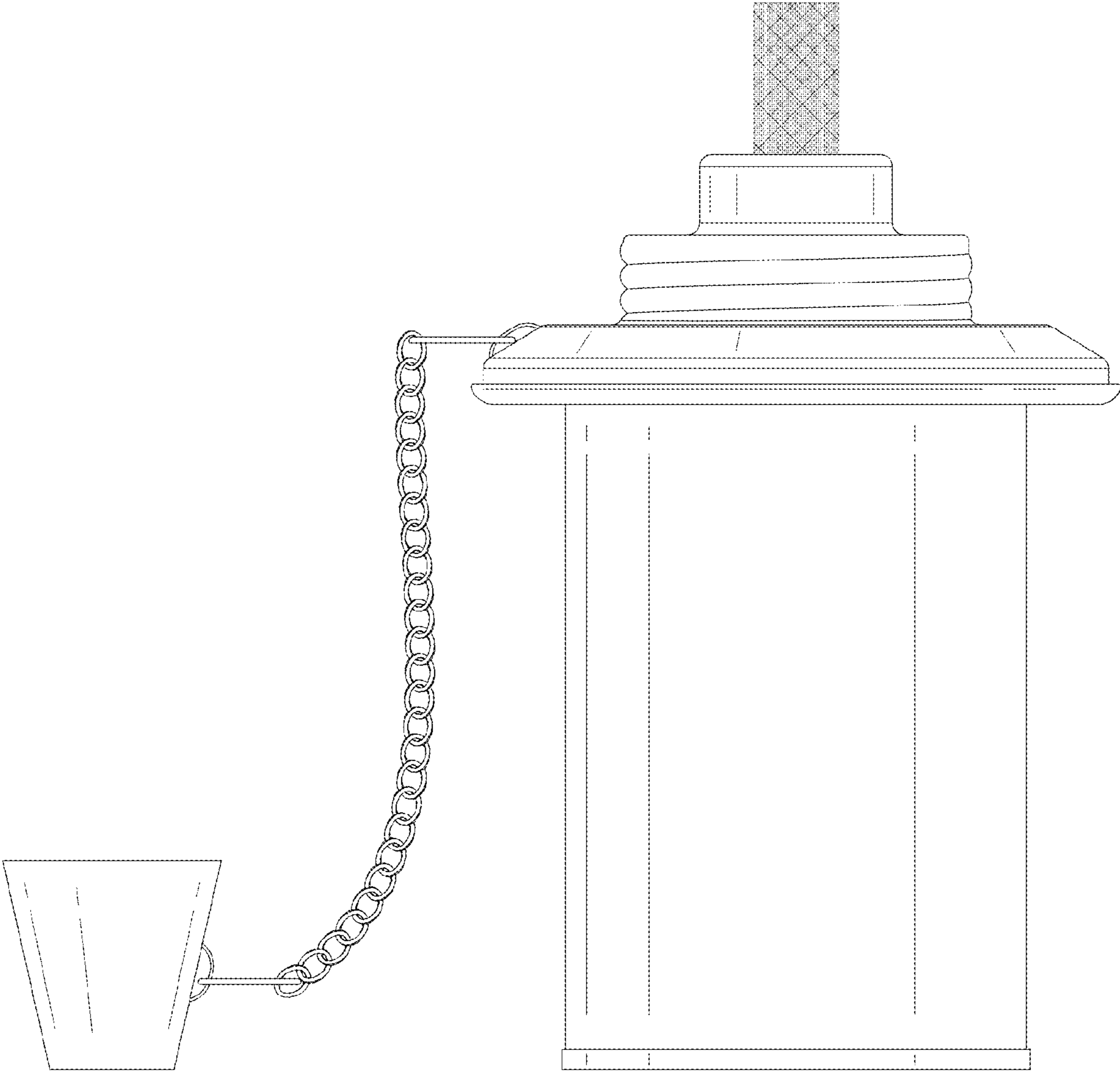


FIG. 2

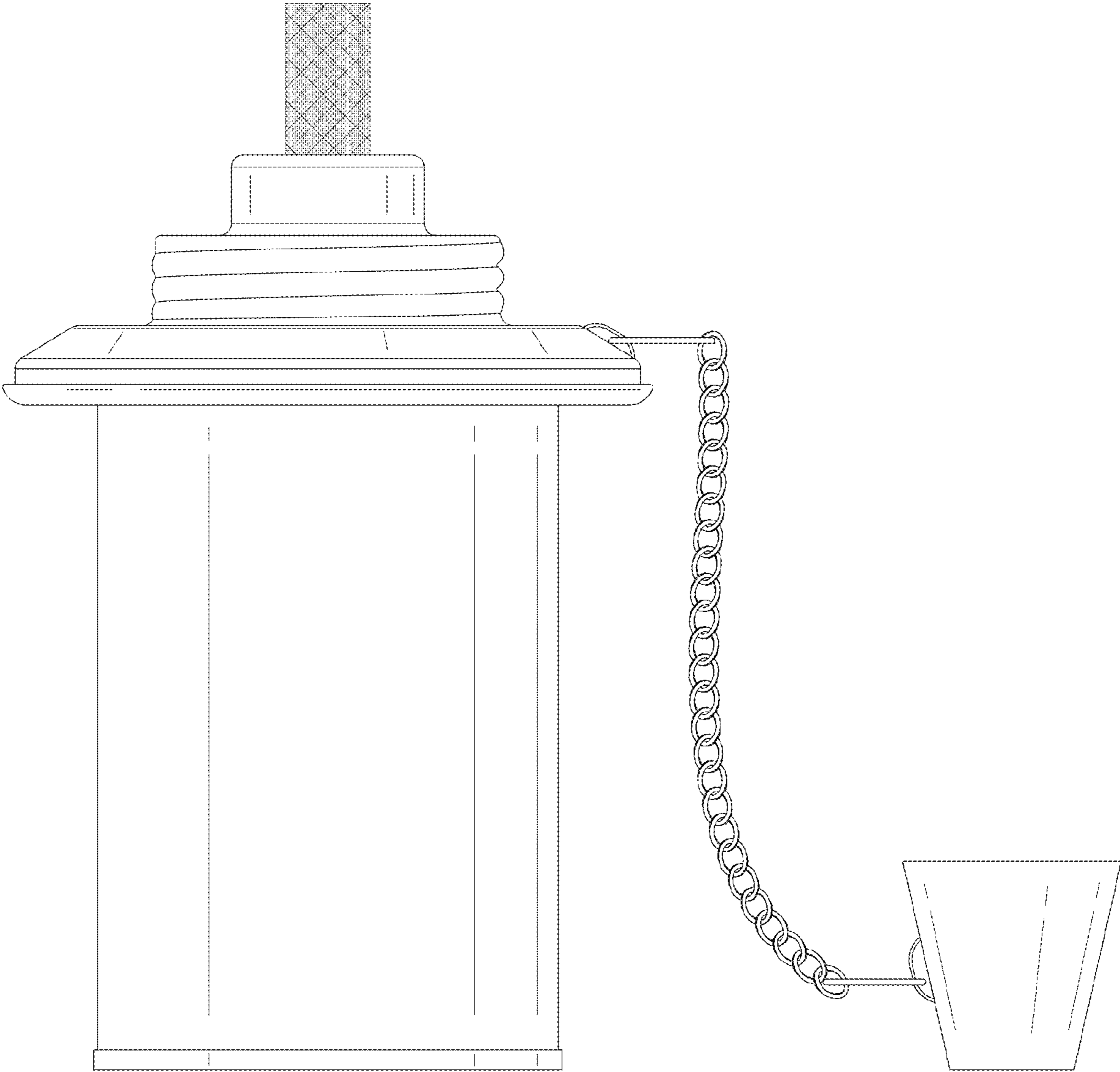


FIG. 3

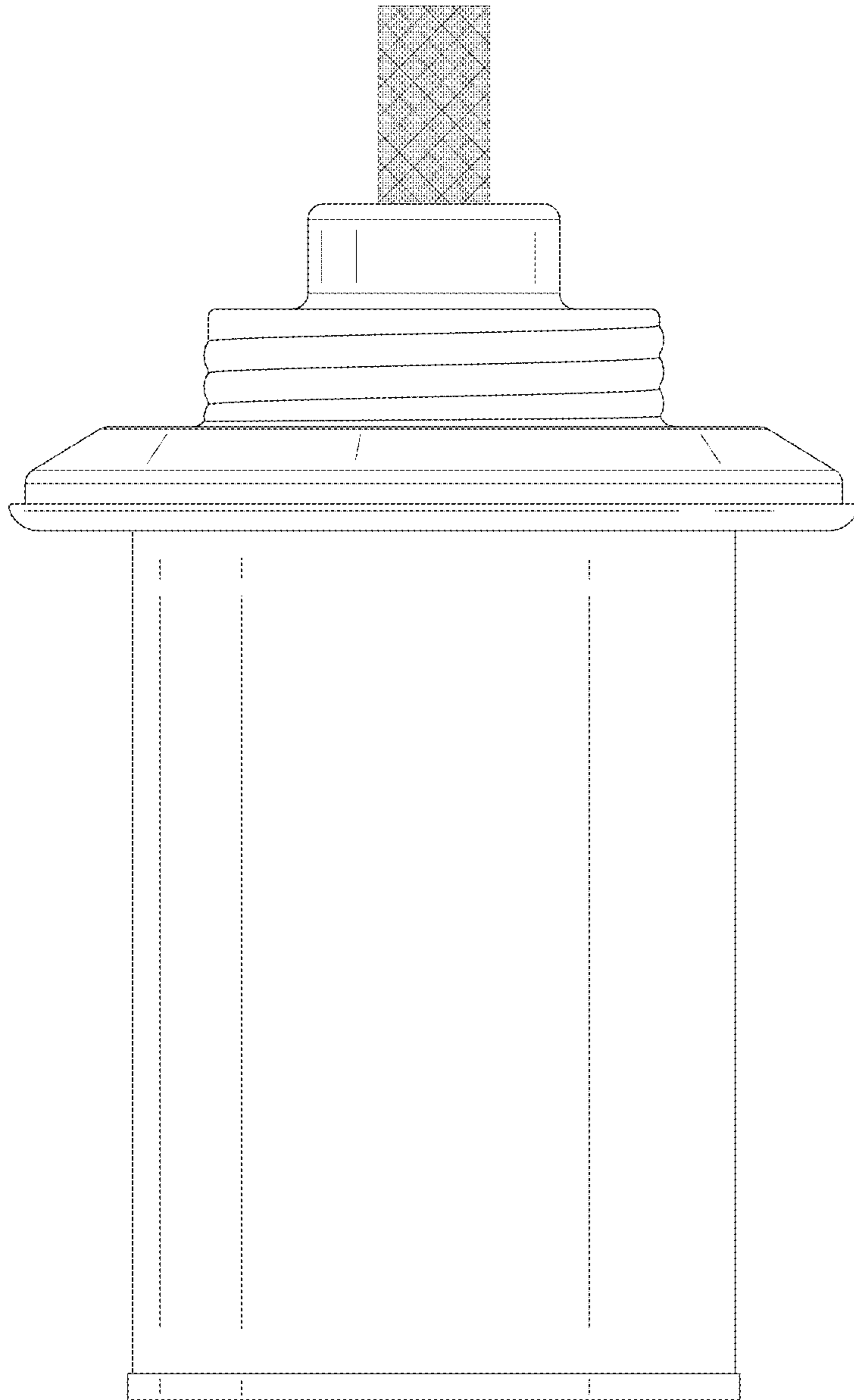


FIG. 4

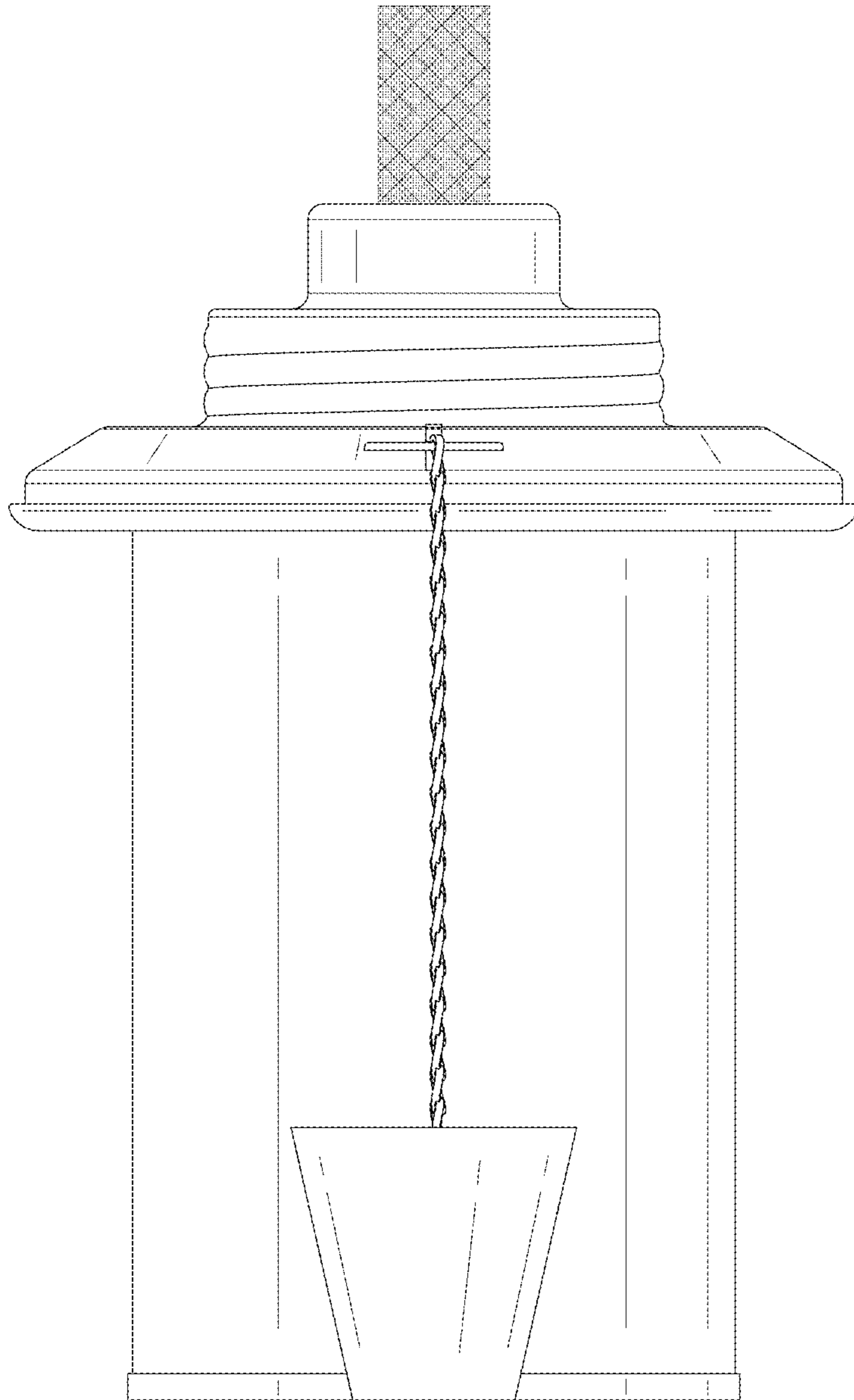


FIG. 5

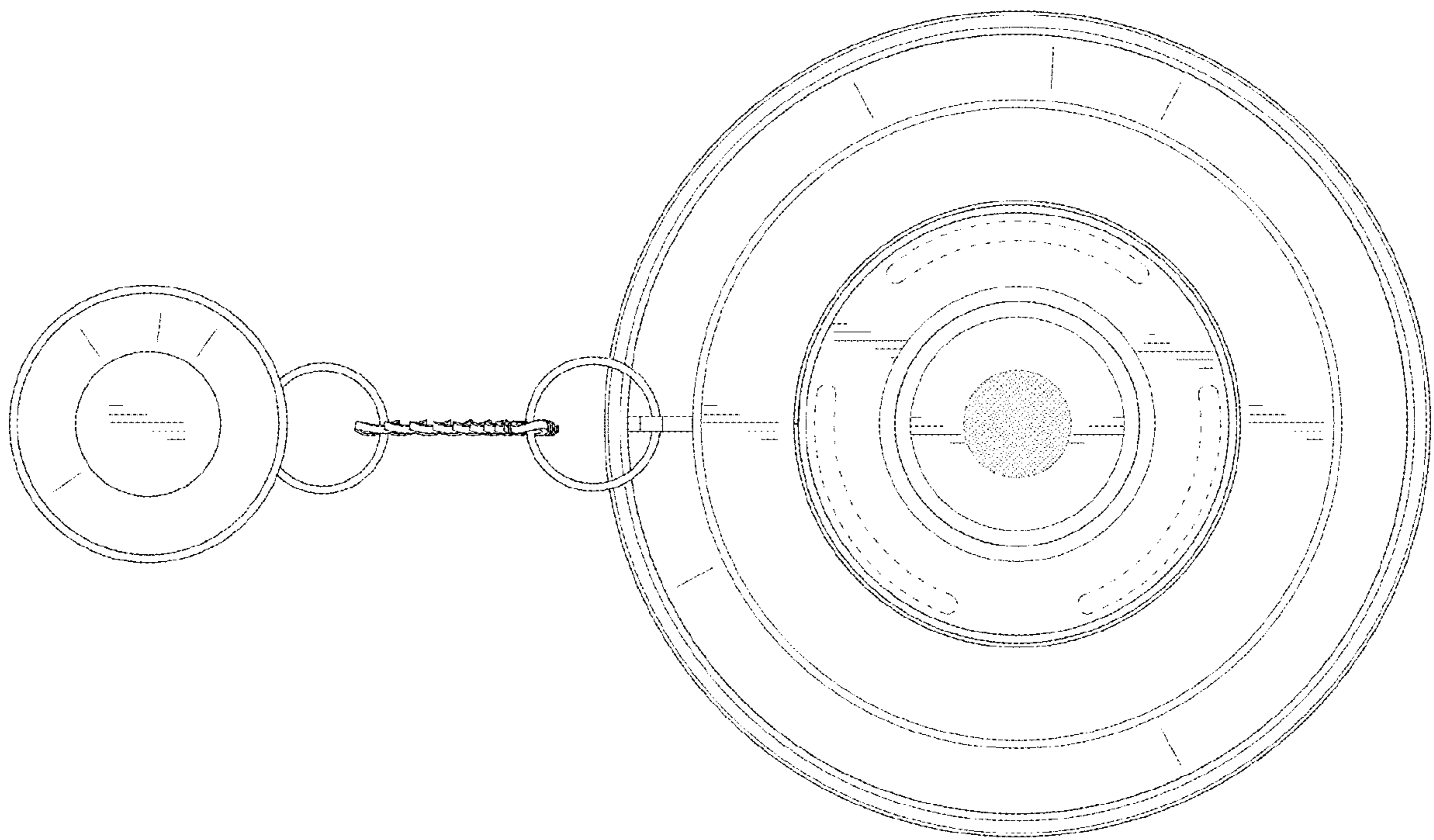


FIG. 6

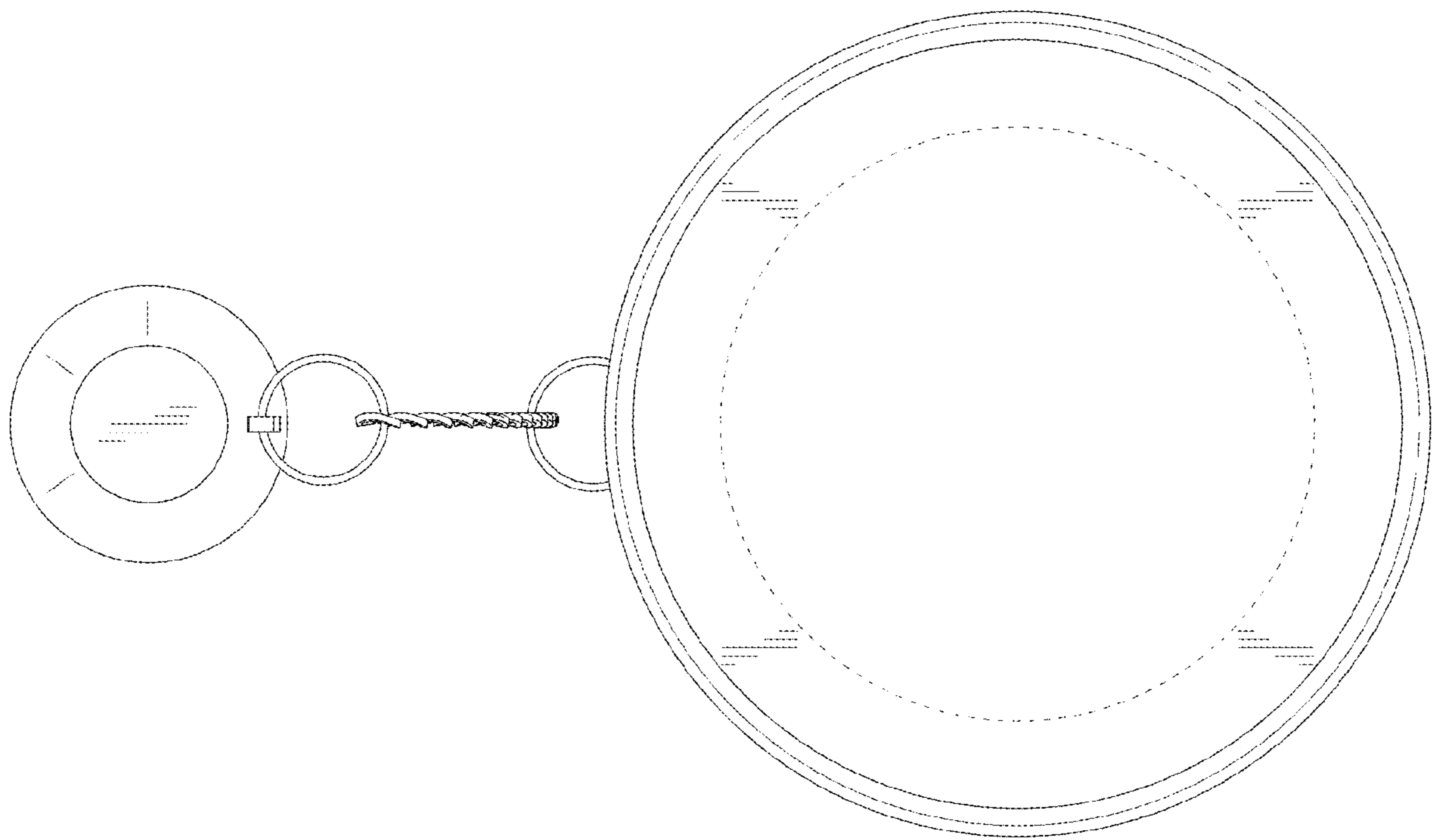


FIG. 7