



US00D935548S

(12) **United States Design Patent** (10) **Patent No.:** **US D935,548 S**
Stump et al. (45) **Date of Patent:** **** Nov. 9, 2021**

(54) **FIREARM TOOL**

(71) Applicant: **CURRENT IDEAS HOLDING, LLC**,
Littleton, CO (US)

(72) Inventors: **Robert F. Stump**, El Paso, TX (US);
Terrell M. Gaines, Aurora, CO (US)

(**) Term: **15 Years**

(21) Appl. No.: **29/779,575**

(22) Filed: **Apr. 20, 2021**

URL: <https://www.thefirearmblog.com/blog/2013/11/24/present-arms-pct-plug-capture-tool-1911/> (Year: 2013).*

(Continued)

Primary Examiner — Marissa J Cash

Assistant Examiner — Jessie Anne E Touart

(74) *Attorney, Agent, or Firm* — Loza & Loza LLP;
Kevin L. Soules

(57) **CLAIM**

The ornamental design for a firearm tool, as shown and described.

Related U.S. Application Data

(63) Continuation-in-part of application No. 17/006,737,
filed on Aug. 28, 2020, now abandoned.

(51) **LOC (13) Cl.** **22-01**

(52) **U.S. Cl.**
USPC **D22/108**

(58) **Field of Classification Search**
USPC D22/108, 199; D18/16, 18, 19, 20, 21,
D18/25, 105
CPC F41A 11/00; F41A 21/00; F41A 35/00;
F41C 27/00
See application file for complete search history.

(56) **References Cited**

U.S. PATENT DOCUMENTS

4,901,411 A	2/1990	Chestnut et al.	
D407,958 S *	4/1999	Royse, III	D8/16
6,430,862 B1	8/2002	Berlin	
D473,118 S *	4/2003	Lovegrove	D8/38
D570,168 S *	6/2008	James	D8/21

(Continued)

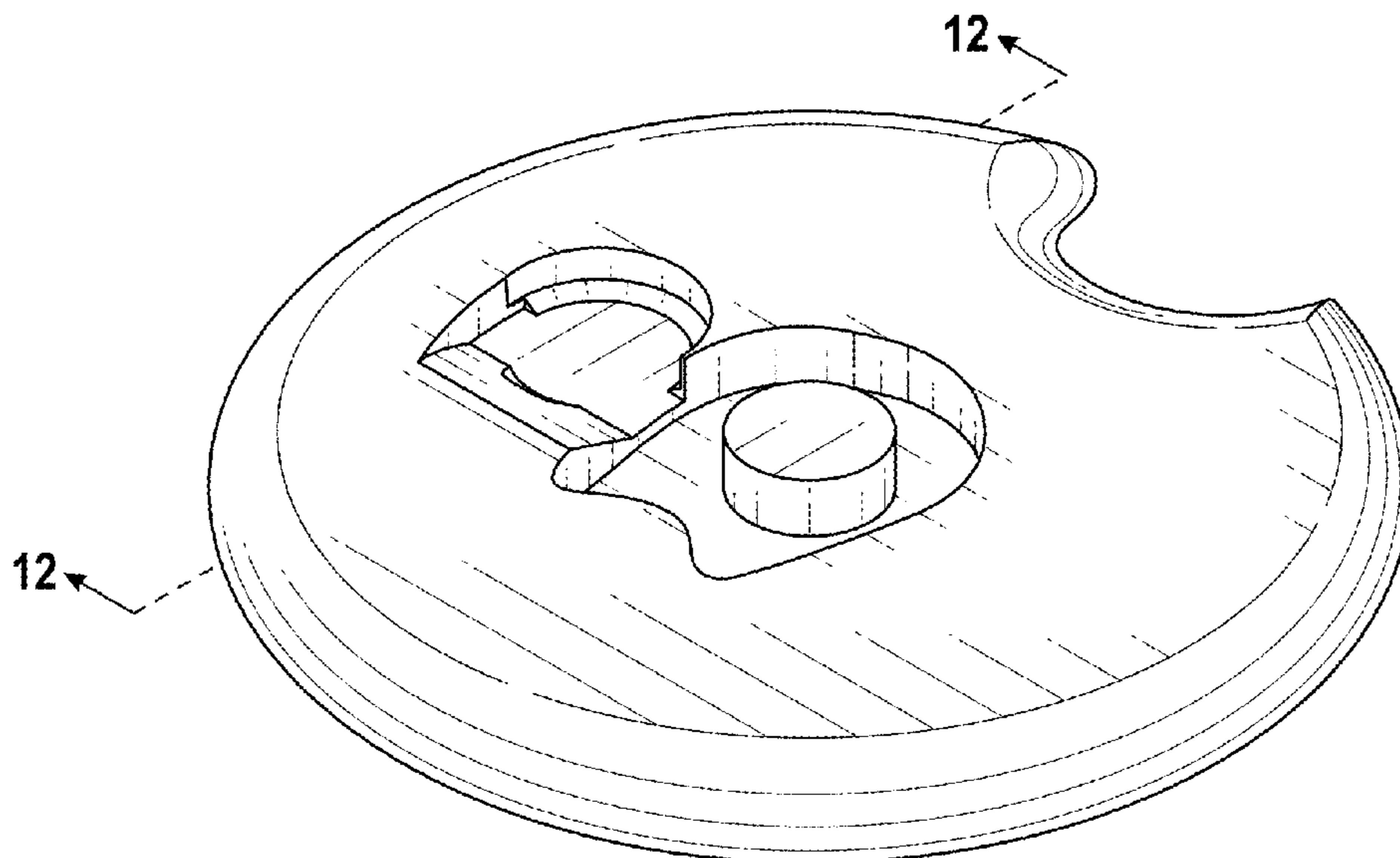
OTHER PUBLICATIONS

Johnson, Steve. "Present Arms PCT 9Plug Capture Tool) For 1911"
posted: Nov. 24, 2013 TheFirearmBlog [visited: Sep. 20, 2021]

DESCRIPTION

FIG. 1 is a top right perspective view of a firearm tool, according to the present invention;
FIG. 2 is a top left perspective view of the firearm tool of FIG. 1;
FIG. 3 is a right side elevation view of the firearm tool of FIG. 1;
FIG. 4 is a left side elevation view of the firearm tool of FIG. 1;
FIG. 5 is a front elevation view of the firearm tool of FIG. 1;
FIG. 6 is a rear elevation view of the firearm tool of FIG. 1;
FIG. 7 is a top plan view of the firearm tool of FIG. 1;
FIG. 8 is a bottom plan view of the firearm tool of FIG. 1;
FIG. 9 is a bottom right perspective view of the firearm tool of FIG. 1;
FIG. 10 is a bottom left perspective view of the firearm tool of FIG. 1;
FIG. 11 is a top left cross-sectional perspective view of the firearm tool taken along lines 11-11 of FIG. 2; and,
FIG. 12 is a top right cross-sectional perspective view of the firearm tool taken along lines 12-12 of FIG. 1.
The broken lines shown in FIGS. 1 and 2 annotate cross-sectional views of the firearm tool and form no part of the claimed design.

1 Claim, 5 Drawing Sheets



(56)

References Cited

U.S. PATENT DOCUMENTS

7,401,432 B2 * 7/2008 Perry F41A 11/00
42/108
D603,233 S * 11/2009 Beckham D8/21
7,703,232 B1 * 4/2010 Johns F41A 21/00
42/108
D644,075 S * 8/2011 Barnett D8/18
D689,752 S 9/2013 Alho et al.
8,800,193 B1 8/2014 Frear
9,194,642 B2 11/2015 Jenkinson
D747,941 S * 1/2016 Jenkinson F41A 35/00
D8/19
D748,957 S 2/2016 Hofman et al.
D771,453 S * 11/2016 Liu D8/25
D821,531 S * 6/2018 Hensley D22/108
10,166,658 B2 1/2019 Bennett et al.
10,317,155 B2 6/2019 Adamietz, Jr.
10,371,478 B2 8/2019 Sexton
10,495,402 B2 12/2019 Morris et al.
D888,868 S * 6/2020 Jenkinson D22/108
D893,659 S * 8/2020 Noonan D22/108
D893,663 S * 8/2020 Hensley D22/108
2006/0053674 A1 3/2006 Shoher
2006/0162224 A1 7/2006 Connal

2006/0260170 A1 11/2006 Perry
2010/0095576 A1 4/2010 Johns
2010/0269394 A1 10/2010 Ketchum
2012/0291330 A1 11/2012 Johnson
2014/0259852 A1 9/2014 Jenkinson
2015/0020428 A1 1/2015 Jenkinson
2016/0282072 A1 9/2016 Adamietz
2019/0063863 A1 2/2019 Morris et al.

OTHER PUBLICATIONS

1911 Bushing Wrench, by Printed Firearm, posted: Jan. 21, 2015
Thingiverse [visited: Sep. 20, 2021] URL: <https://www.thingiverse.com/thing:646457> (Year: 2015).
High Sierra Group Lynx 1911 Bushing Wrench, PalmettoStateArmory [visited Sep. 20, 2021] URL: <https://palmettostatearmory.com/high-sierra-group-lynx-1911-bushing-wrench.html> (Year: 2021).
Jet Girl. "Barrel bushing wrench. A New Device From 1911UltraTool.com". You-Tube Video <https://www.youtube.com/watch?v=xaXxywUrKkI> (Oct. 8, 2013).
2 Brothers Adventures. "Real Avid 1911 Smart Wrench (New)—SHOT Show 2015", YouTube, Entire Video, <https://www.youtube.com/watch?v=RzTMtGV3X3g> (Jan. 22, 2015).

* cited by examiner

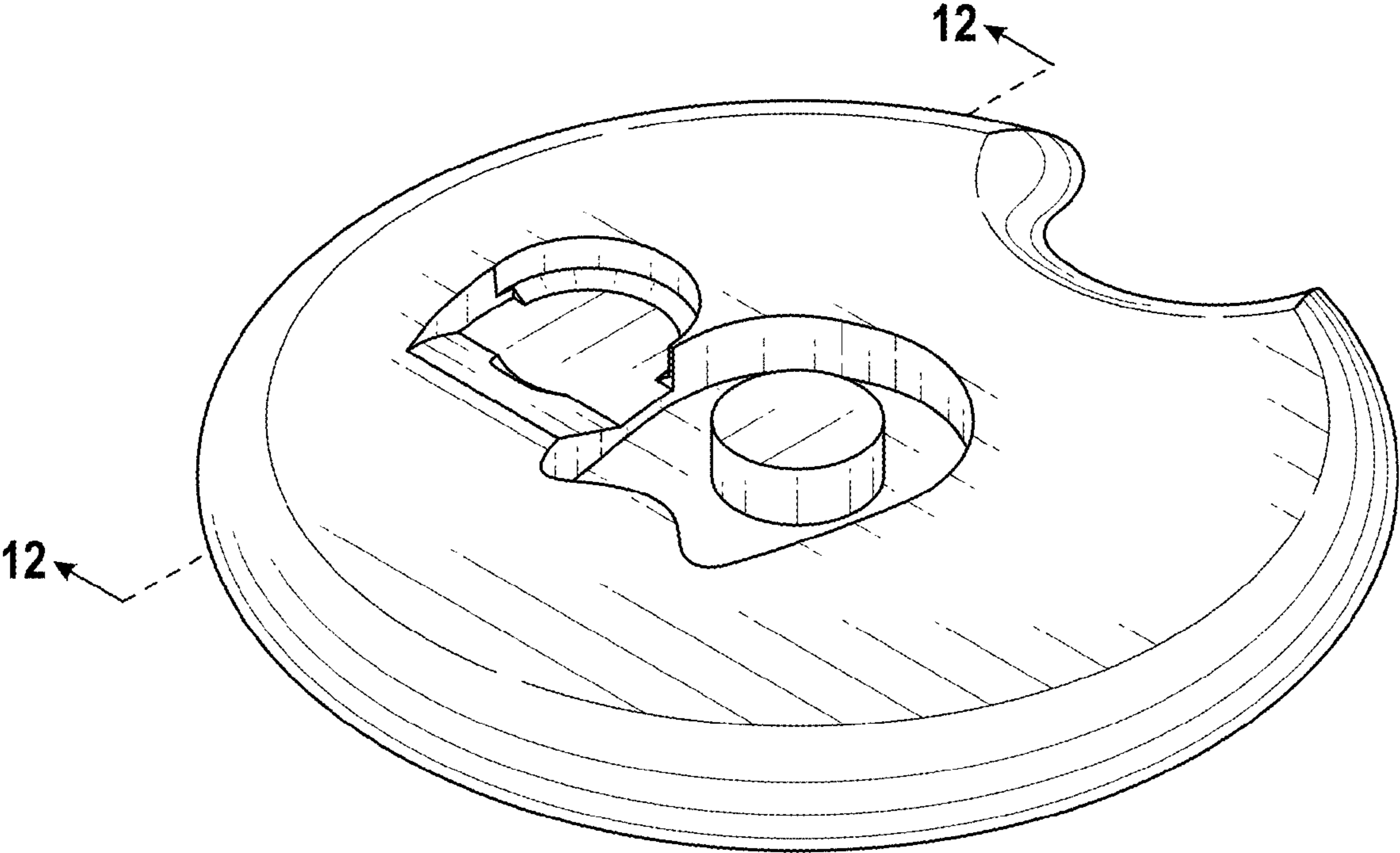


FIG. 1

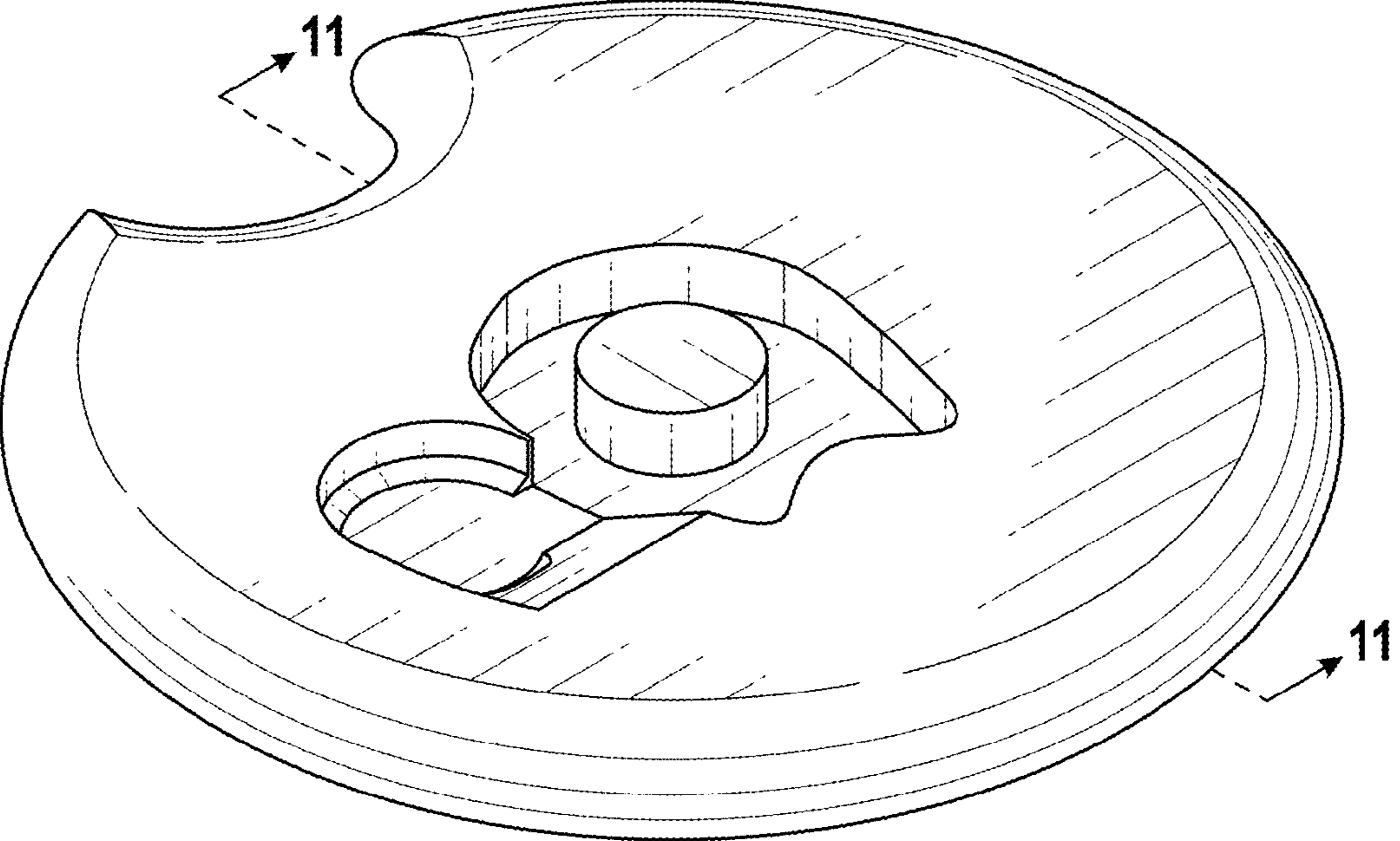


FIG. 2

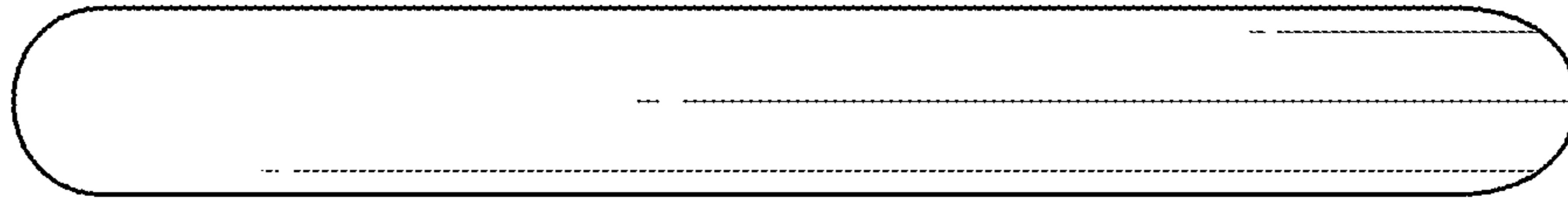


FIG. 3



FIG. 4

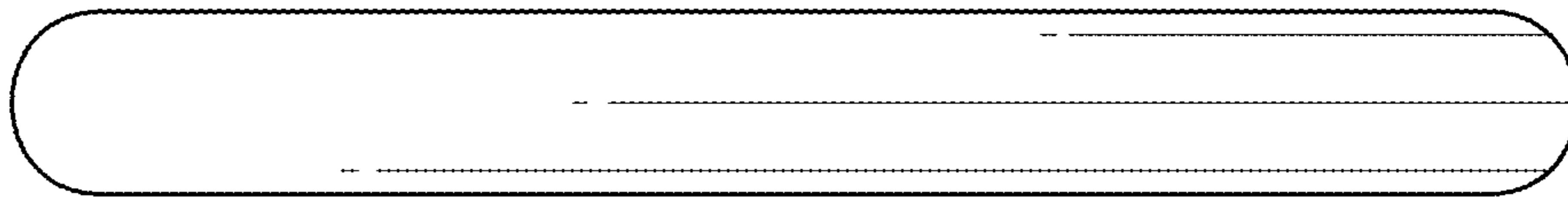


FIG. 5

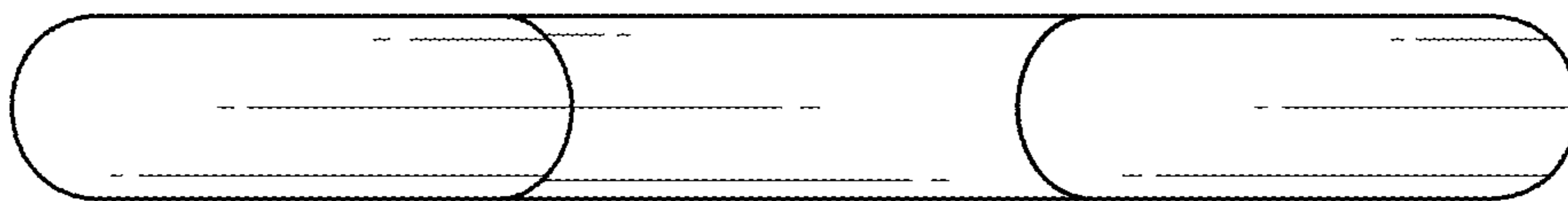


FIG. 6

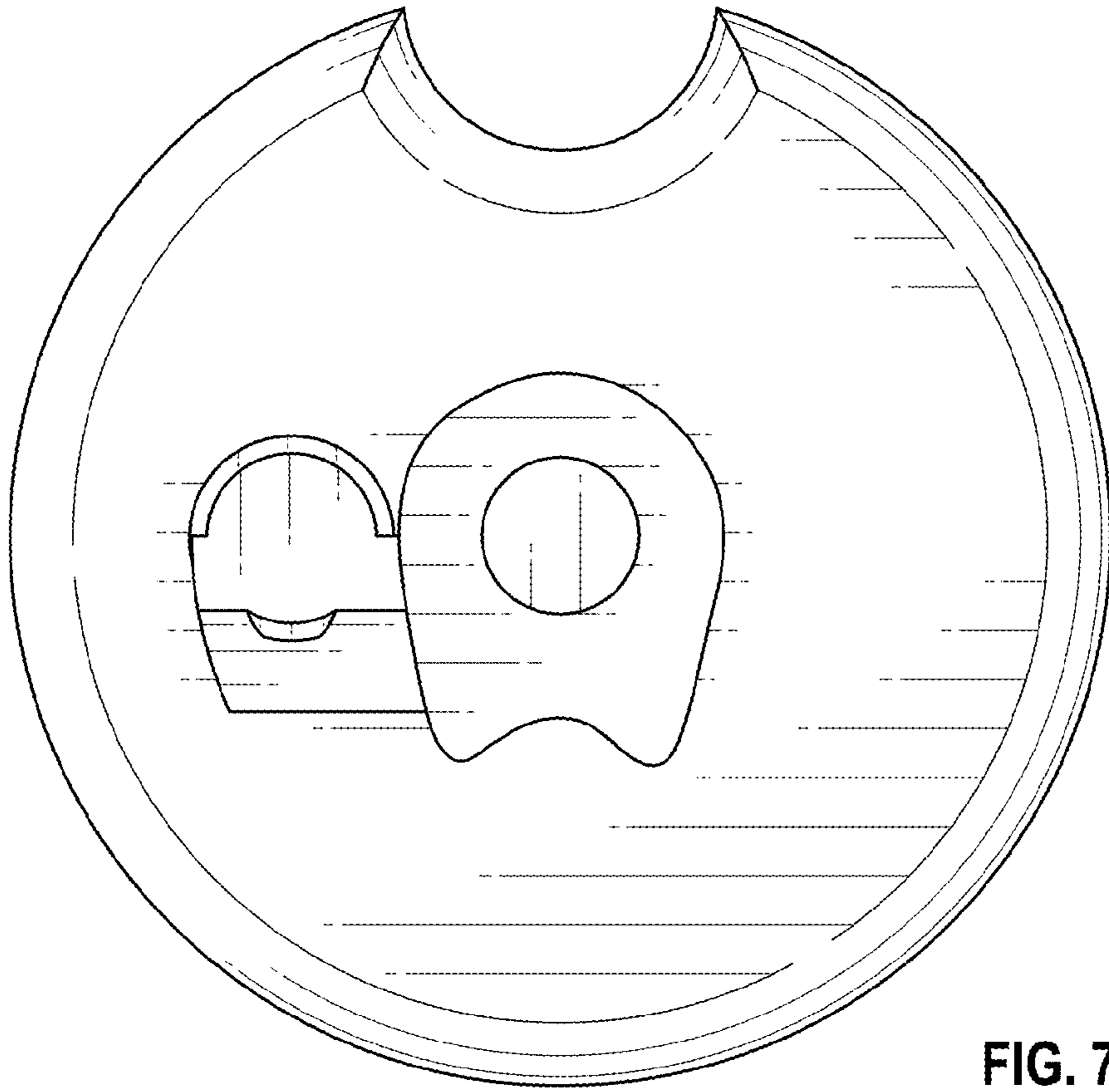


FIG. 7

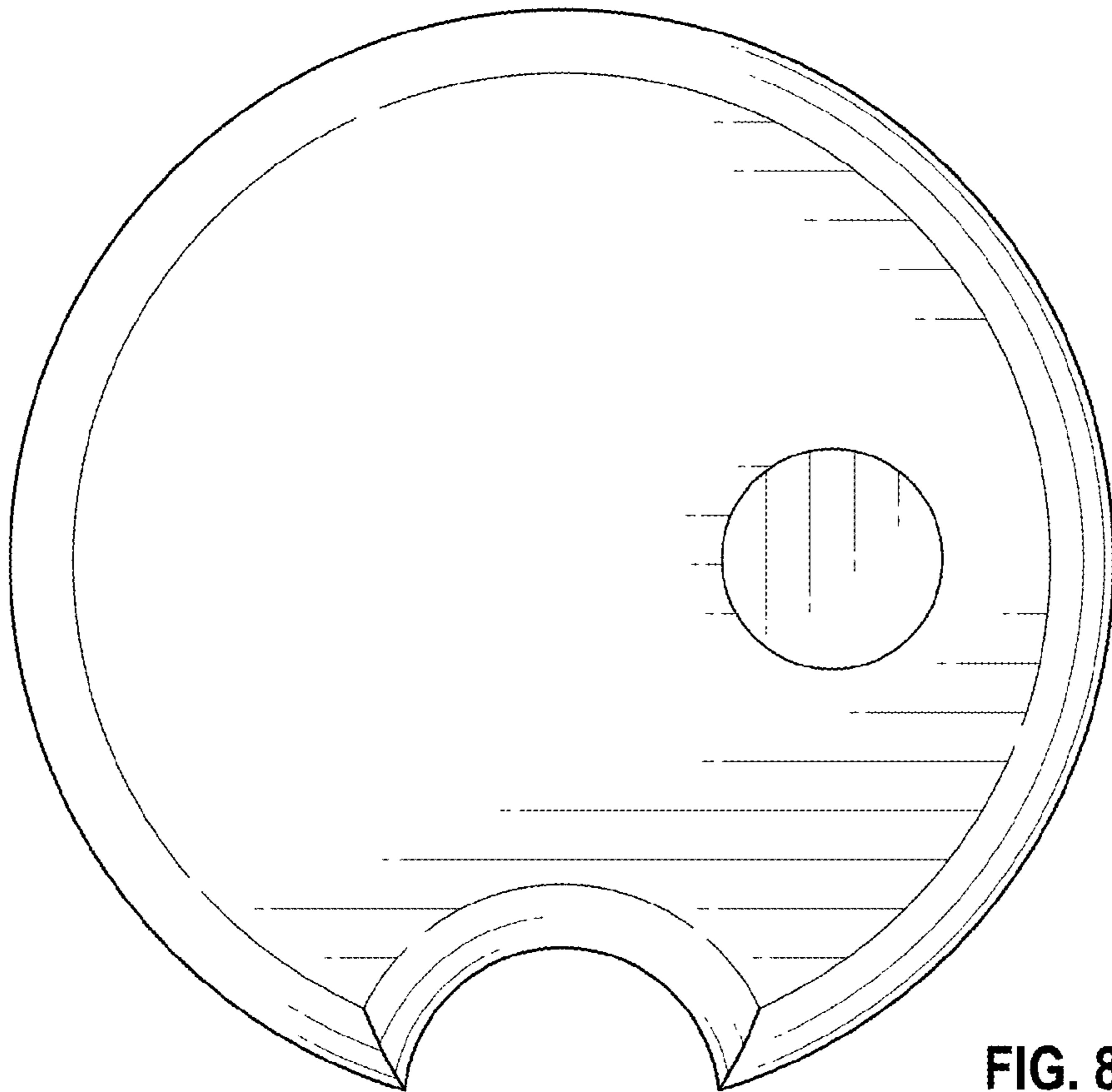


FIG. 8

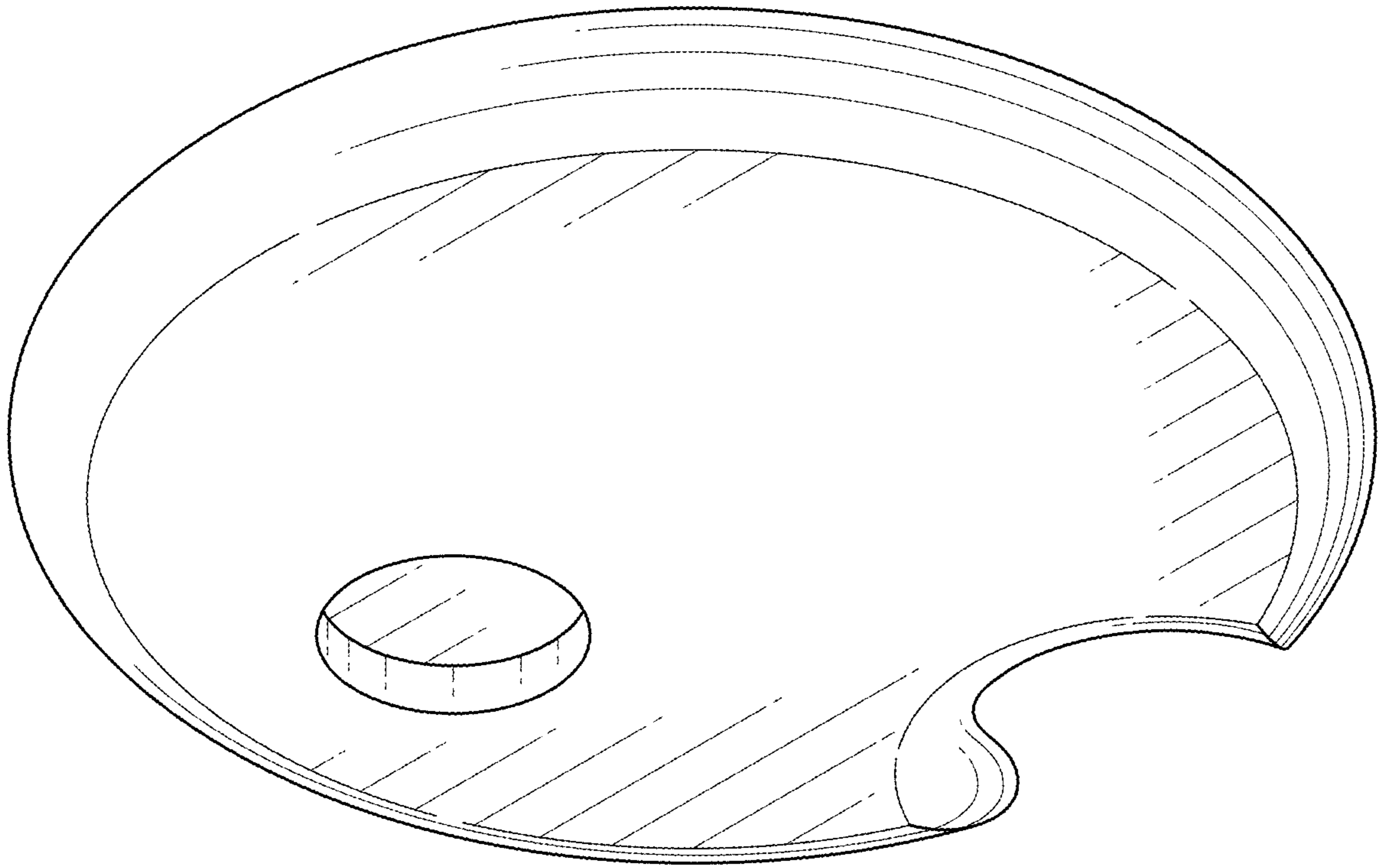


FIG. 9

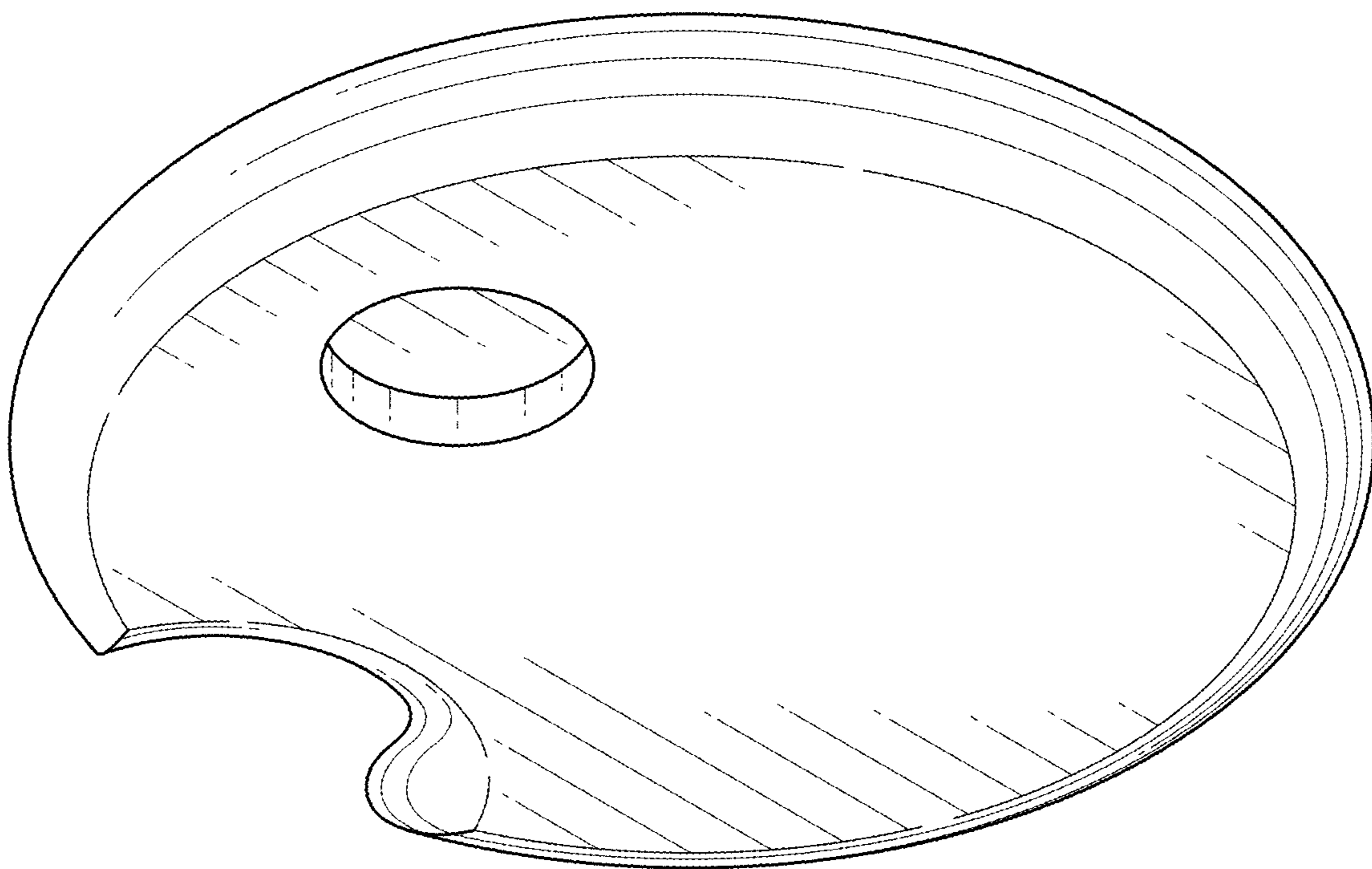


FIG. 10

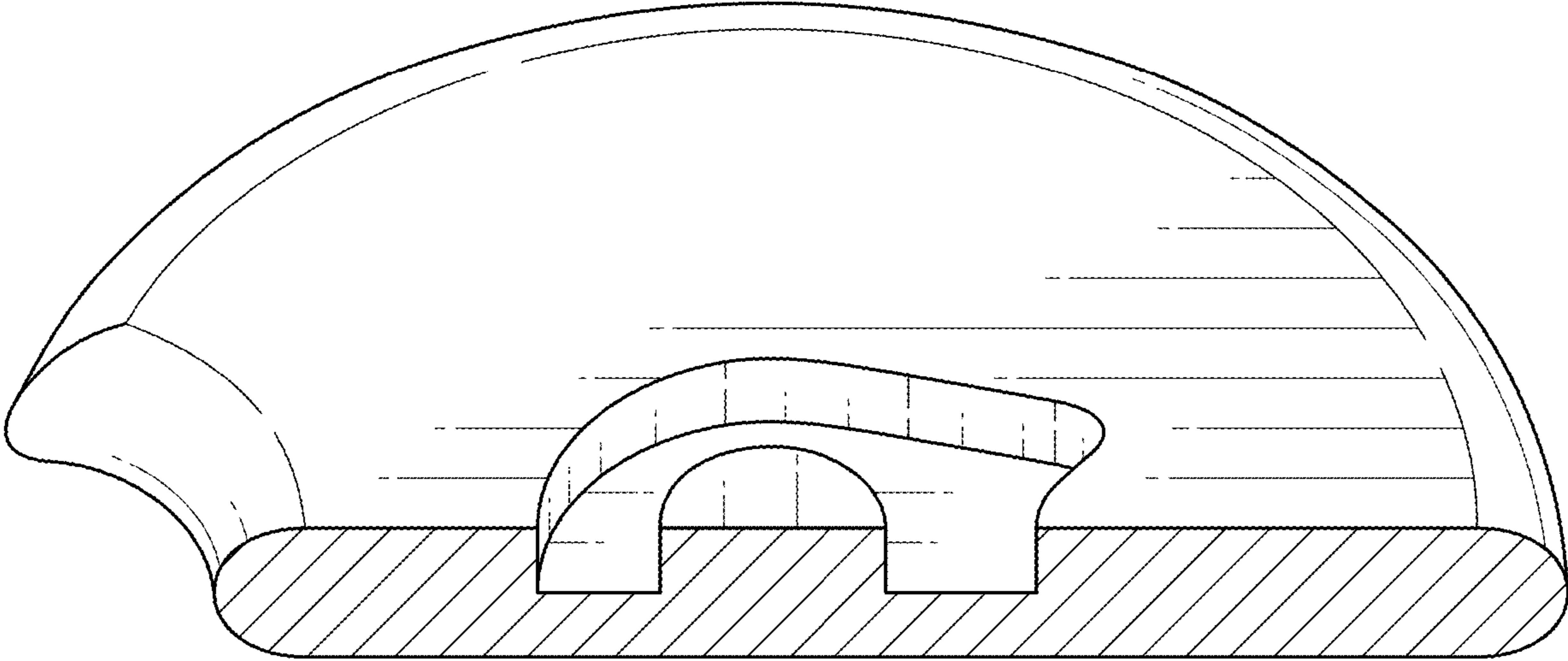


FIG. 11

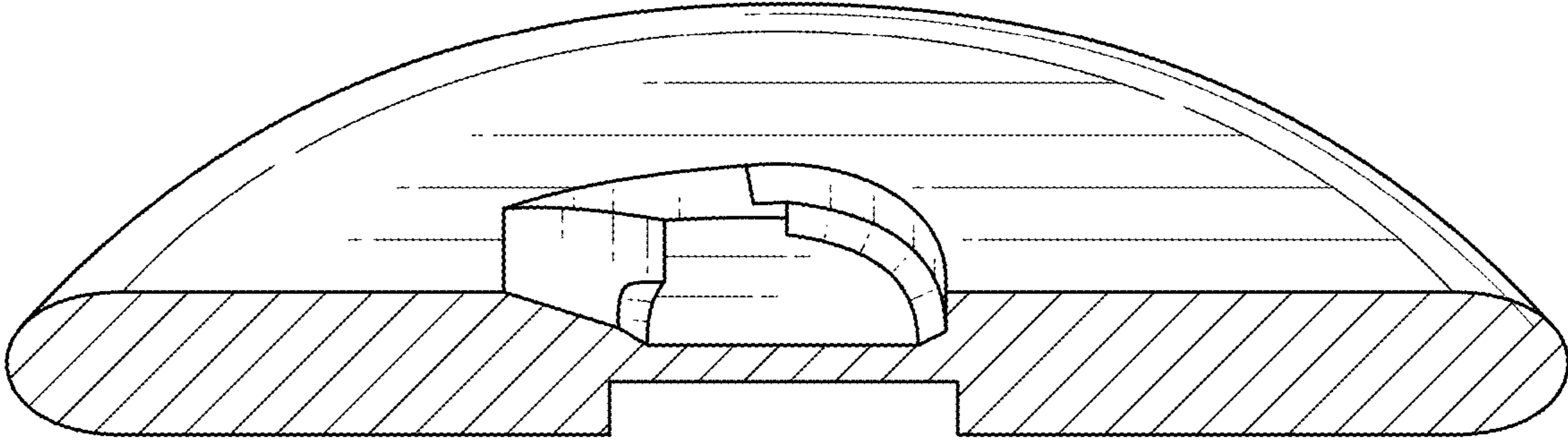


FIG. 12