

US00D935546S

(12) **United States Design Patent**
Xu

(10) **Patent No.:** **US D935,546 S**

(45) **Date of Patent:** **** Nov. 9, 2021**

(54) **INFLATABLE POOL**

(71) Applicant: **Rong Xu, Yiyang (CN)**

(72) Inventor: **Rong Xu, Yiyang (CN)**

(**) Term: **15 Years**

(21) Appl. No.: **29/769,785**

(22) Filed: **Feb. 8, 2021**

(51) **LOC (13) Cl.** **21-03**

(52) **U.S. Cl.**
USPC **D21/815; D21/835**

(58) **Field of Classification Search**
USPC D21/811, 814–816, 835; D25/2
CPC E04H 4/00–0062; E04H 2004/0068; E04H
2004/146; B63B 7/08; A47K 3/06
See application file for complete search history.

(56) **References Cited**

U.S. PATENT DOCUMENTS

2,854,049	A *	9/1958	Wyllie	A62C 35/02 220/565
2,861,277	A *	11/1958	Hermann	E04H 7/30 220/642
3,631,544	A *	1/1972	Tytel	E04H 4/0025 4/506
D224,241	S *	7/1972	Tytel	D21/815
3,710,791	A *	1/1973	Deaton	A61G 11/00 128/205.26
D246,058	S *	10/1977	Burgess et al.	D21/815
D318,895	S *	8/1991	Kuan	D21/816
5,429,437	A *	7/1995	Shaw	F16N 31/006 220/9.2
D404,457	S *	1/1999	Peterson	D21/815
D408,546	S *	4/1999	Carreau	D25/2
D409,707	S *	5/1999	Peterson	D21/815
D425,165	S	5/2000	Klimenko		
6,408,453	B1 *	6/2002	Song	E04H 4/0025 4/499

D478,956	S *	8/2003	Feuer	D21/815
6,606,752	B2 *	8/2003	Marbach	E04H 4/10 4/498
D480,817	S *	10/2003	Carreau	D25/2
6,886,189	B1 *	5/2005	Wu	E04H 4/0025 4/506
D554,729	S *	11/2007	Peterson	D21/815
D556,288	S	11/2007	Robinson		
D725,210	S	3/2015	Anastasia		
D741,436	S *	10/2015	Lin	D21/815
D786,382	S *	5/2017	Lin	D21/815
D787,618	S	5/2017	Hsu		
D788,247	S	5/2017	Lin		
D824,469	S *	7/2018	Mussa	D21/815
D861,109	S	9/2019	He		

(Continued)

Primary Examiner — Mitchell I. Siegel

(74) *Attorney, Agent, or Firm* — Rumit Ranjit Kanakia

(57) **CLAIM**

The ornamental design for a inflatable pool, as shown and described.

DESCRIPTION

FIG. 1 is a front elevational view of a inflatable pool showing my new design;
 FIG. 2 is a rear elevational view thereof; and
 FIG. 3 is a left elevational view thereof;
 FIG. 4 is a right side view thereof;
 FIG. 5 is a top side view thereof;
 FIG. 6 is a bottom plan view thereof;
 FIG. 7 is a perspective view of a inflatable pool showing my new design;
 FIG. 8 is a partial enlarged view of FIG. 1;
 FIG. 9 is a partial enlarged view of FIG. 1; and,
 FIG. 10 is a partial enlarged view of FIG. 7.
 The broken lines in the figures are for the purposes of illustrating portions of the inflatable pool, which form no part of the claimed design.

1 Claim, 10 Drawing Sheets

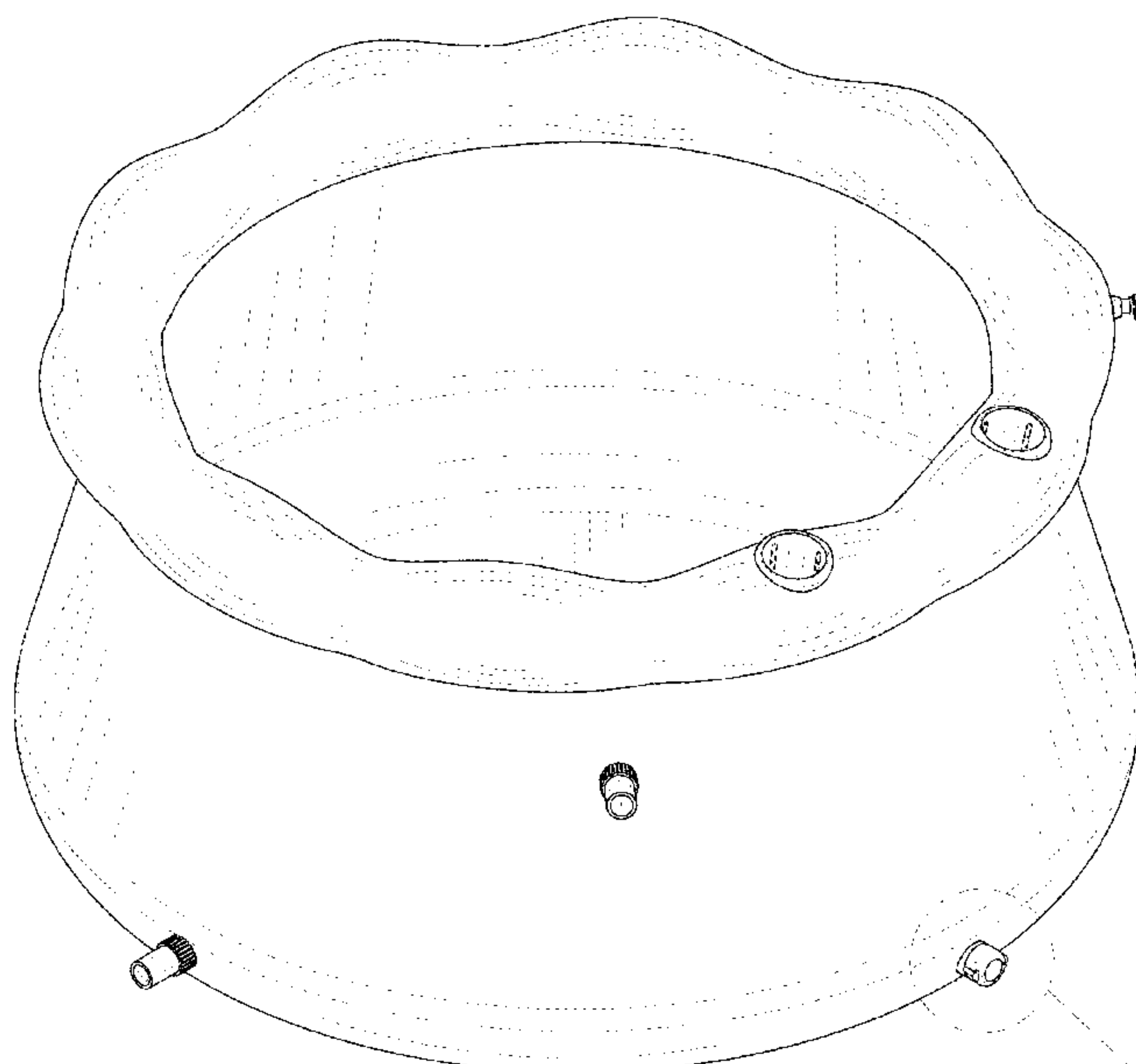


FIG.10

(56)

References Cited

U.S. PATENT DOCUMENTS

D900,267 S * 10/2020 Zhang E04H 4/0025
D21/815
D905,187 S 12/2020 Wang
2002/0100113 A1* 8/2002 Marbach E04H 4/0025
4/506
2003/0154665 A1* 8/2003 Song E04H 4/0025
52/169.7
2006/0162061 A1* 7/2006 Liu E04H 4/0025
4/506
2006/0162062 A1* 7/2006 Liu E04H 4/0025
4/506
2009/0151065 A1* 6/2009 Watson E04H 4/0025
4/503
2010/0294759 A1* 11/2010 Yu E04H 15/006
220/9.3
2014/0020169 A1* 1/2014 Capps E04H 4/14
4/596
2015/0167336 A1* 6/2015 Leung et al. E04H 4/14
4/506
2016/0160518 A1* 6/2016 Fox 4/506
2018/0371775 A1* 12/2018 Huang et al. E04H 4/005

* cited by examiner

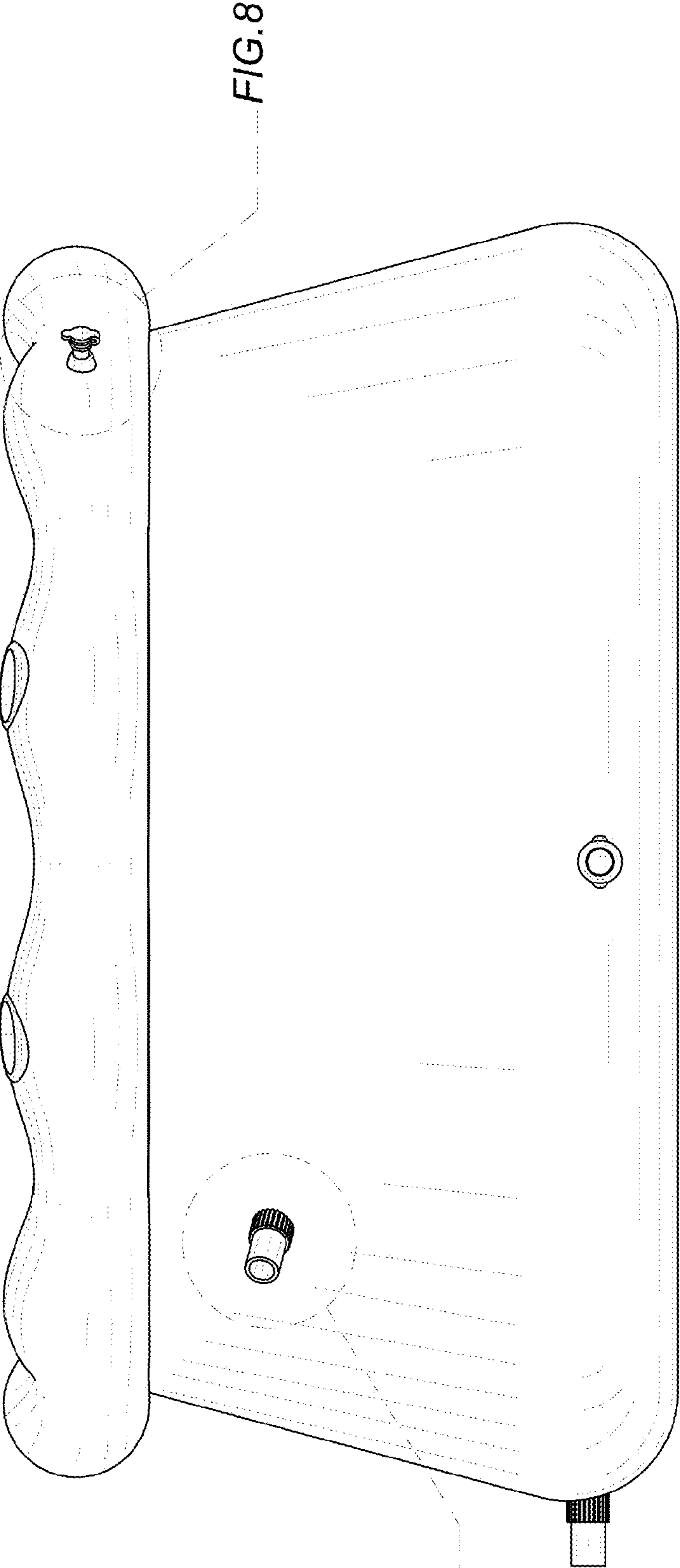


FIG.1

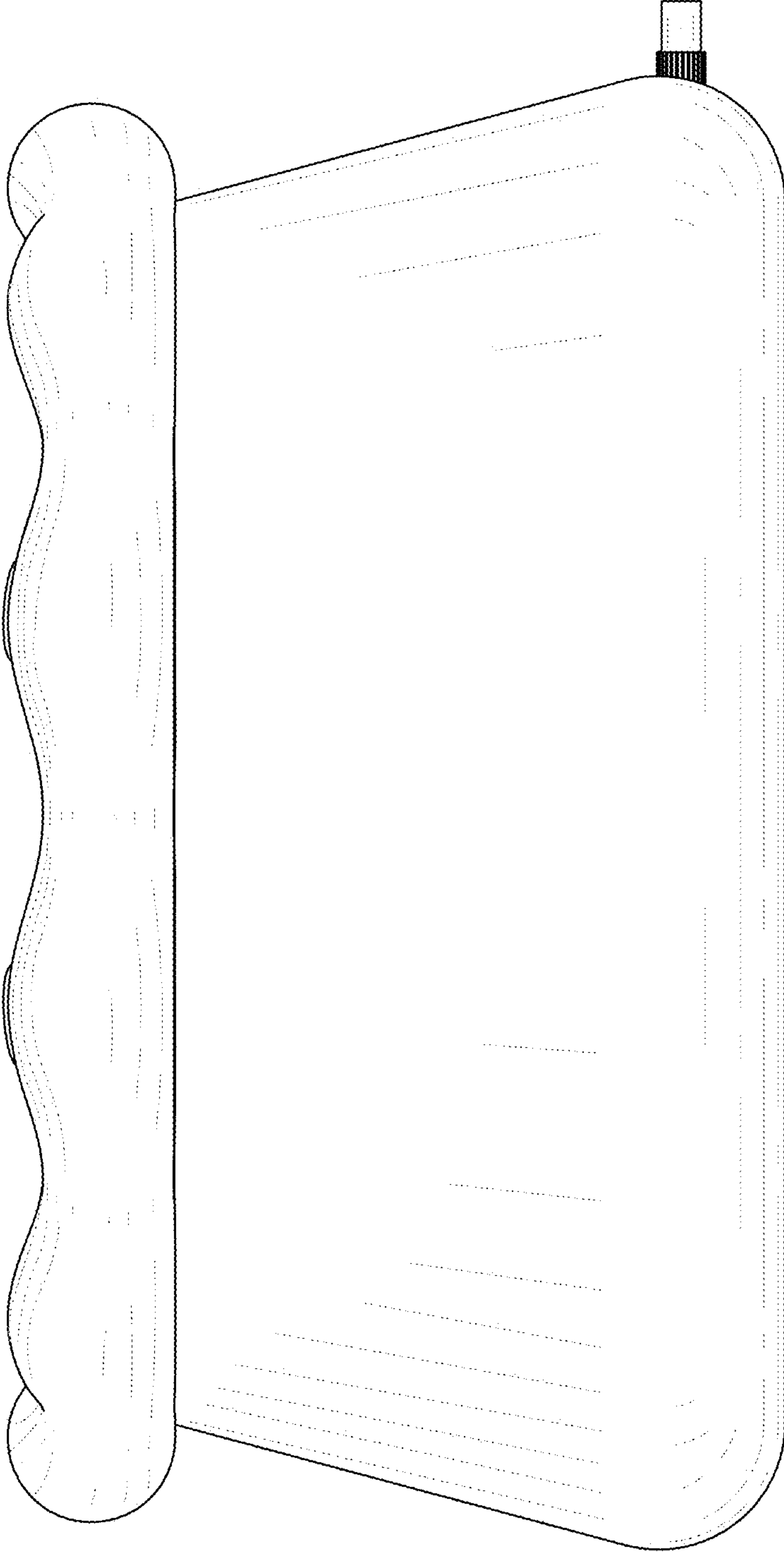


FIG. 2

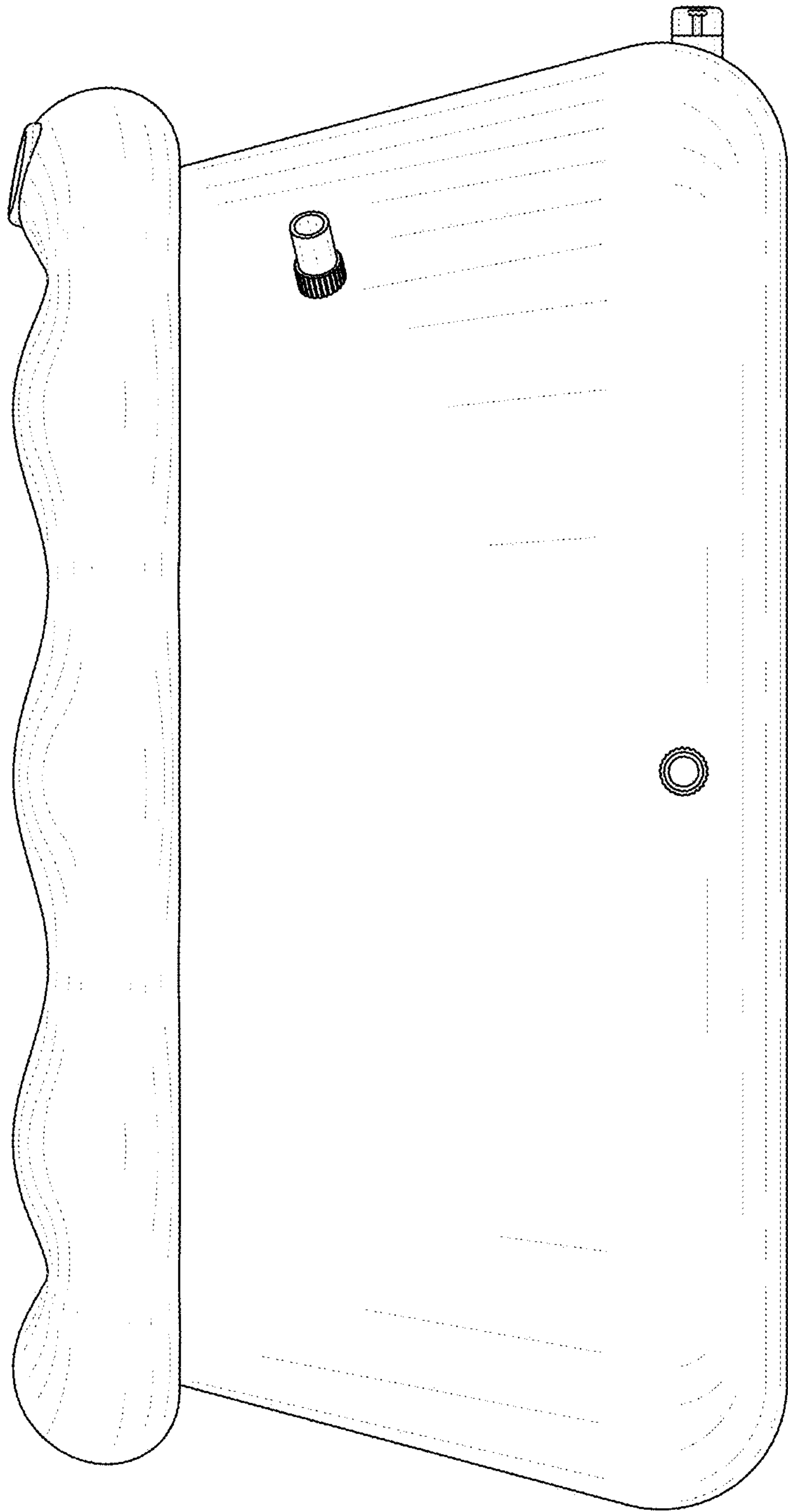


FIG.3

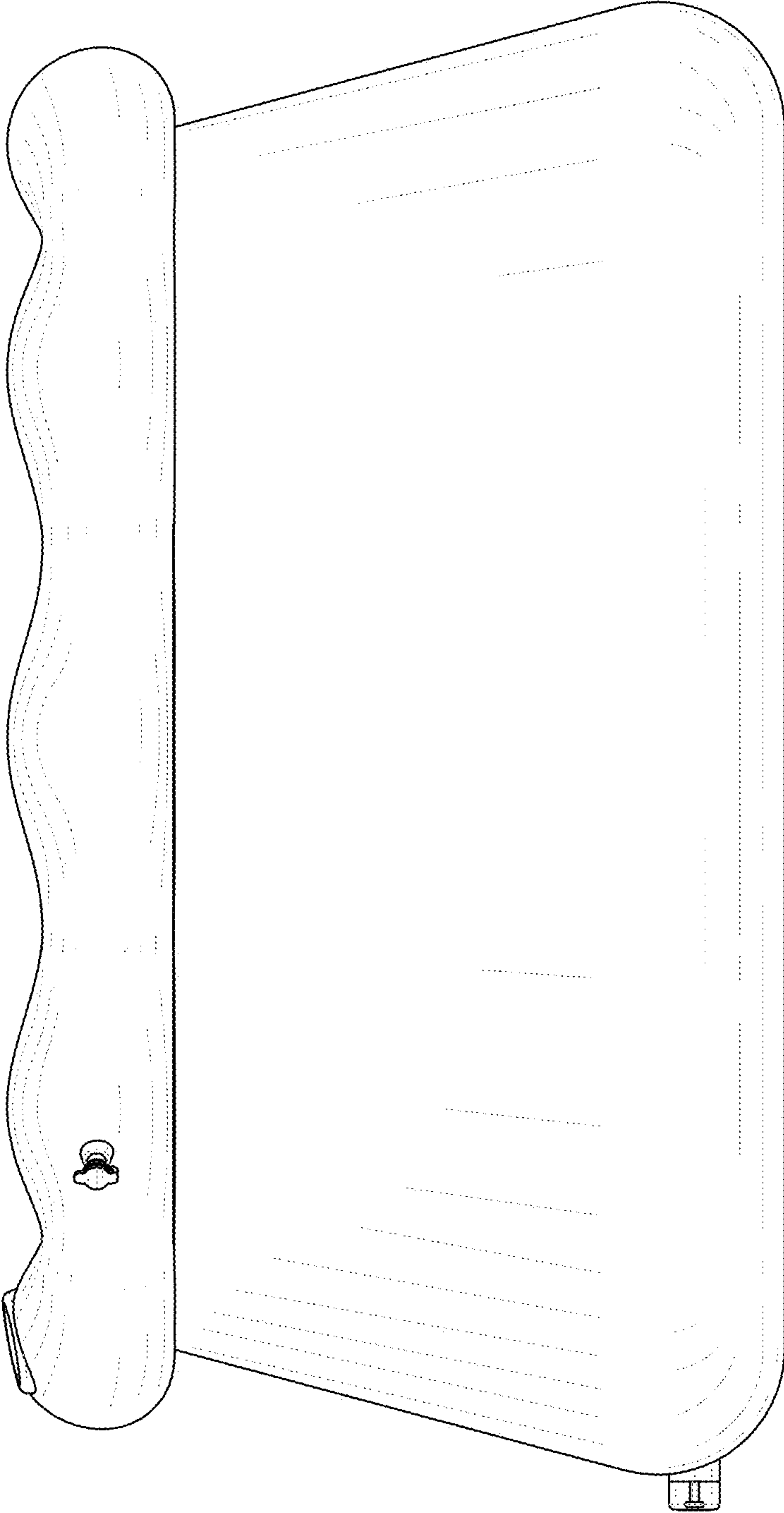


FIG. 4

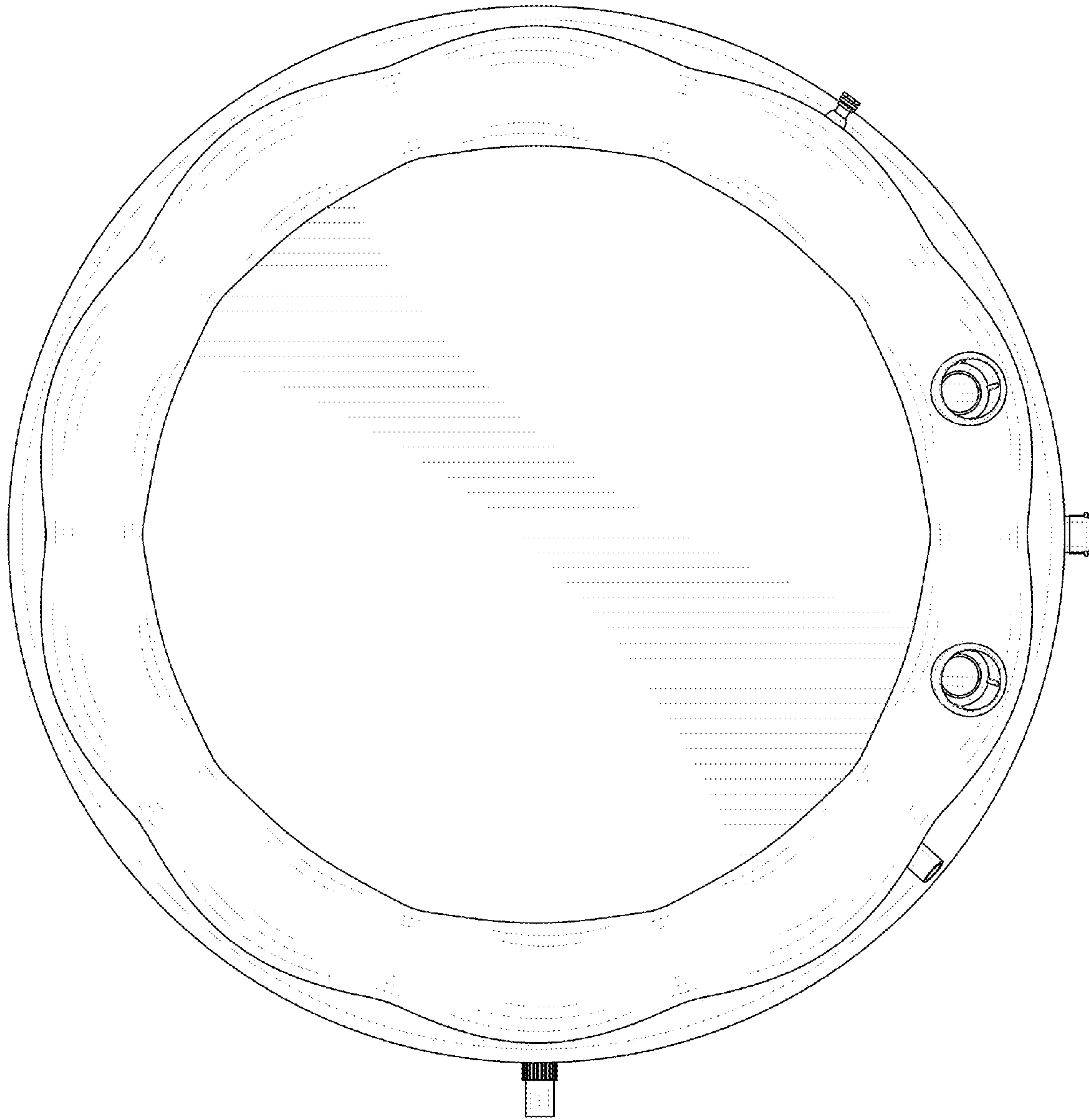
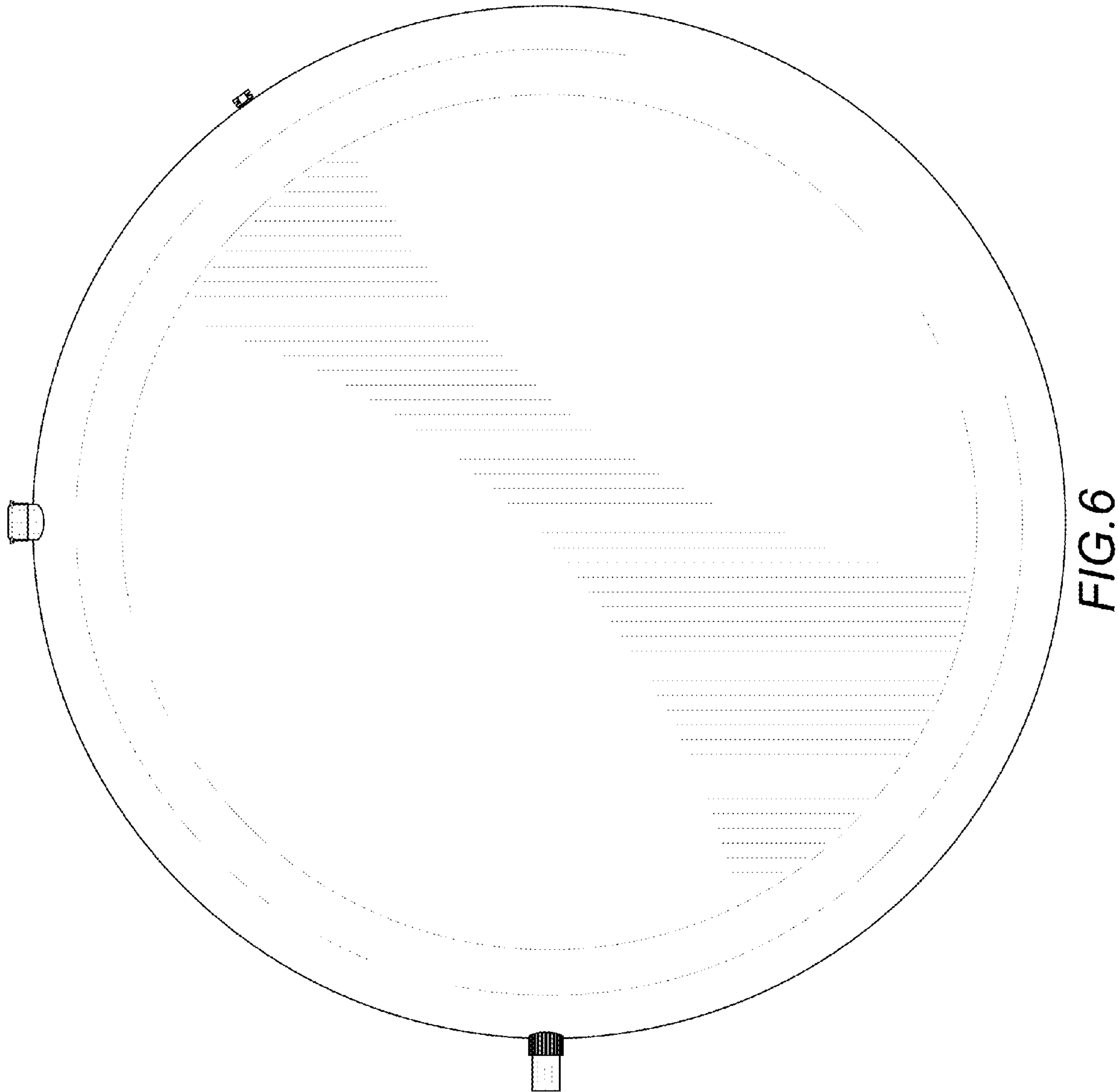


FIG. 5



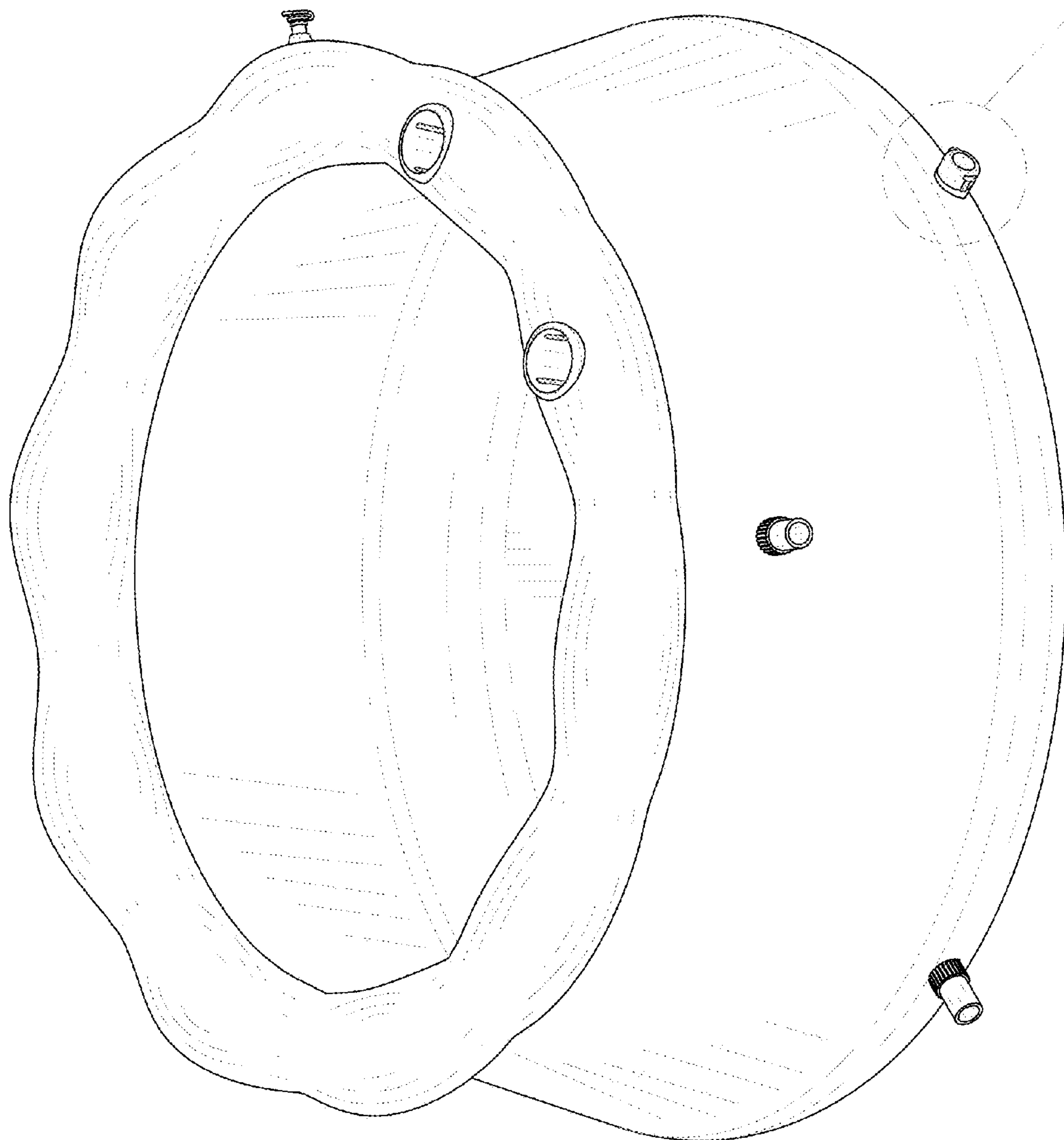


FIG. 10

FIG. 7

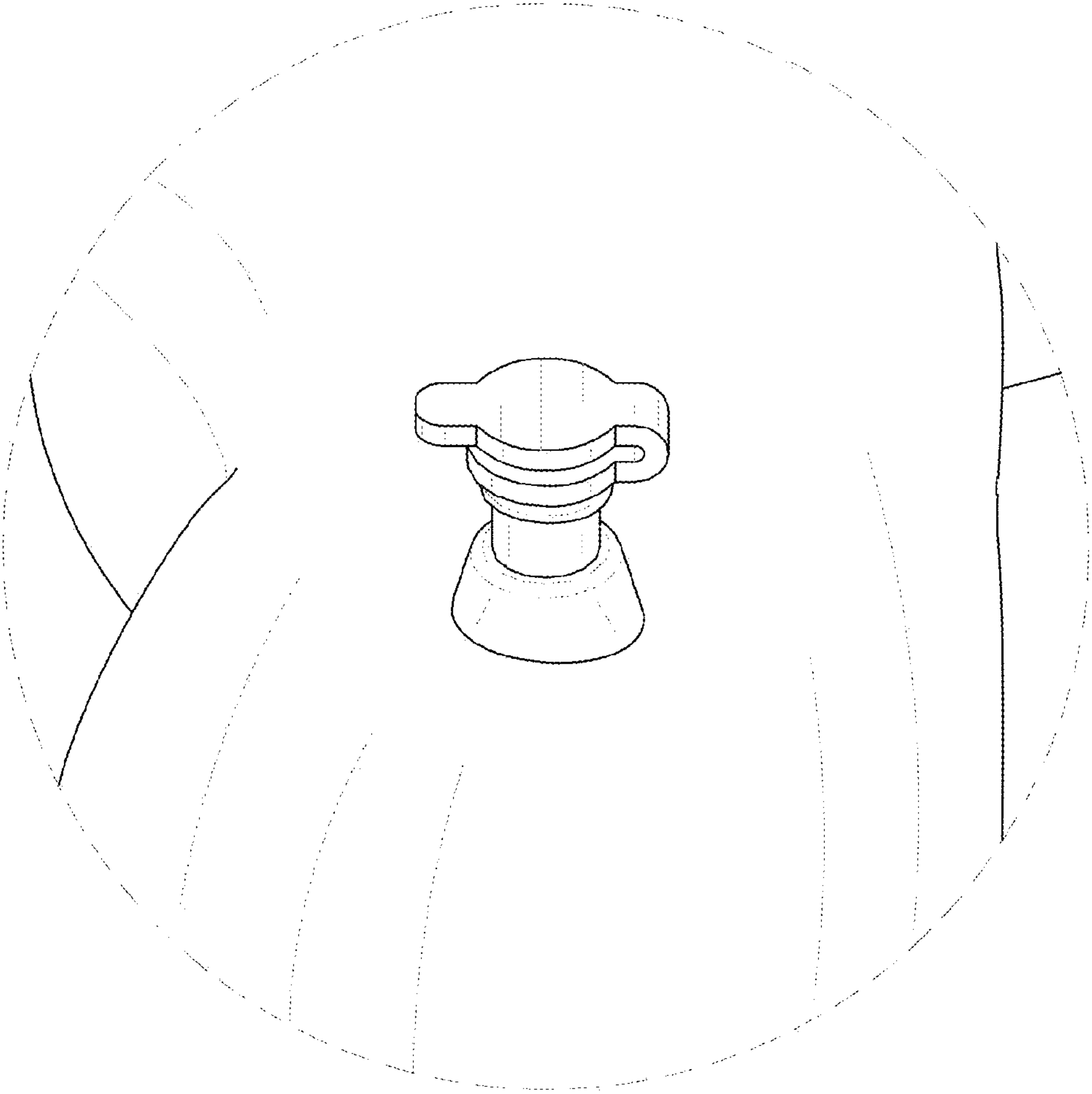


FIG. 8

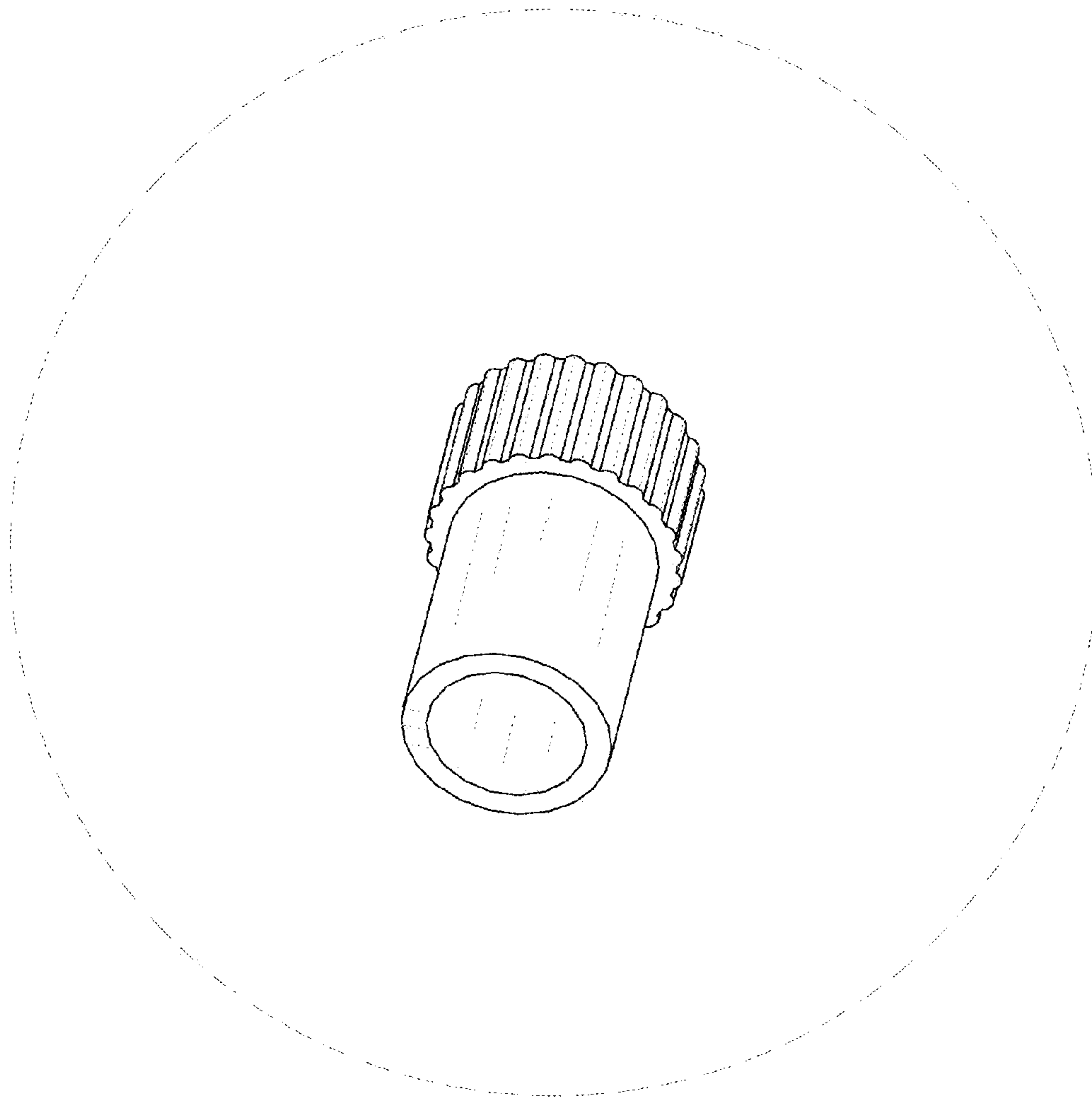


FIG.9

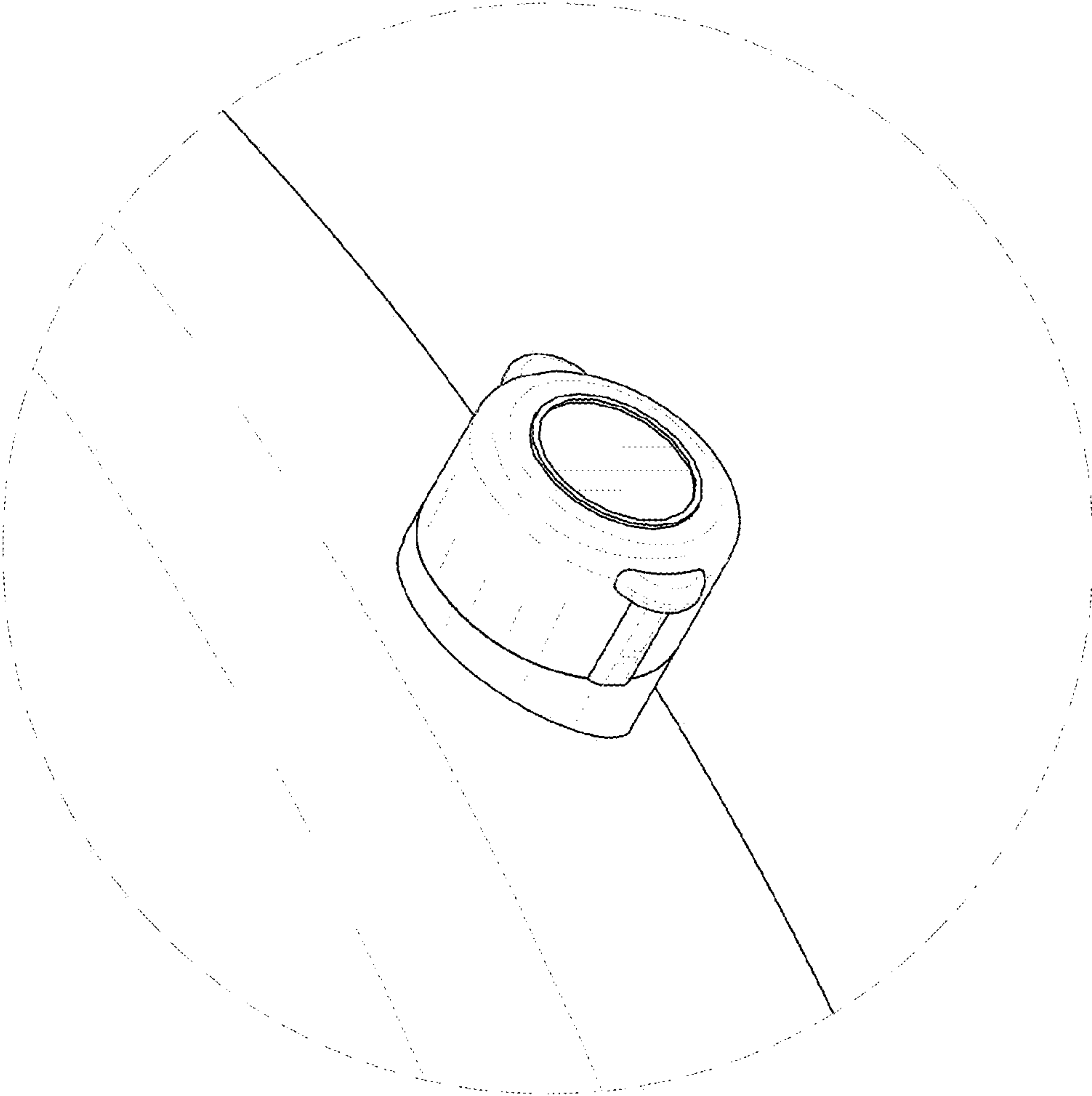


FIG.10