



US00D935545S

(12) **United States Design Patent** (10) **Patent No.:** **US D935,545 S**  
**Wang** (45) **Date of Patent:** **\*\* Nov. 9, 2021**

(54) **SHIP-SHAPED TOY GAME NET**  
(71) Applicant: **Hongjuan Wang**, Guangdong (CN)  
(72) Inventor: **Hongjuan Wang**, Guangdong (CN)  
(\*\*) Term: **15 Years**

D652,883 S \* 1/2012 VanElverdinghe ..... D21/803  
D703,971 S 5/2014 Parisi et al.  
D839,981 S \* 2/2019 Czane ..... D21/799.1  
2008/0293519 A1\* 11/2008 Im ..... A63B 61/00  
473/421  
2014/0171232 A1\* 6/2014 Carney ..... A63B 63/004  
473/477

(Continued)

(21) Appl. No.: **29/756,506**  
(22) Filed: **Oct. 29, 2020**  
(51) **LOC (13) Cl.** ..... **21-02**  
(52) **U.S. Cl.**  
USPC ..... **D21/799.1; D21/542; D21/808**  
(58) **Field of Classification Search**  
USPC ..... D21/300–306, 398, 440, 473, 698, 699,  
D21/705, 799.1, 799.2, 801, 803, 808,  
D21/809, 542, 543, 546, 715, 720, 785;  
D6/552; 273/348, 350, 398, 400–402,  
273/404, 407, 408  
CPC ..... A63F 2009/0026; A63F 2009/0083; A63F  
2009/0086; A63F 2009/0213; A63F  
2250/205; A63B 63/00; A63B 63/007;  
A63B 2063/002; A63B 2063/06; A63B  
2063/08; A63B 2063/083; A63H 23/00;  
A63H 23/10; A63H 23/16; A63H 27/10;  
A63H 2027/1075  
See application file for complete search history.

**FOREIGN PATENT DOCUMENTS**

CN 302243780 \* 12/2012  
CN 305189734 \* 5/2019

(Continued)

**OTHER PUBLICATIONS**

MeiGuiSha Swimming Pool Volleyball Set—Water Game 2021 Edition-Inflatable Volleyball Net featured on webpage: <[https://www.amazon.com/MeiGuiSha-Volleyball-Inflatable-Included-Competitive/dp/B08X4B7R6R/ref=sr\\_1\\_24?dchild=1&keywords=Volleyball+Net+for+Pool&qid=1620176931&sr=8-24](https://www.amazon.com/MeiGuiSha-Volleyball-Inflatable-Included-Competitive/dp/B08X4B7R6R/ref=sr_1_24?dchild=1&keywords=Volleyball+Net+for+Pool&qid=1620176931&sr=8-24)> [accessed May 4, 2021] (Year: 2021).\*

(Continued)

*Primary Examiner* — Catherine A Tuttle

(57) **CLAIM**

The ornamental design for a ship-shaped toy game net, as shown and described.

**DESCRIPTION**

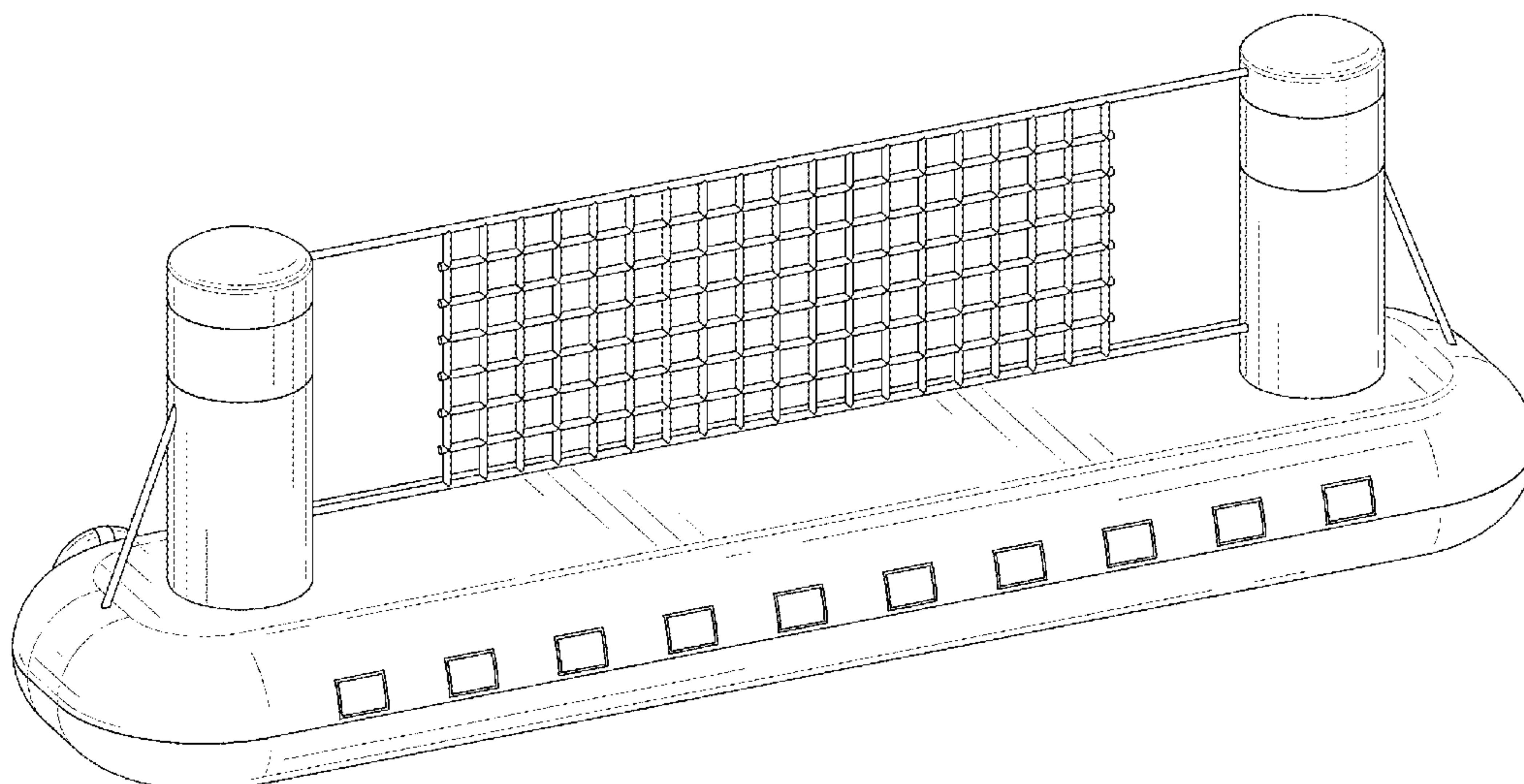
FIG. 1 is a front and top perspective view of a ship-shaped toy game net, showing my new design;  
FIG. 2 is a rear and bottom perspective view thereof;  
FIG. 3 is a front elevational view thereof;  
FIG. 4 is a rear elevational view thereof;  
FIG. 5 is a left side elevational view thereof;  
FIG. 6 is a right side elevational view thereof;  
FIG. 7 is a top plan view thereof; and,  
FIG. 8 is a bottom plan view thereof.

**1 Claim, 8 Drawing Sheets**

(56) **References Cited**

**U.S. PATENT DOCUMENTS**

1,235,771 A \* 8/1917 Dettra ..... F41J 5/26  
273/380  
D82,073 S \* 9/1930 Baxter ..... D21/542  
D141,005 S \* 4/1945 Drescher ..... D21/542  
D145,142 S \* 7/1946 Overath ..... D21/542  
D209,295 S \* 11/1967 Grimes ..... D6/552  
3,895,801 A \* 7/1975 Baird ..... A63B 63/00  
273/350  
4,955,843 A \* 9/1990 Bolanos ..... A63H 23/00  
446/160  
D435,078 S \* 12/2000 Hsu ..... D21/799.1  
D481,436 S \* 10/2003 Peterson ..... D21/803



(56)

**References Cited**

U.S. PATENT DOCUMENTS

2018/0001171 A1\* 1/2018 Zavracky ..... A63B 63/007

FOREIGN PATENT DOCUMENTS

CN	210251091	U	*	4/2020	.....	A63B 61/02
DE	29502733	U1	*	4/1995	.....	A63B 63/00
EM	007193966-0001		*	12/2019		
FR	2858802	A1	*	2/2005	.....	A63B 71/02
JP	D1145167		*	7/2002		

OTHER PUBLICATIONS

Intex—58502NP—Jeu de Plein Air—Filet Volley-ball Flottant featured on webpage: <<https://www.amazon.fr/INTEX-58502NP-Plein-Volley-ball-Flottant/dp/B00005BPIO>> Date first available on Amazon. Fr: Feb. 19, 2009 [Accessed May 4, 2021] (Year: 2021).\*

Inflatable Pool Float Set Volleyball Net & Basketball Hoops featured on webpage: <<https://www.amazon.com/Inflatable-Volleyball->

Basketball-Included-Swimming/dp/B07Q8JC9X4> Date First Available: Mar. 27, 2019 [accessed May 4, 2021] (Year: 2021).\*

Intex Pool Volleyball Game, 94" X 25" X 36 featured on webpage: <<https://www.amazon.ca/Intex-Pool-Volleyball-Game-Ages/dp/B002V1H0W2>> Date first available: Apr. 6, 2012 [Accessed May 4, 2021] (Year: 2021).\*

MezoJaoie Inflatable Pool Volleyball Playset with Adjustable Net featured on webpage: <<https://www.amazon.de/MezoJaoie-Pool-Volleyball-Spielset-verstellbarem-Wasser-Volleyball-Spiel-Schwimmbadespielzeug/dp/B088H25QDM>> Product first available: May 12, 2020 [Accessed May 8, 2021] (Year: 2021).\*

IBaseToy Inflatable Pool Volleyball Game Set with Adjustable Net. Featured on webpage: <<https://www.amazon.de/-/en/iBaseToy-Inflatable-Volleyball-Adjustable-Floating/dp/B07MZLTRGP>> Date first available: Jan. 22, 2019 [Accessed May 8, 2021] (Year: 2021).\*

Children's water game ball rack shown on webpage: <<https://www.ebuy7.com/item/children-water-game-ball-rack-inflatable-volleyball-net-set-ring-basketball-stand-football-box-handball-goal-baby-water-toy-551753053515>> [Accessed May 8, 2021] (Year: 2021).\*

\* cited by examiner

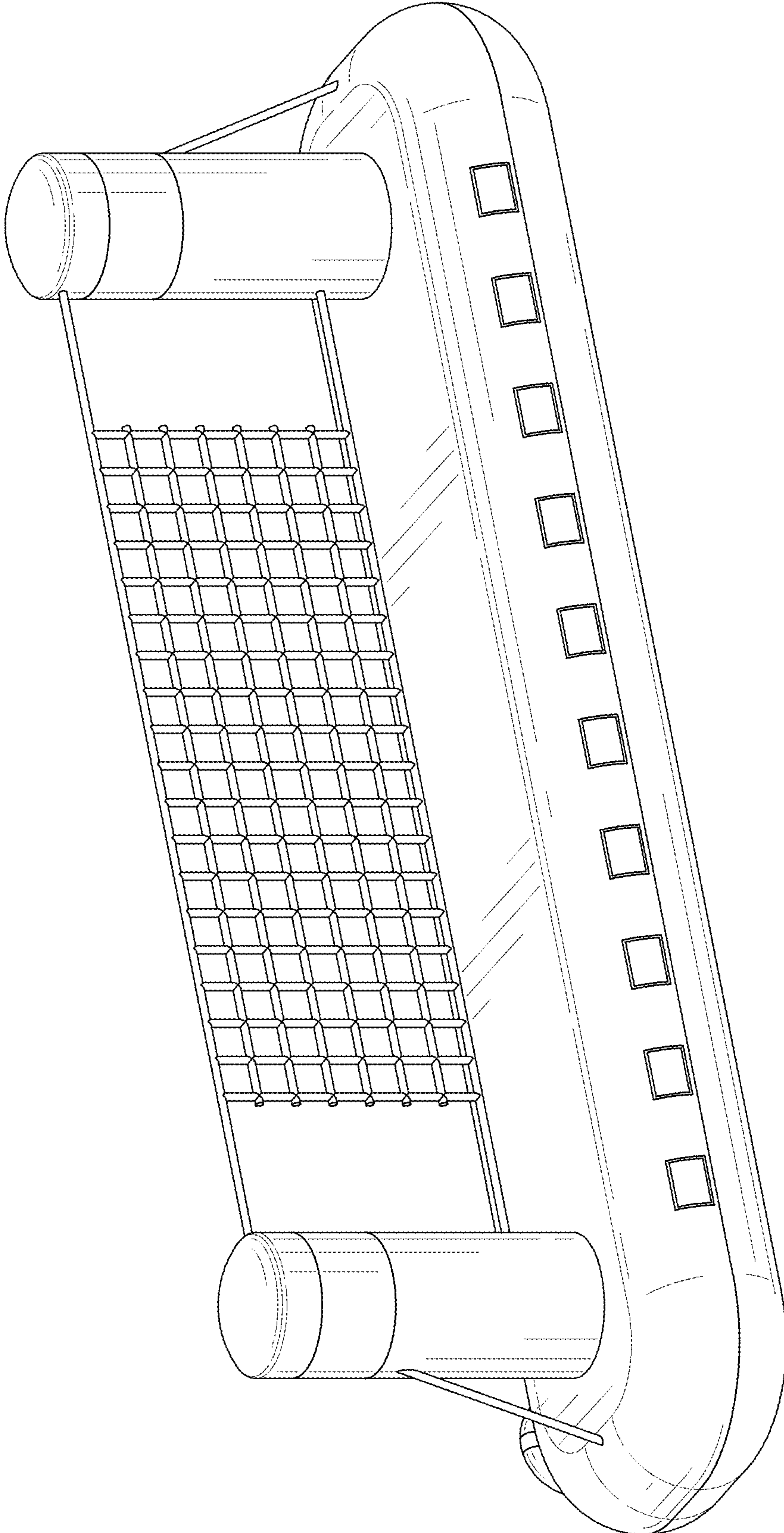


FIG. 1



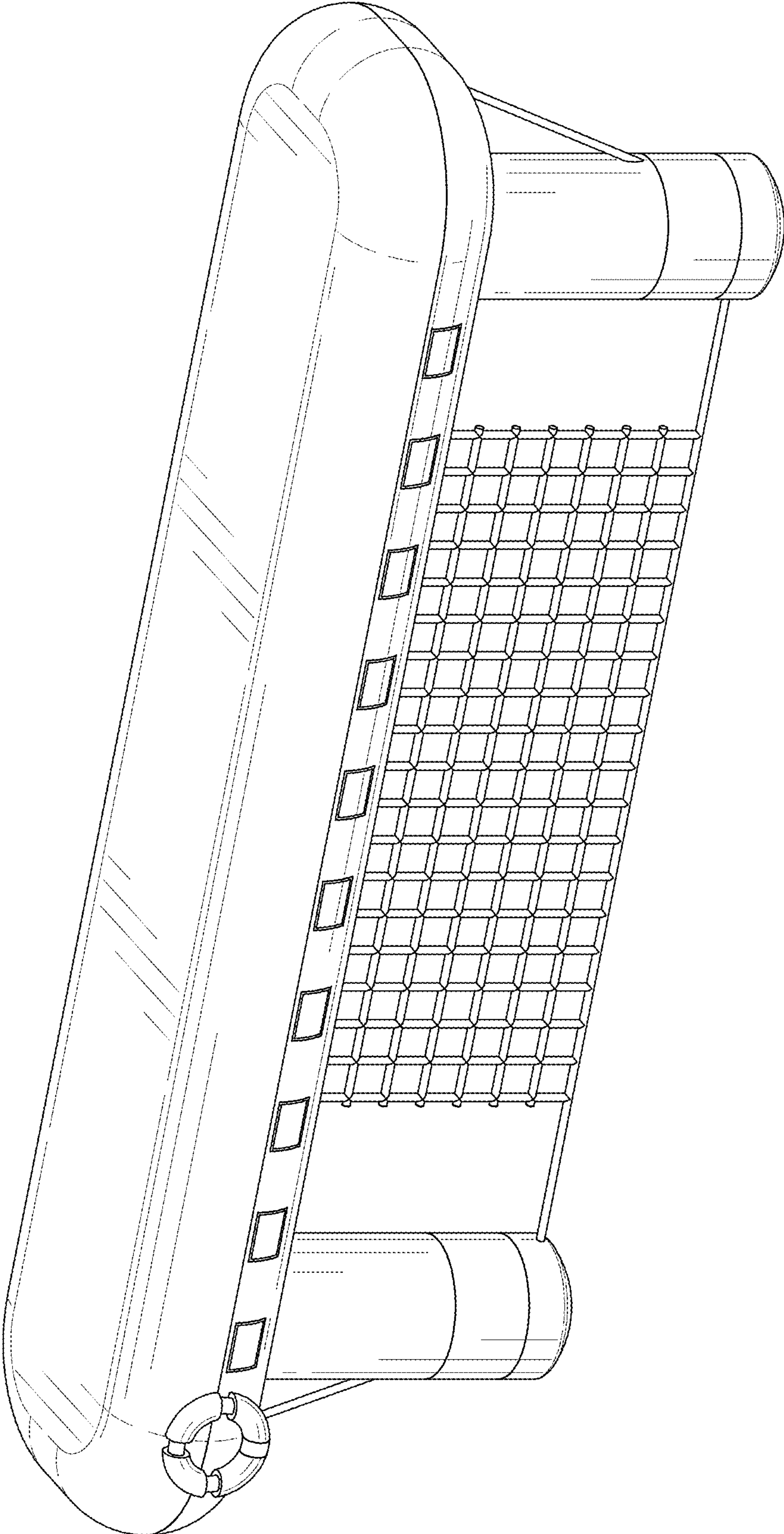


FIG. 2

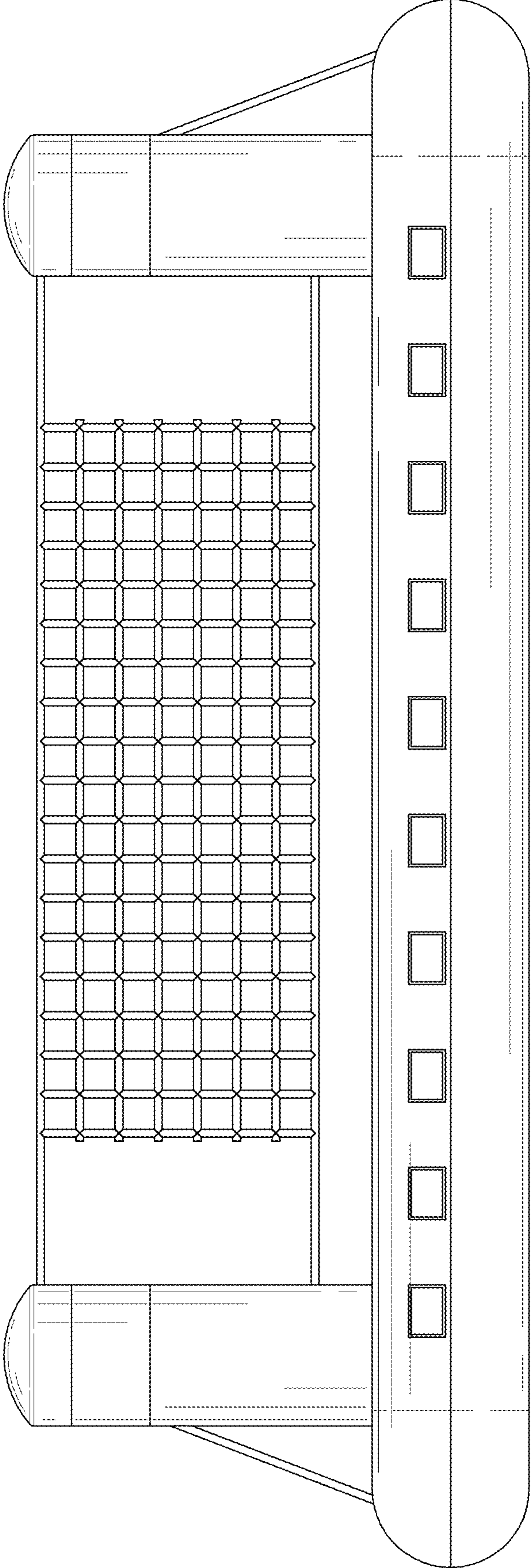


FIG. 3

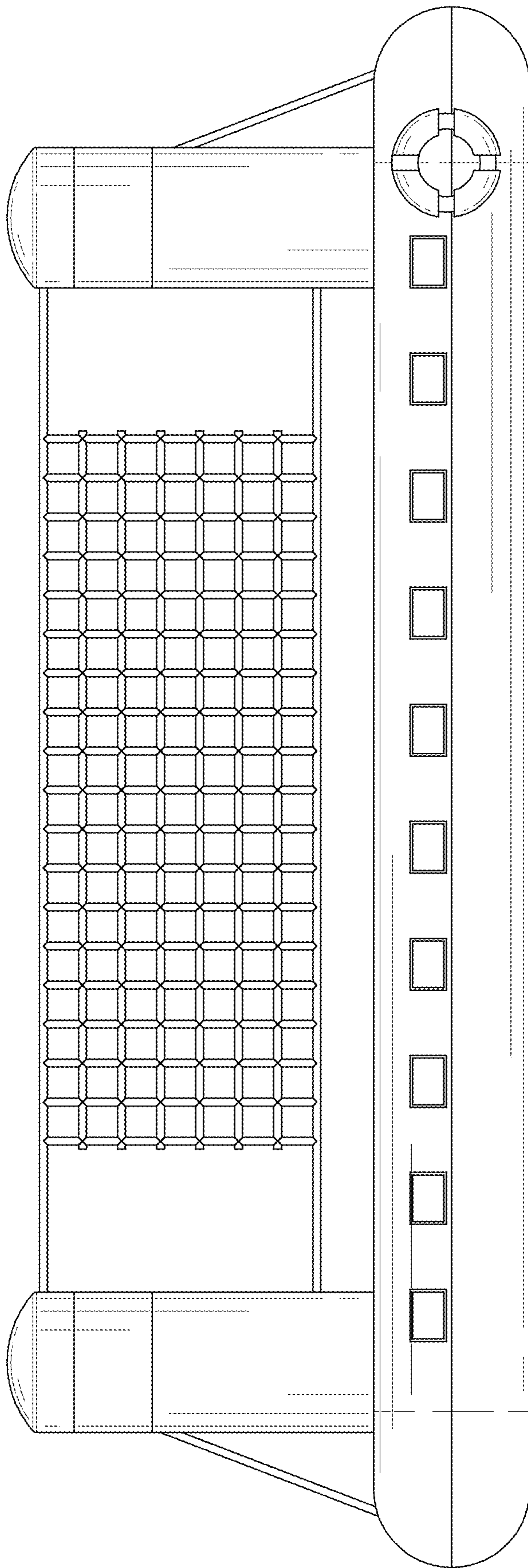


FIG. 4

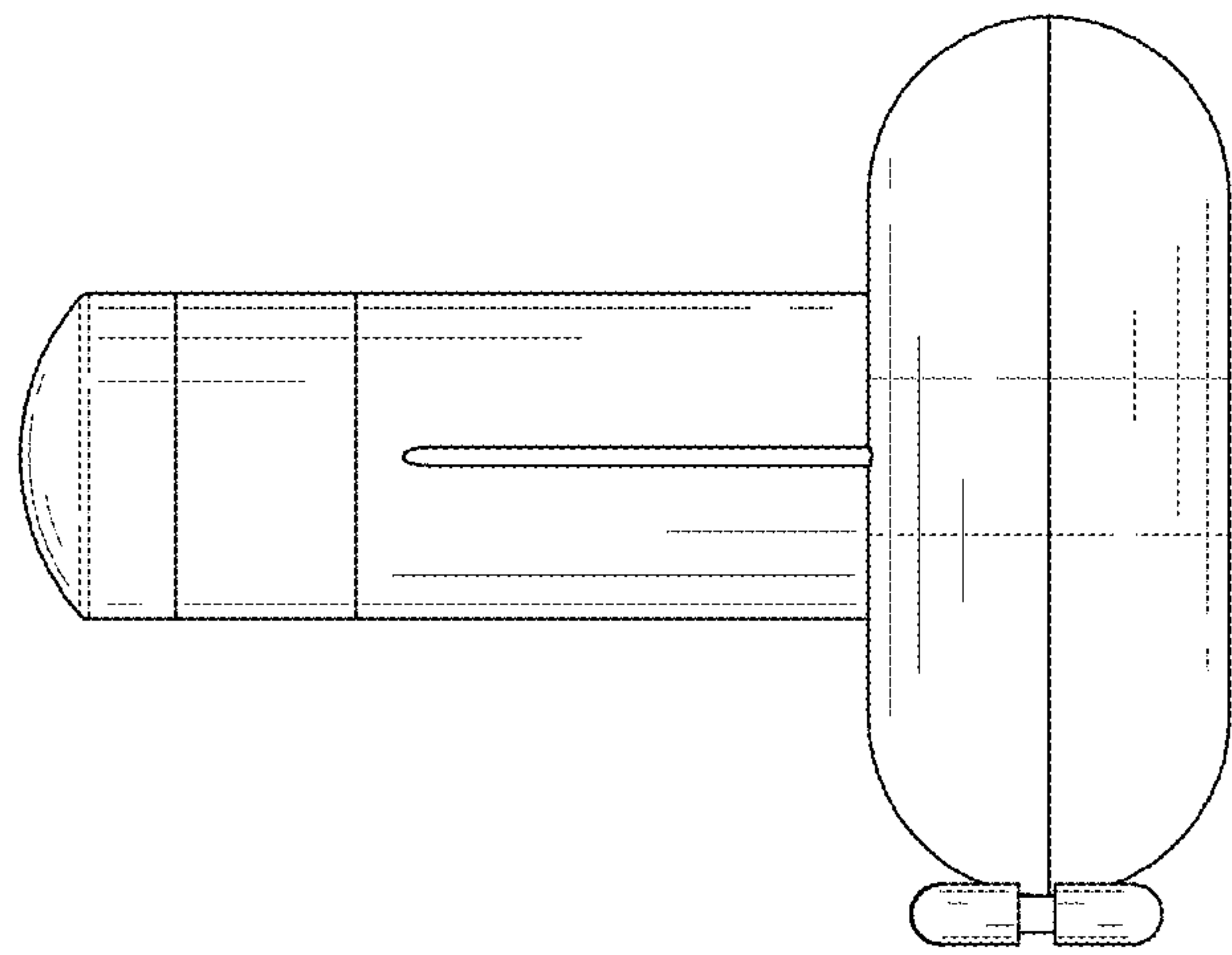


FIG. 5

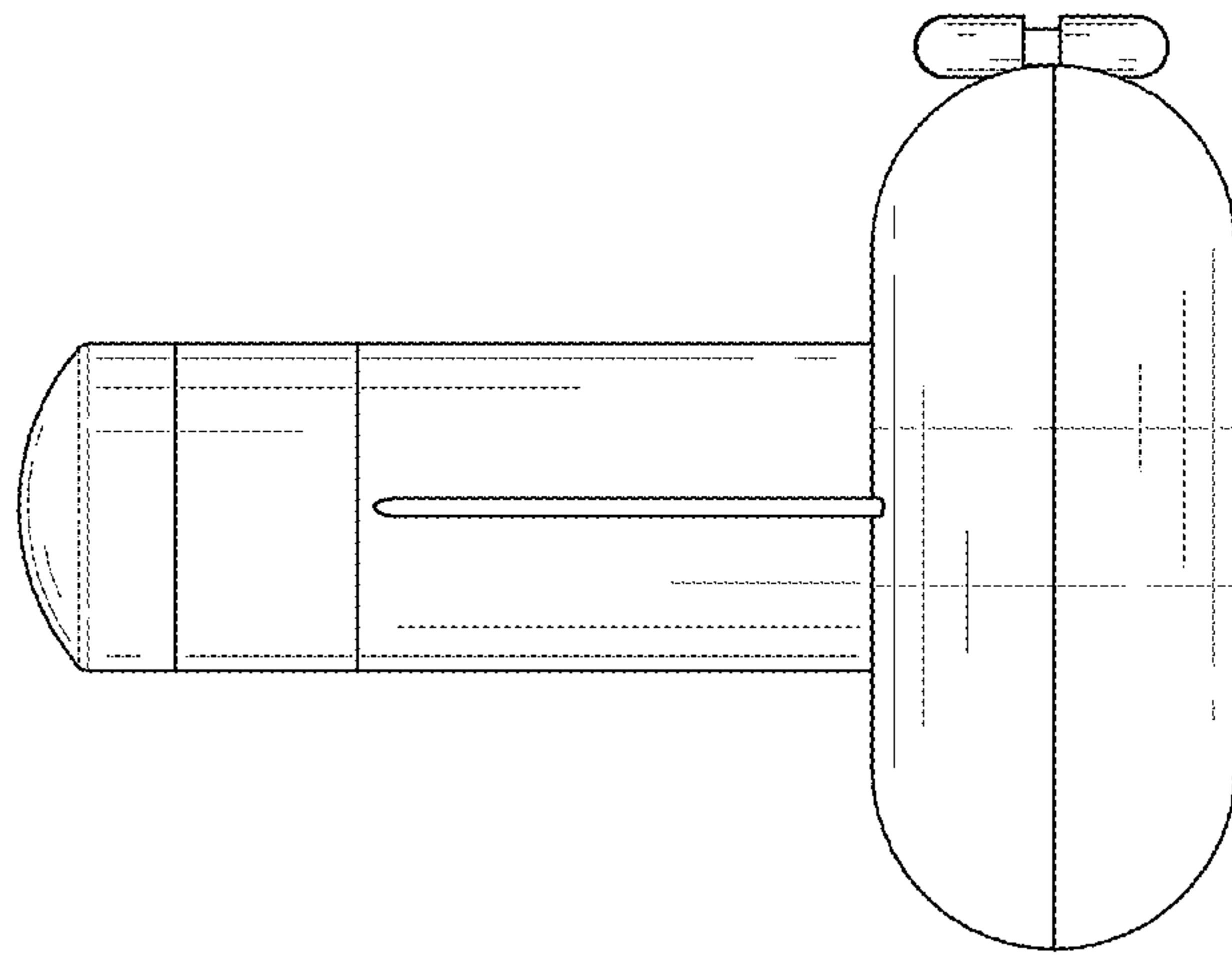


FIG. 6



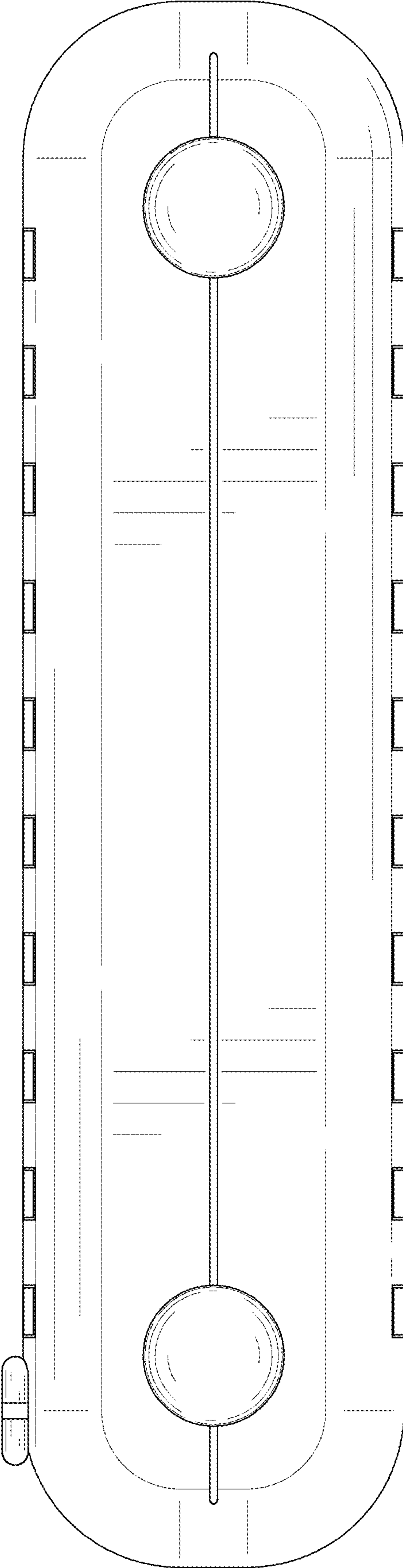


FIG. 7

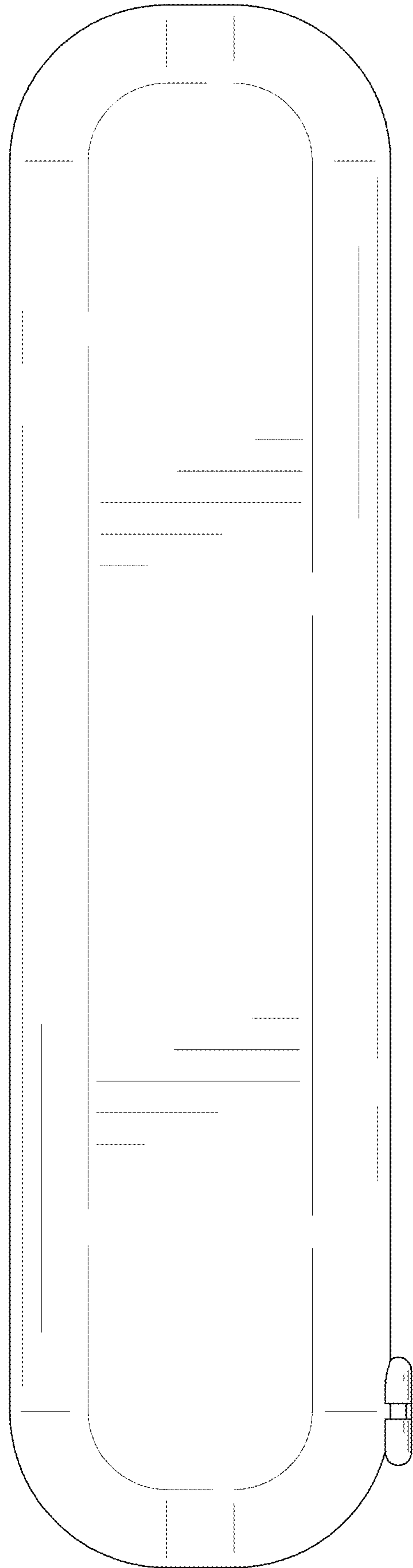


FIG. 8