



US00D935543S

(12) **United States Design Patent** (10) **Patent No.:** **US D935,543 S**
Vilhelmsen (45) **Date of Patent:** **** Nov. 9, 2021**

(54) **TEE POINTER**
(71) Applicant: **Kurt Vilhelmsen**, Buckley, WA (US)
(72) Inventor: **Kurt Vilhelmsen**, Buckley, WA (US)
(**) Term: **15 Years**
(21) Appl. No.: **29/697,466**

(22) Filed: **Jul. 9, 2019**
(51) **LOC (13) Cl.** **21-02**
(52) **U.S. Cl.**
USPC **D21/791**
(58) **Field of Classification Search**
USPC D21/717, 718, 789, 791
CPC A63B 57/10-203; A63B 47/00-001; A63B
57/00; A63B 57/30; A63B 57/35
See application file for complete search history.

(56) **References Cited**

U.S. PATENT DOCUMENTS

1,484,064 A * 2/1924 Taylor A63B 57/00
473/218
1,596,110 A * 8/1926 Lynch A63B 57/10
473/218
2,128,049 A 8/1938 Karkoska
2,165,479 A * 7/1939 Hallberg A63B 57/19
473/257
D158,622 S * 5/1950 Sherwin D21/791
2,710,757 A * 6/1955 Chong A63B 69/36
473/257
3,347,551 A * 10/1967 Dreyfus A63B 57/10
473/257
3,883,144 A * 5/1975 Lazow A63B 57/10
473/218
4,181,300 A 1/1980 Bradley
4,181,311 A * 1/1980 Lawlor A63B 57/19
473/257
D293,261 S * 12/1987 Sadowski D21/794
D306,194 S * 2/1990 Sadowski D21/718
D307,929 S * 5/1990 Parkerson D21/791
5,437,448 A * 8/1995 Balson A63B 57/10
473/257

5,437,488 A 8/1995 Balson
D411,276 S * 6/1999 Rosenfeld D21/789
D428,954 S * 8/2000 Tate D21/793
D490,133 S * 5/2004 Hadala D21/717
6,769,999 B1 * 8/2004 Chase A63B 57/19
473/386
D516,657 S * 3/2006 Caramico D21/793
7,052,416 B2 * 5/2006 Chang A63B 57/15
473/396
D583,893 S * 12/2008 Ruff D21/794

(Continued)

OTHER PUBLICATIONS

Unique Golf Clip Tee: TradeKorea(May 24, 2019) https://www.google.com/imgres?imgurl=http://web.tradekorea.com/product/911/887911/Unique%2520Golf%2520Clip%2520Tee_3.jpg&imgrefurl=https://www.tradekorea.com/product/detail/P515527/Unique-Golf-Clip-Tee.html&tbnid=6O7M4BIZWp9tiM&vet=1&docid=DrHr-sjo0Dr8mM&w=700&h=718&source=sh/x/im.

Primary Examiner — Mitchell I. Siegel
(74) *Attorney, Agent, or Firm* — Dean A Craine; Marisa C Whitaker

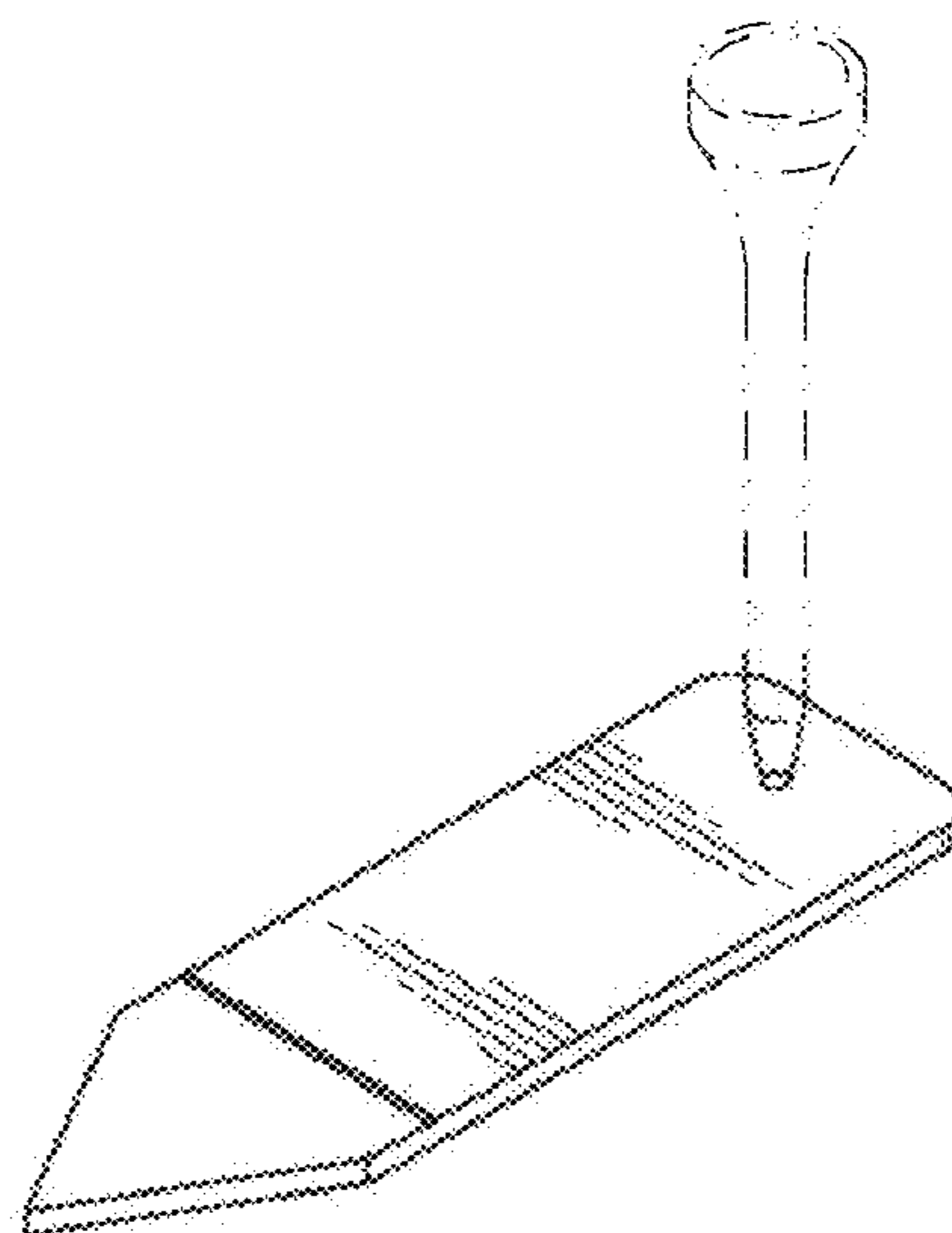
(57) **CLAIM**

The ornamental design for a tee pointer, as shown and described.

DESCRIPTION

FIG. 1 is a top perspective view of a tee pointer being attached to golf tee.
FIG. 2 is a top plan view thereof.
FIG. 3 is a right side elevational thereof, the left side being a mirror image.
FIG. 4 is a front elevation view thereof.
FIG. 5 is a rear elevation view thereof.
FIG. 6 is a right side elevation view as shown in FIG. 1; and, FIG. 7 is a bottom plan view thereof.
The broken line showing of a tee forms no part of the claimed design.

1 Claim, 1 Drawing Sheet



(56)

References Cited

U.S. PATENT DOCUMENTS

7,846,034 B1 * 12/2010 Lightfoot A63B 57/00
473/257
D640,763 S * 6/2011 Jones D21/789
D776,773 S * 1/2017 Elsherbini D21/791
10,279,232 B2 * 5/2019 Pope A63B 57/19

* cited by examiner

