



US00D935541S

(12) **United States Design Patent**
Kasai et al.

(10) **Patent No.:** **US D935,541 S**

(45) **Date of Patent:** **** Nov. 9, 2021**

(54) **GOLF CLUB HEAD**

(71) Applicant: **GLOBERIDE, Inc.**, Tokyo (JP)

(72) Inventors: **Takeshi Kasai**, Tokyo (JP); **Kazuki Tsujiura**, Tokyo (JP); **Seiji Yamazaki**, Tokyo (JP); **Takatoshi Kanemura**, Tokyo (JP)

(73) Assignee: **GLOBERIDE, INC.**, Tokyo (JP)

(**) Term: **15 Years**

(21) Appl. No.: **29/730,648**

(22) Filed: **Apr. 7, 2020**

(30) **Foreign Application Priority Data**

Dec. 26, 2019 (JP) 2019-029031

(51) **LOC (13) Cl.** **21-02**

(52) **U.S. Cl.**
USPC **D21/743**

(58) **Field of Classification Search**
USPC D21/736-746, 759
CPC A63B 53/00; A63B 53/04; A63B 53/007;
A63B 53/065; A63B 53/0487; A63B
60/00; A63B 60/46
See application file for complete search history.

(56) **References Cited**

U.S. PATENT DOCUMENTS

- 4,192,505 A * 3/1980 Tabickman A63B 60/54
473/536
- D303,276 S * 9/1989 Oakleaf D21/739
- D344,564 S * 2/1994 Oakleaf D21/739
- 6,254,500 B1 * 7/2001 Yoneyama A63B 67/18
473/544
- D688,339 S * 8/2013 Hilton D21/736
- D784,468 S * 4/2017 Rollinson D21/743
- D837,315 S * 1/2019 Rollinson D21/743

- D852,301 S * 6/2019 Serrano D21/743
- D865,090 S * 10/2019 Rollinson D21/743
- 2003/0060312 A1 * 3/2003 Pai A63B 49/03
473/521
- 2004/0152544 A1 * 8/2004 Lammer A63B 60/54
473/520
- 2009/0082142 A1 * 3/2009 Yu A63B 49/02
473/522
- 2014/0274495 A1 * 9/2014 Schwenger A63B 60/02
473/537

OTHER PUBLICATIONS

Office Action dated Dec. 29, 2020, of counterpart Korean Design Application No. 30-2020-14730, along with an English translation.

* cited by examiner

Primary Examiner — Mitchell I. Siegel

(74) *Attorney, Agent, or Firm* — K&L Gates LLP

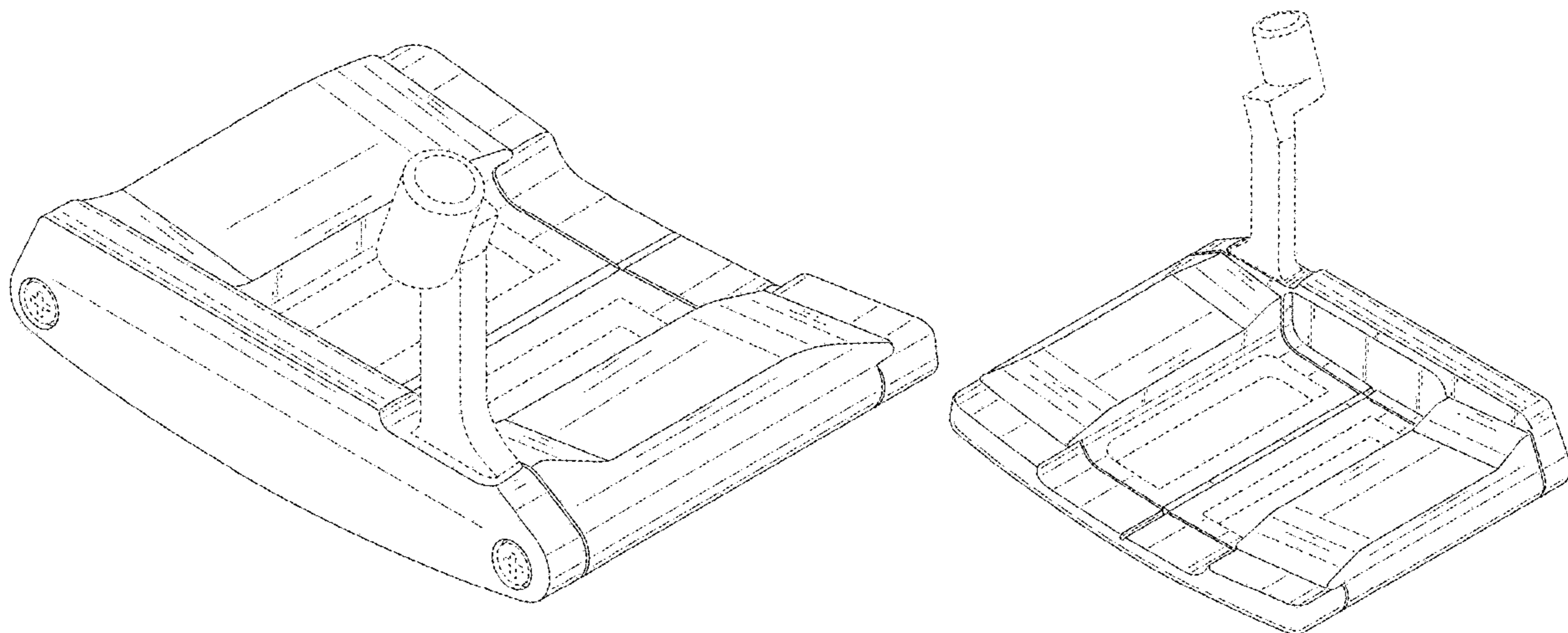
(57) **CLAIM**

The ornamental design for a golf club head, as shown and described.

DESCRIPTION

FIG. 1 is a top, front, left side perspective view of a golfing club head showing our new design;
 FIG. 2 is a top, front, right side perspective view thereof;
 FIG. 3 is a left side elevational view thereof;
 FIG. 4 is a right side elevational view thereof;
 FIG. 5 is a top plan view thereof;
 FIG. 6 is a bottom plan view thereof;
 FIG. 7 is a rear elevational view thereof;
 FIG. 8 is a front elevational view thereof;
 FIG. 9 is a cross-sectional view taken on line 9-9 of FIG. 5;
 and,
 FIG. 10 is a cross-sectional view taken on line 10-10 of FIG. 5.
 The broken lines shown form no part of the claimed design.

1 Claim, 10 Drawing Sheets



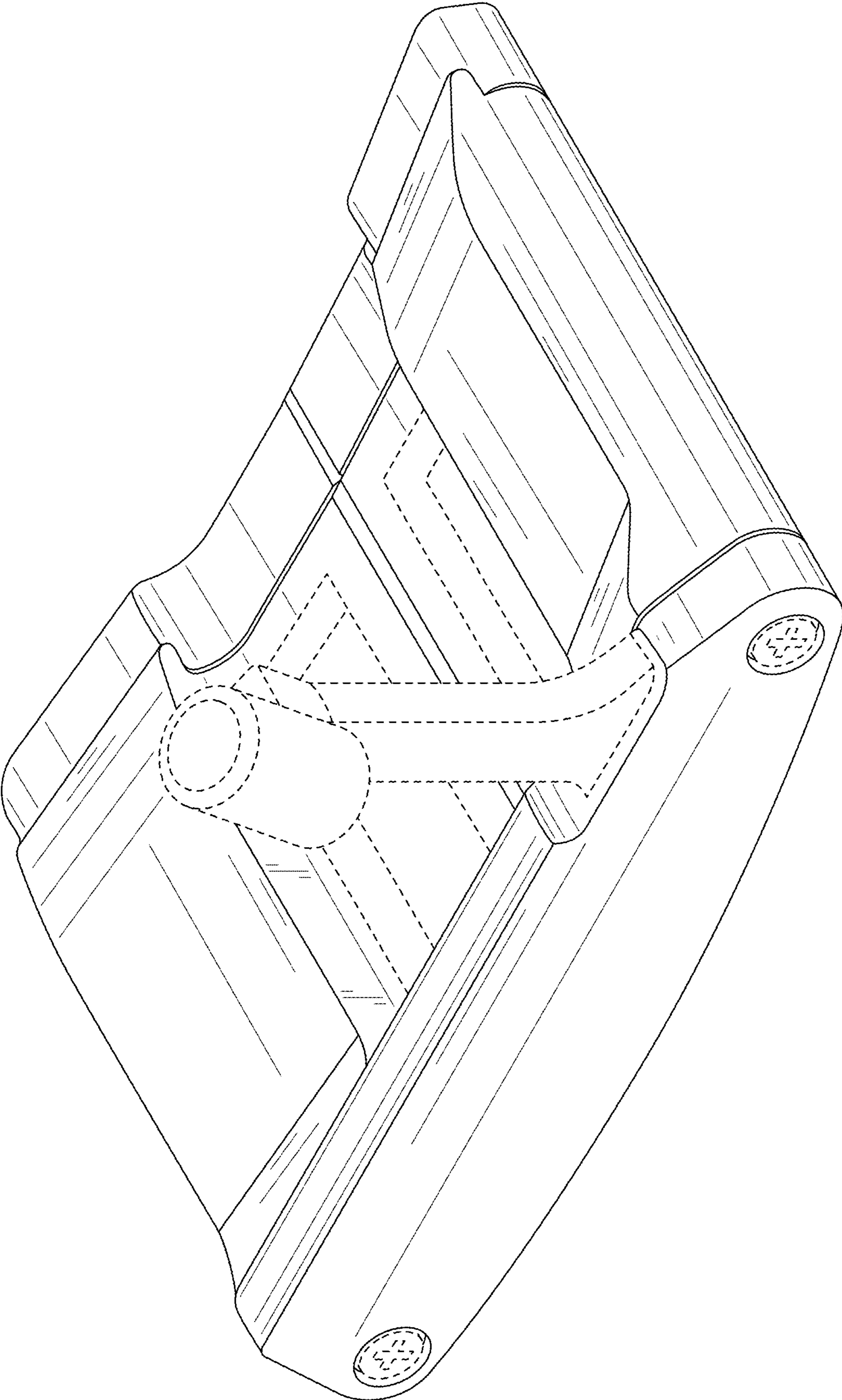


FIG. 1

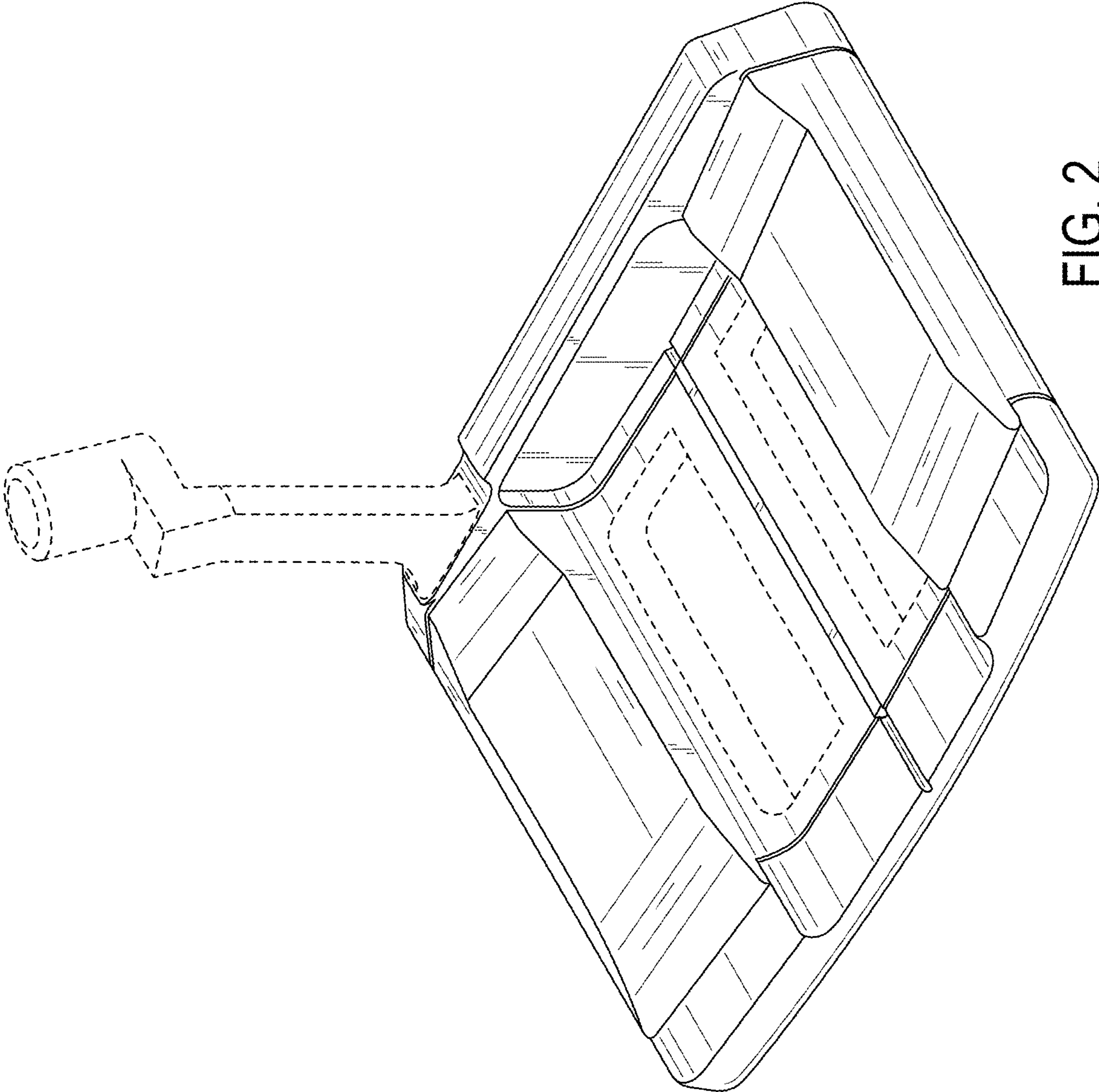


FIG. 2

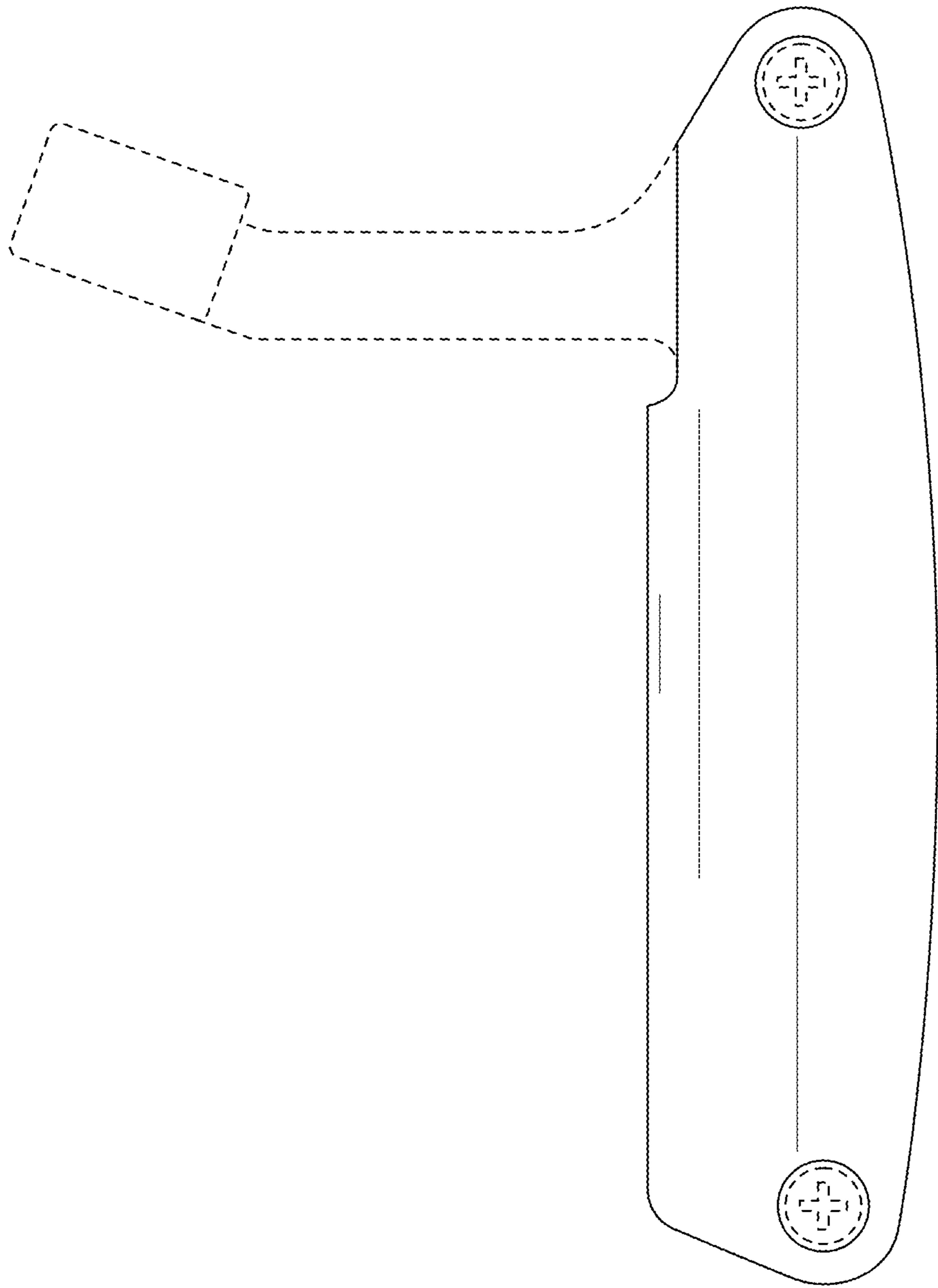


FIG. 3

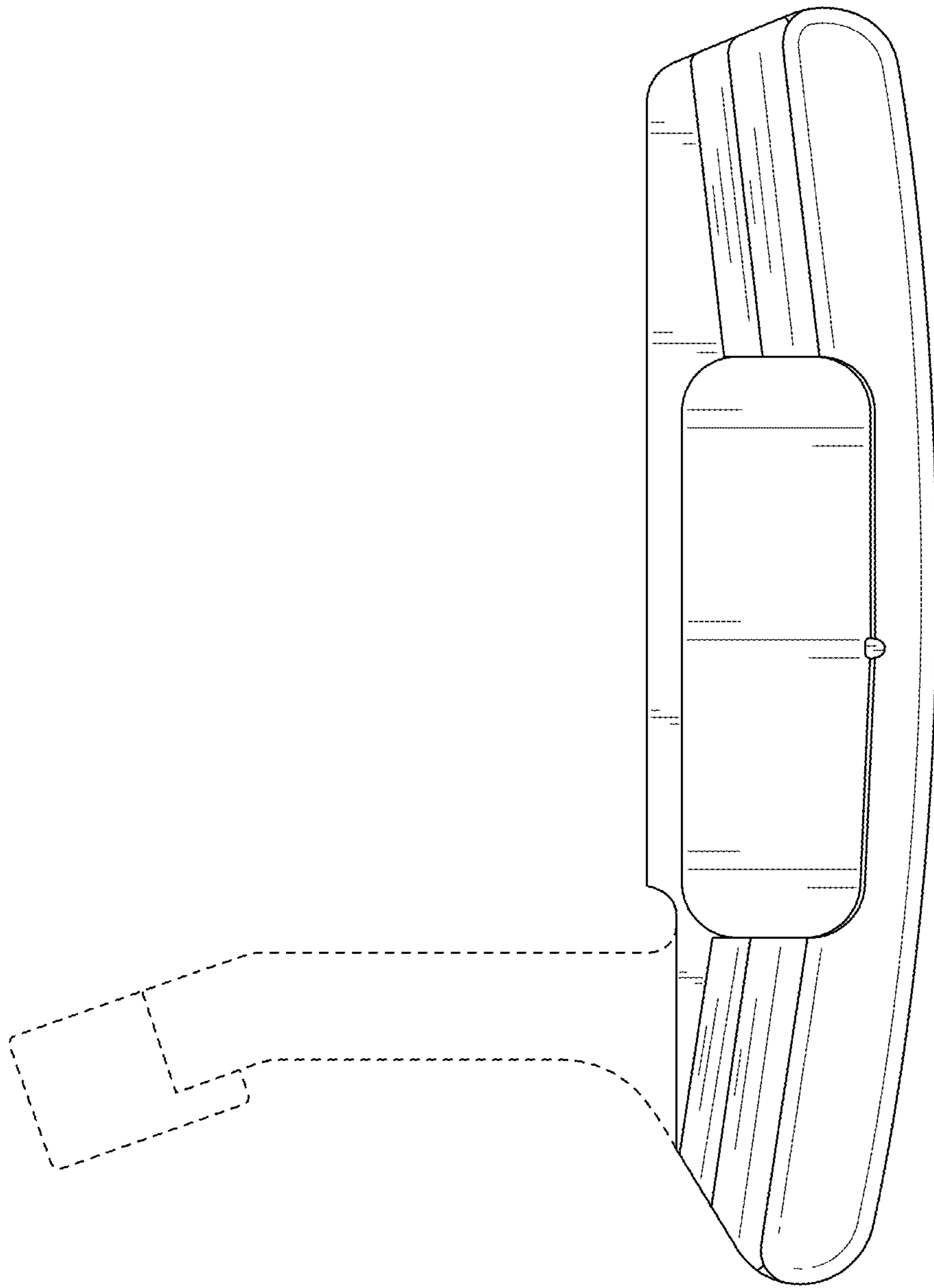


FIG. 4

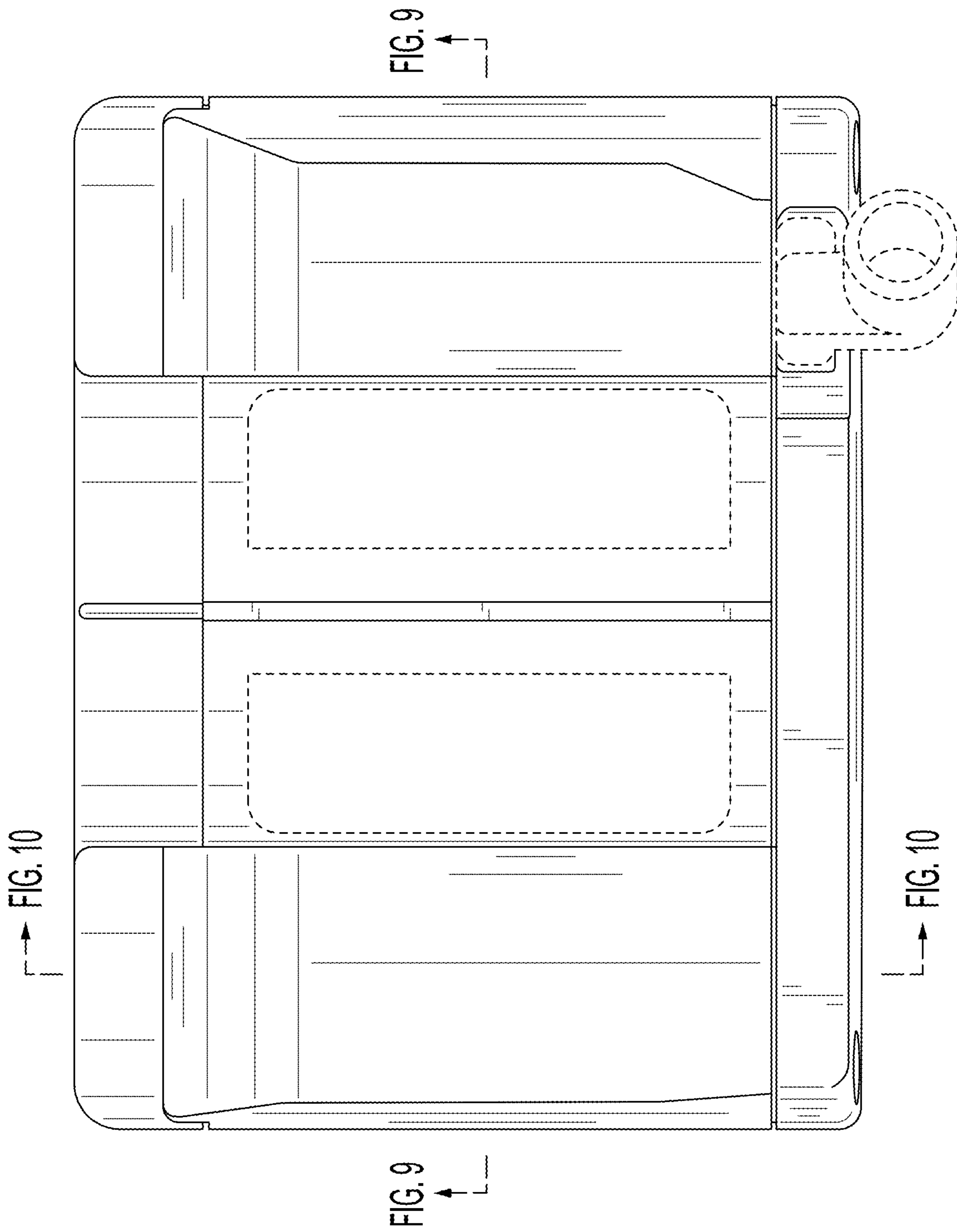


FIG. 5

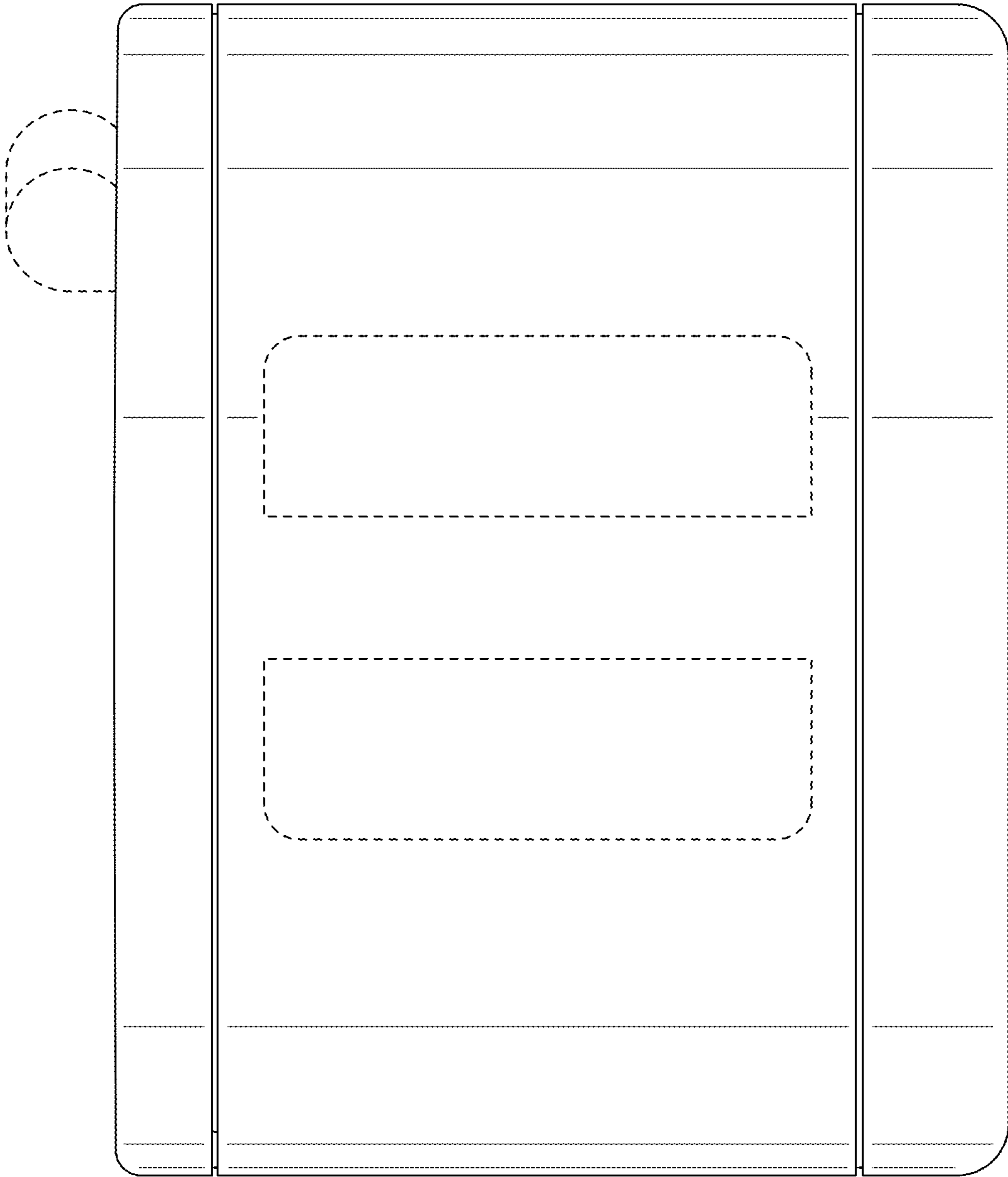


FIG. 6

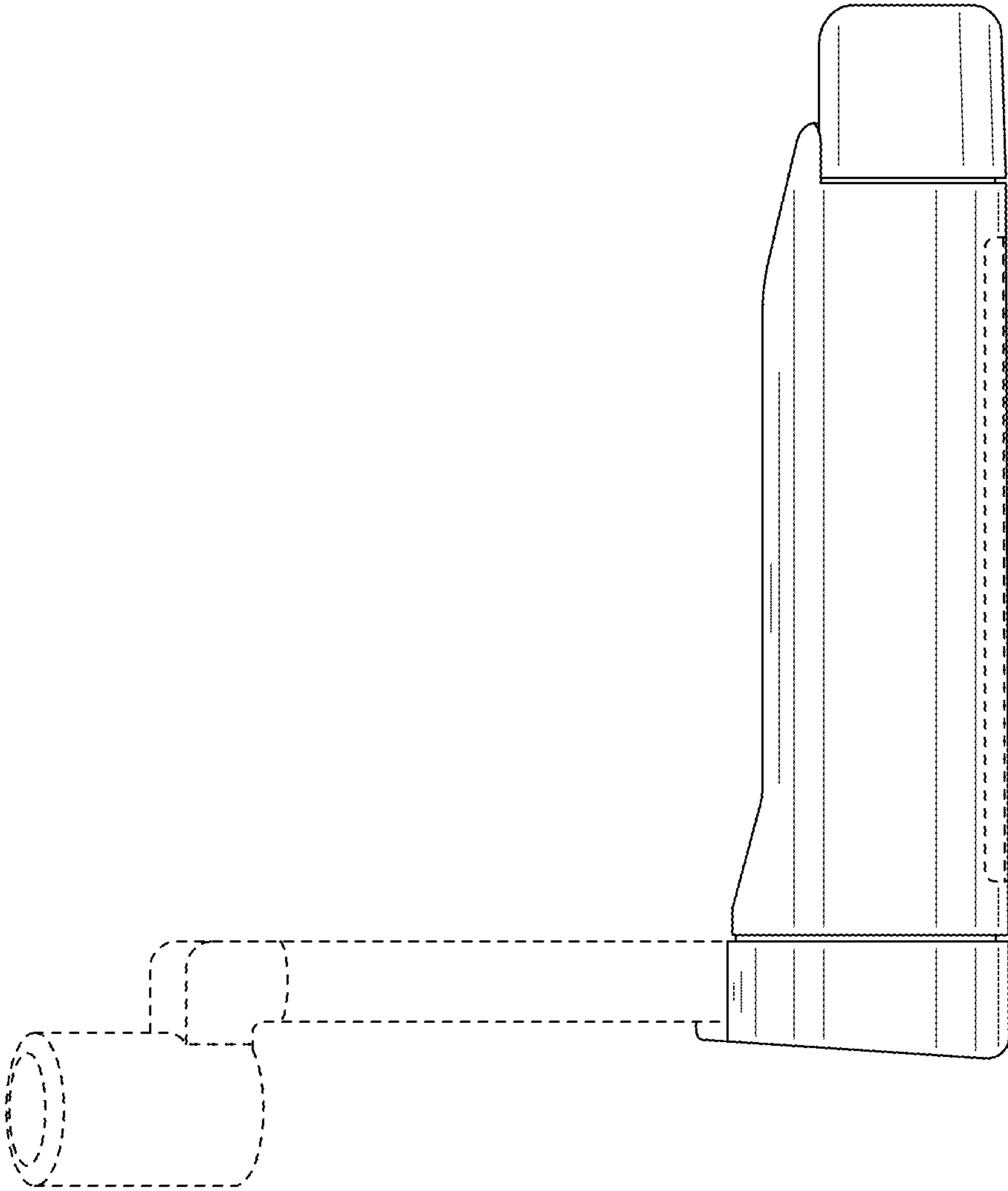


FIG. 7

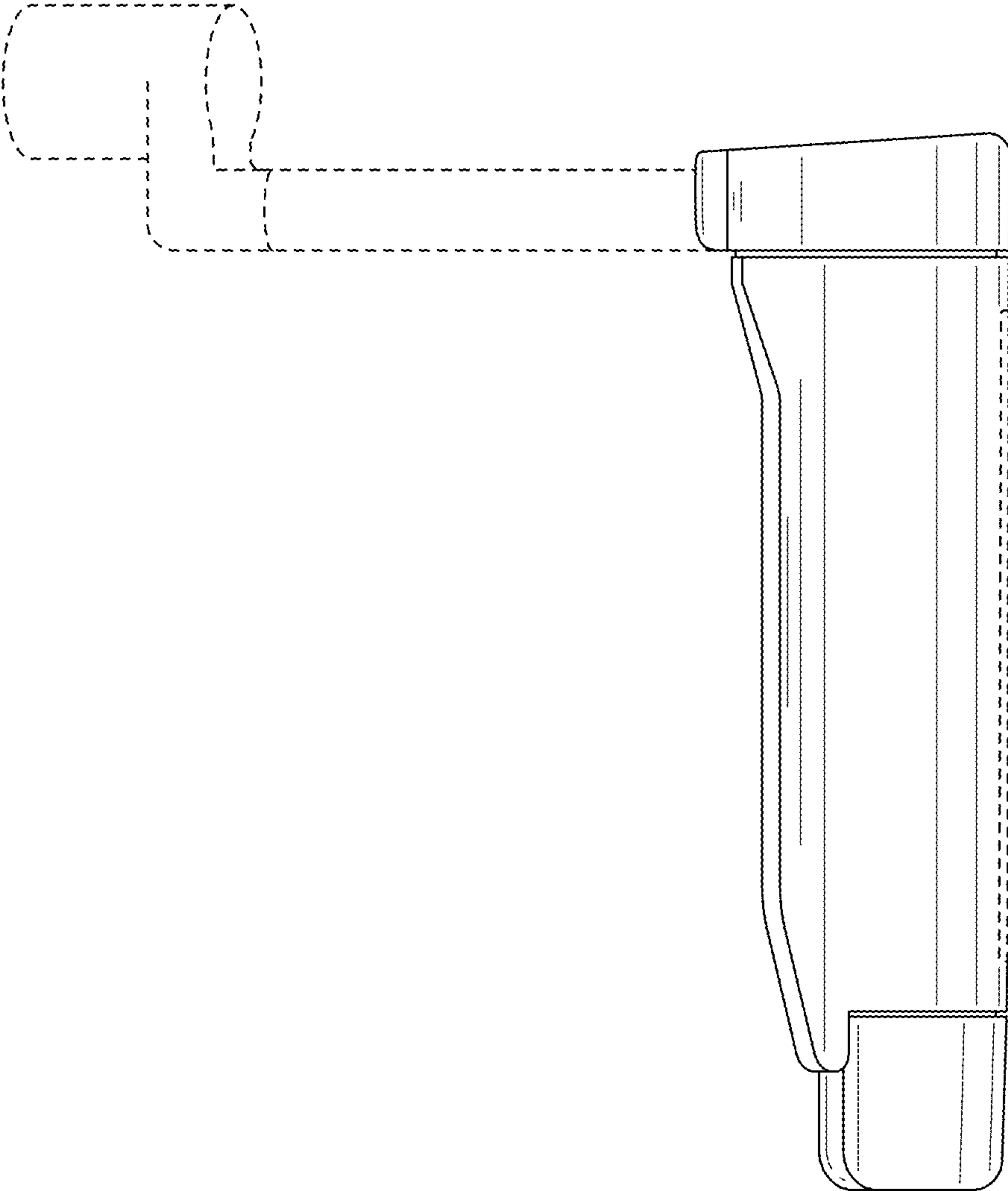


FIG. 8

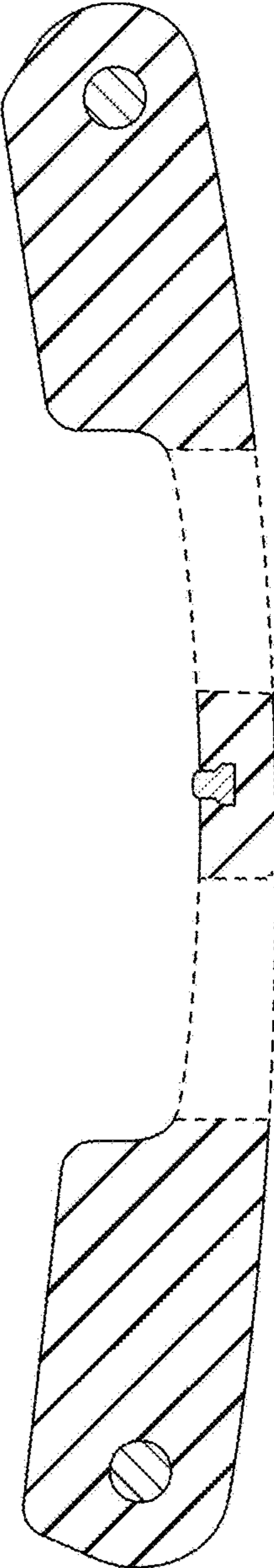


FIG. 9

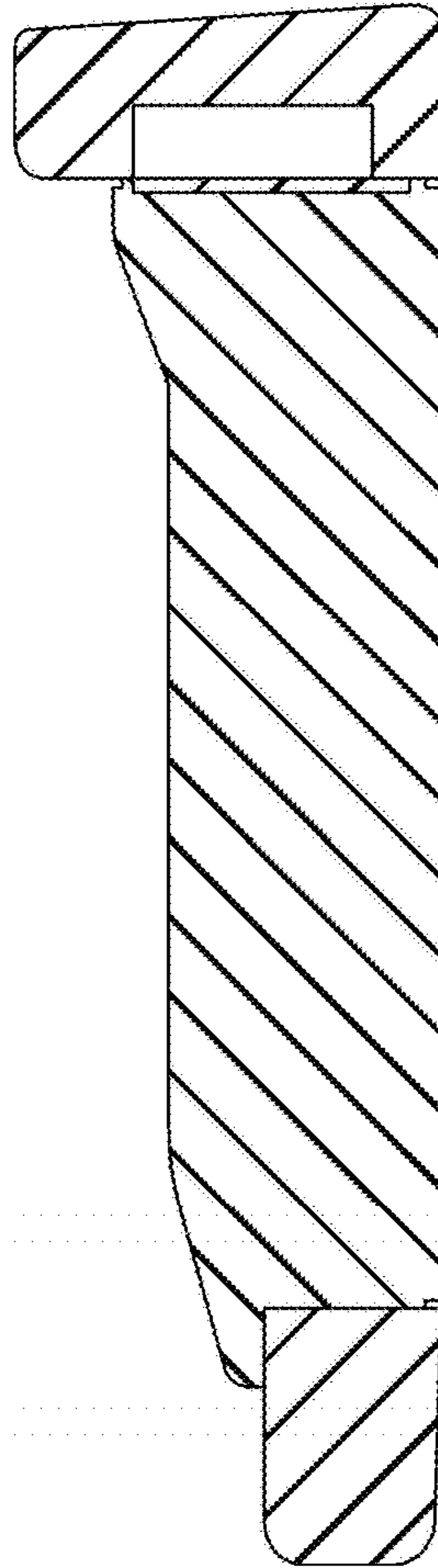


FIG. 10