



US00D935539S

(12) **United States Design Patent**  
**Solheim**

(10) **Patent No.:** **US D935,539 S**

(45) **Date of Patent:** **\*\* Nov. 9, 2021**

(54) **GOLF CLUB HEAD**

(71) Applicant: **KARSTEN MANUFACTURING CORPORATION**, Phoenix, AZ (US)

(72) Inventor: **John A. Solheim**, Phoenix, AZ (US)

(73) Assignee: **KARSTEN MANUFACTURING CORPORATION**, Phoenix, AZ (US)

(\*\*) Term: **15 Years**

(21) Appl. No.: **29/707,717**

(22) Filed: **Sep. 30, 2019**

(51) **LOC (13) Cl.** ..... **21-02**

(52) **U.S. Cl.**  
USPC ..... **D21/743**

(58) **Field of Classification Search**  
USPC ..... D21/736-746, 759  
CPC ..... A63B 53/00; A63B 53/04; A63B 53/007;  
A63B 53/065; A63B 53/0487; A63B  
60/00; A63B 60/46

See application file for complete search history.

(56) **References Cited**

**U.S. PATENT DOCUMENTS**

|                |         |                  |       |                        |
|----------------|---------|------------------|-------|------------------------|
| D311,049 S *   | 10/1990 | Sanchez          | ..... | D21/745                |
| D314,030 S *   | 1/1991  | Sanchez          | ..... | D21/745                |
| D316,129 S     | 4/1991  | Bryson           |       |                        |
| 5,275,412 A    | 1/1994  | Innes            |       |                        |
| D351,443 S *   | 10/1994 | Caugh            | ..... | D21/743                |
| 6,159,108 A    | 12/2000 | De La Pena       |       |                        |
| 6,379,259 B1   | 4/2002  | Opie             |       |                        |
| D459,422 S     | 6/2002  | Fisher           |       |                        |
| 6,688,990 B2 * | 2/2004  | Sanchez          | ..... | A63B 53/065<br>473/340 |
| D488,526 S     | 4/2004  | Souza et al.     |       |                        |
| D500,109 S     | 12/2004 | Soheim et al.    |       |                        |
| D500,110 S     | 12/2004 | Solheim et al.   |       |                        |
| 6,837,801 B1   | 1/2005  | Souza et al.     |       |                        |
| 6,878,071 B1   | 4/2005  | Schwieger et al. |       |                        |
| 6,893,355 B2   | 5/2005  | Souza et al.     |       |                        |

|              |         |                |
|--------------|---------|----------------|
| 6,902,496 B2 | 6/2005  | Solheim et al. |
| D507,612 S   | 7/2005  | Souza et al.   |
| 6,926,615 B1 | 8/2005  | Souza et al.   |
| 6,960,140 B2 | 11/2005 | Soheim et al.  |
| 6,966,845 B2 | 11/2005 | Solheim et al. |
| D520,584 S   | 5/2006  | Karlsen        |
| D521,582 S   | 5/2006  | Souza et al.   |
| 7,052,411 B2 | 5/2006  | Solheim et al. |
| D522,598 S   | 6/2006  | Solheim et al. |

(Continued)

**FOREIGN PATENT DOCUMENTS**

|    |         |         |
|----|---------|---------|
| JP | 1344471 | 11/2008 |
| JP | 1481918 | 8/2014  |

(Continued)

**OTHER PUBLICATIONS**

Bridgestone Sports Tourstage (p. 4, 2019).

*Primary Examiner* — Mitchell I. Siegel

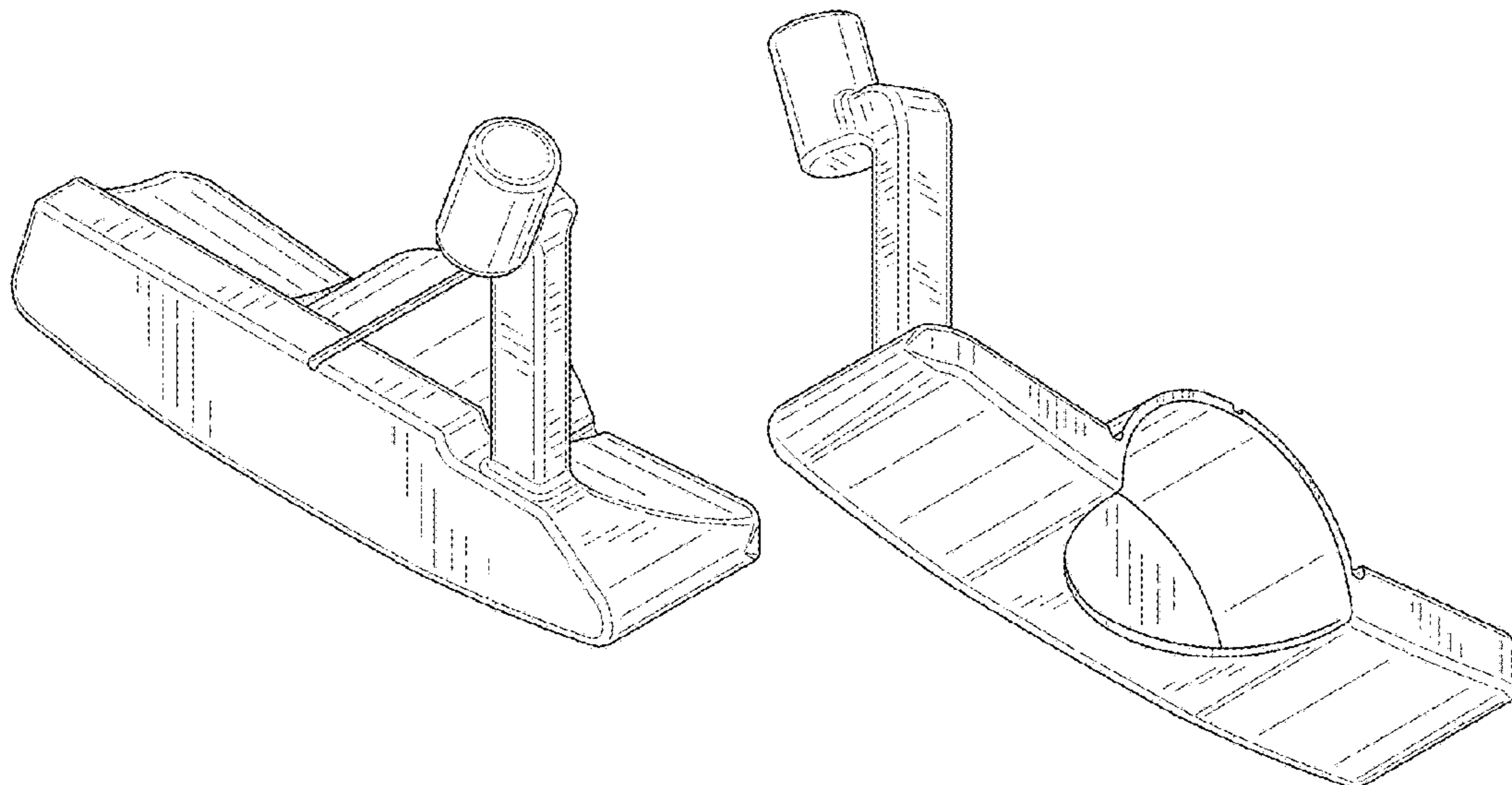
(57) **CLAIM**

The ornamental design for a golf club head, as shown and described.

**DESCRIPTION**

FIG. 1 is a top perspective view of a golf club head;  
FIG. 2 is a bottom perspective view of the golf club head of FIG. 1;  
FIG. 3 is a top view of the golf club head of FIG. 1;  
FIG. 4 is a bottom view of the golf club head of FIG. 1;  
FIG. 5 is a front view of the golf club head of FIG. 1;  
FIG. 6 is a rear view of the golf club head of FIG. 1;  
FIG. 7 is a heel side view of the golf club head of FIG. 1;  
and,  
FIG. 8 is a toe side view of the golf club head of FIG. 1.  
The broken lines shown on the drawing figures form no part of the claimed design.

**1 Claim, 5 Drawing Sheets**



(56)

References Cited

U.S. PATENT DOCUMENTS

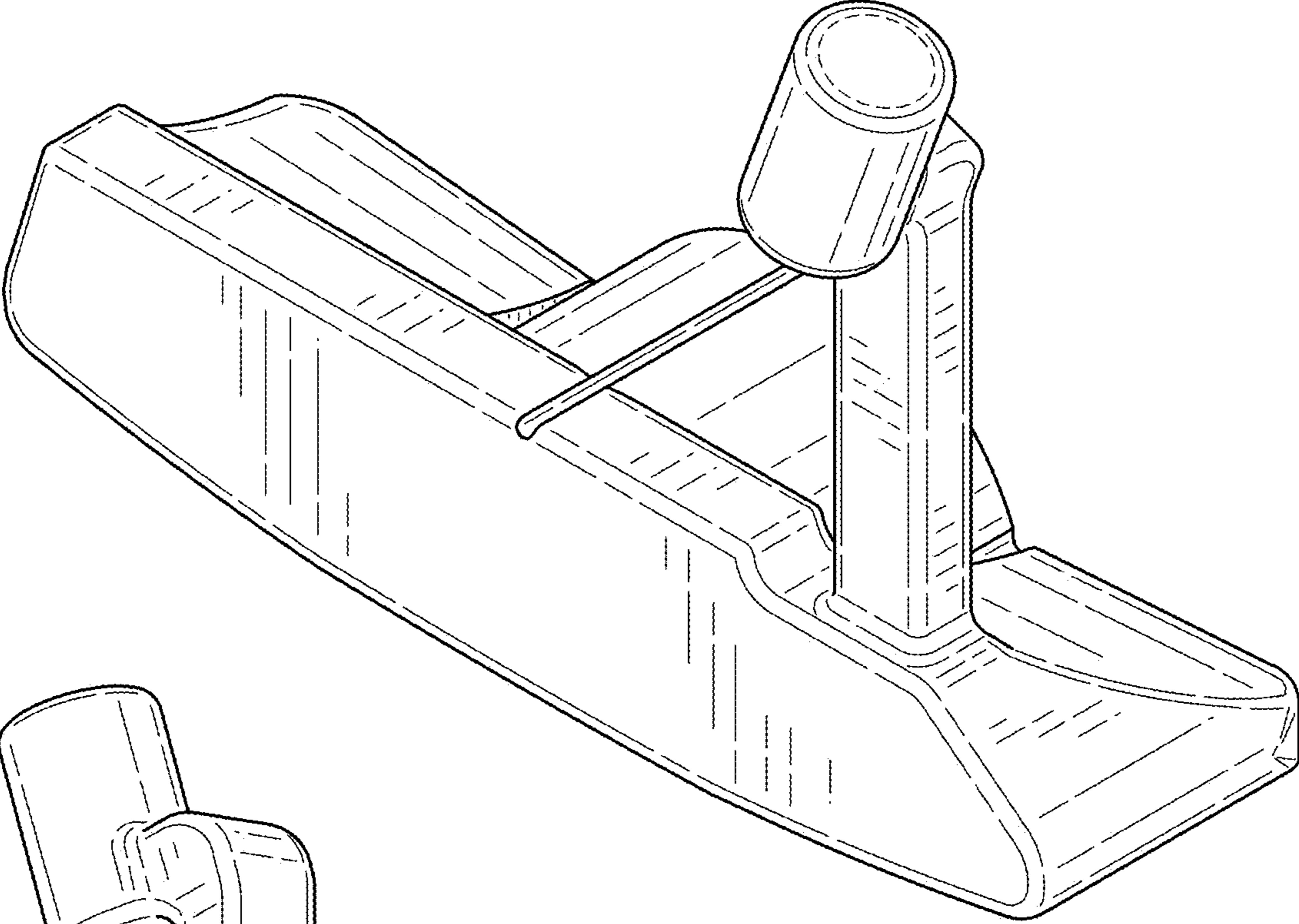
D525,328 S \* 7/2006 Solheim ..... D21/736  
 7,077,758 B2 7/2006 Rohrer  
 D526,373 S \* 8/2006 Brown ..... D21/759  
 7,086,957 B2 8/2006 Solheim et al.  
 D527,777 S 9/2006 Solheim et al.  
 D529,108 S 9/2006 Stites et al.  
 D532,847 S 11/2006 Rollinson  
 D533,243 S 12/2006 Fife et al.  
 D533,244 S 12/2006 Kroll  
 7,235,021 B2 6/2007 Solheim et al.  
 D548,295 S 8/2007 Jertson et al.  
 D549,292 S \* 8/2007 Meier ..... D21/743  
 7,255,650 B2 8/2007 Bryant et al.  
 D552,197 S 10/2007 Wells et al.  
 D564,607 S 3/2008 Oldknow et al.  
 D565,137 S 3/2008 Oldknow et al.  
 D566,212 S \* 4/2008 Bardha ..... D21/736  
 7,371,185 B1 5/2008 Rohrer  
 7,374,497 B2 5/2008 Brown  
 D571,878 S \* 6/2008 Jones ..... D21/736  
 D579,505 S \* 10/2008 Jones ..... D21/736  
 D581,473 S 11/2008 Thomas  
 D583,003 S 12/2008 Solheim et al.  
 D587,325 S 2/2009 Soheim et al.  
 D588,658 S 3/2009 De La Cruz et al.  
 D600,760 S 9/2009 Serrano et al.  
 D600,761 S 9/2009 Solheim et al.  
 D600,762 S 9/2009 Serrano et al.  
 7,601,076 B2 10/2009 Rollinson  
 D603,922 S \* 11/2009 Meier ..... D21/759  
 D607,950 S 1/2010 Souza et al.  
 D621,458 S 8/2010 Serrano et al.  
 D621,460 S 8/2010 Serrano et al.  
 D621,461 S 8/2010 Serrano et al.  
 D621,462 S 8/2010 Serrano et al.

D621,891 S 8/2010 Serrano et al.  
 D623,709 S 9/2010 Serrano et al.  
 7,803,066 B2 9/2010 Solheim et al.  
 7,815,515 B1 10/2010 Hunt  
 D638,891 S 5/2011 Nicolette et al.  
 D640,341 S 6/2011 Foster et al.  
 7,959,520 B2 6/2011 Campadore et al.  
 D643,080 S 8/2011 Serrano et al.  
 D643,485 S 8/2011 Nicolette et al.  
 D643,486 S 8/2011 Serrano et al.  
 D643,487 S 8/2011 Serrano et al.  
 D650,455 S 12/2011 Serrano et al.  
 D652,465 S 1/2012 Rollinson  
 8,100,779 B2 1/2012 Solheim et al.  
 D653,718 S 2/2012 Stokke et al.  
 8,109,838 B2 2/2012 Solheim et al.  
 8,128,505 B2 3/2012 Tryner et al.  
 D664,617 S 7/2012 Serrano  
 D682,376 S 5/2013 Oliveiro et al.  
 D689,574 S 9/2013 Rollinson  
 D723,641 S 3/2015 Serrano et al.  
 D761,367 S 7/2016 Bruce  
 D858,666 S \* 9/2019 Serrano ..... D21/746  
 2005/0170904 A1 8/2005 Smeeth  
 2006/0094533 A1 5/2006 Warren et al.  
 2006/0166755 A1 \* 7/2006 Brown ..... A63B 53/0487  
 473/251  
 2007/0191135 A1 8/2007 Nilsson et al.  
 2008/0096686 A1 4/2008 Bilkhu  
 2010/0227704 A1 9/2010 Souza et al.  
 2012/0115328 A1 5/2012 Woods

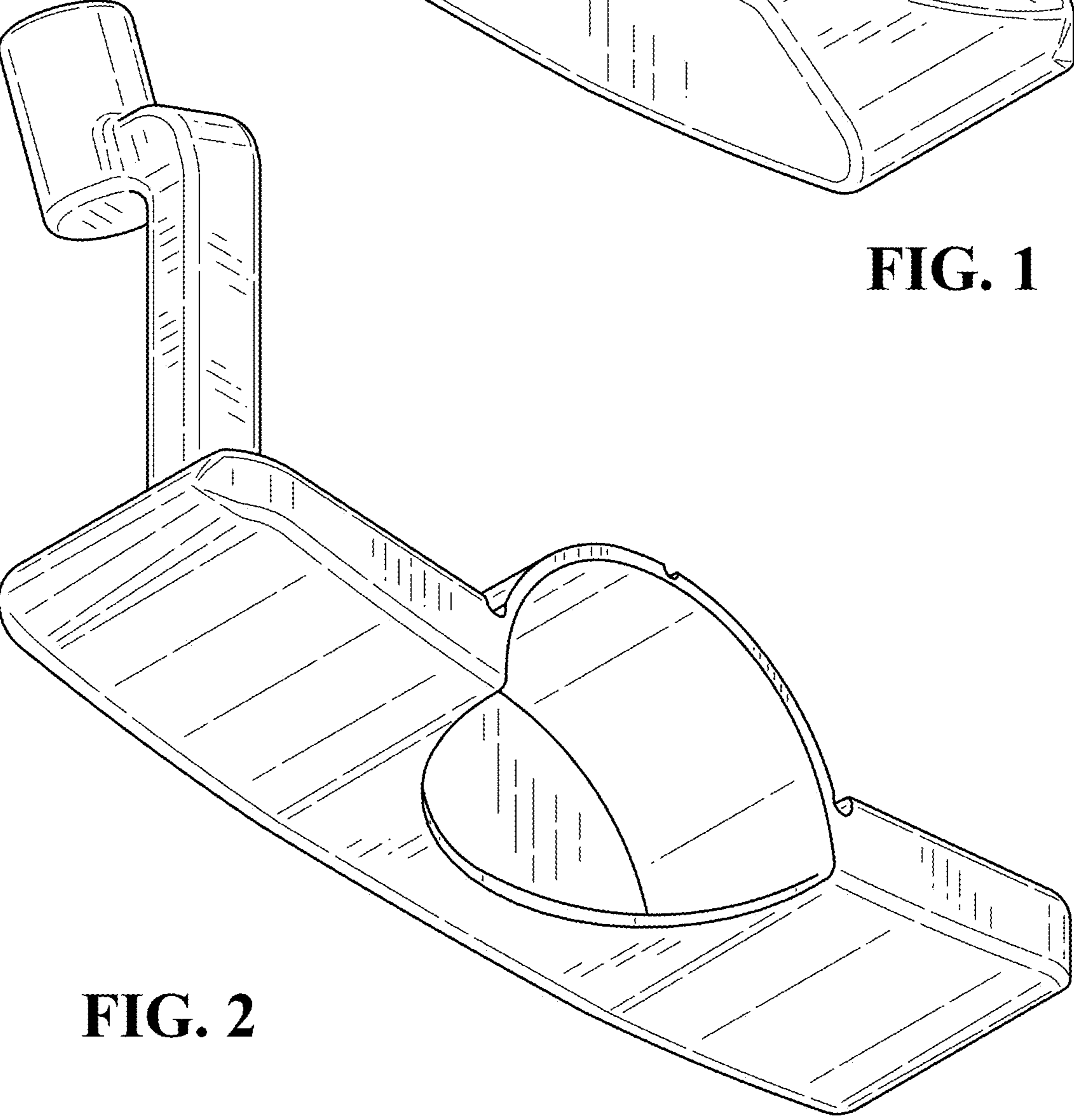
FOREIGN PATENT DOCUMENTS

KR D30-0697210 7/2013  
 KR D30-0757179 8/2014

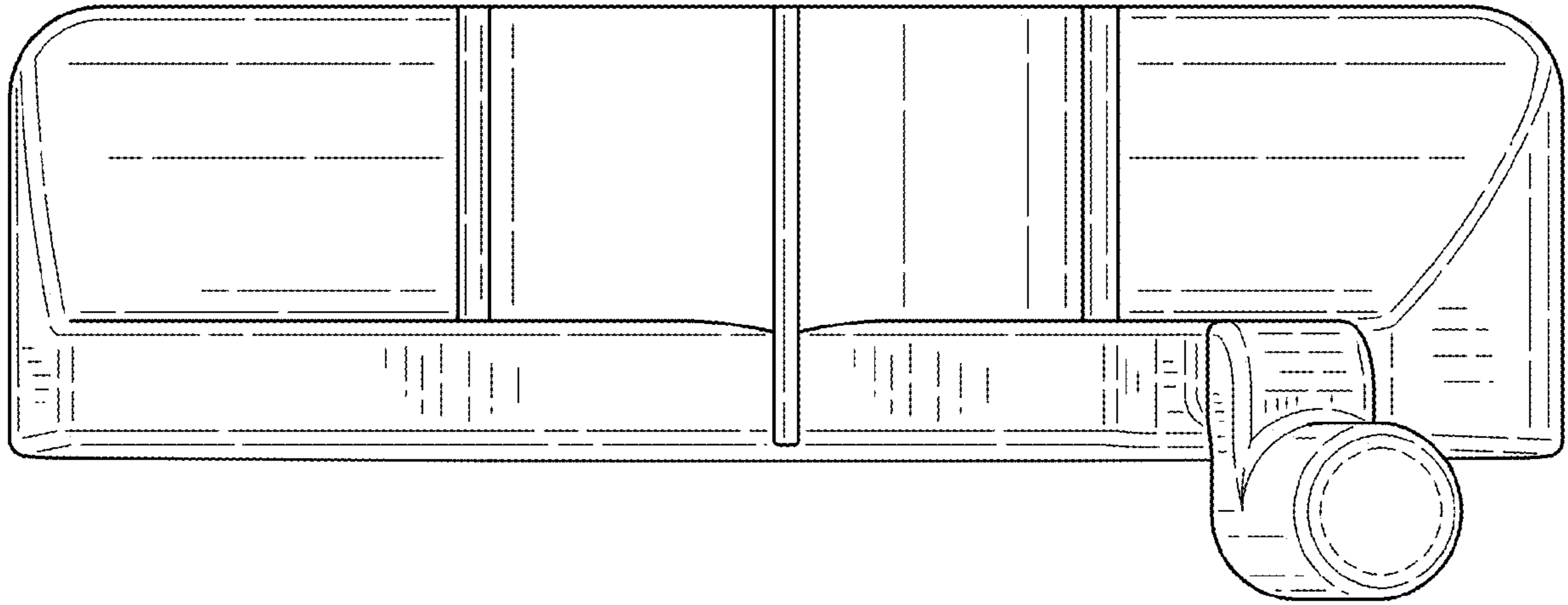
\* cited by examiner



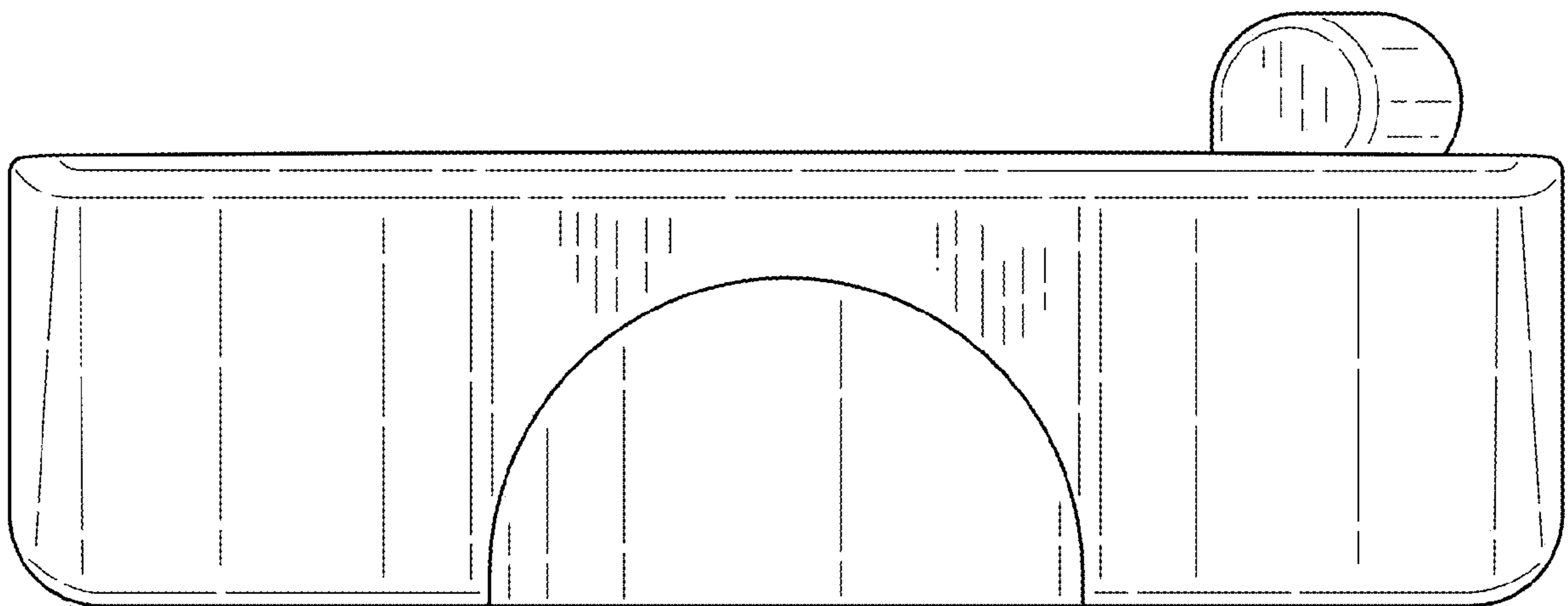
**FIG. 1**



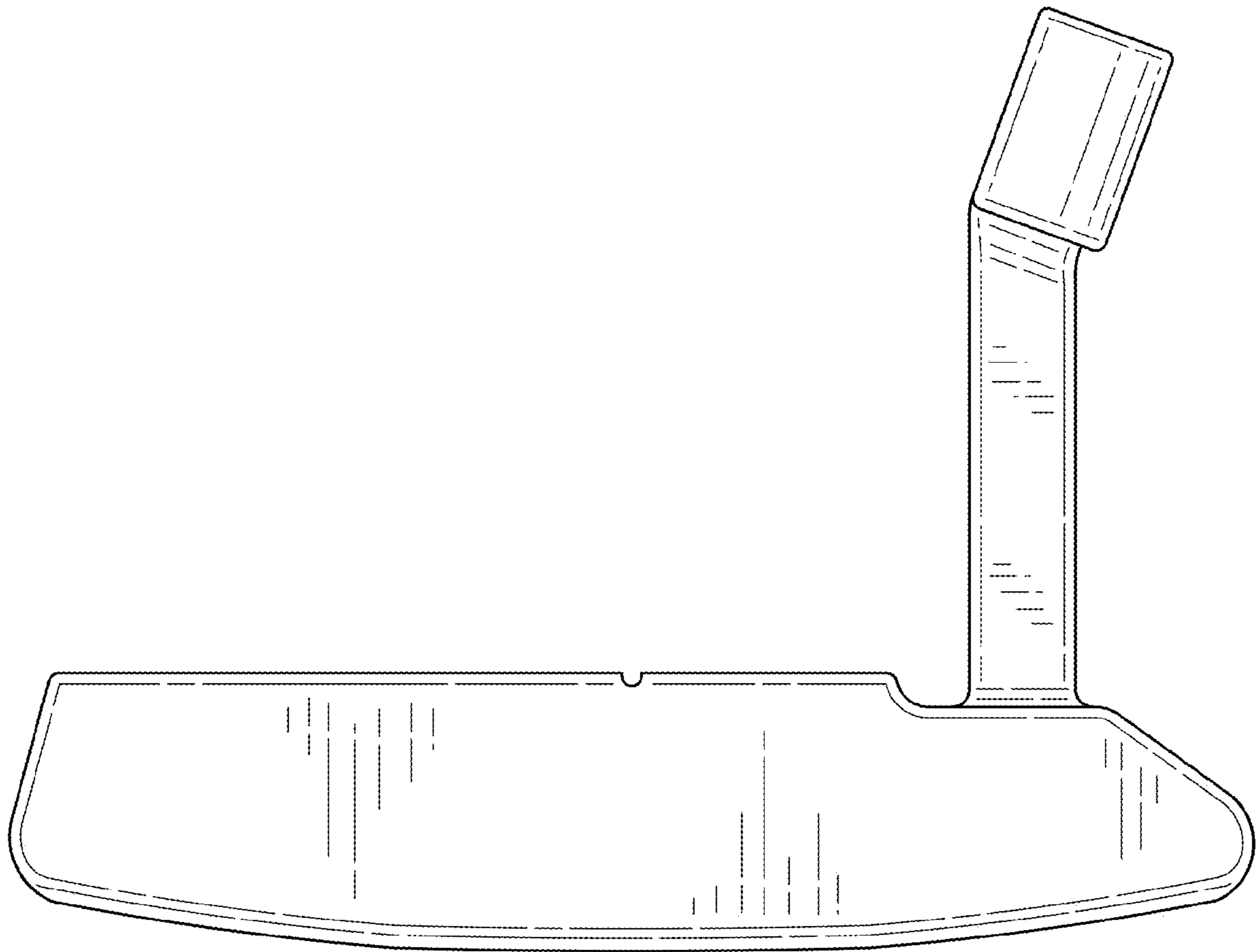
**FIG. 2**



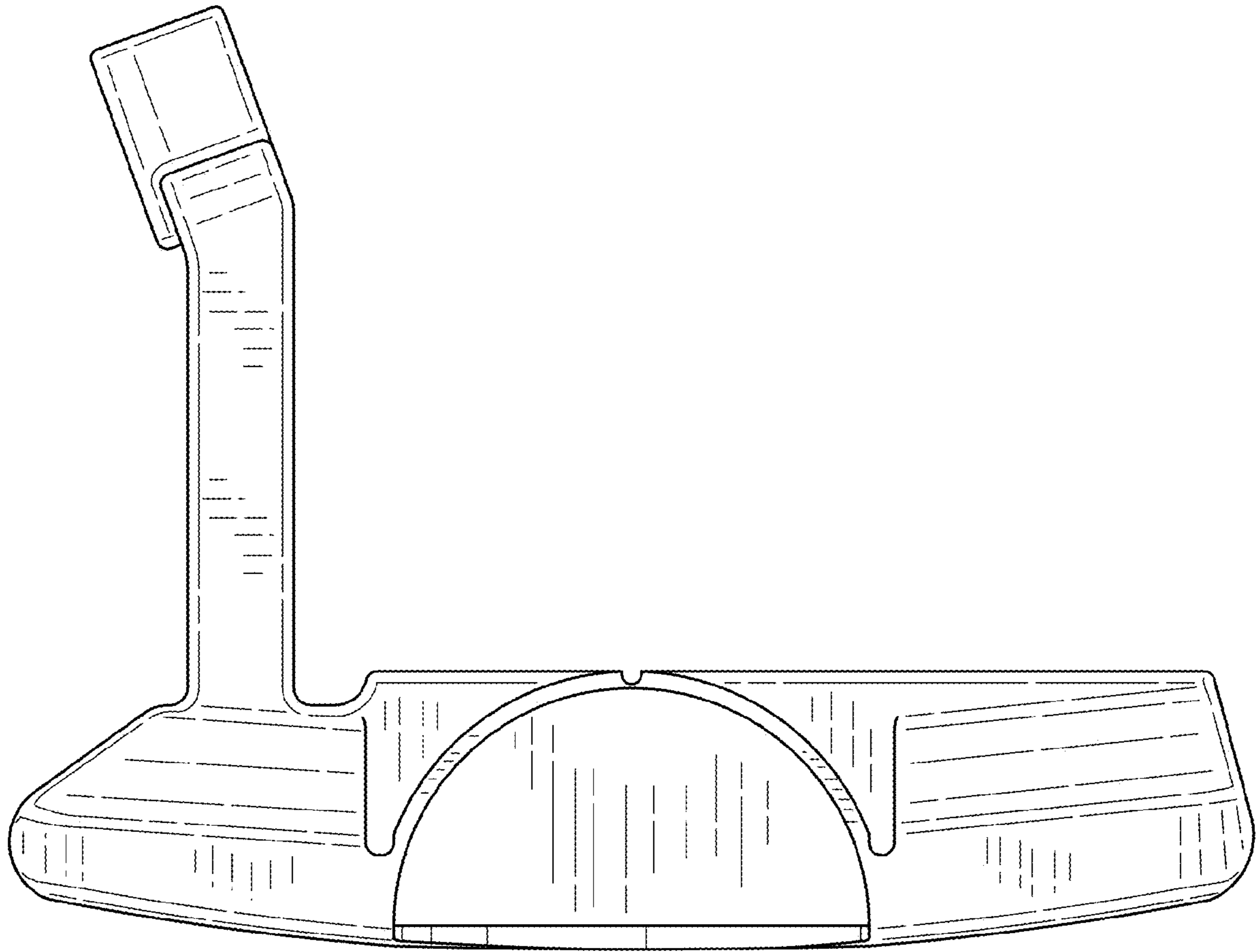
**FIG. 3**



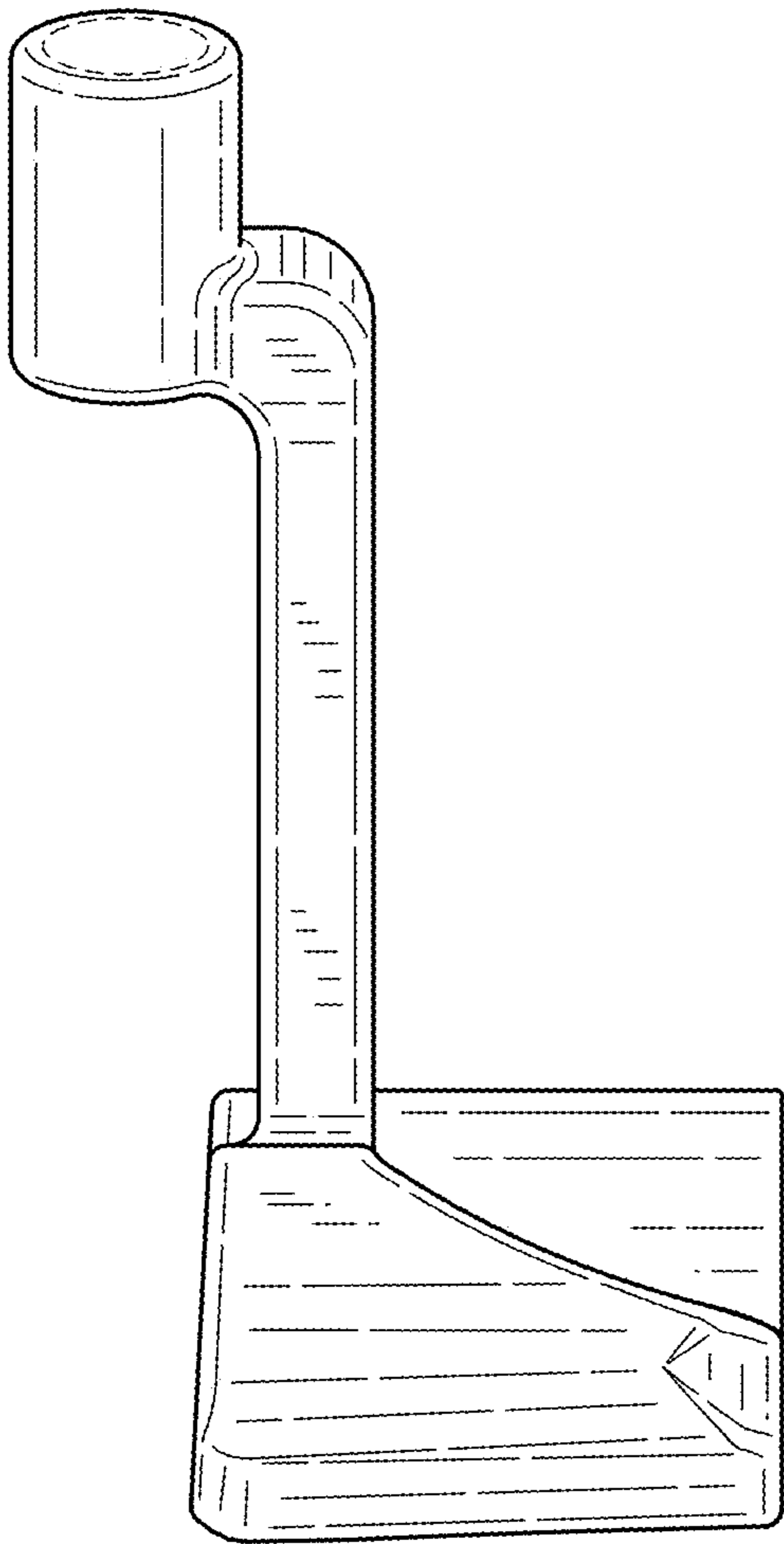
**FIG. 4**



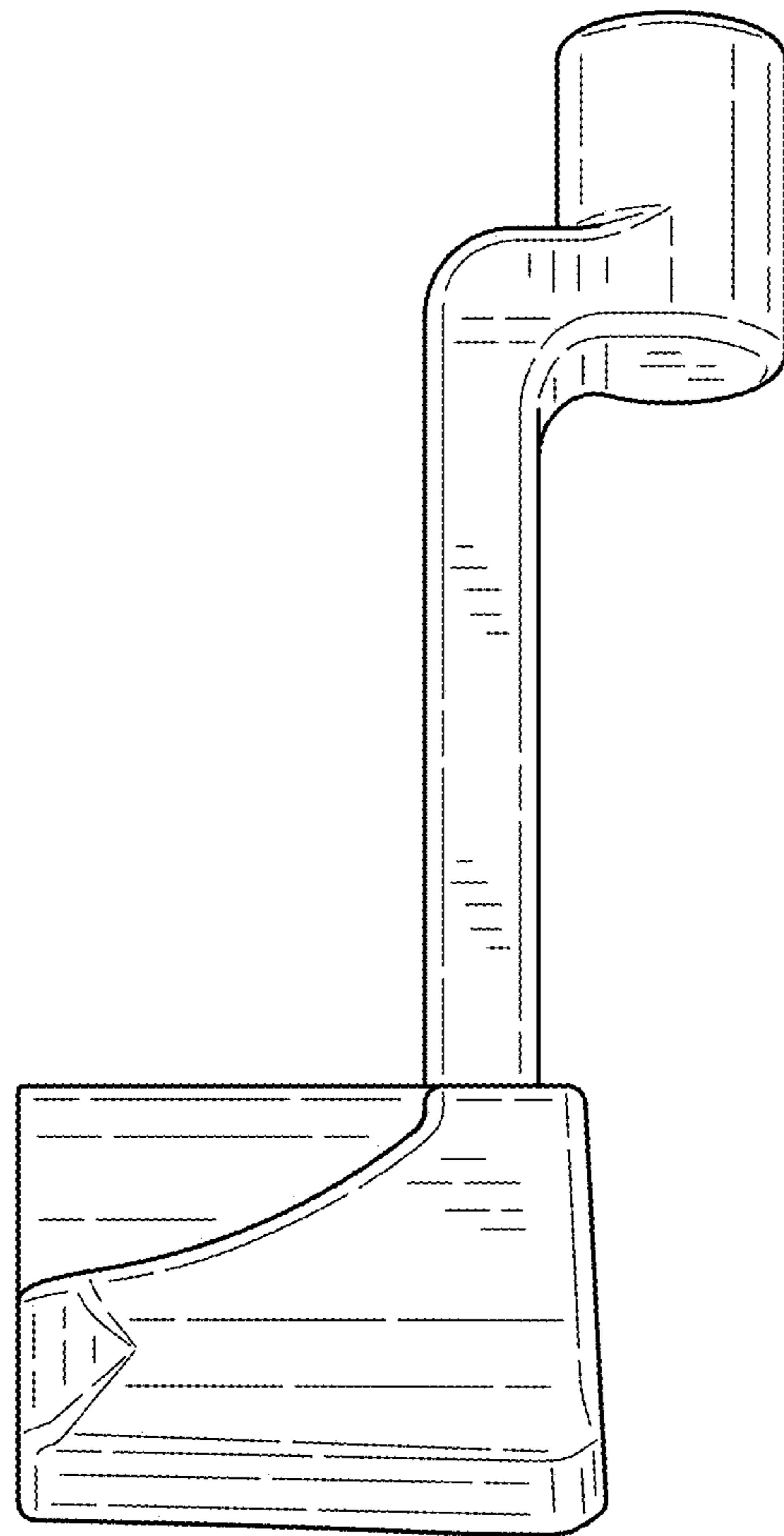
**FIG. 5**



**FIG. 6**



**FIG. 7**



**FIG. 8**