



US00D935532S

(12) **United States Design Patent**
Ewing

(10) **Patent No.:** **US D935,532 S**

(45) **Date of Patent:** **** Nov. 9, 2021**

(54) **MODEL VEHICLE PLATFORM ASSEMBLY**

D549,787 S * 8/2007 Chen D21/548
D550,311 S * 9/2007 Chen D21/548
7,281,600 B2 * 10/2007 Chernoff B62D 21/07
180/291

(71) Applicant: **TRAXXAS LP**, McKinney, TX (US)

(72) Inventor: **Adam Cole Ewing**, McKinney, TX (US)

(Continued)

(73) Assignee: **TRAXXAS LP**, McKinney, TX (US)

(**) Term: **15 Years**

(21) Appl. No.: **29/730,202**

(22) Filed: **Apr. 2, 2020**

(51) **LOC (13) Cl.** **21-01**

(52) **U.S. Cl.**
USPC **D21/562**

(58) **Field of Classification Search**
USPC D21/433, 548-549, 552, 562; D12/159
CPC B62D 25/00; B62D 25/06; B62D 33/00;
B62D 35/00
See application file for complete search history.

(56) **References Cited**

U.S. PATENT DOCUMENTS

3,829,117 A	8/1974	Park	
D309,930 S *	8/1990	Asaeda	D21/548
D317,336 S *	6/1991	Tsuchiya	D21/550
D332,978 S	2/1993	Tsuchiya	
D332,979 S *	2/1993	Tsuchiya	D21/562
D348,911 S	7/1994	Herrick et al.	
5,338,247 A *	8/1994	Miles	A63H 17/262 180/56
D411,263 S	6/1999	Korsholm	
D493,848 S	8/2004	Dunst	
D503,658 S	4/2005	Lu	
D513,223 S	12/2005	Saito et al.	
D521,899 S	5/2006	Walden	
D523,775 S	6/2006	Walden	
D523,776 S	6/2006	Walden	
D534,593 S *	1/2007	Yuen	D21/562
D538,861 S *	3/2007	Takahashi	D21/550
D545,721 S *	7/2007	Hacker	D12/1

OTHER PUBLICATIONS

TAMIYA 58647 1:10 RC M-07 Con. WB225/239 Remote Control Car Vehicle Model, Sep. 15, 2017, Amazon.co.uk, Sep. 22, 2021, URL: <https://www.amazon.co.uk/Tamiya-M-07-Concept-Chassis-58647/dp/B06ZY297CC> (Year: 2017).*

(Continued)

Primary Examiner — Jack Reickel
Assistant Examiner — Keith J Wilson
(74) *Attorney, Agent, or Firm* — Daryl R. Wright; Greg Carr

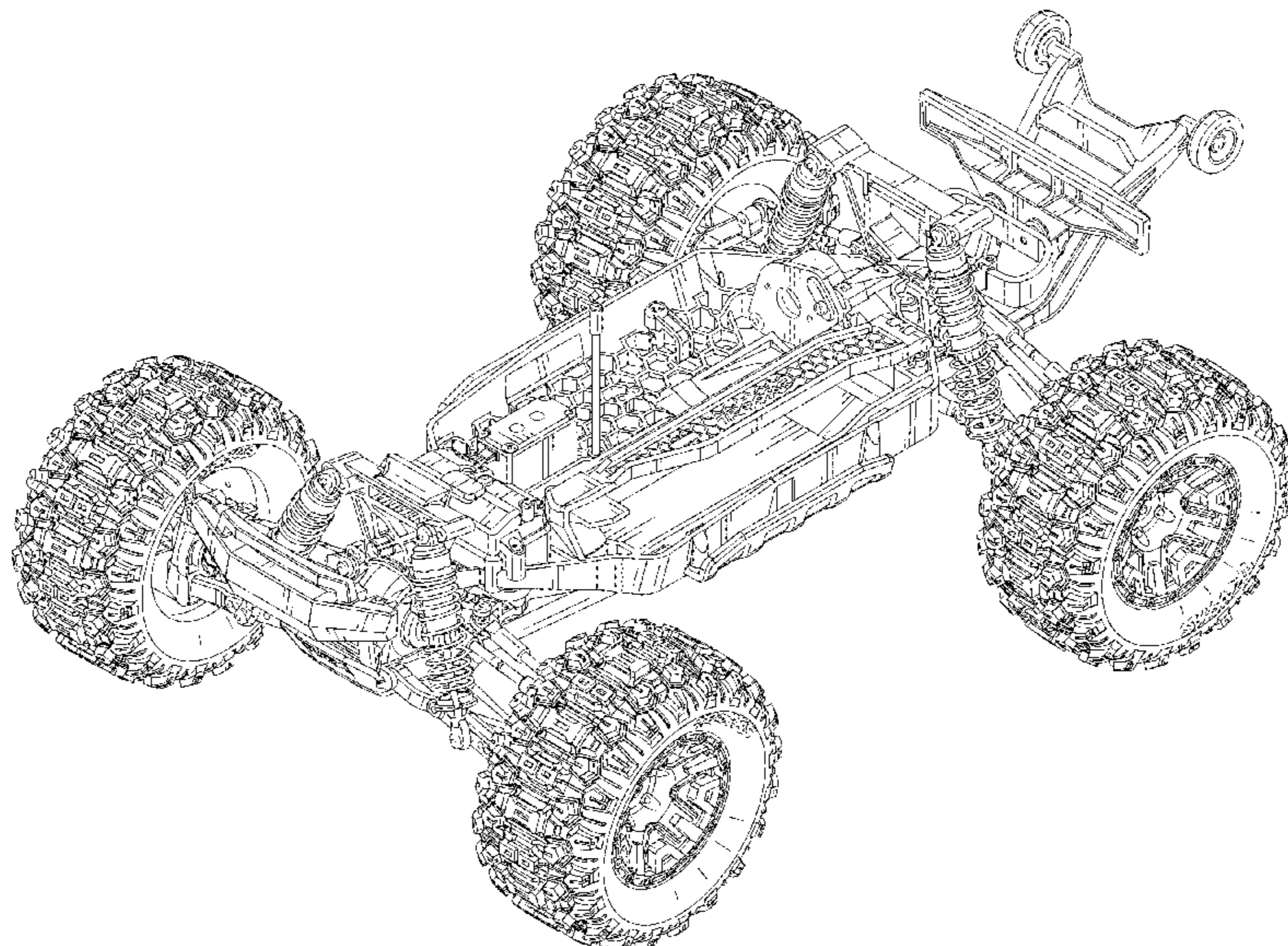
(57) **CLAIM**

I claim the ornamental design for a model vehicle platform assembly, as shown and described.

DESCRIPTION

FIG. 1 is an upper, left, front perspective view of a model vehicle platform assembly showing my new design; FIG. 2 is a front elevation view thereof; FIG. 3 is a rear elevation view thereof; FIG. 4 is a left side elevation view thereof; FIG. 5 is a right side elevation view thereof; FIG. 6 is an upper plan view thereof; FIG. 7 is a lower plan view thereof; FIG. 8 is a lower, left, front perspective view thereof; and, FIG. 9 is an upper, right, rear perspective view of the model vehicle platform assembly. In the drawings, the broken lines illustrate portions of the model vehicle platform assembly that form no part of the claimed design.

1 Claim, 9 Drawing Sheets



(56)

References Cited

U.S. PATENT DOCUMENTS

D556,648 S 12/2007 Nelson et al.
 D564,410 S 3/2008 Lepage
 D567,886 S 4/2008 Lampert et al.
 D570,735 S * 6/2008 Ogihara D12/82
 D577,083 S * 9/2008 Nakayama D21/562
 D586,695 S 2/2009 Burns
 D586,696 S 2/2009 Burns
 D593,616 S * 6/2009 Asai D21/562
 D597,151 S * 7/2009 Ishikawa D21/562
 D639,207 S 6/2011 Danisi
 D642,090 S 7/2011 Karacabey et al.
 D642,091 S 7/2011 Karacabey et al.
 D642,960 S 8/2011 Berrier
 D647,002 S 10/2011 Mullen
 D651,133 S 12/2011 Liebl
 D655,236 S 3/2012 Sanschagrín
 D655,668 S 3/2012 Levorato et al.
 D681,542 S 5/2013 Oliver
 D691,523 S 10/2013 Waugh et al.
 D758,281 S 6/2016 Galloway
 D761,713 S 7/2016 Hensley
 D766,157 S 9/2016 Reynolds et al.
 D778,784 S 2/2017 Hirooka
 D781,207 S 3/2017 Johnson
 D783,502 S 4/2017 Hensley
 D783,503 S 4/2017 Hensley
 D783,726 S 4/2017 Williams et al.
 D802,685 S * 11/2017 Barajas D21/562
 D810,148 S 2/2018 Loew et al.

D816,009 S 4/2018 Reynolds et al.
 D820,736 S 6/2018 Vaarsi
 D822,126 S * 7/2018 Allmendinger D21/562
 D826,831 S 8/2018 Eck et al.
 D829,831 S 10/2018 Redlin et al.
 D836,501 S 12/2018 Mori
 D844,070 S * 3/2019 Christensen D21/562
 D851,183 S * 6/2019 Wood D21/562

OTHER PUBLICATIONS

AMIYA 57986 1:10 RC TT-02 Chassis First Try On-Road Vehicle, Aug. 19, 2016, Amazon.co.uk, Sep. 22, 2021, URL: <https://www.amazon.co.uk/Tamiya-57986-10-RC-Chassis-First/dp/B01JLF7GB0> (Year: 2016).*

NEWRICE Remote Control Car Building Blocks Kit, 1:12 Scale MOC Off-Road Vehicle, May 25, 2021, Amazon.co.uk, Sep. 22, 2021, URL: <https://www.amazon.co.uk/NEWRICE-Remote-Control-Building-Blocks/dp/B0912YKHM4> (Year: 2021).*

Axial SCX10 II 2000 Jeep Cherokee 1/10th Scale Electric 4WD—RTR; <http://www.axialracing.com/products/ax90047>; Aug. 2016.

Axial SCX10 Deadbolt 1/10th Scale Electric 4WD—RTR; <http://www.axialracing.com/products/ax90044>; Aug. 2016.

Tibus Off-Road Engineering; Land Rover Defender; <http://www.tibus-offroad.com/en/products/bolt-on-portals/land-rover/>; Aug. 2016.

HPI Racing; HPI Venture FJ Cruiser; <http://www.hpiracing.com/en/article/view/2016012702>; Aug. 2016.

Traxxas; Slash 4x4 Overview; Oct. 2009.

* cited by examiner

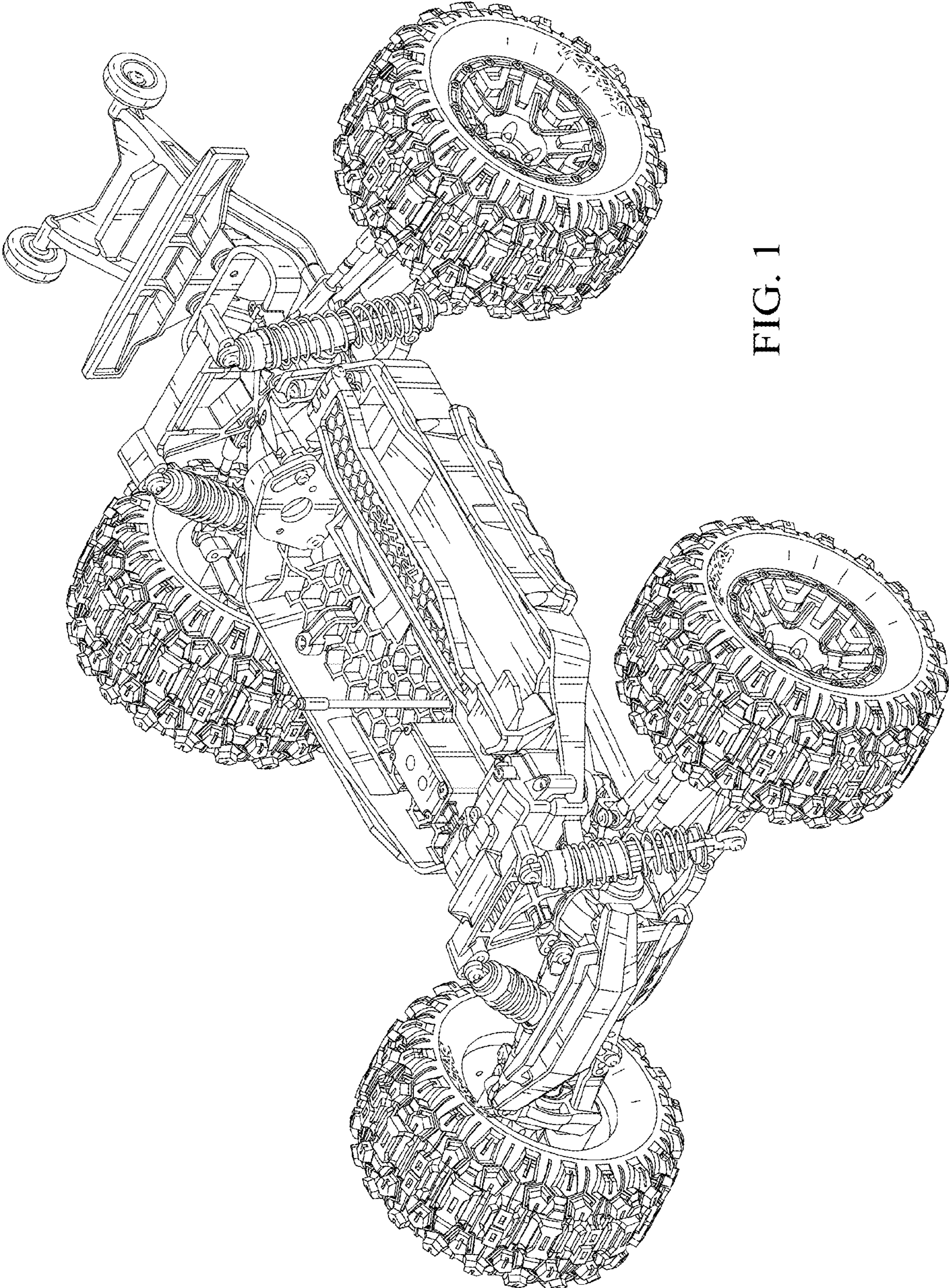


FIG. 1

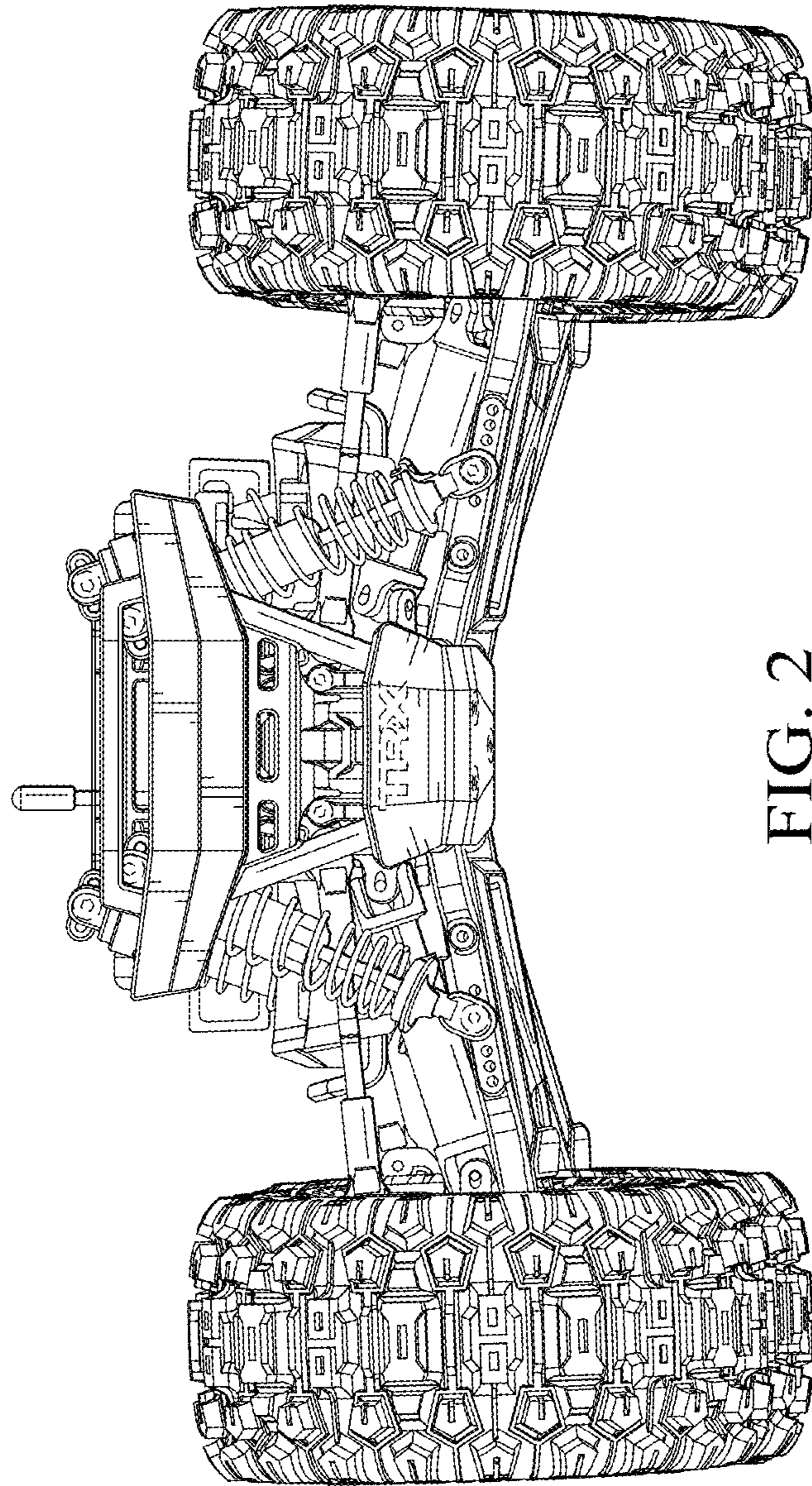


FIG. 2

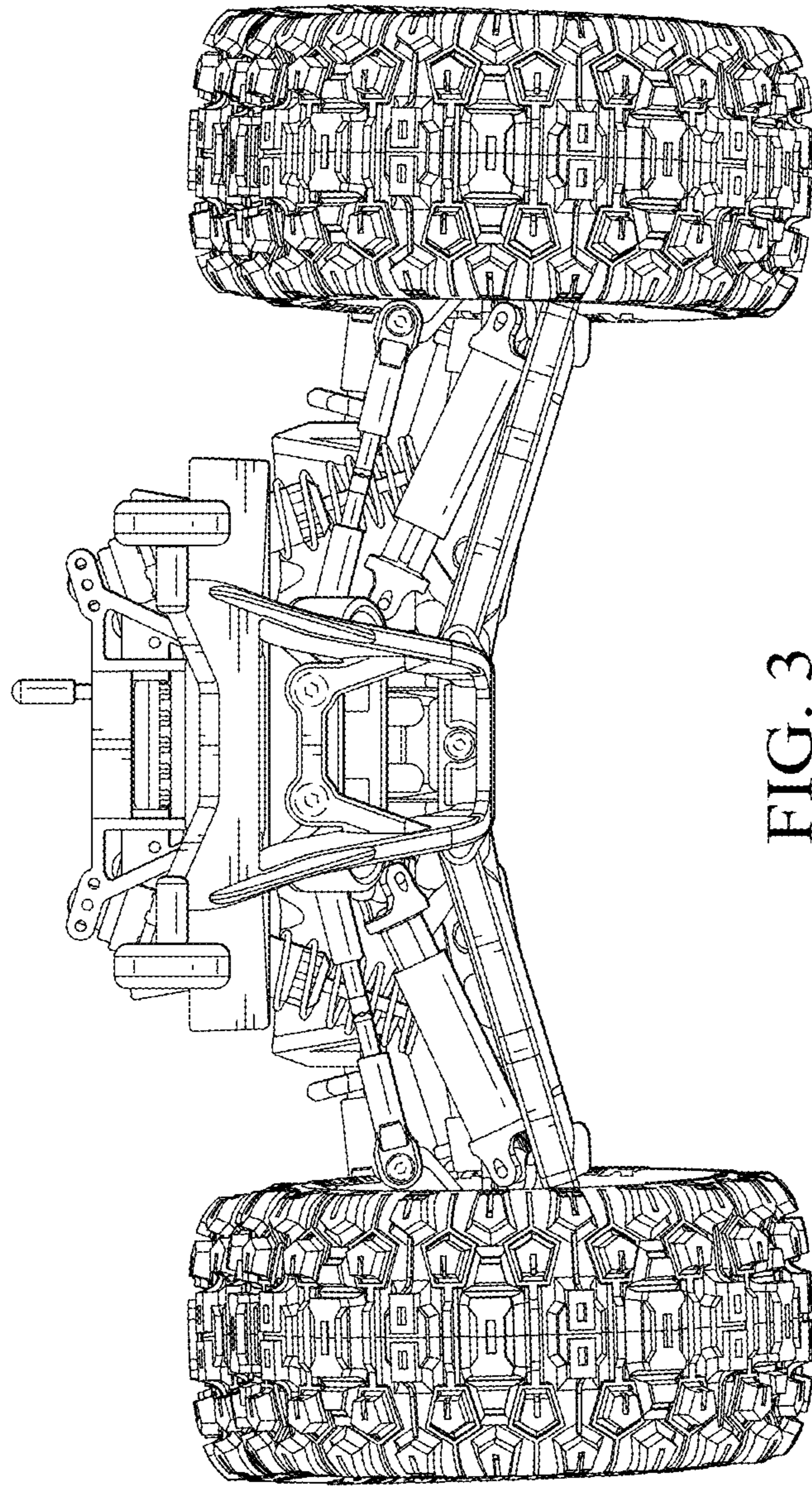


FIG. 3

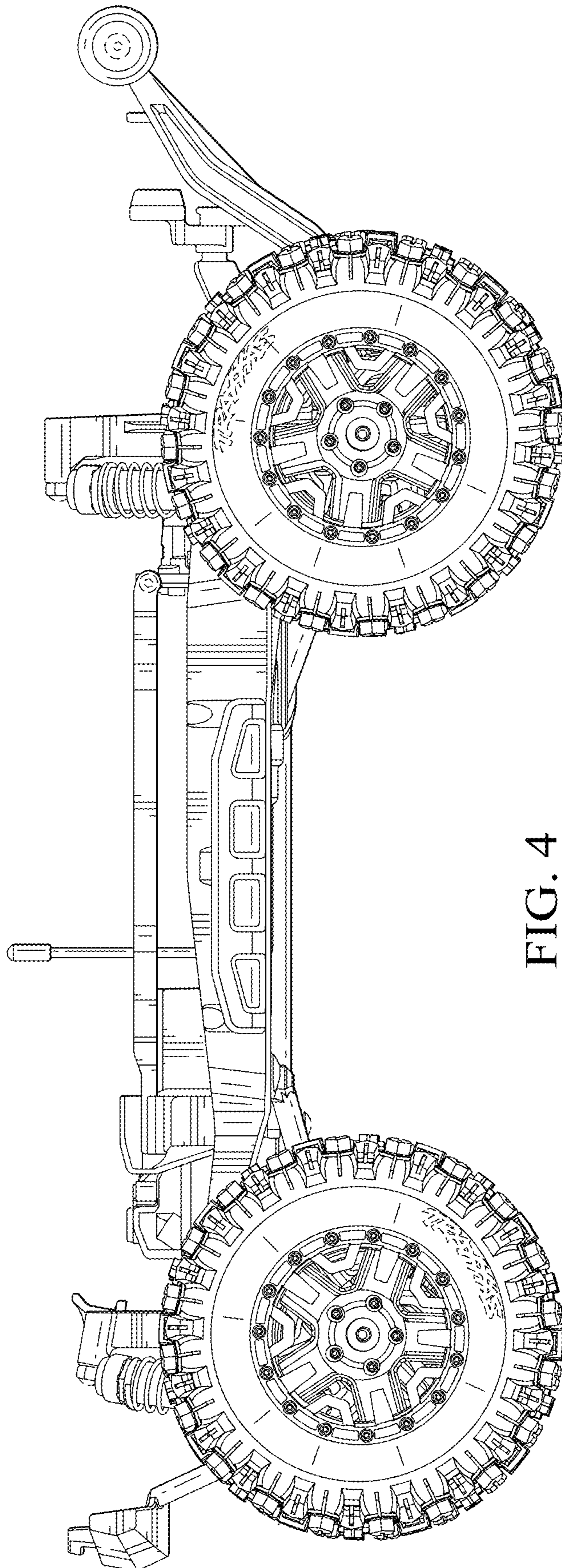


FIG. 4

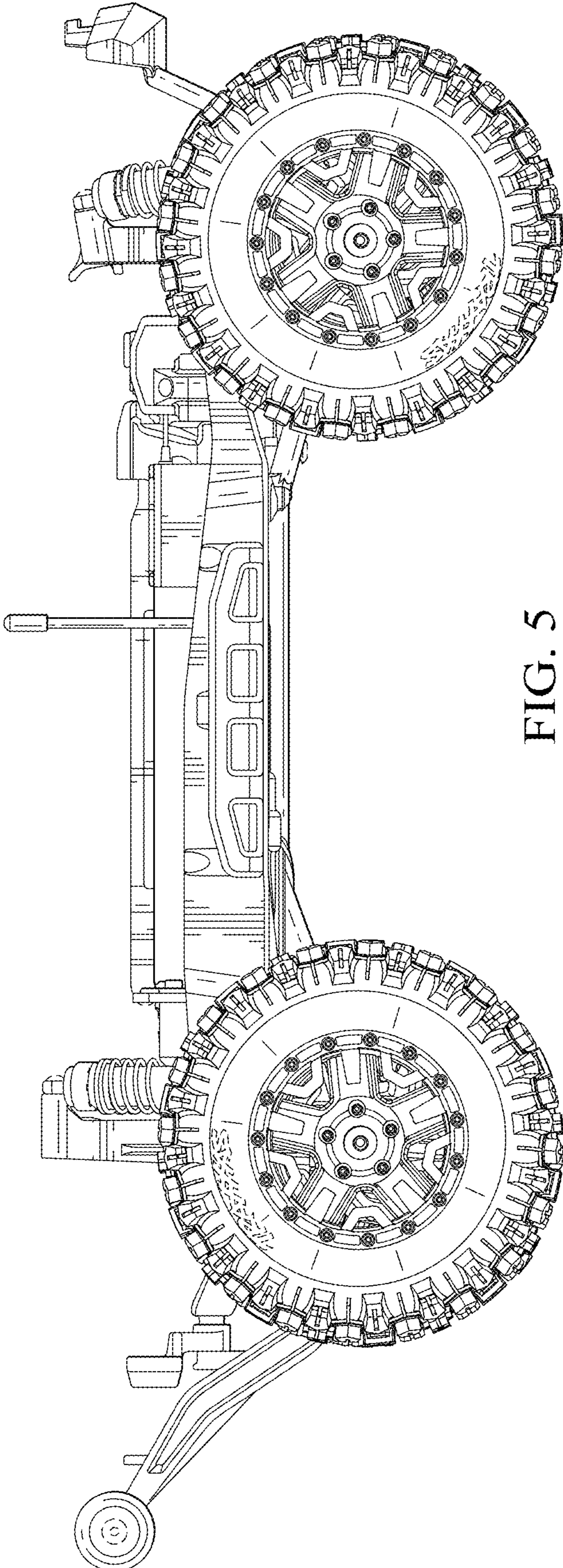


FIG. 5

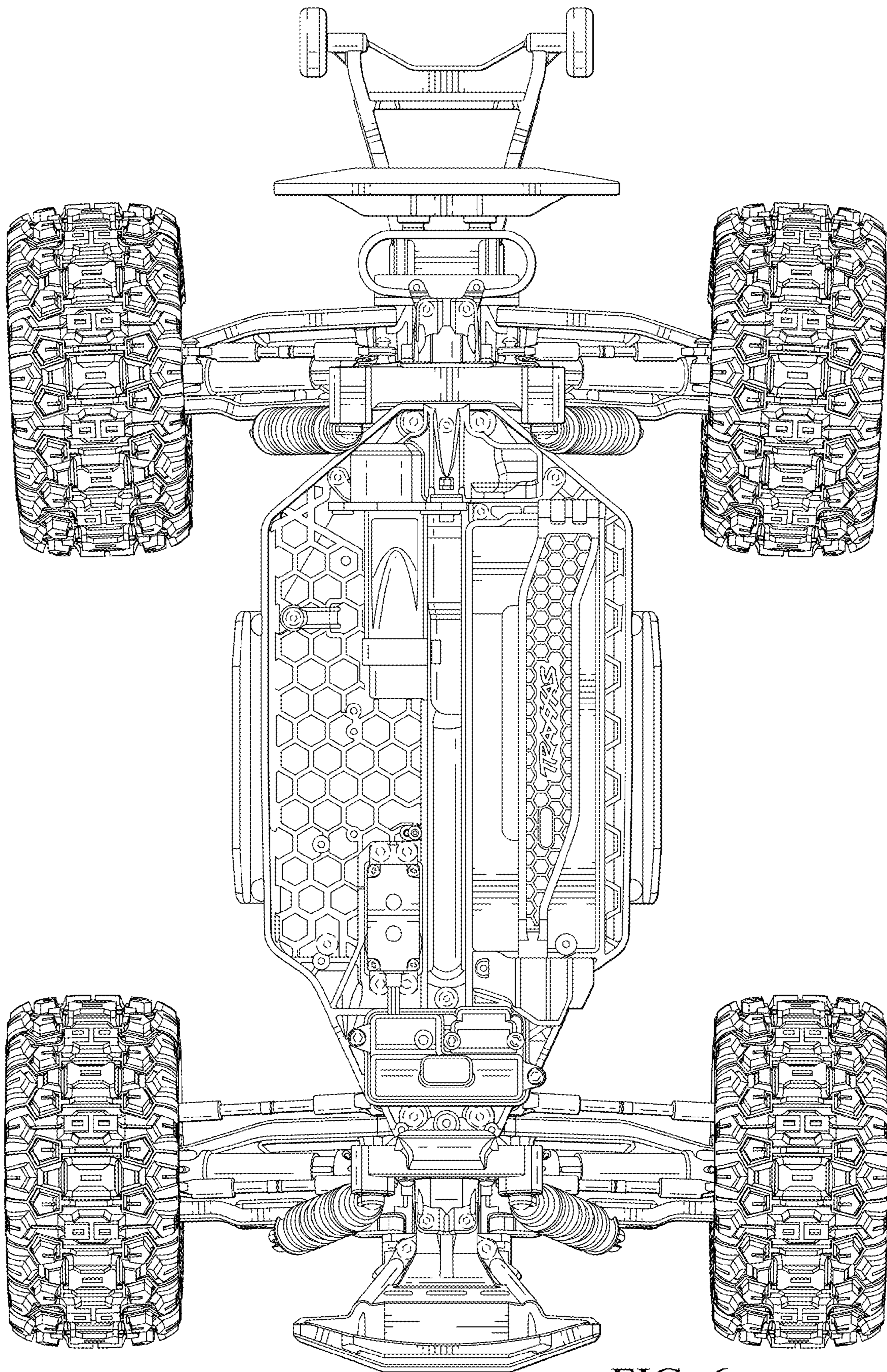


FIG. 6

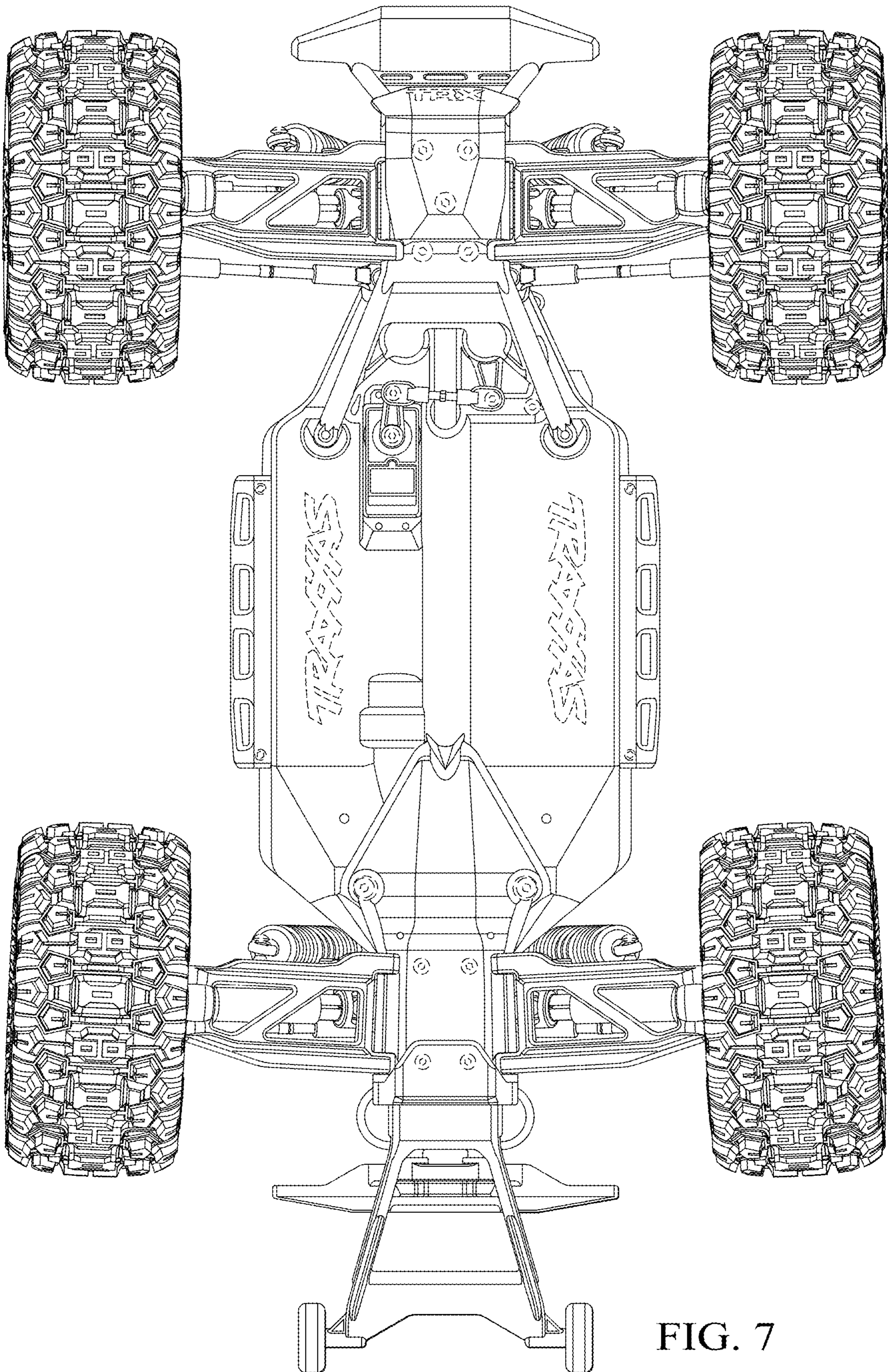


FIG. 7

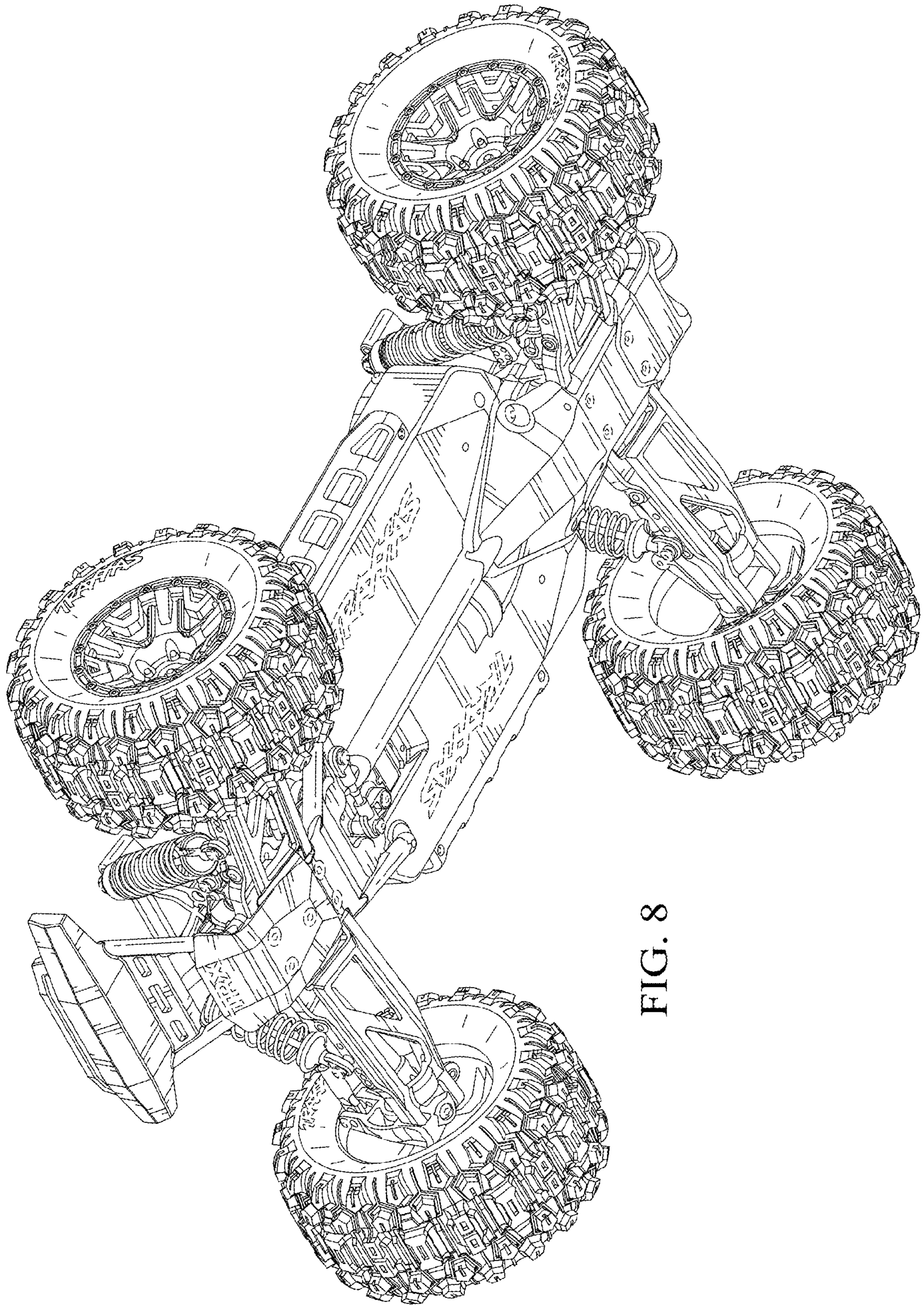


FIG. 8

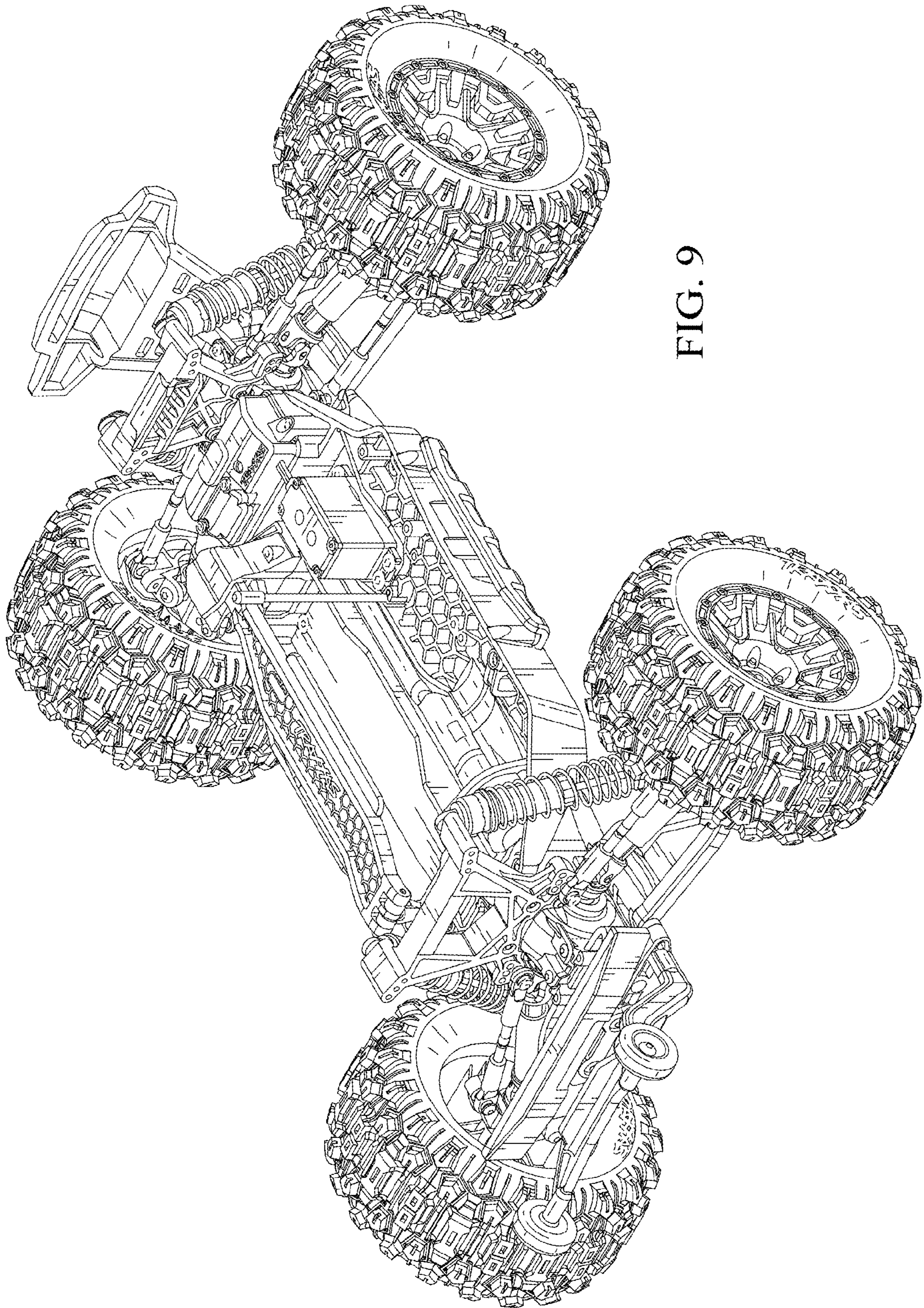


FIG. 9