



US00D935531S

(12) **United States Design Patent** (10) **Patent No.:** **US D935,531 S**
Barajas et al. (45) **Date of Patent:** **** Nov. 9, 2021**

(54) **MODEL VEHICLE BODY ASSEMBLY**
 (71) Applicant: **TRAXXAS LP**, McKinney, TX (US)
 (72) Inventors: **Jaime Felix Barajas**, Dallas, TX (US);
Adam Cole Ewing, McKinney, TX
 (US); **Kent Poteet**, Lucas, TX (US);
Otto Karl Allmendinger, Rowlett, TX
 (US)

5,334,078 A 8/1994 Hippely et al.
 D385,245 S 10/1997 Gallitzendoerfer et al.
 D404,691 S * 1/1999 Gerisch D12/92
 D425,141 S 5/2000 Park
 D458,188 S 6/2002 Wyszogrod et al.
 D466,451 S 12/2002 Trostle et al.
 D496,409 S 9/2004 Tilbor

(Continued)

(73) Assignee: **TRAXXAS LP**, McKinney, TX (US)
 (**) Term: **15 Years**

Redcat Racing R180-BL Rock Crawler Body, May 1, 2015, amazon.com, Sep. 23, 2021, URL: https://www.amazon.com/Redcat-Racing-Rock-Crawler-Scale/dp/B00YBXN5YK/ref=psdc_6925967011_t1_B00N1P7GJE (Year: 2015).*

(Continued)

(21) Appl. No.: **29/730,196**
 (22) Filed: **Apr. 2, 2020**
 (51) **LOC (13) Cl.** **21-01**
 (52) **U.S. Cl.**
 USPC **D21/548**
 (58) **Field of Classification Search**
 USPC D21/433, 548-549, 552, 562; D12/159
 CPC B62D 25/00; B62D 25/06; B62D 33/00;
 B62D 35/00
 See application file for complete search history.

Primary Examiner — Jack Reickel
Assistant Examiner — Keith J Wilson
 (74) *Attorney, Agent, or Firm* — Daryl R. Wright; Greg Carr

(57) **CLAIM**

We claim the ornamental design for a model vehicle body assembly, as shown and described.

(56) **References Cited**

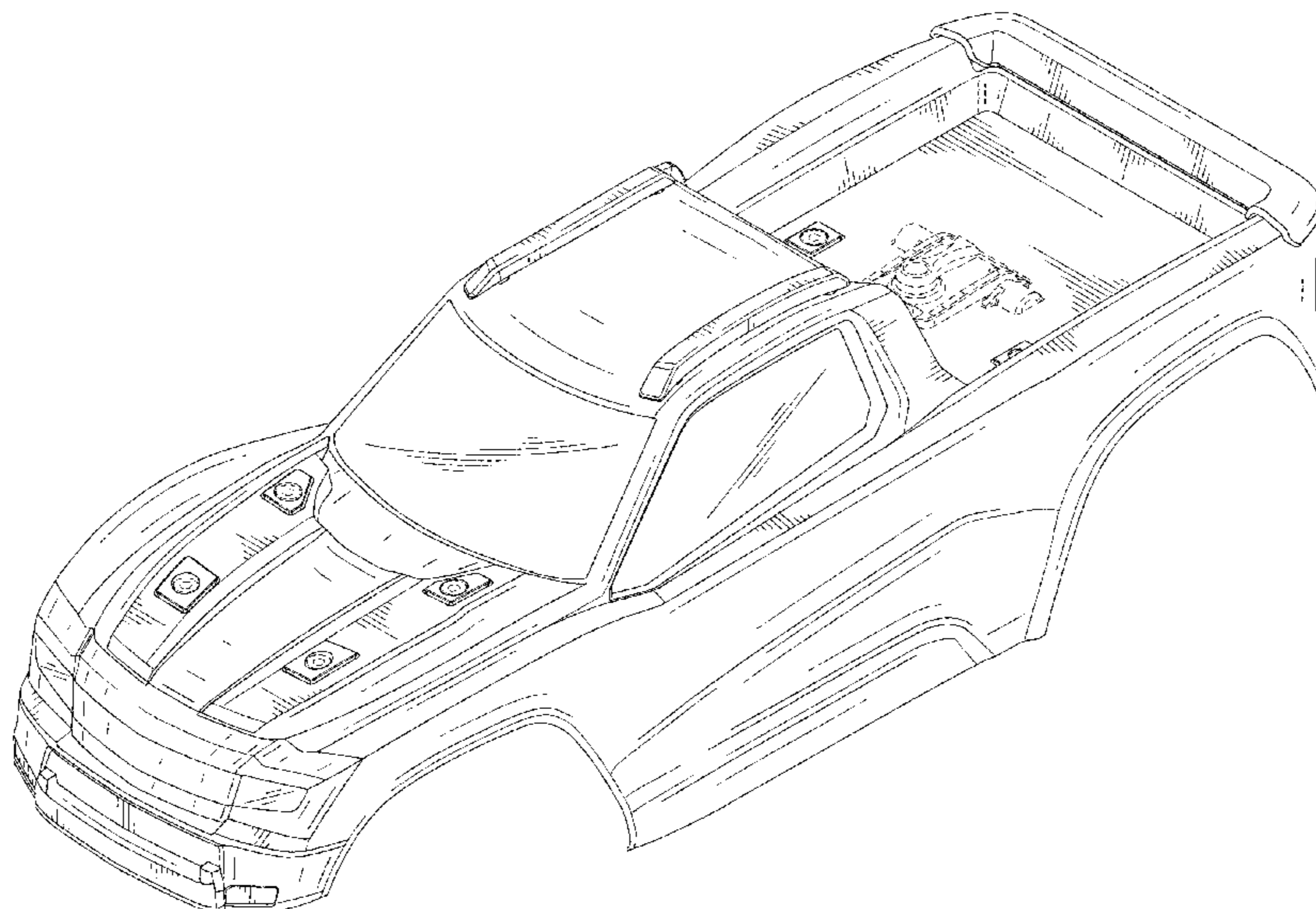
DESCRIPTION

U.S. PATENT DOCUMENTS

D203,841 S 2/1966 Power
 3,464,153 A 9/1969 Small
 3,537,210 A 11/1970 Ieda
 D243,595 S 3/1977 Belz
 D251,725 S 5/1979 Cesaro
 D253,406 S 11/1979 Carabetta
 D254,128 S 2/1980 Carabetta
 D277,494 S 2/1985 Lerch
 D281,000 S 10/1985 Kuna et al.
 D288,681 S 3/1987 Telnack
 D293,310 S 12/1987 Clark et al.
 D293,564 S 1/1988 Mayhew et al.
 D307,248 S 4/1990 Dettling
 5,102,367 A 4/1992 Mullaney et al.
 5,228,880 A 7/1993 Meyer et al.

FIG. 1 is an upper, left, front perspective view of a model vehicle body assembly showing our new design;
 FIG. 2 is a front elevation view thereof;
 FIG. 3 is a rear elevation view thereof;
 FIG. 4 is a left side elevation view thereof;
 FIG. 5 is a right side elevation view thereof;
 FIG. 6 is an upper plan view thereof; and,
 FIG. 7 is a lower plan view of the model vehicle body assembly.
 In the drawings, the broken lines illustrate portions of the model vehicle body assembly that form no part of the claimed design.

1 Claim, 5 Drawing Sheets



(56)

References Cited

U.S. PATENT DOCUMENTS

D529,967 S 10/2006 Bowen et al.
 D538,861 S 3/2007 Takahashi
 7,217,170 B2 5/2007 Moll et al.
 D547,249 S * 7/2007 Kurtz D12/190
 D550,311 S 9/2007 Chen
 D566,788 S 4/2008 Pasko
 D566,789 S * 4/2008 Idiot D21/552
 D566,790 S 4/2008 Idiot
 D567,301 S 4/2008 Idiot
 7,387,558 B2 6/2008 Swisher et al.
 D579,823 S 11/2008 Choi
 D592,256 S 5/2009 Yaguchi
 D593,163 S 5/2009 Torres et al.
 D598,811 S 8/2009 Honeycutt et al.
 D603,295 S 11/2009 Honeycutt et al.
 D605,083 S 12/2009 Manoogian, II et al.
 D612,767 S 3/2010 Barkan
 D617,851 S 6/2010 Stoddard
 D630,971 S 1/2011 Jung
 D671,454 S 11/2012 Davidson et al.
 8,342,904 B2 1/2013 Torres
 D693,737 S 11/2013 Hammoud et al.
 D703,101 S 4/2014 deNatale et al.
 D707,608 S 6/2014 Smith
 D709,007 S 7/2014 Henry et al.
 D709,008 S 7/2014 Brzustowicz et al.
 D709,009 S 7/2014 Brzustowicz et al.
 D728,037 S 4/2015 Barajas et al.
 D740,180 S 10/2015 Agnew et al.
 D740,181 S 10/2015 Agnew et al.
 D741,416 S 10/2015 Barajas et al.
 D741,956 S 10/2015 Barajas et al.
 D769,378 S 10/2016 Belker et al.
 D770,339 S 11/2016 Lindsey
 D770,350 S 11/2016 Lindsey
 D770,575 S 11/2016 Belker et al.
 D771,202 S 11/2016 Gan
 D771,203 S 11/2016 Gan
 D792,526 S 7/2017 Belker et al.
 D802,685 S 11/2017 Barajas et al.
 D826,341 S 8/2018 Poteet et al.
 D826,342 S 8/2018 Poteet et al.
 D826,343 S 8/2018 Poteet et al.
 D827,056 S 8/2018 Poteet et al.
 D832,368 S 10/2018 Barajas et al.

D841,743 S 2/2019 Barajas et al.
 D842,386 S 3/2019 Barajas et al.
 D842,387 S 3/2019 Barajas et al.
 D847,724 S 5/2019 Sprowl et al.
 D862,610 S * 10/2019 Barajas D21/548
 D862,611 S * 10/2019 Barajas D21/548
 D865,569 S 11/2019 Jeung et al.
 D869,570 S * 12/2019 Barajas D21/548
 D870,211 S 12/2019 Wozniak
 D870,824 S * 12/2019 Barajas D21/562
 D875,647 S * 2/2020 Barajas D12/548
 D876,555 S * 2/2020 Barajas D21/548
 D879,212 S * 3/2020 Barajas D21/562
 D904,531 S * 12/2020 Barajas D21/552
 D930,087 S * 9/2021 Barajas D21/562
 D930,760 S * 9/2021 Ewing D21/562
 2019/0160386 A1 5/2019 Kwan

OTHER PUBLICATIONS

Hosim RC Car Body Shell Cover SJ02 15-SJ02 for GPTOYS High Speed Monster Truck, Nov. 1, 2016, amazon.com, Sep. 23, 2021, URL: <https://www.amazon.com/15-SJ02-GPTOYS-Monster-Accessory-Supplies/dp/B0140S88TW> (Year: 2016).*

Redcat Racing 88030 Truck Body, 1/10 Scale, Nov. 4, 2009, amazon.com, URL: <https://www.amazon.com/Redcat-Racing-Truck-Scale-Black/dp/B002VN41WC> (Year: 2009).*

Hot Wheels Skull Crusher Diecast Toy Car-Race Vehicle by Mattel-Auto Racing Toys Cars Collection, Feb. 22, 2012, [online], [Retrieved on Aug. 10, 2015] URL: <https://www.youtube.com/watch?v=fR1BWC9bqzM>.

PROTOform; Protoform Ford GT 2017; <http://racepf.com/on-road-1-10-1-12/ford-gt-clear-body/>; Sep. 2016.

Monster truck 3d model, Earliest Available Date Sep. 20, 2019 [Online], [Site Visited Oct. 20, 2020] Available From Internet, URL: <https://www.turbosquid.com/3d-models/monster-truck-3d-model/488288> (Year: 2019).

Pro-Line Trencher LP 3.8" All Terrain Tires Mounted, Earliest Available Date Oct. 20, 2020 [Online], [Site Visited Oct. 20, 2020] Available From Internet, URL: https://www.rccaraction.com/pro-line-trencher-lp-3-8-terrain-tires-mounted/#visitor_pref_pop (Year: 2020).

* cited by examiner

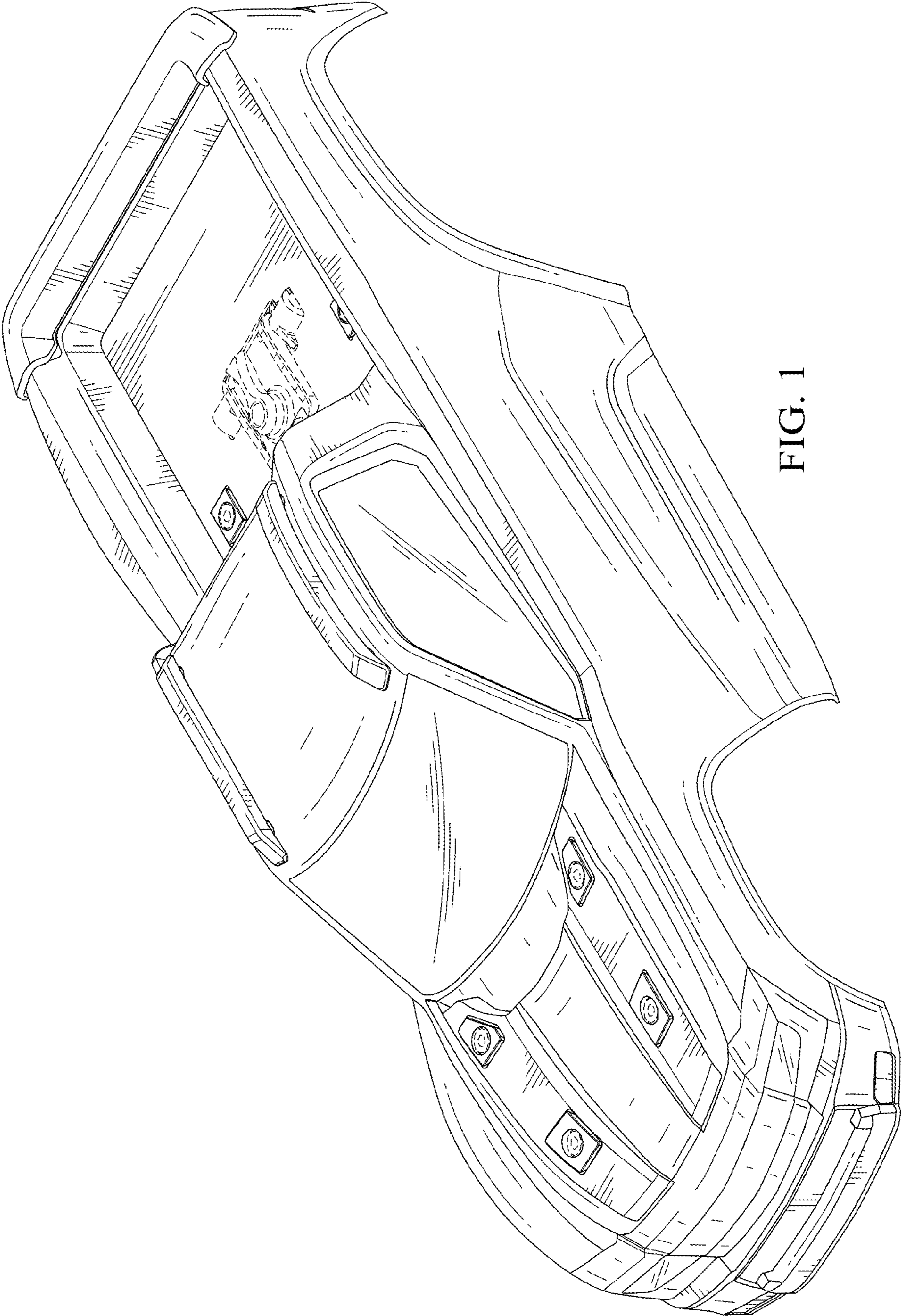


FIG. 1

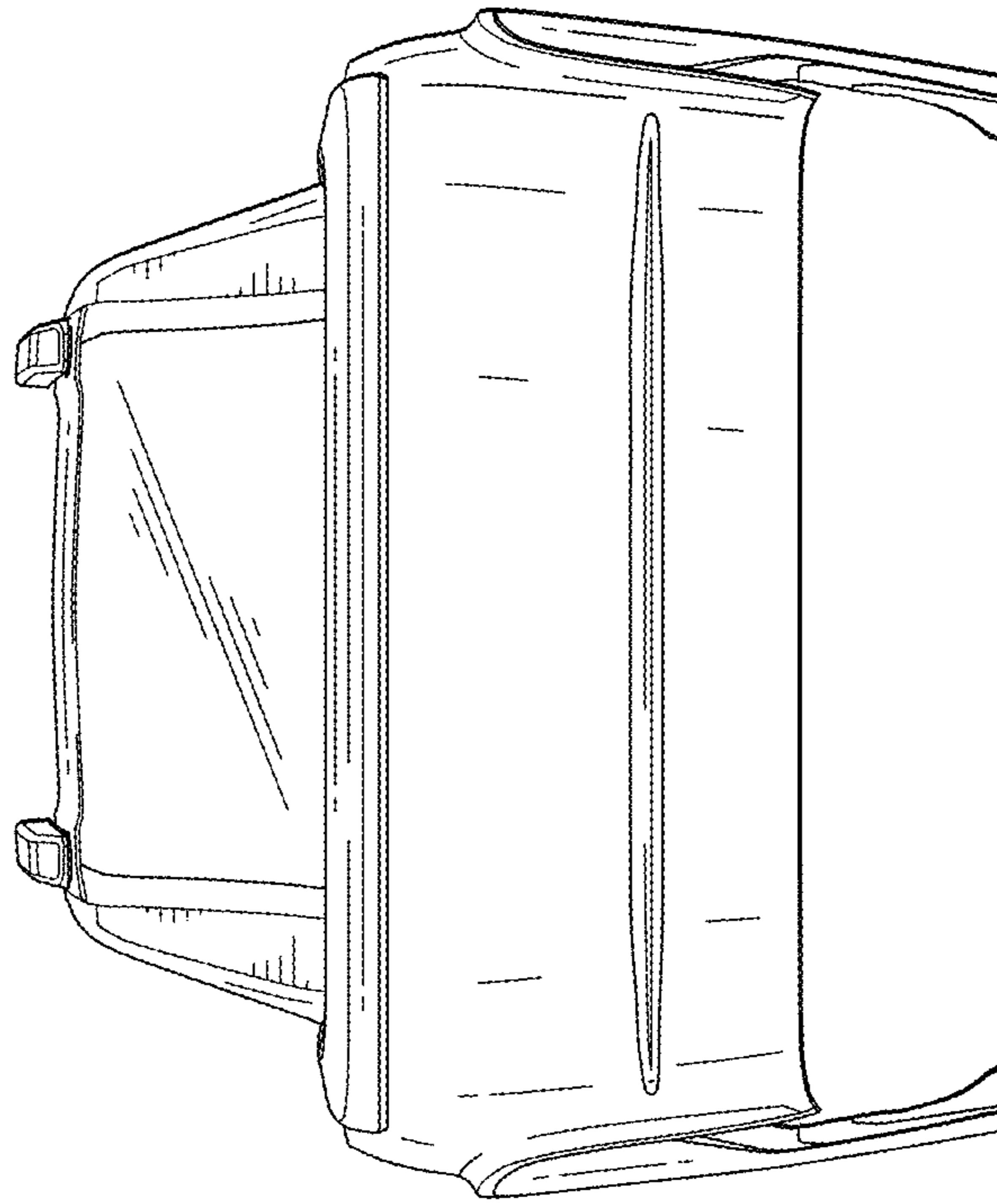


FIG. 3

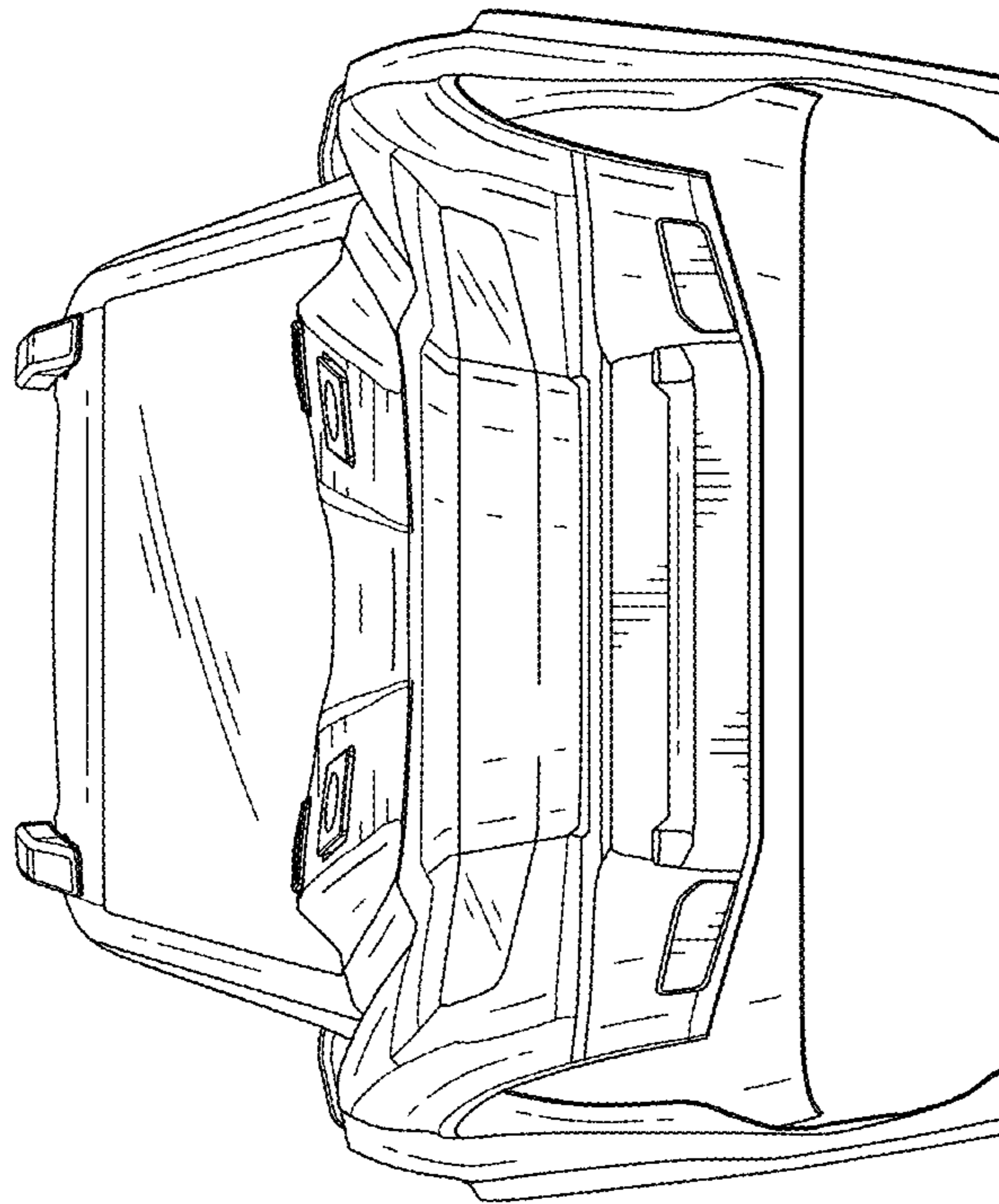


FIG. 2

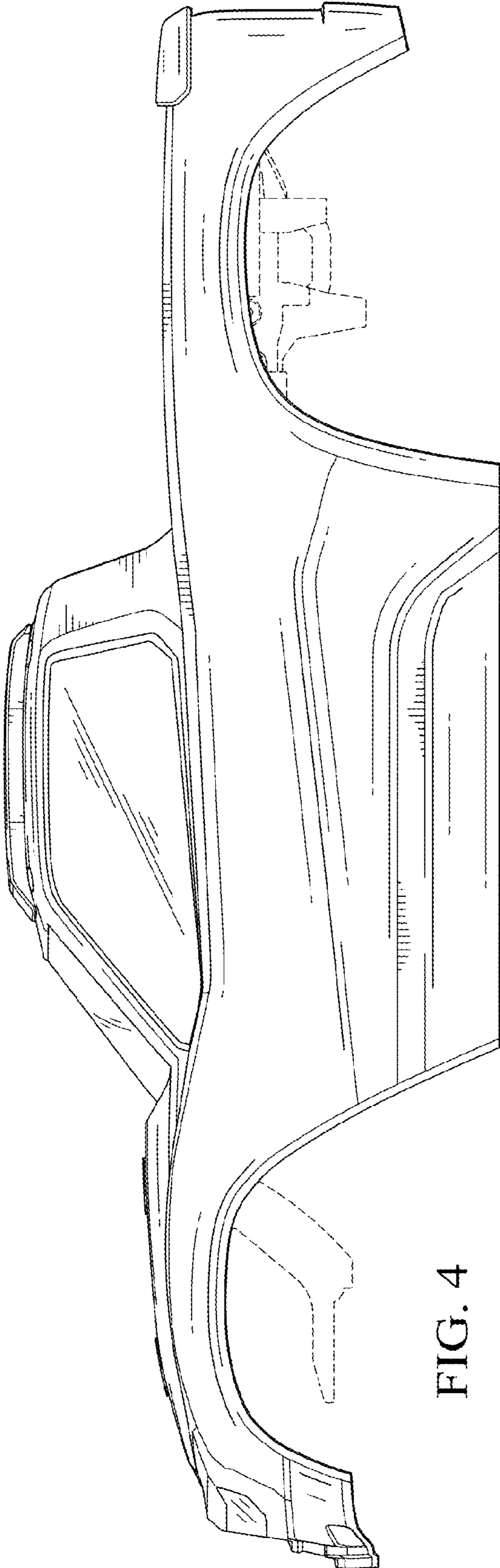


FIG. 4

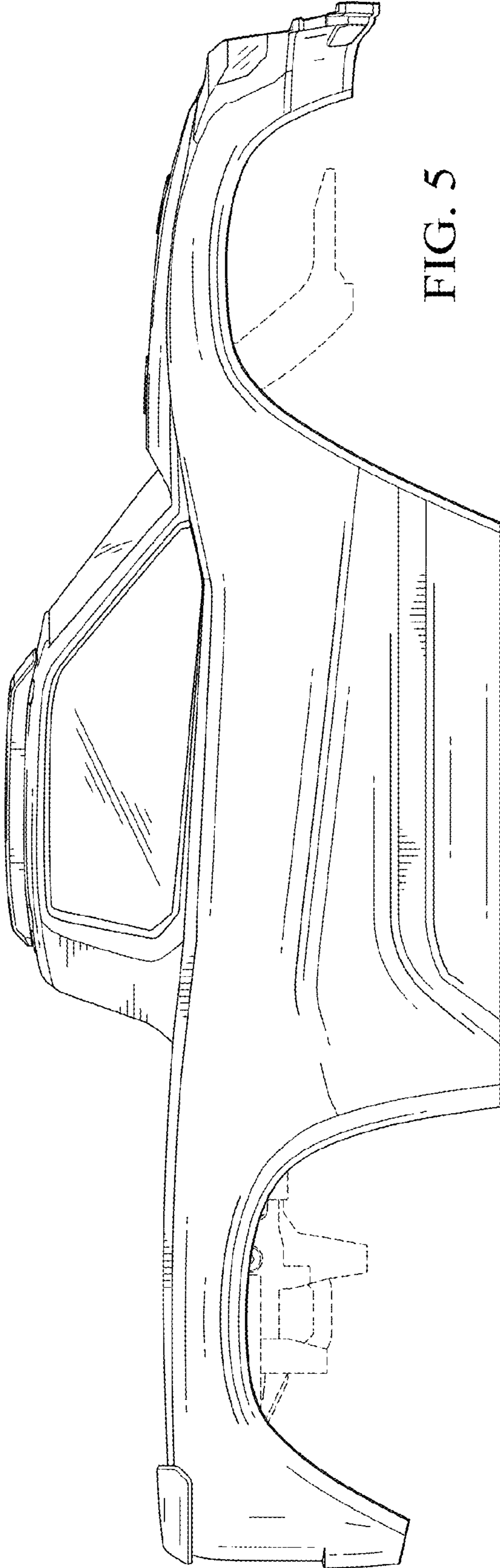


FIG. 5

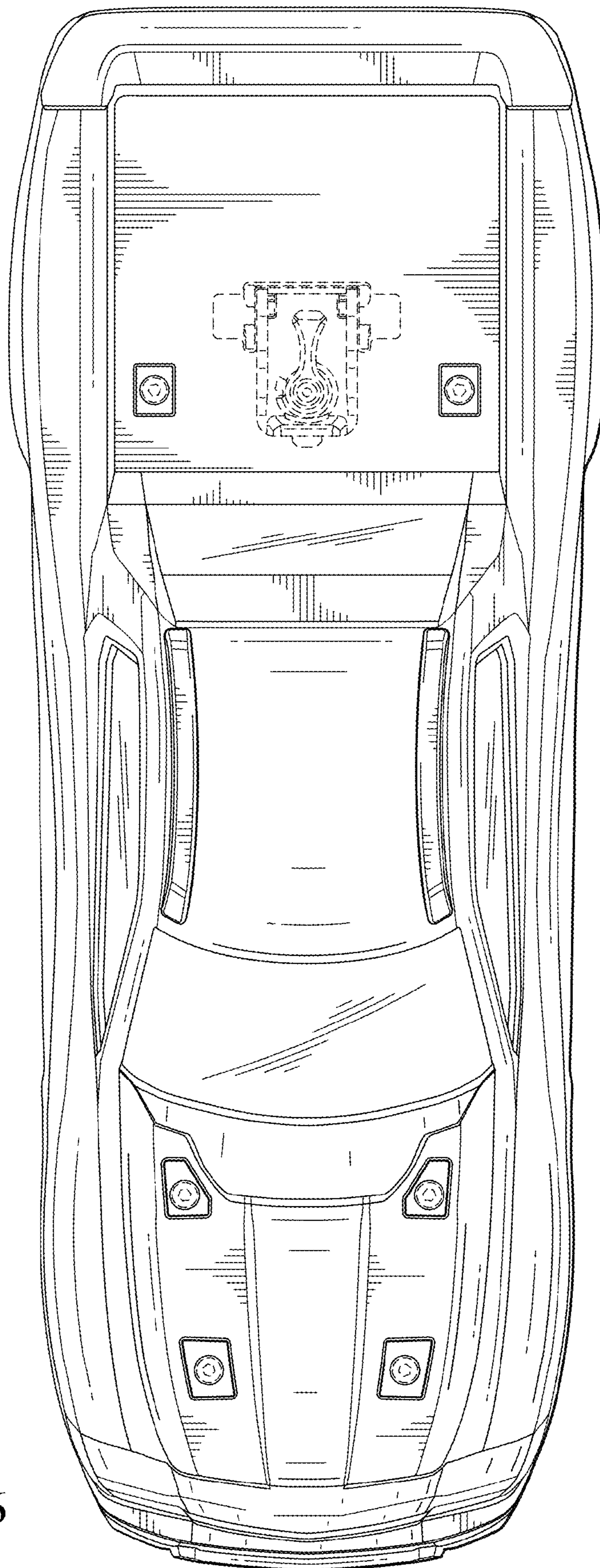


FIG. 6

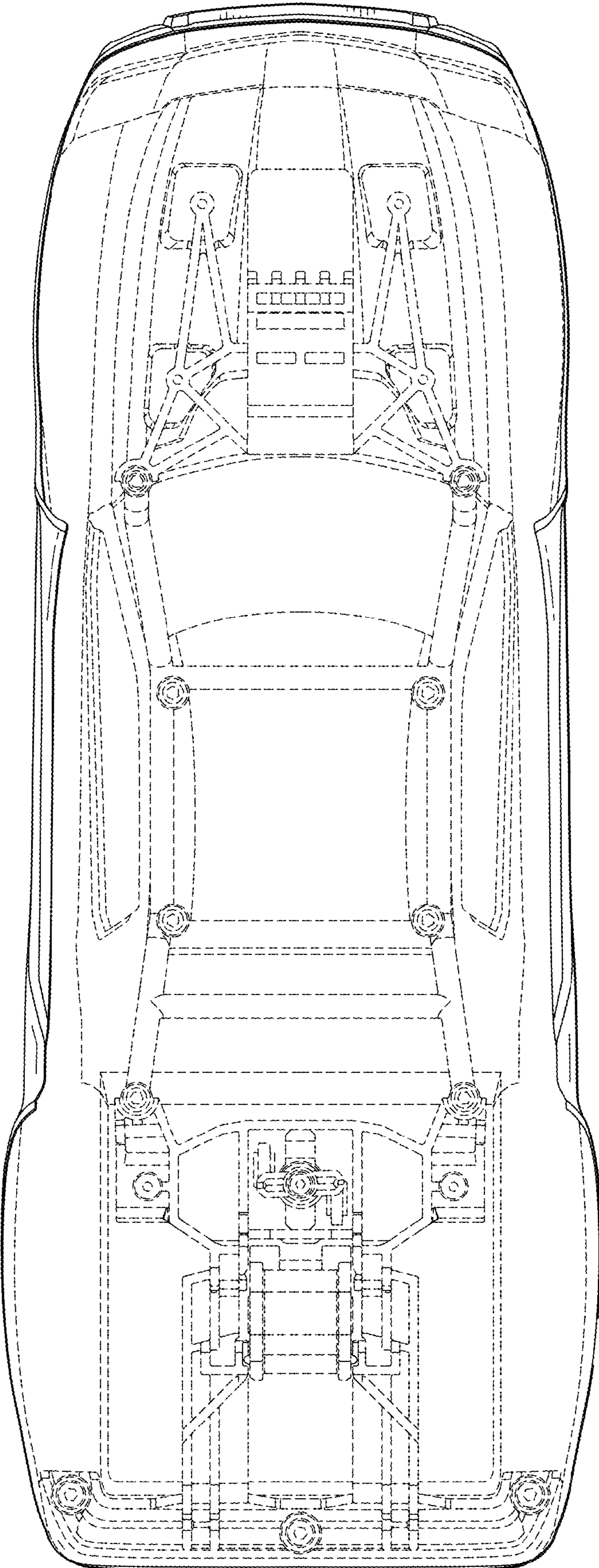


FIG. 7