



US00D935530S

(12) **United States Design Patent**
Tapie

(10) **Patent No.:** **US D935,530 S**

(45) **Date of Patent:** **** Nov. 9, 2021**

(54) **VEHICLE, TOY, AND/OR REPLICAS THEREOF**

(71) Applicant: **Falcon Automotive LLC**, Coral Gables, FL (US)

(72) Inventor: **Laurent Tapie**, Coral Gables, FL (US)

(73) Assignee: **FALCON AUTOMOTIVE LLC**, Coral Gables, FL (US)

(**) Term: **15 Years**

(21) Appl. No.: **29/720,191**

(22) Filed: **Jan. 10, 2020**

(51) **LOC (13) Cl.** **21-01**

(52) **U.S. Cl.**
USPC **D21/533**

(58) **Field of Classification Search**
USPC D21/424, 434, 433, 548, 549, 552, 554,
D21/580, 559, 581, 533, 550; D12/92,
D12/86, 90, 91, 88, 164
See application file for complete search history.

(56) **References Cited**

U.S. PATENT DOCUMENTS

D469,387 S * 1/2003 Ramaciotti D12/88
D785,503 S * 5/2017 Qu D12/88

D800,018 S * 10/2017 Jheow D12/88
D817,814 S * 5/2018 Nurnberger D12/88
D821,918 S * 7/2018 Seidl D12/88
D829,606 S * 10/2018 Jin D12/88
D844,489 S * 4/2019 Alexiev D12/88
D874,978 S * 2/2020 Bischoff D12/88

* cited by examiner

Primary Examiner — Khawaja Anwar
Assistant Examiner — Julice Seung Eun Oum

(57) **CLAIM**

The ornamental design for a vehicle, toy, and/or replicas thereof, as shown and described.

DESCRIPTION

FIG. 1 is a top-front-right perspective view of a vehicle, toy, and/or replicas thereof showing my new design; FIG. 2 is a top-rear-left perspective view thereof; FIG. 3 is a front elevational view thereof; FIG. 4 is a rear elevational view thereof; FIG. 5 is a top plan view thereof; FIG. 6 is a right-side elevational view thereof; and, FIG. 7 is a left-side elevational view thereof.

1 Claim, 7 Drawing Sheets

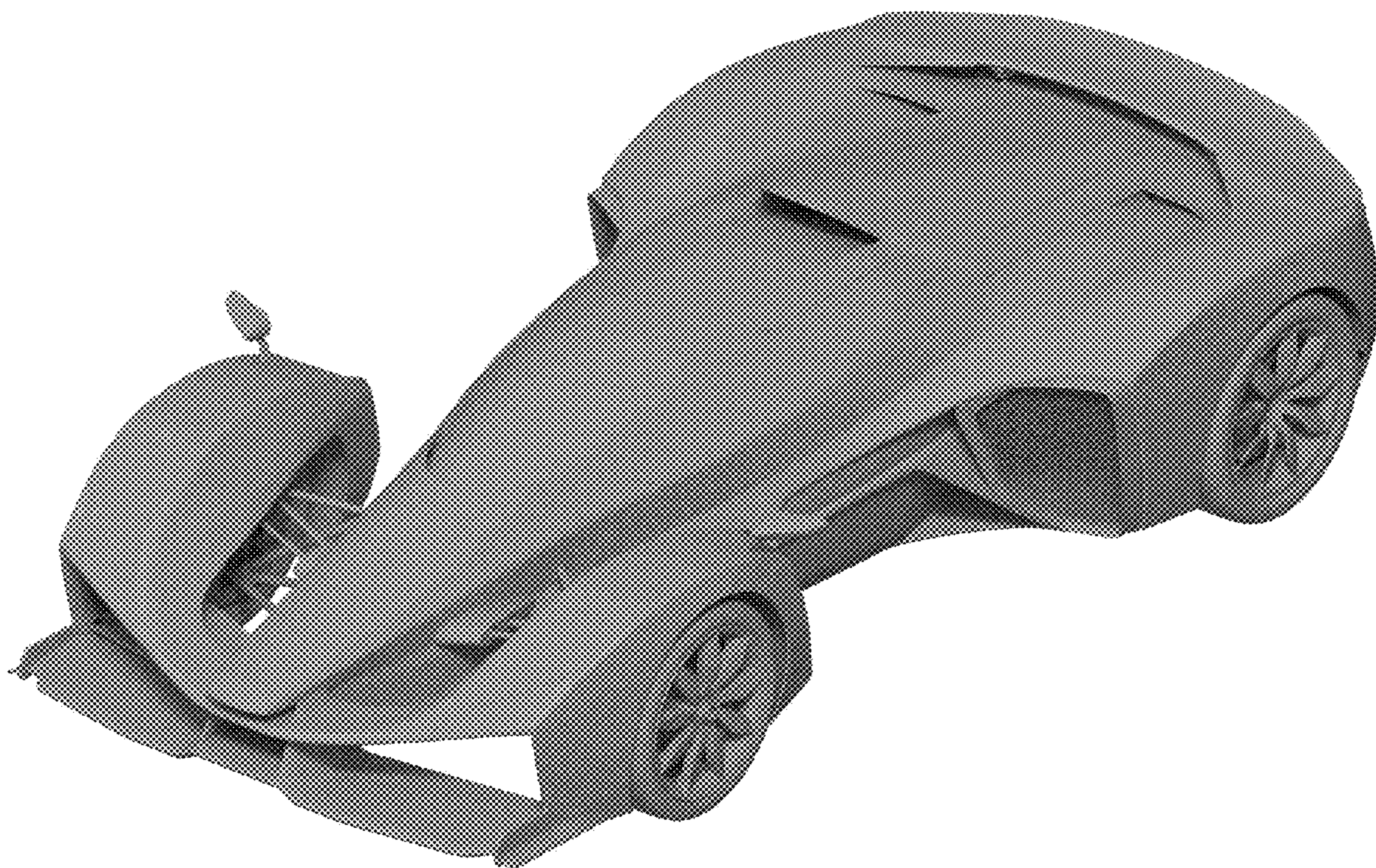




FIG. 1



FIG. 2

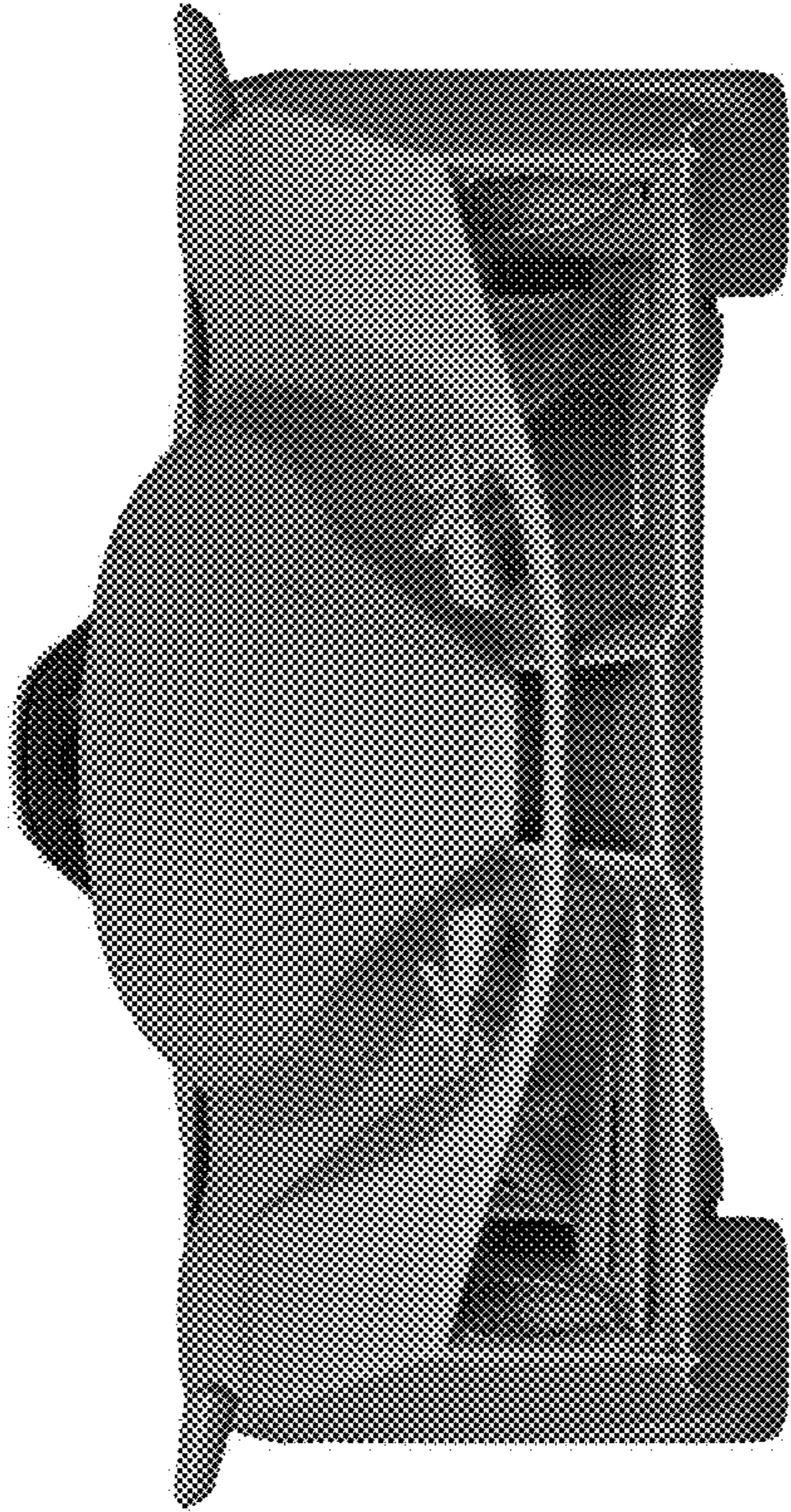


FIG. 3



FIG. 4

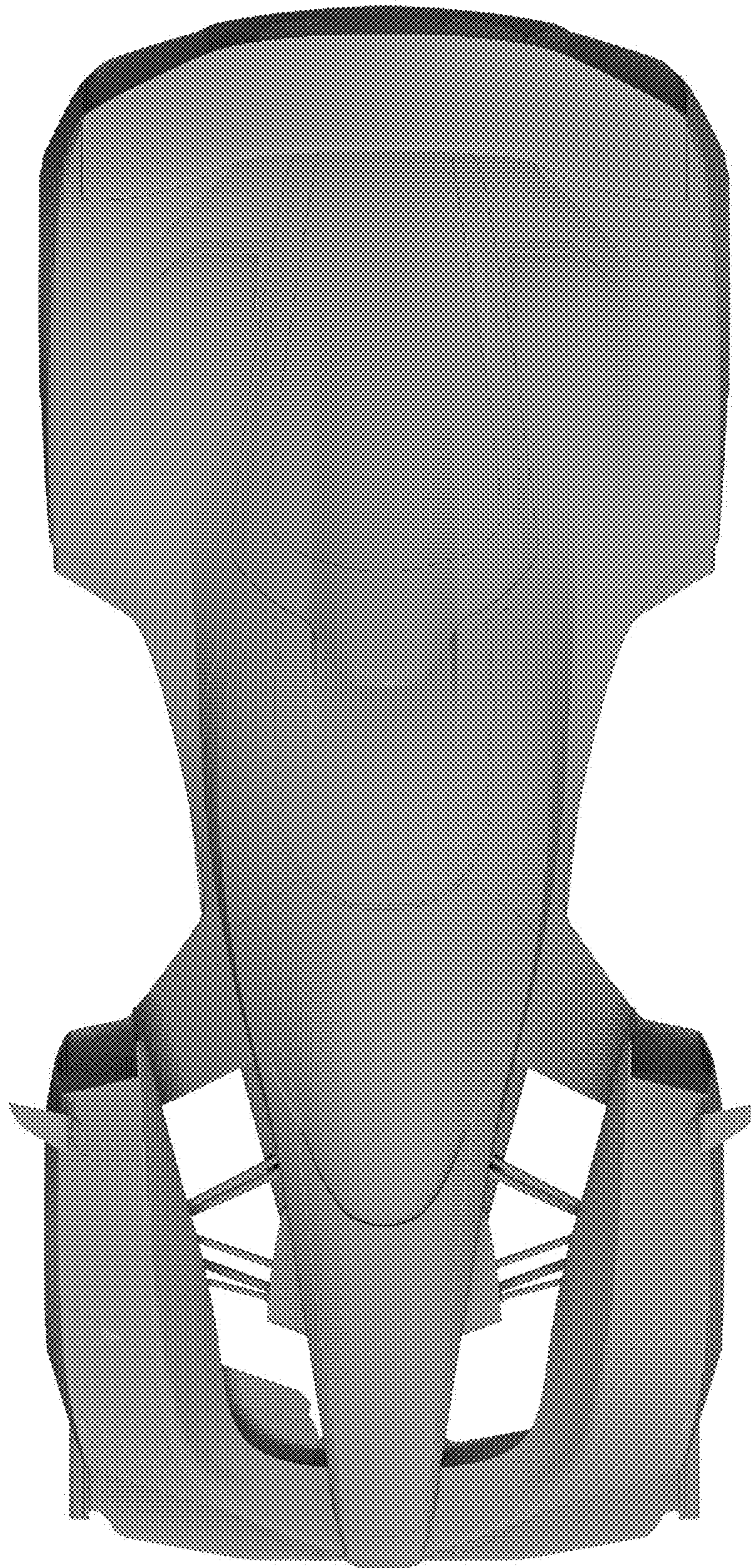


FIG. 5

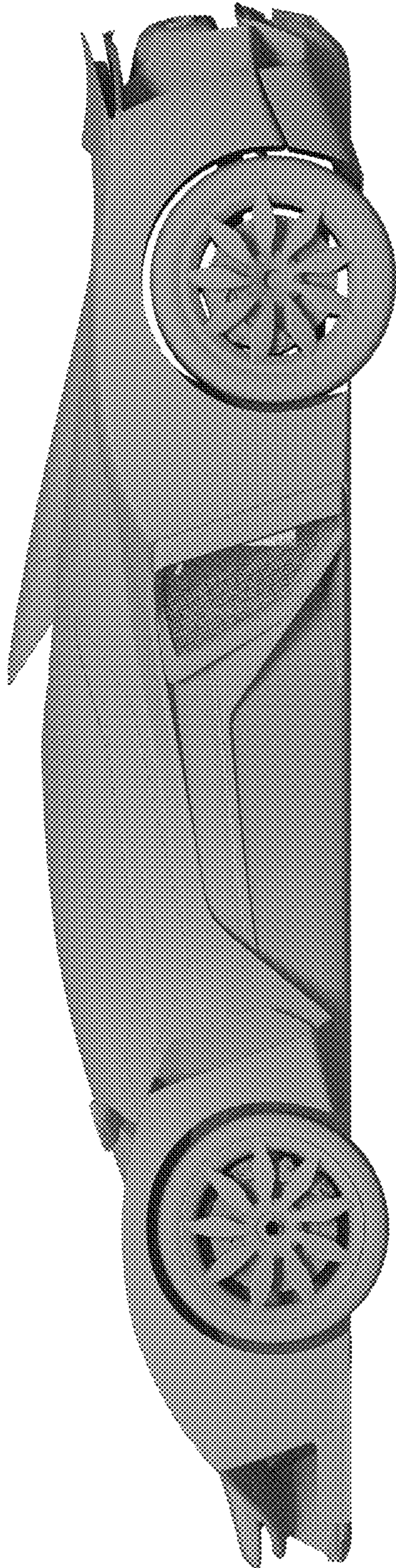


FIG. 6

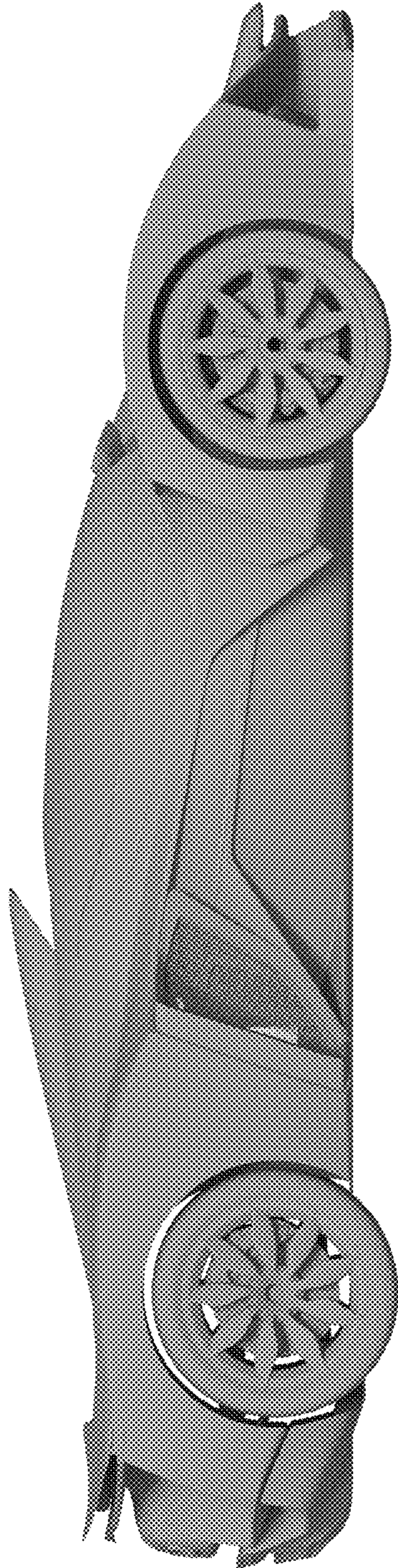


FIG. 7