



US00D935528S

(12) **United States Design Patent** (10) **Patent No.:** **US D935,528 S**  
**Budzak et al.** (45) **Date of Patent:** **\*\* Nov. 9, 2021**

(54) **MAGNETIC IDENTIFICATION LABEL**

(71) Applicant: **Whitmor, Inc.**, Southaven, MS (US)  
(72) Inventors: **Lauren Budzak**, Memphis, TN (US);  
**James Tabujara**, Memphis, TN (US);  
**Ashley Murphy**, Hinsdale, IL (US);  
**Marissa Hagemeyer**, Oakland Park, FL  
(US); **Lisa Ruff**, San Francisco, CA  
(US); **Lauren Combs**, Bingham Farms,  
MI (US)

(73) Assignees: **Whitmor, Inc.**, Southaven, MS (US);  
**NM Franchise Operations LLC**,  
Southaven, MS (US)

(\*\*) Term: **15 Years**

(21) Appl. No.: **29/721,661**

(22) Filed: **Jan. 22, 2020**

(51) **LOC (13) Cl.** ..... **19-08**

(52) **U.S. Cl.**  
USPC ..... **D20/27**

(58) **Field of Classification Search**  
USPC ..... D3/201, 215, 247, 249; D10/46, 52,  
D10/104.1, 104.2, 109.1, 109.2;  
D19/1-12; D20/10, 11, 18, 19, 22-29,  
D20/42, 43, 49

CPC ..... G09F 1/00; G09F 1/02; G09F 3/00; G09F  
3/02; G09F 3/10; G09F 3/14; G09F  
3/0288; G09F 2003/0021; G09F  
2003/0208; G09F 2003/023; G09F  
2003/0225; G09F 2003/0257; G09F  
2003/0264; G09F 2003/0266; G09F  
2003/0267; G09F 2003/0269; G09F  
2003/0272; G09F 2003/0273; G09F  
2003/0279; B42D 15/00

See application file for complete search history.

(56) **References Cited**

U.S. PATENT DOCUMENTS

1,950,053 A \* 3/1934 Hutt ..... G09F 3/12  
40/669  
3,074,133 A \* 1/1963 Jones ..... G09F 3/14  
40/668  
D293,694 S \* 1/1988 Alden ..... D20/27  
5,064,222 A \* 11/1991 Legault ..... G09F 3/0297  
283/71  
5,607,067 A \* 3/1997 Morrissey ..... B42D 5/005  
206/215  
5,827,591 A \* 10/1998 Blok ..... B42D 5/003  
428/41.7

(Continued)

OTHER PUBLICATIONS

Label Holder Sets, posted at Neatmethod.com, posted on Sep. 29,  
2020, site visited Mar. 1, 2021. online, available from internet:  
<https://neatmethod.com/products/label-holder-sets> (Year: 2020).\*

(Continued)

*Primary Examiner* — Mary Ann Calabrese

*Assistant Examiner* — Catherine Ho

(74) *Attorney, Agent, or Firm* — Stites & Harbison  
PLLC; Richard S. Myers, Jr.

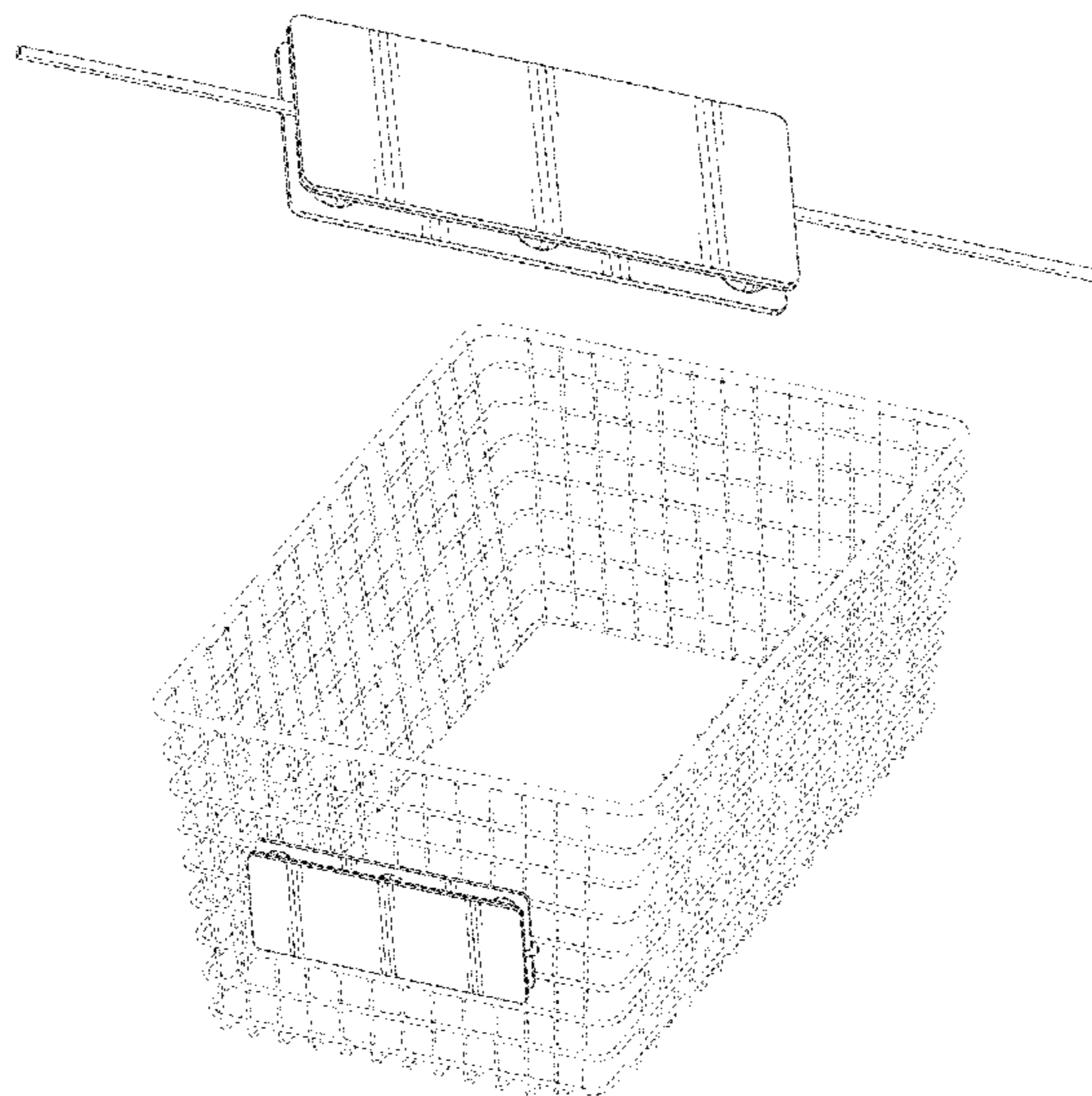
(57) **CLAIM**

The ornamental design for a magnetic identification label, as  
shown and described.

**DESCRIPTION**

FIG. 1 is a front perspective view of the design of a magnetic  
identification label, showing a new design;  
FIG. 2 is a top plan view thereof;  
FIG. 3 left side elevation view thereof;  
FIG. 4 is an end elevation view thereof; and,  
FIG. 5 is a front perspective view of the magnetic identifi-  
cation label shown in an environment of use.  
The broken line portion of the figure drawings is included to  
show environment that forms no part of the claimed design.

**1 Claim, 3 Drawing Sheets**



(56)

**References Cited**

U.S. PATENT DOCUMENTS

5,947,523 A \* 9/1999 Liegard ..... B42F 11/00  
 281/28  
 D439,183 S \* 3/2001 Diller, Jr. .... D10/109.1  
 7,290,953 B2 \* 11/2007 Regala ..... B42D 5/006  
 401/131  
 7,351,457 B1 \* 4/2008 Williard ..... G09F 3/0288  
 283/81  
 D674,022 S \* 1/2013 Rovinelli ..... D20/42  
 D676,490 S \* 2/2013 Bratter ..... D20/27  
 D702,765 S \* 4/2014 Williams ..... D20/22  
 8,777,913 B2 \* 7/2014 Schneider ..... A61F 13/551  
 604/385.01  
 D749,673 S \* 2/2016 Oropallo ..... D19/1  
 D765,869 S \* 9/2016 Camper ..... D24/189  
 D774,131 S \* 12/2016 Oropallo ..... D19/1  
 D810,827 S \* 2/2018 Morszeck ..... D20/27

D819,741 S \* 6/2018 Clegg ..... D20/22  
 D879,198 S \* 3/2020 Stevens ..... D19/37  
 2006/0024462 A1 \* 2/2006 Kuo ..... B42F 21/06  
 428/40.1  
 2008/0061547 A1 \* 3/2008 Jour ..... B43L 19/00  
 281/44  
 2009/0039638 A1 \* 2/2009 Jour ..... B42D 5/005  
 281/44  
 2011/0005672 A1 \* 1/2011 Toms ..... B32B 3/22  
 156/277

OTHER PUBLICATIONS

Erasable Magnetic Labels, posted at Containerstore.com, posted in 2010, site visited Mar. 1, 2021. online, available from internet: <https://www.containerstore.com/s/office/labels/erasable-magnetic-labels/12d?productId=10011725> (Year: 2010).\*

\* cited by examiner

FIG. 1

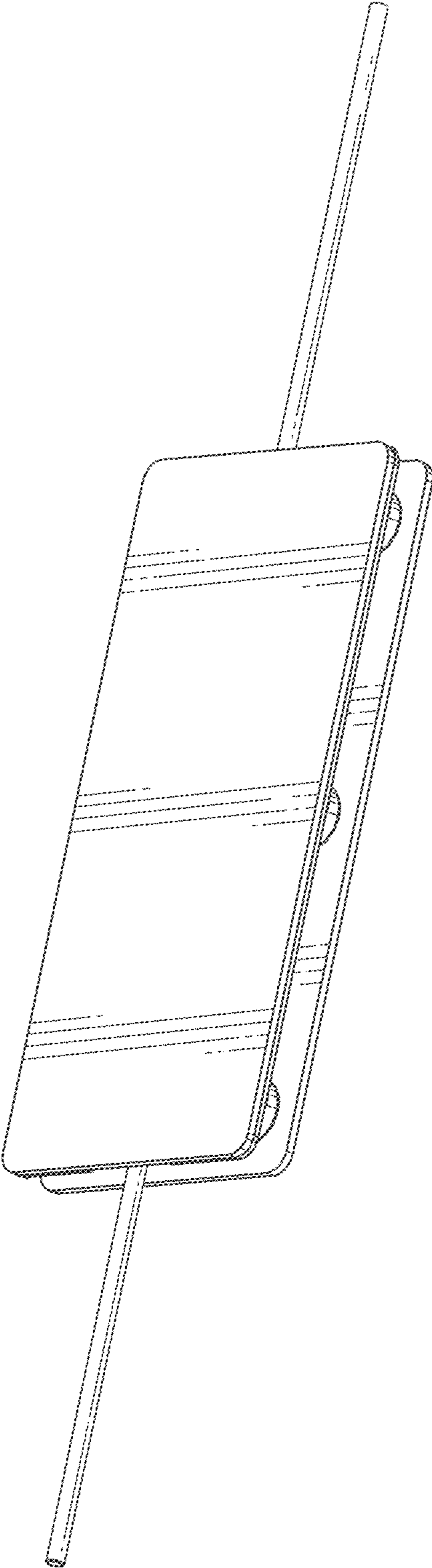


FIG. 2

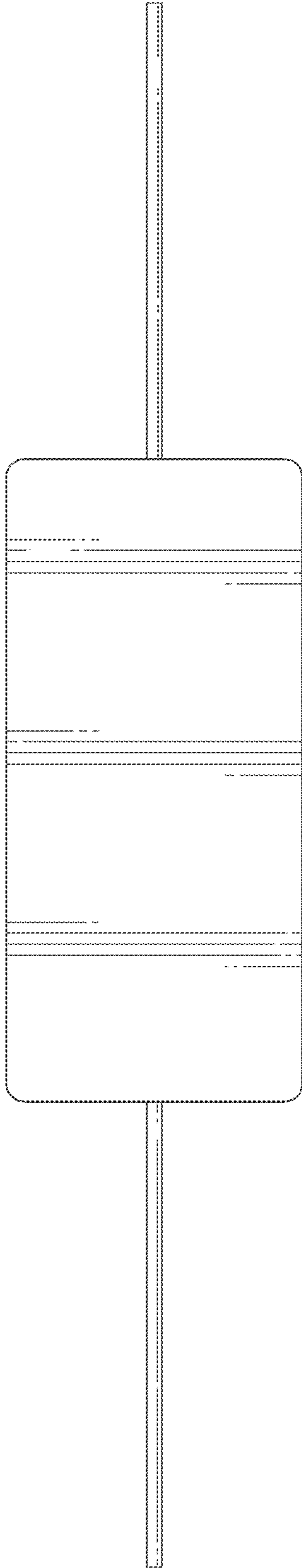


FIG. 3

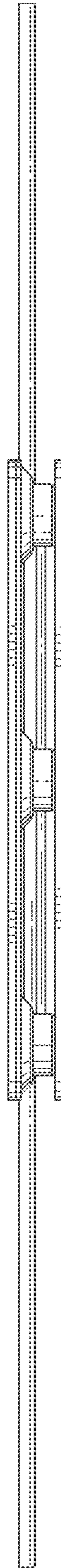


FIG. 4



FIG. 5

