



US00D935524S

(12) **United States Design Patent** (10) **Patent No.:** **US D935,524 S**
Liu (45) **Date of Patent:** **** Nov. 9, 2021**

(54) **DESK FILE RACK**
(71) Applicant: **Shenzhen Fuyun Jewelry Firm,**
Shenzhen (CN)
(72) Inventor: **Zhengwei Liu,** Donghai (CN)
(**) Term: **15 Years**
(21) Appl. No.: **29/763,543**
(22) Filed: **Dec. 23, 2020**
(51) **LOC (13) Cl.** **19-02**
(52) **U.S. Cl.**
USPC **D19/90**
(58) **Field of Classification Search**
USPC D19/75, 77-78, 86-87, 90-92; D3/306,
D3/309, 310, 312; D6/675.2, 675.5
CPC B43M 99/001; B43M 99/008; B43M
99/009; B42F 7/10; B42F 7/12; B42F
7/14; B42F 7/145; B42F 17/08; B42F
17/12; B65D 7/20; B65D 7/26; B65D
7/30
See application file for complete search history.

(56) **References Cited**
U.S. PATENT DOCUMENTS
2,537,565 A * 1/1951 Wolters A47B 47/0091
211/11
2,642,861 A * 6/1953 Tvedt B42F 17/02
211/51
D179,480 S * 1/1957 Jones et al. D6/671.1
4,342,268 A * 8/1982 Grava B65D 85/62
108/55.1
4,593,822 A * 6/1986 Yeane A61L 2/26
211/41.8
D329,954 S * 10/1992 Sharon D6/675.5
D341,376 S * 11/1993 Feer D19/75
5,823,100 A * 10/1998 Wienhold F24C 15/16
99/449
D419,335 S * 1/2000 Kopala, Jr. D6/672
D433,712 S * 11/2000 Walsh D19/75
D689,942 S * 9/2013 Hu D19/78

D691,858 S * 10/2013 Tiemann D7/600.4
D713,877 S * 9/2014 Kuehn et al.
D719,610 S * 12/2014 Tsai D19/90
D756,458 S * 5/2016 Tsai D19/90
D758,488 S * 6/2016 Tsai D19/92
D776,196 S * 1/2017 Tsai D19/90
9,782,996 B1 * 10/2017 Kuo B42F 7/12
D816,378 S * 5/2018 Ernst D6/683.1
D838,979 S * 1/2019 Goodman et al.
D841,091 S * 2/2019 Tuang D19/92
D841,734 S * 2/2019 Tuang D19/90
D843,724 S * 3/2019 Drendel D3/297
D857,094 S * 8/2019 Tsai D19/90

(Continued)

OTHER PUBLICATIONS

Desk Organizer with Sliding Drawer, by Beiz, 158 ratings, Part No. SHS19114, ASIN: B08BKHQFR9, online on Amazon.com, Date First Available: Jun. 21, 2020.*

Primary Examiner — Elizabeth A. Albert

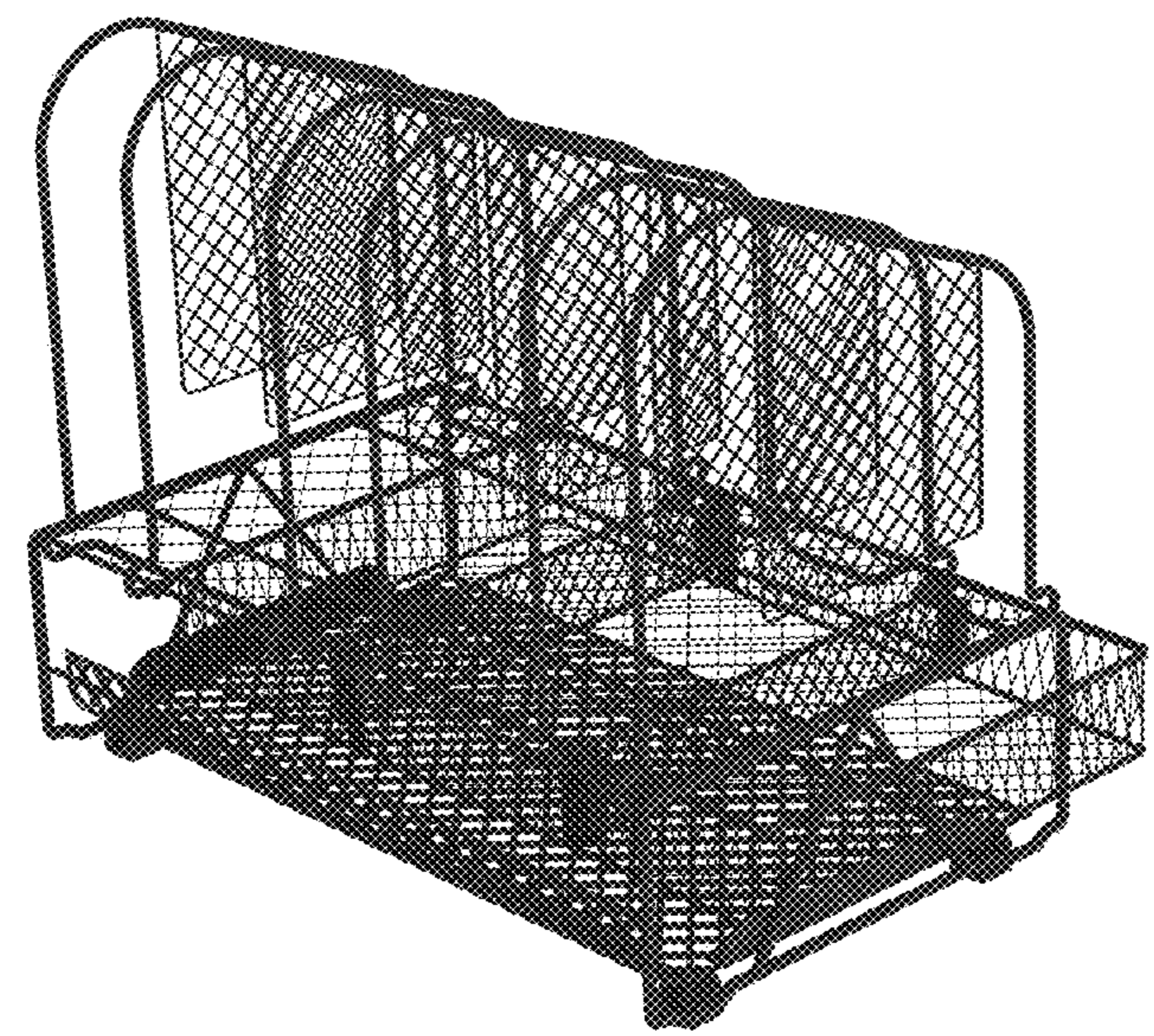
(57) **CLAIM**

The ornamental design for a desk file rack, as shown and described.

DESCRIPTION

FIG. 1 is a first perspective view of a desk file rack showing my new design;
FIG. 2 is a second perspective view thereof;
FIG. 3 is a front view thereof;
FIG. 4 is a back view thereof
FIG. 5 is a left side view thereof
FIG. 6 is a right side view thereof;
FIG. 7 is a top view thereof;
FIG. 8 is a bottom view thereof;
FIG. 9 is an enlarged view of the selected portion in FIG. 2;
and,
FIG. 10 is an enlarged view of the selected portion in FIG. 3.

1 Claim, 10 Drawing Sheets



(56)

References Cited

U.S. PATENT DOCUMENTS

D859,523 S * 9/2019 Goodman D19/90
D875,476 S * 2/2020 Tuang D7/600.4
D884,073 S * 5/2020 Tsai D19/92
D890,842 S 7/2020 Tuang et al.
D904,516 S * 12/2020 Tsai D19/92

* cited by examiner



FIG. 1



FIG. 2

9

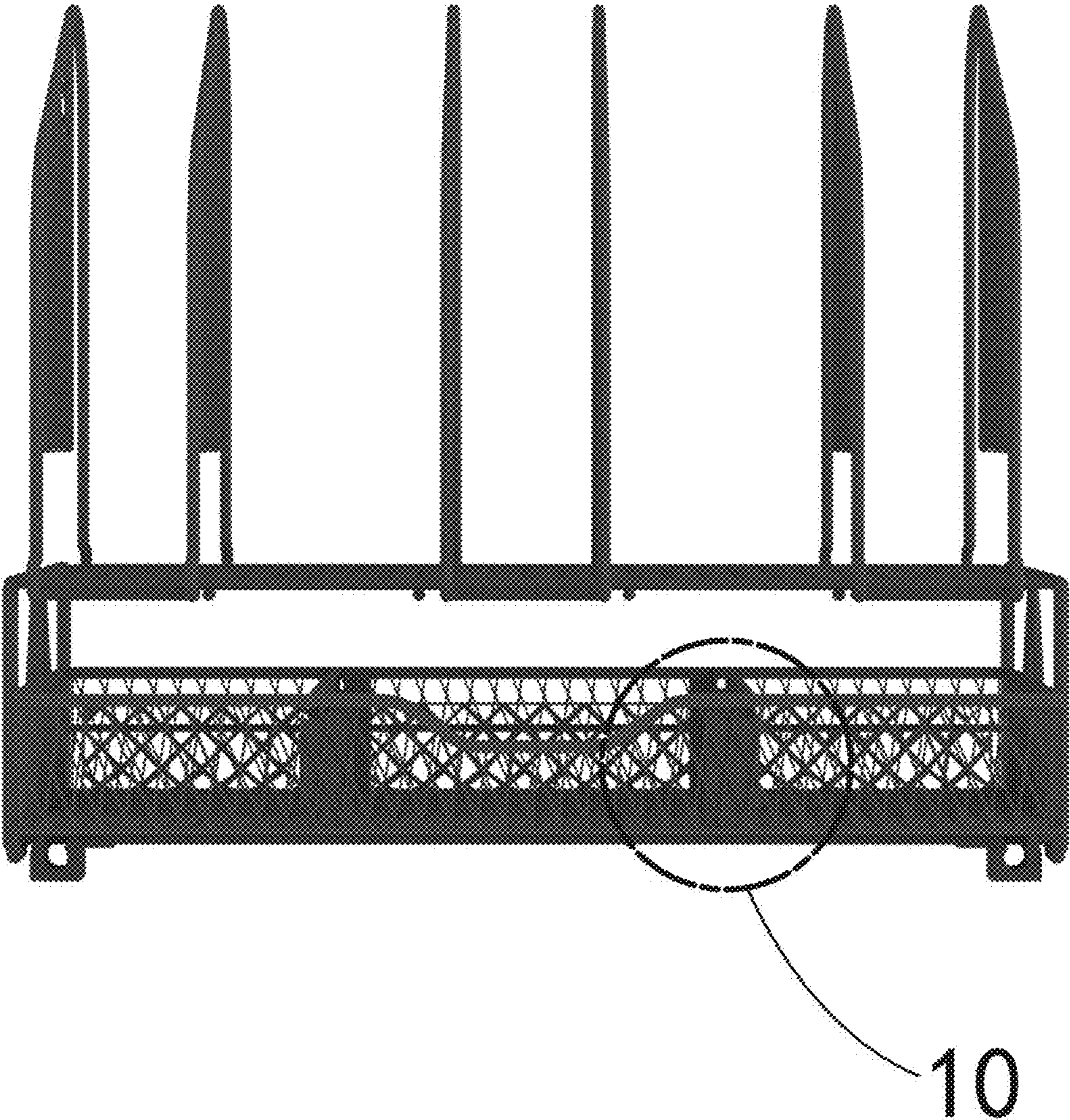


FIG. 3

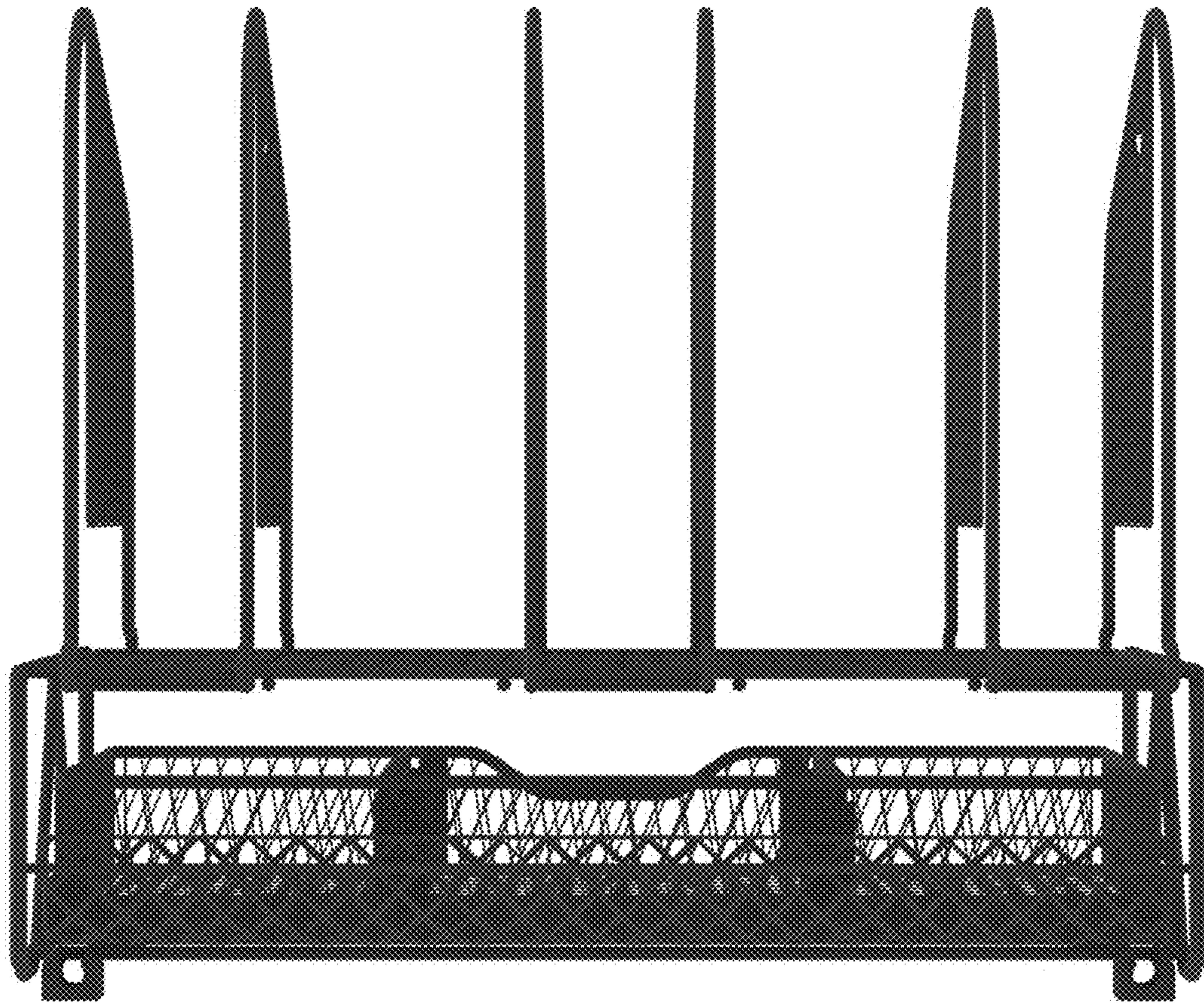


FIG. 4

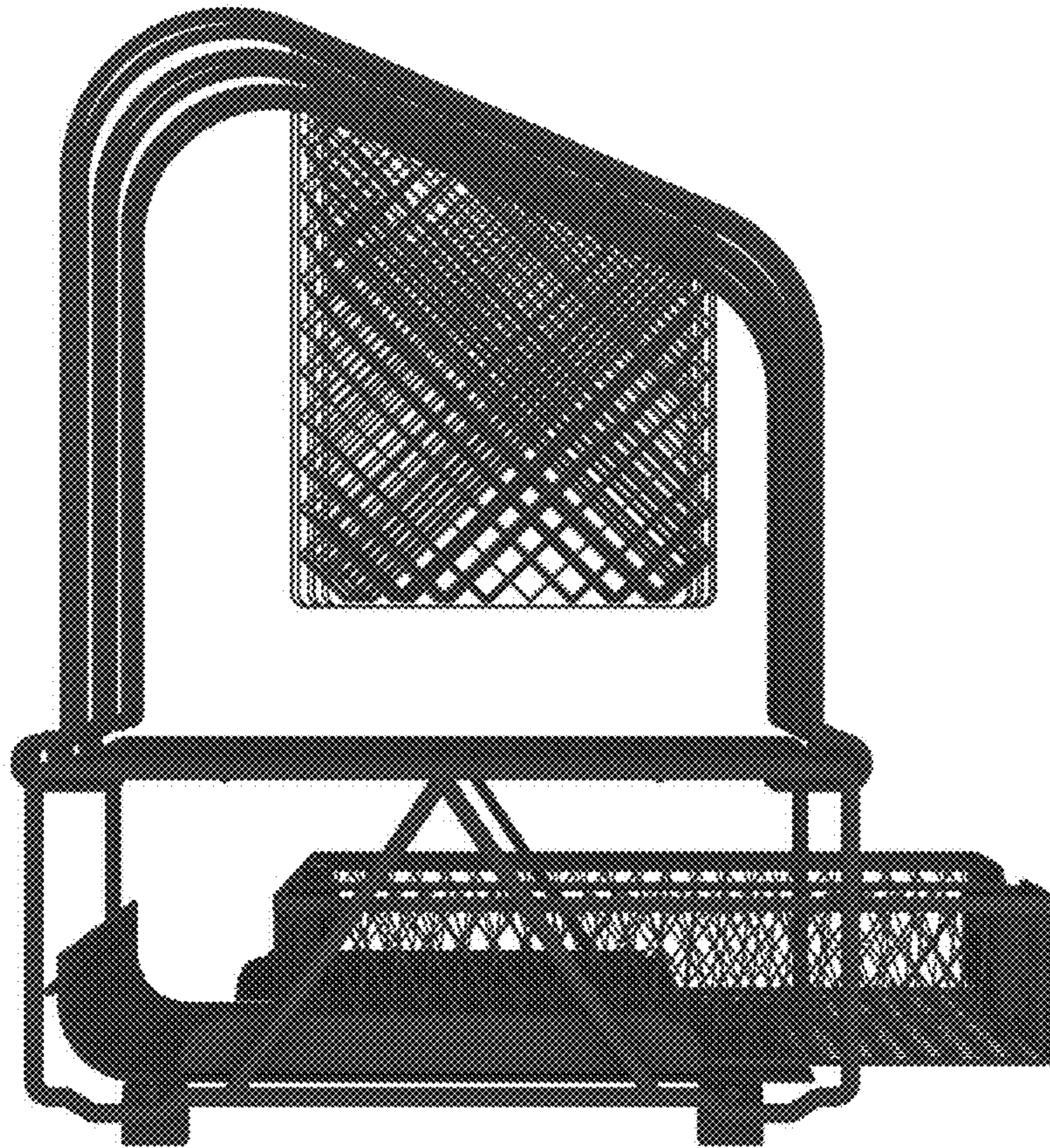


FIG. 5

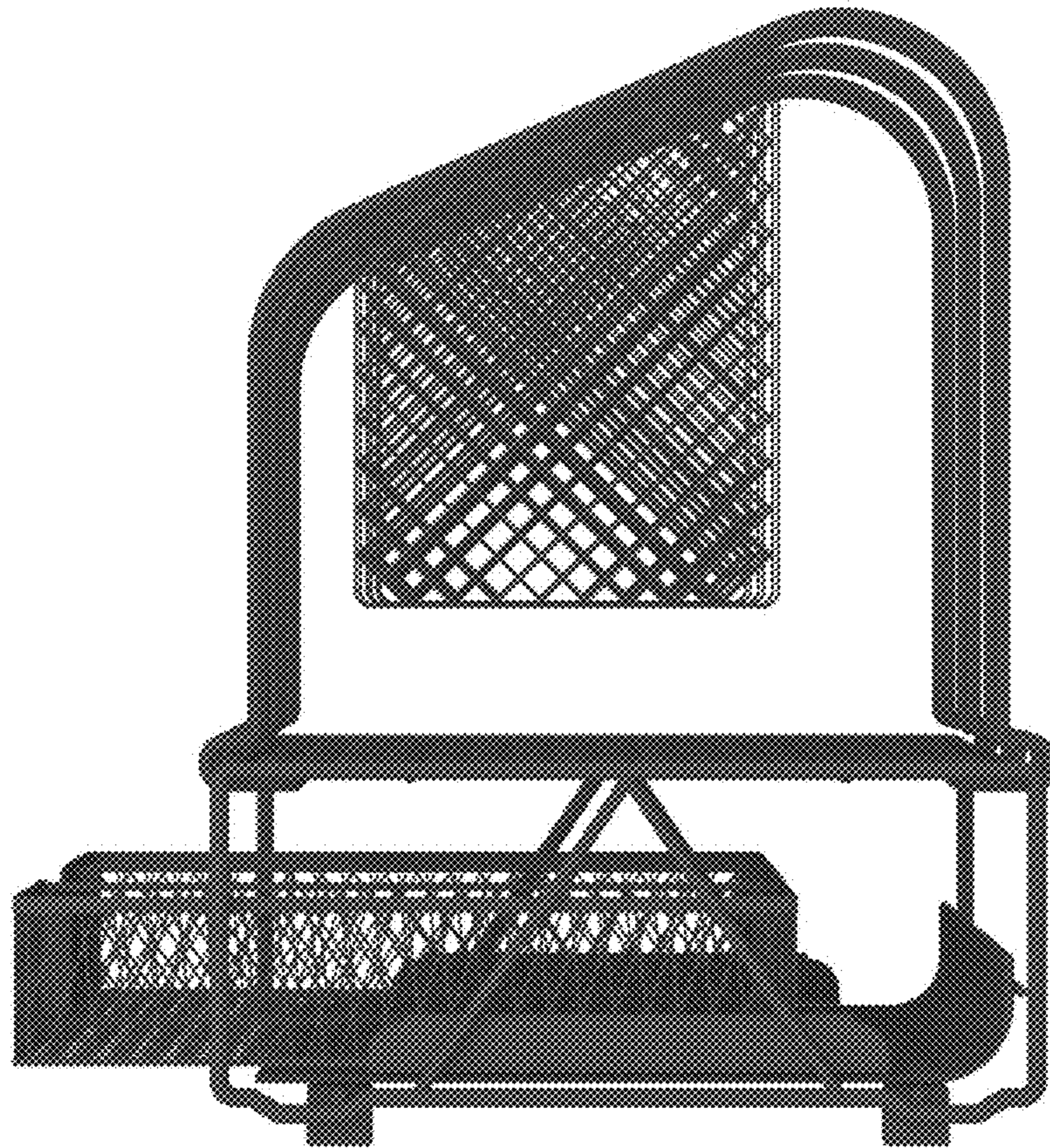


FIG. 6

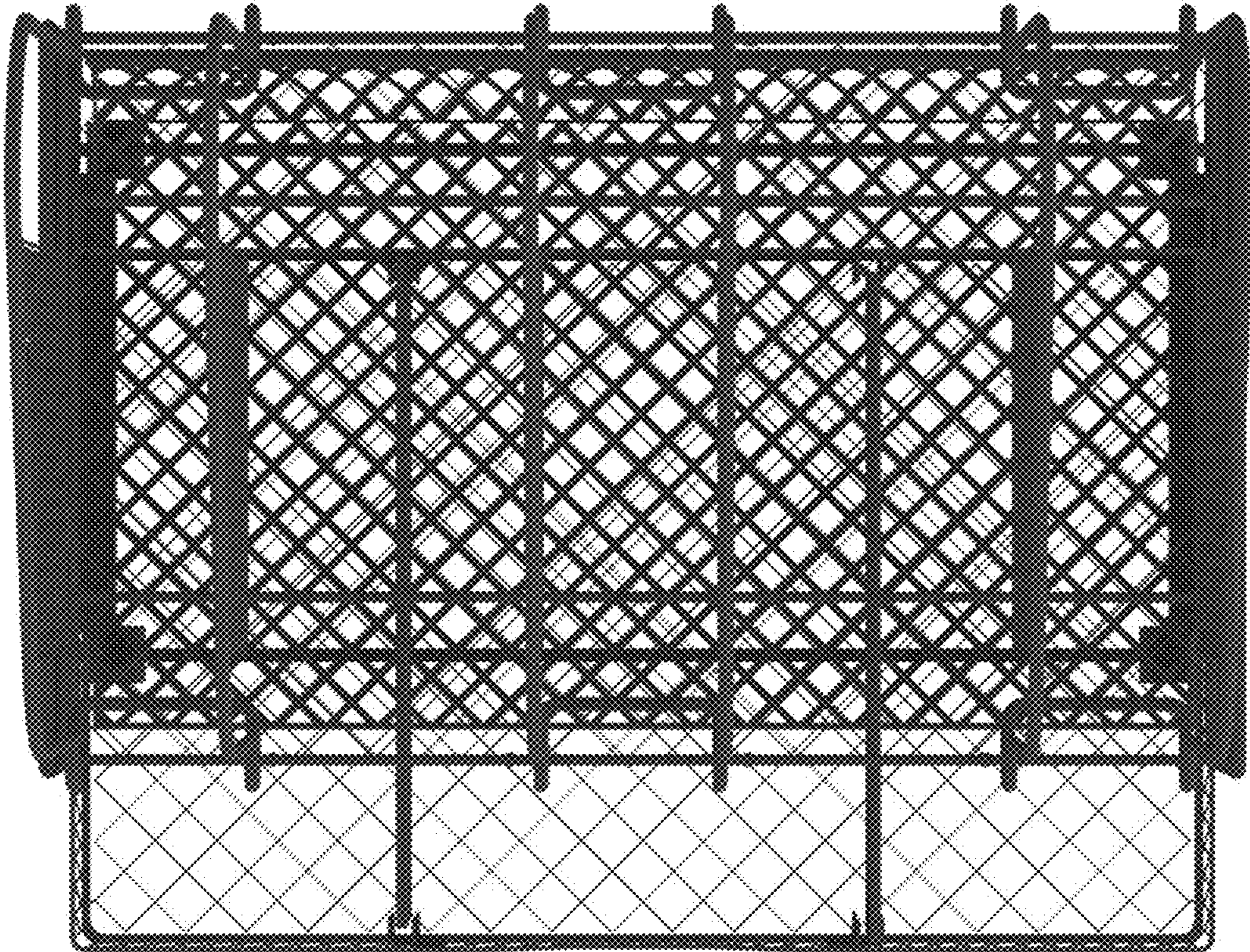


FIG. 7



FIG. 8

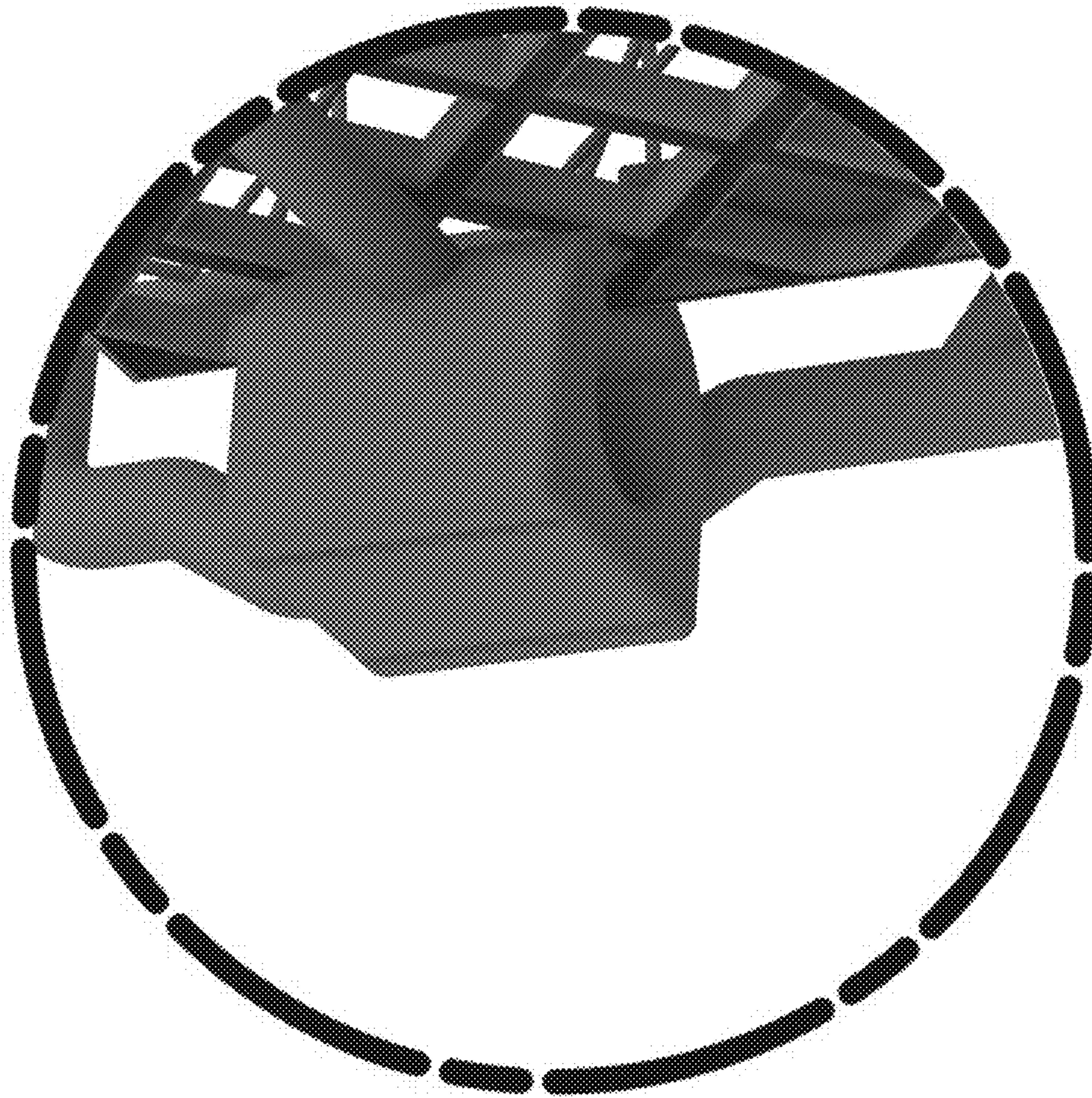


FIG. 9

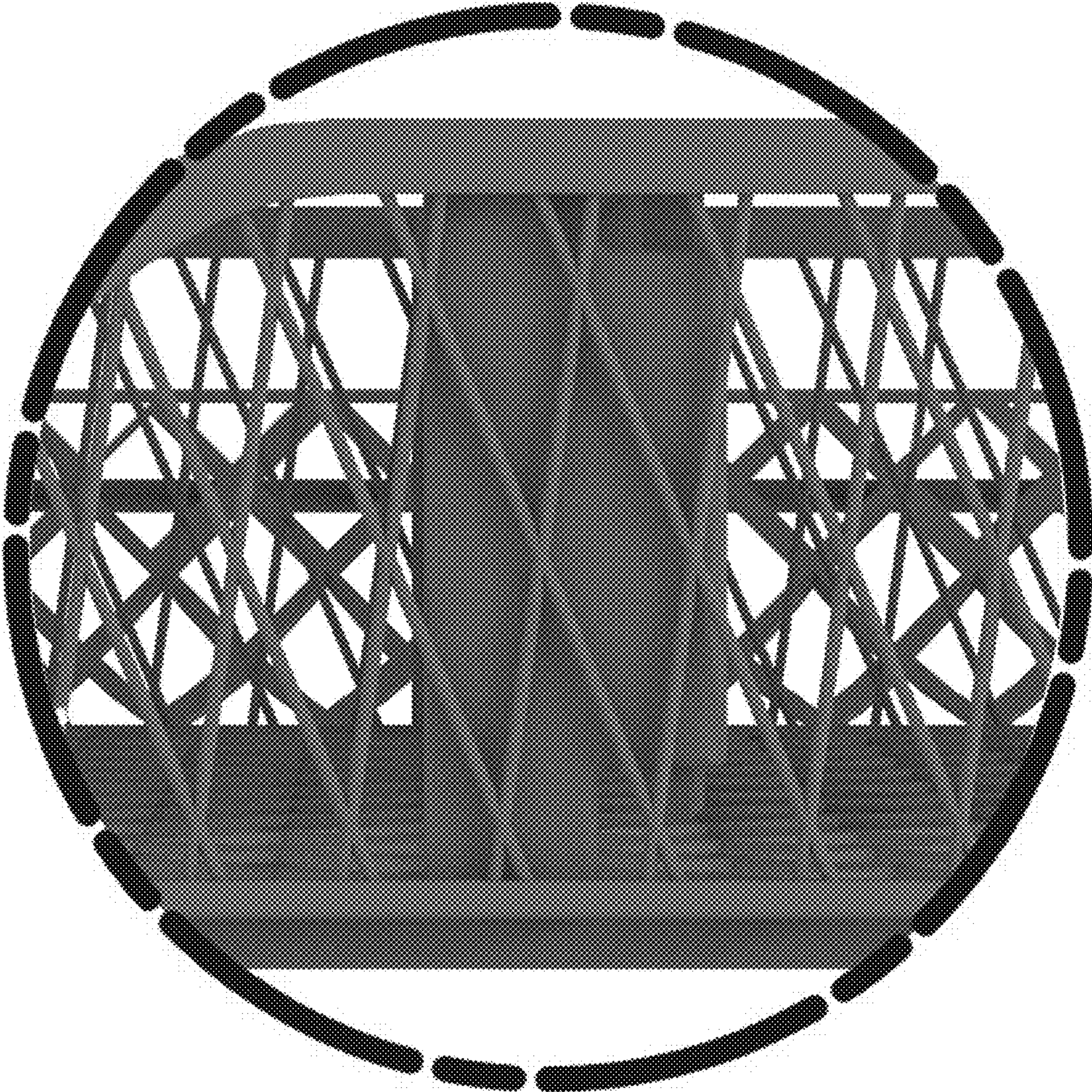


FIG. 10