



US00D935523S

(12) **United States Design Patent** (10) **Patent No.:** **US D935,523 S**  
**Cesar et al.** (45) **Date of Patent:** **\*\* Nov. 9, 2021**

(54) **TEXTILE PRINTER**

Large Format Fabric Plotter For Banner Flag Printing. (Year: 2020).\*

(71) Applicant: **Hewlett-Packard Development Company, L.P.**, Spring, TX (US)

(Continued)

(72) Inventors: **Javier Alfonso Cesar**, Sant Cugat del Valles (ES); **Miguel Uribarri**, Sant Cugat del Valles (ES); **Andreina Saranz**, Sant Cugat del Valles (ES); **Oriol Moliner**, Sant Cugat del Valles (ES)

*Primary Examiner* — Lauren D McVey  
(74) *Attorney, Agent, or Firm* — Hanley Flight & Zimmerman LLC

(73) Assignee: **Hewlett-Packard Development Company, L.P.**, Spring, TX (US)

(57) **CLAIM**

The ornamental design for “textile printer”, as shown and described.

(\*\*) Term: **15 Years**

**DESCRIPTION**

(21) Appl. No.: **29/679,065**

(22) Filed: **Feb. 1, 2019**

(51) **LOC (13) Cl.** ..... **18-02**

(52) **U.S. Cl.**  
USPC ..... **D18/53**

(58) **Field of Classification Search**  
USPC ..... D18/50, 53, 54, 55, 56, 59, 36, 37, 38, D18/39, 40, 41, 45; D14/301, 307, 121  
(Continued)

(56) **References Cited**

**U.S. PATENT DOCUMENTS**

D228,152 S \* 8/1973 Matwey ..... D18/39  
D350,973 S \* 9/1994 Lucker ..... D10/46  
(Continued)

**FOREIGN PATENT DOCUMENTS**

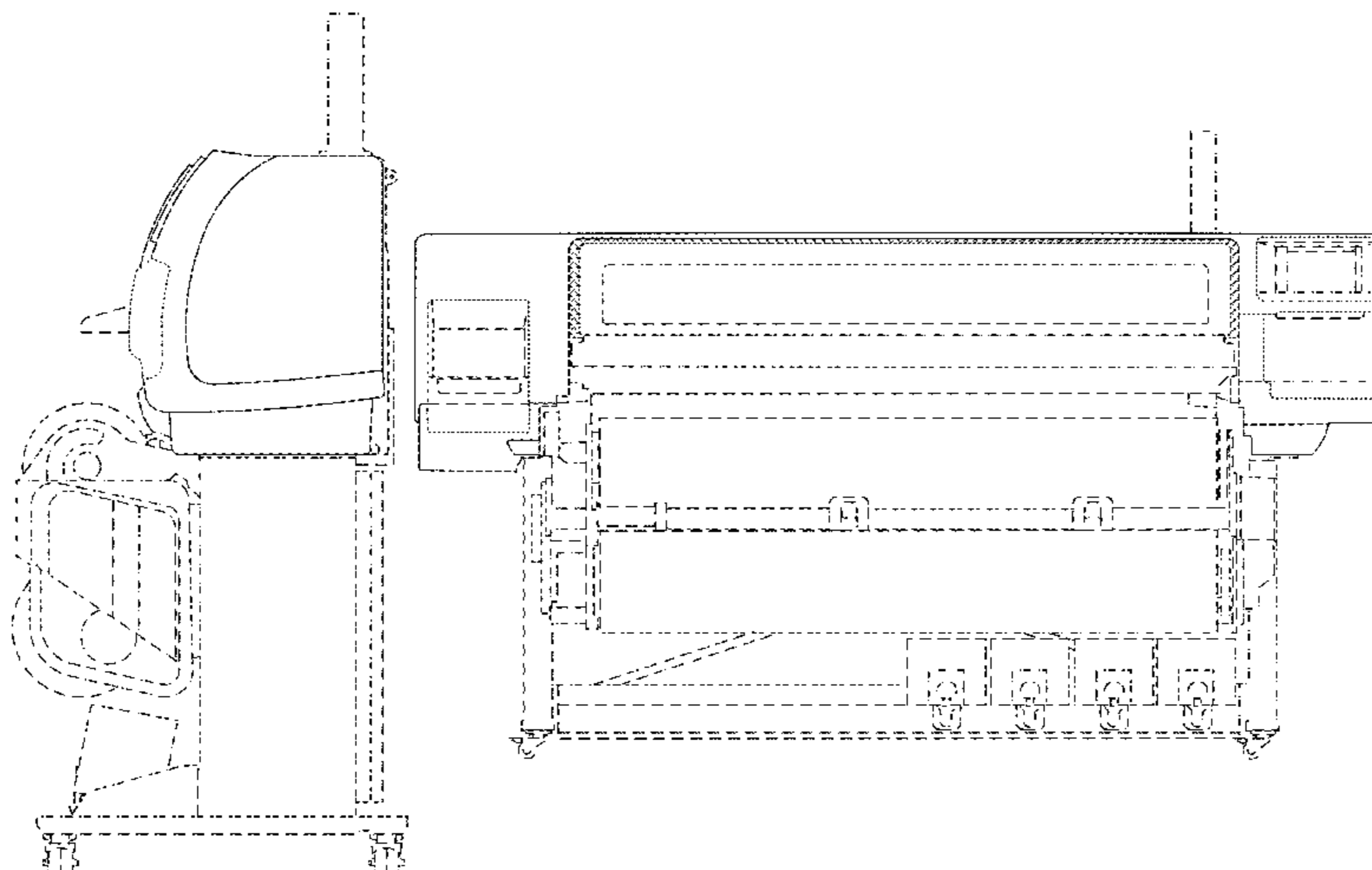
CN 304665466 \* 6/2018  
CN 305196715 \* 6/2019  
(Continued)

**OTHER PUBLICATIONS**

Flagprintingmachine.com. Link: [https://www.flagprintingmachine.com/china-1\\_6m\\_digital\\_large\\_format\\_fabric\\_plotter\\_for\\_banner\\_flag\\_printing-4611911.html](https://www.flagprintingmachine.com/china-1_6m_digital_large_format_fabric_plotter_for_banner_flag_printing-4611911.html). Visited Apr. 9, 2020. 1.6M Digital

FIG. 1 is a left, front perspective view of a first embodiment of a textile printer showing our new design;  
FIG. 2 is a front elevation view of the textile printer of FIG. 1;  
FIG. 3 is an enlarged right side elevation view of the textile printer of FIG. 1;  
FIG. 4 is an enlarged left side elevation view of the textile printer of FIG. 1;  
FIG. 5 is a front elevation view of the textile printer of FIG. 1 with cross-hatching that denotes a color contrast, the rear and bottom views of the textile printer of FIG. 1 form no part of the claimed design;  
FIG. 6 is a left, front perspective view of a second embodiment of a textile printer showing our new design;  
FIG. 7 is a front elevation view of the textile printer of FIG. 7;  
FIG. 8 is an enlarged right side elevation view of the textile printer of FIG. 7;  
FIG. 9 is an enlarged left side elevation view of the textile printer of FIG. 7; and,  
FIG. 10 is a front elevation view of the textile printer of FIG. 7 with cross-hatching that denotes a color contrast.  
The rear and bottom views of the textile printer of FIG. 7 form no part of the claimed design.  
The dashed broken lines show portions of the textile printers and surfaces adjacent the dashed broken lines that form no part of the claimed design.

(Continued)



The dotted broken lines that are immediately adjacent to the claimed areas and define broken line regions depict the bounds of the claimed design.

The broken lines form no part of the claimed design.

**1 Claim, 10 Drawing Sheets**

D595,345 S *	6/2009	Yagi .....	D18/53
D595,346 S *	6/2009	Yamano .....	D18/53
D723,100 S *	2/2015	Minagawa .....	D18/53
D764,575 S *	8/2016	Cesar .....	D18/53
D799,591 S *	10/2017	Kusanagi .....	D18/53
D810,819 S *	2/2018	Cesar .....	D18/53
D812,136 S *	3/2018	Cesar .....	D18/53

FOREIGN PATENT DOCUMENTS

(58) **Field of Classification Search**

CPC ..... H04N 1/00278; H04N 1/00204; H04N 1/00249; G06K 15/12; G06K 15/14; B41J 3/00; B41J 3/28; B41J 3/445; B41J 3/46  
See application file for complete search history.

CN	305459903	*	11/2019
CN	305459905	*	11/2019
CN	305596902	*	2/2020
JP	D1344529	*	11/2008
JP	2018202714 A	*	12/2018

(56)

**References Cited**

U.S. PATENT DOCUMENTS

D407,740 S *	4/1999	Ina .....	D18/53
D408,848 S *	4/1999	Flores .....	D18/53
D458,963 S *	6/2002	Caamano .....	D18/53
D544,533 S *	6/2007	Moliner .....	D18/53

OTHER PUBLICATIONS

YouTube. Link: <https://www.youtube.com/watch?v=fcEBYULFd5M>.  
May 21, 2019. The World's Fastest Color Match—HP Stitch S  
Printer Series. (Year: 2019).\*

\* cited by examiner

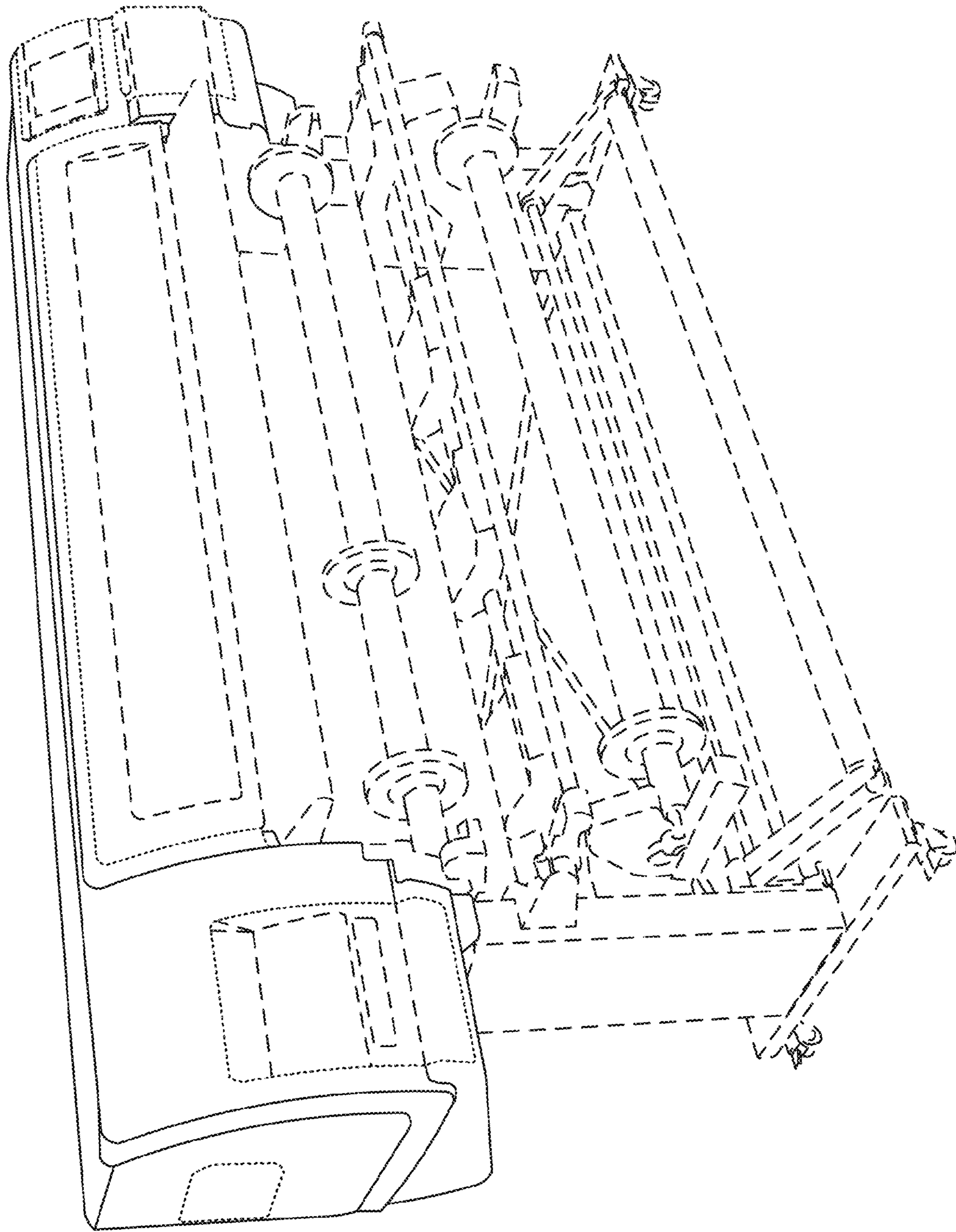


FIG. 1

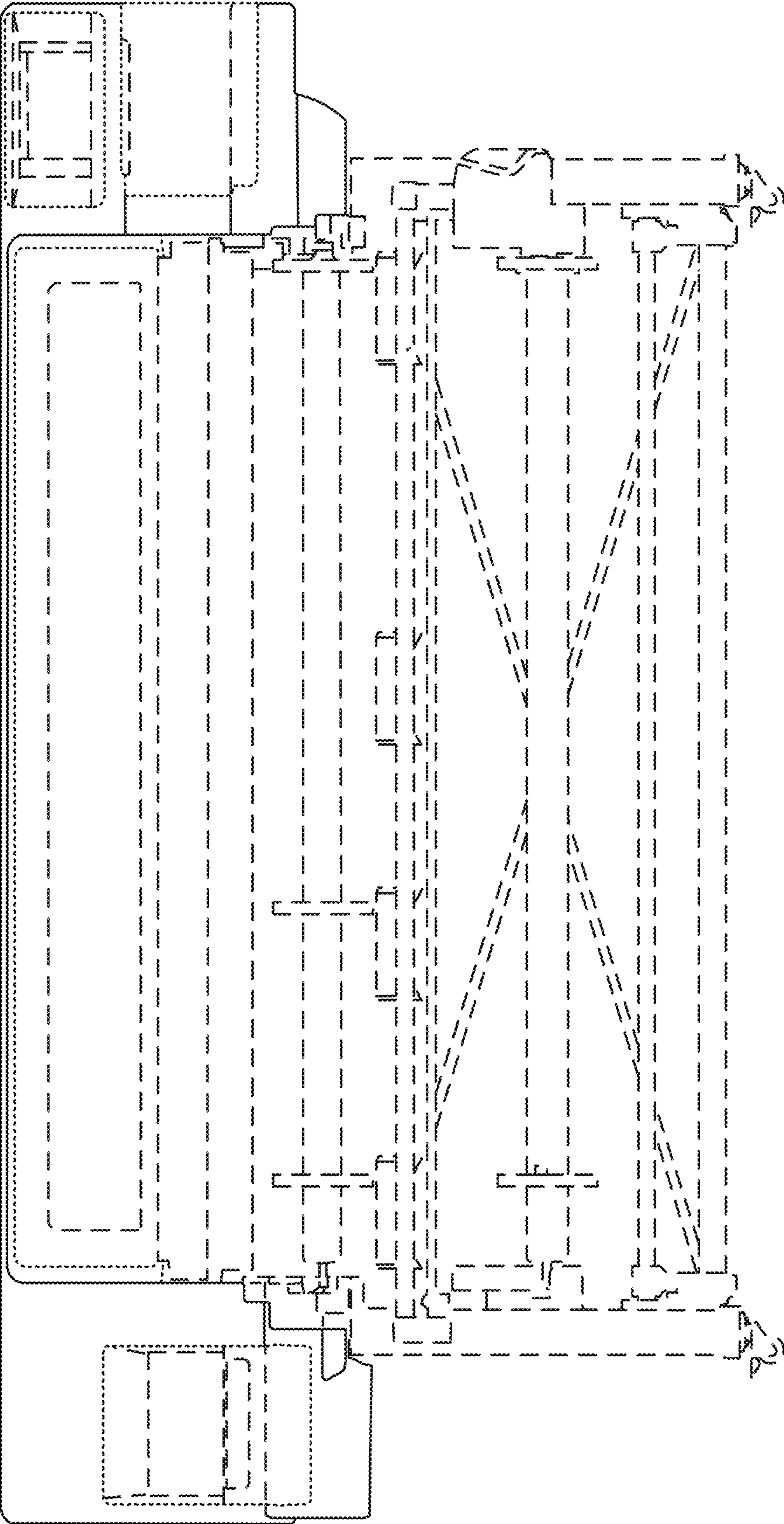


FIG. 2

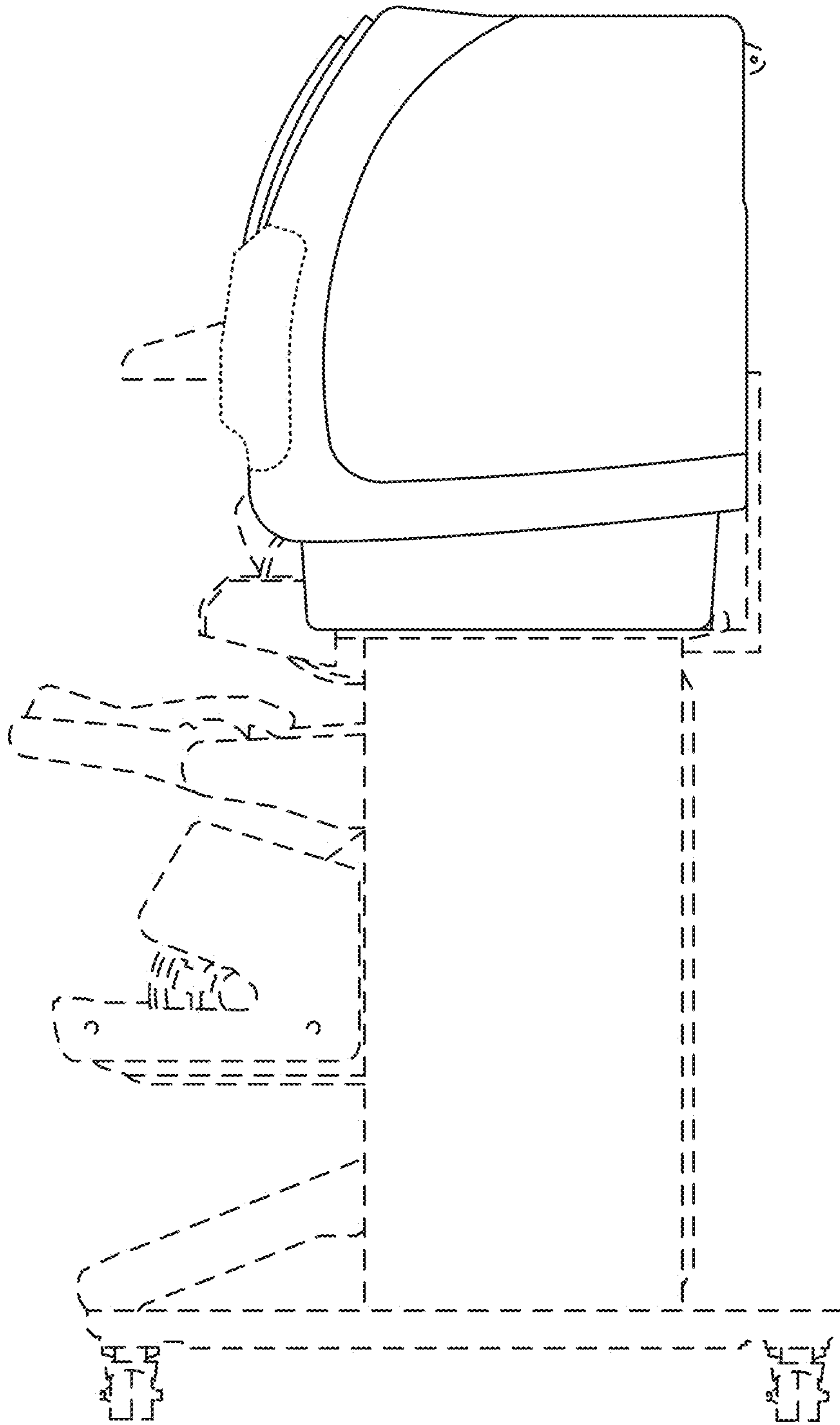


FIG. 3

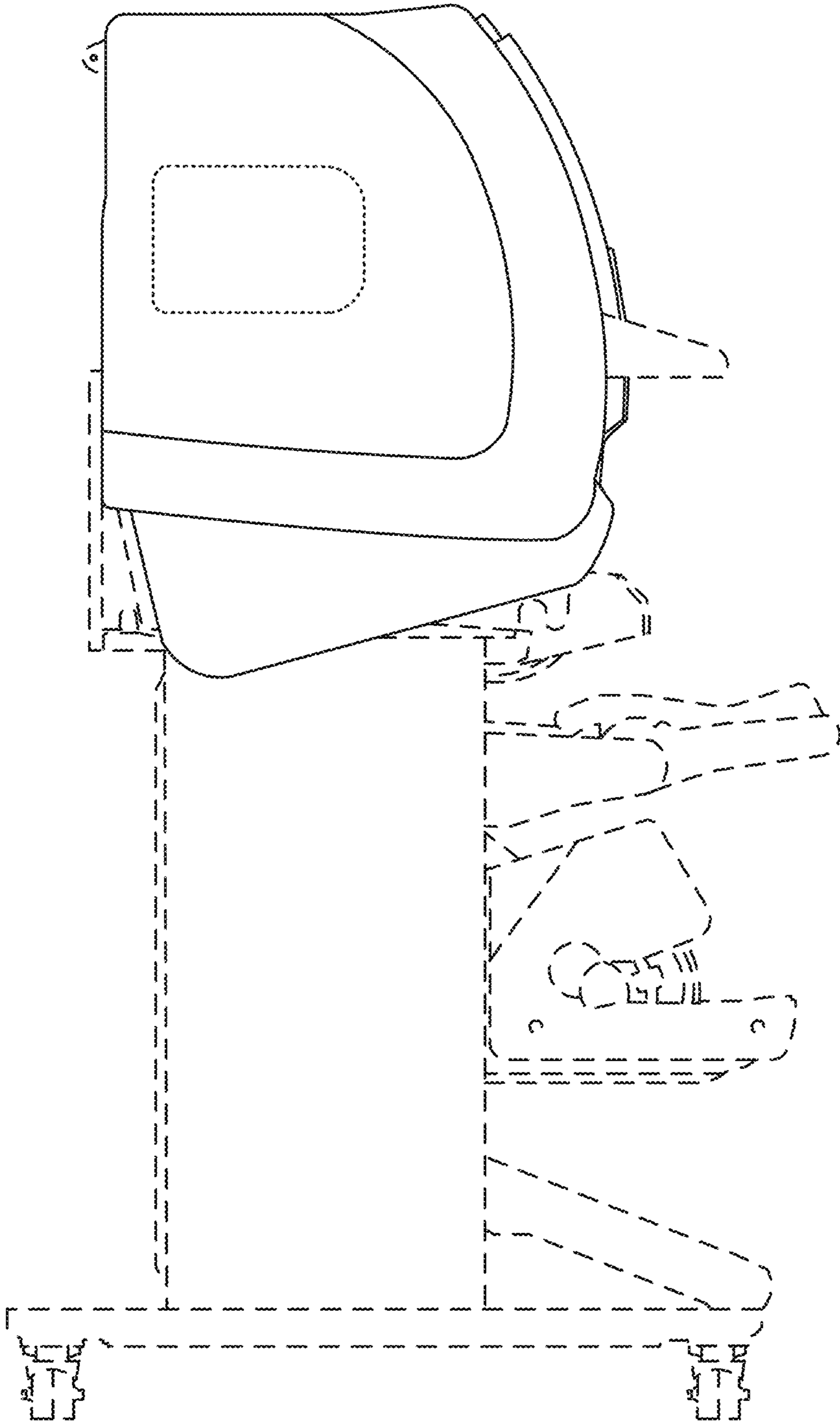


FIG. 4

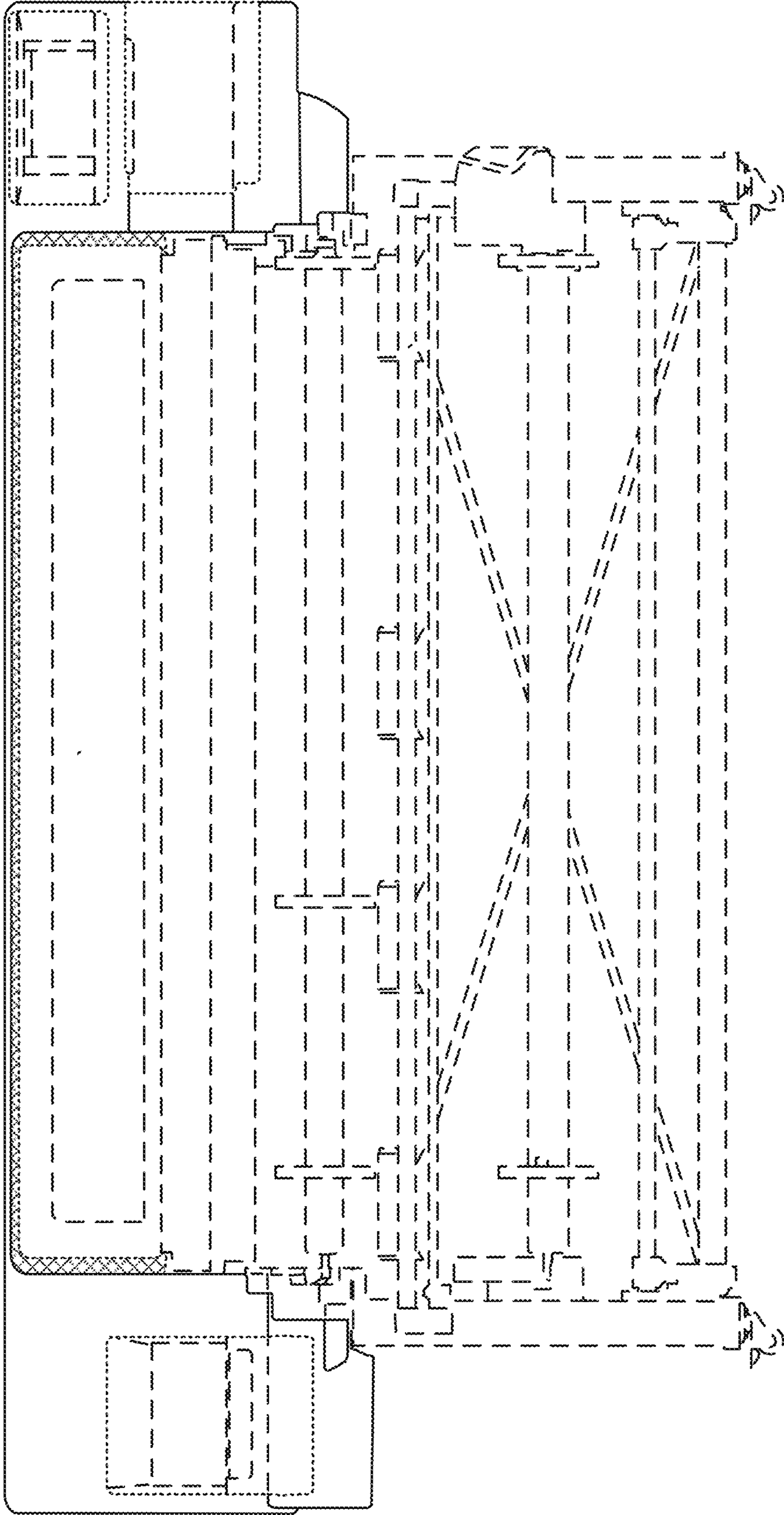


FIG. 5

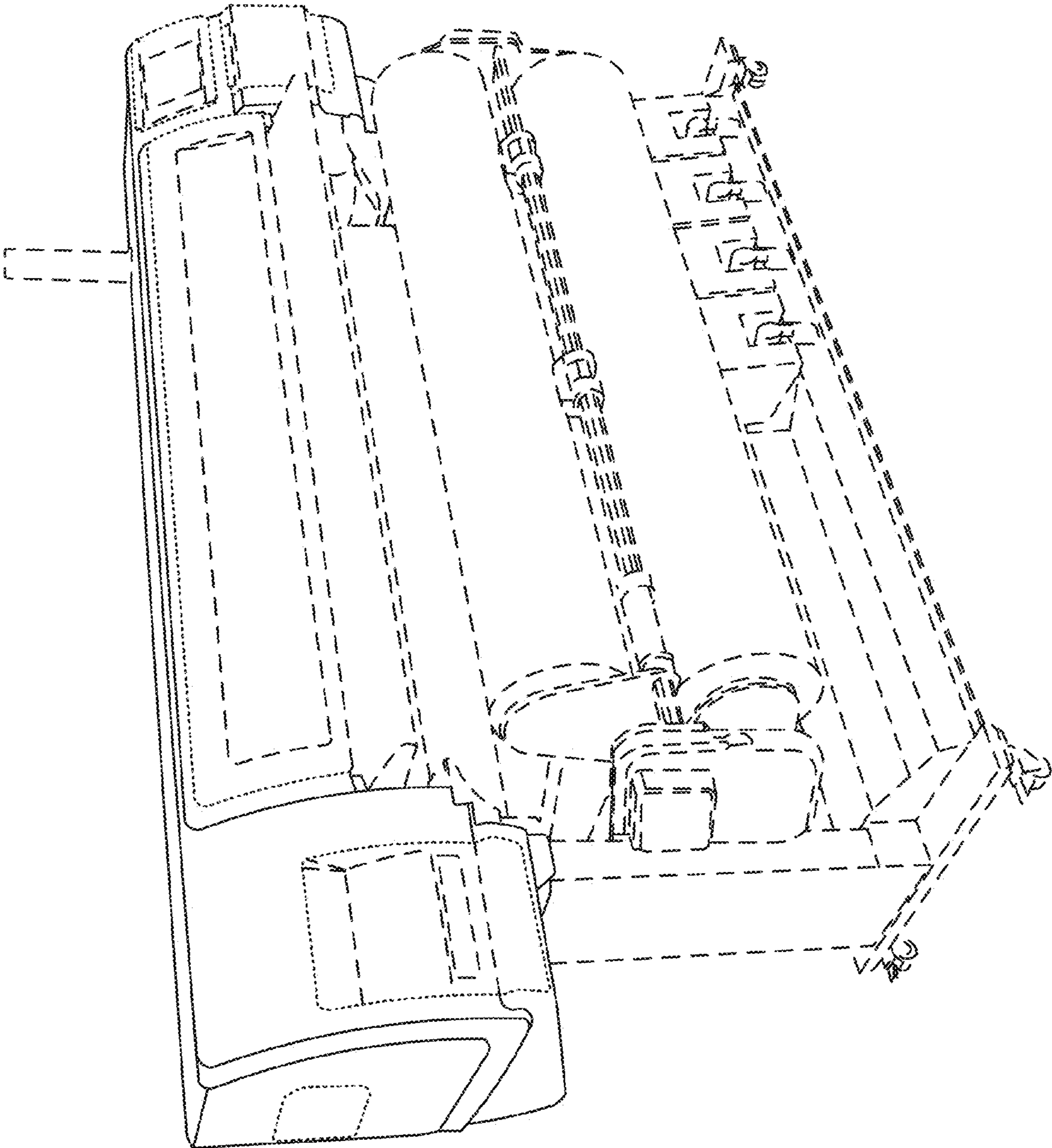


FIG. 6



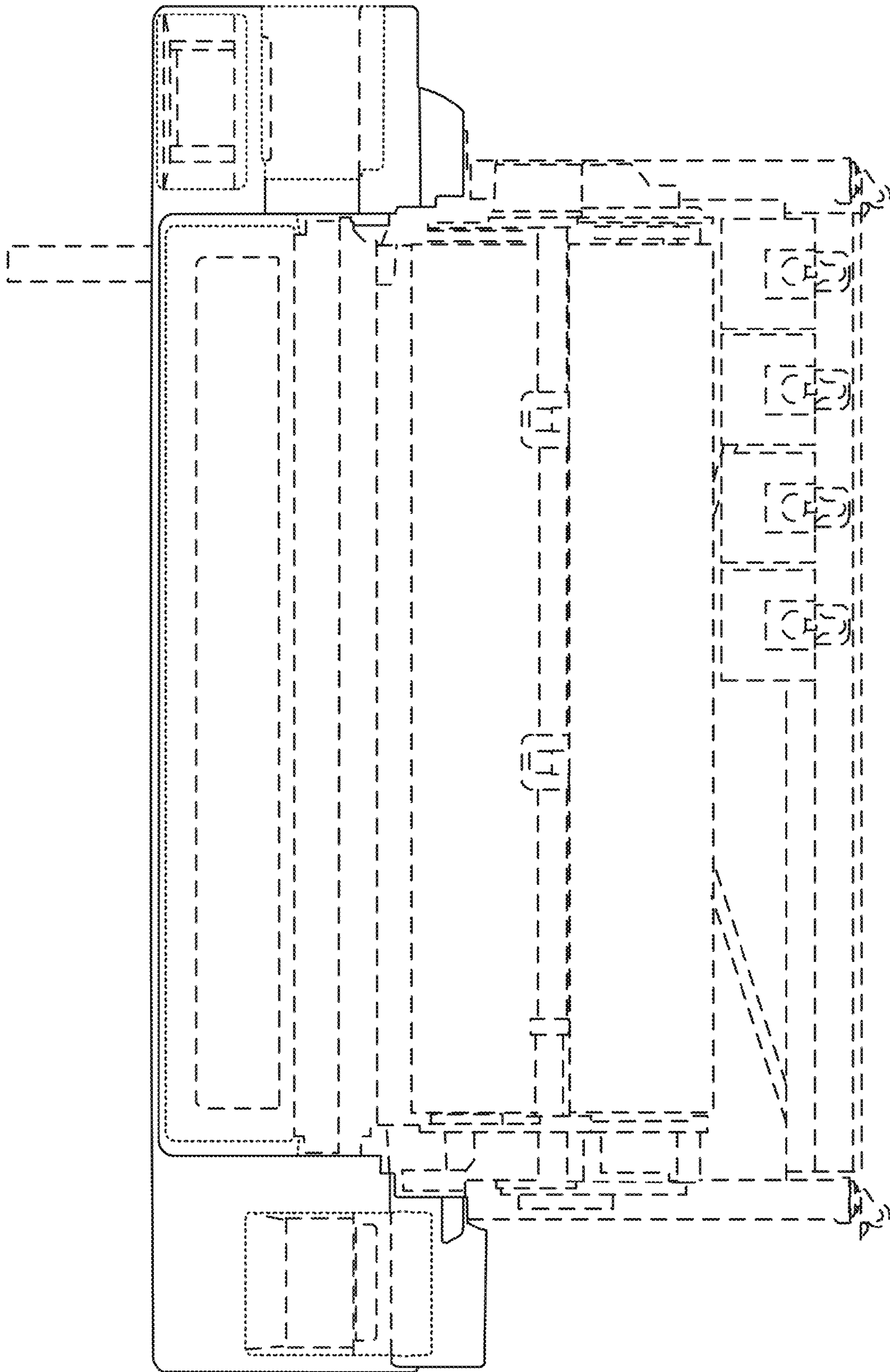


FIG. 7

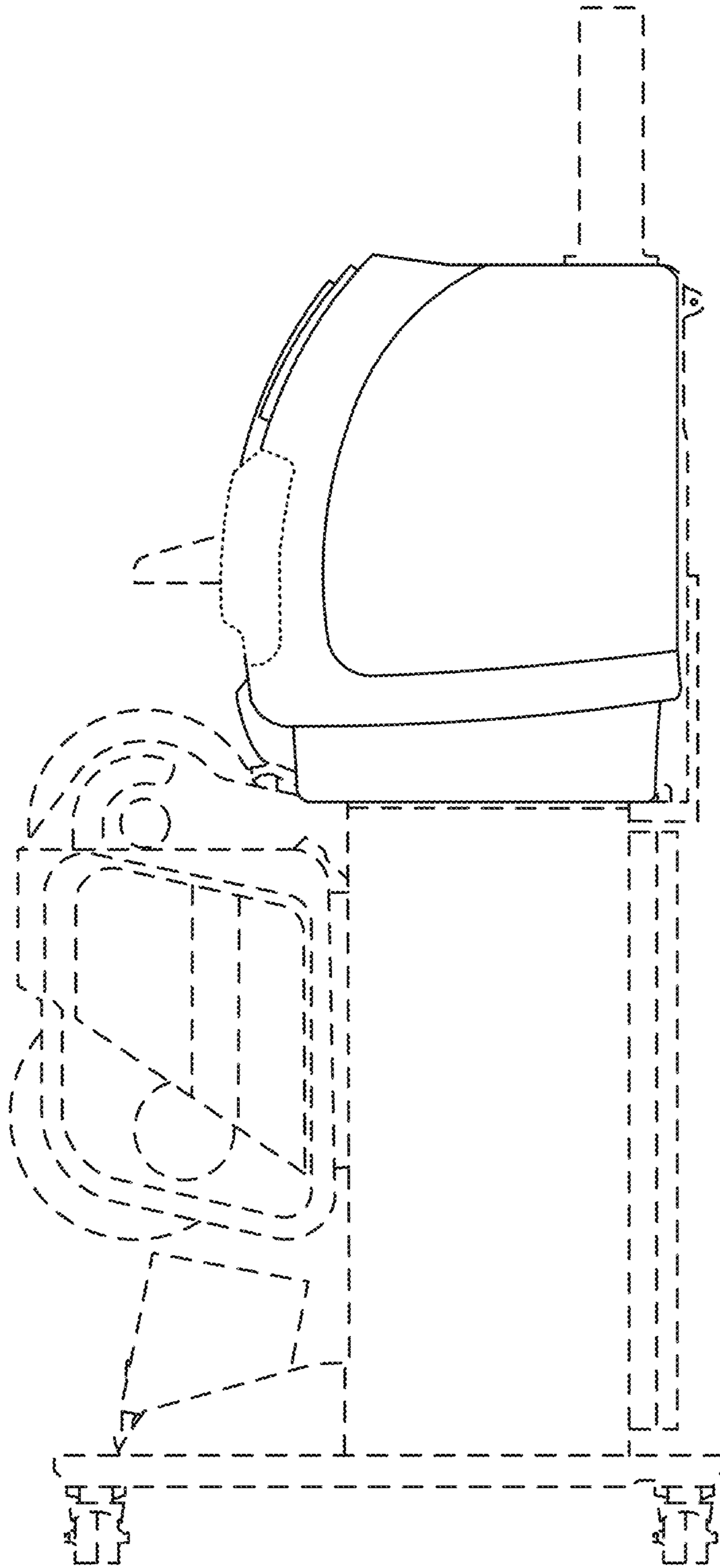


FIG. 8

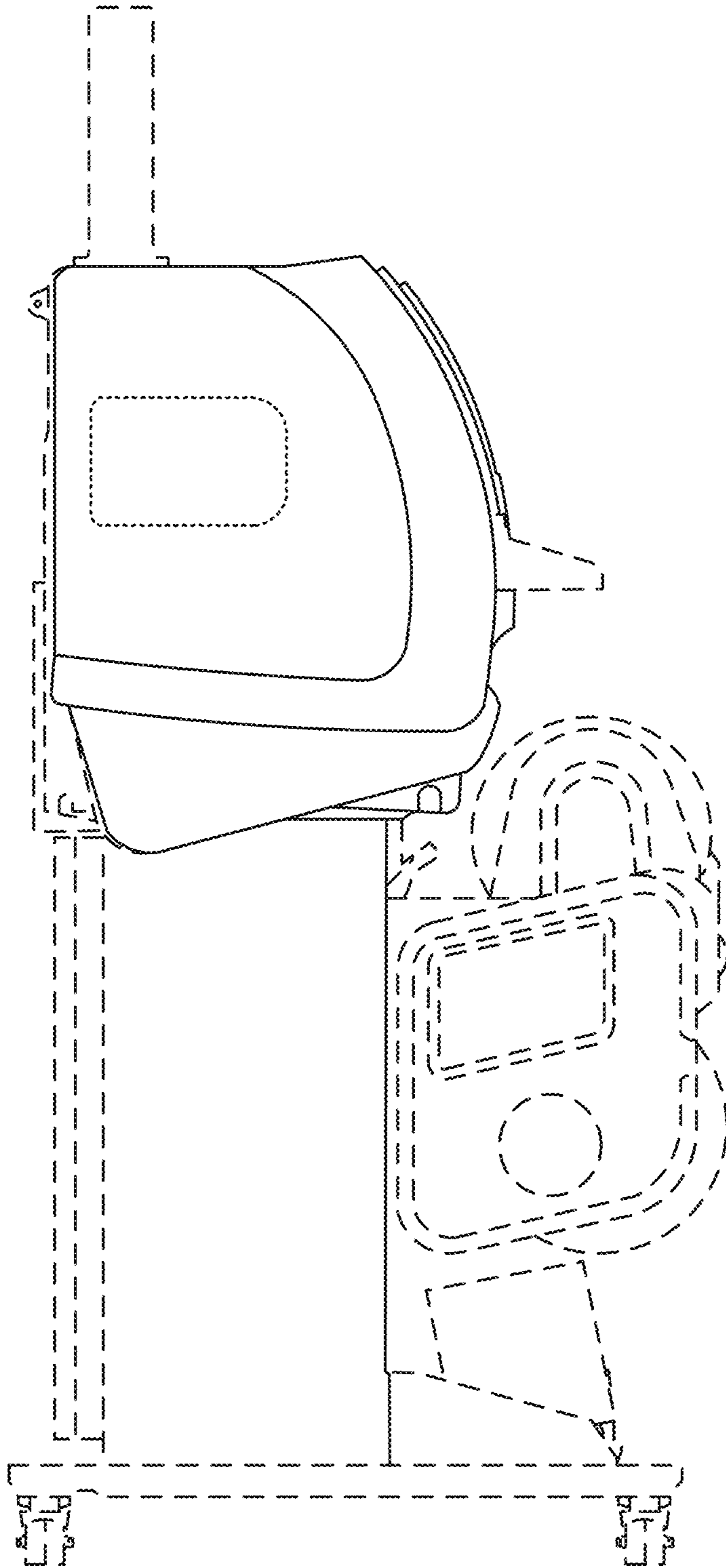


FIG. 9

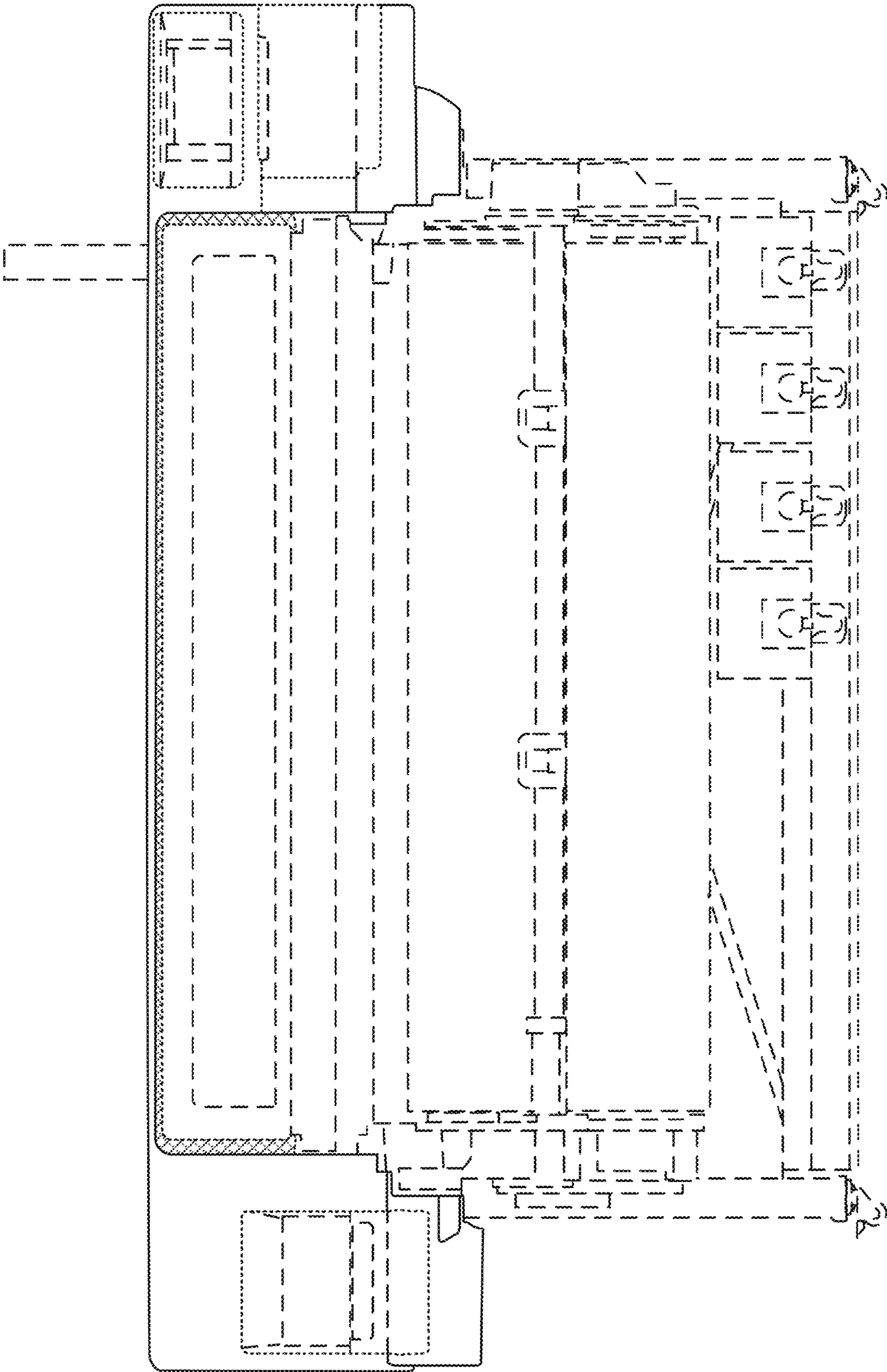


FIG. 10