

US00D935522S

(12) **United States Design Patent** (10) **Patent No.:** **US D935,522 S**
Lucas et al. (45) **Date of Patent:** **** Nov. 9, 2021**

(54) **MEDIA PROCESSING DEVICE**

FOREIGN PATENT DOCUMENTS

(71) Applicant: **ZEBRA TECHNOLOGIES CORPORATION**, Lincolnshire, IL (US)

BX 27166 * 10/1996
JP D1440741 * 5/2012
(Continued)

(72) Inventors: **James Lucas**, Coventry, RI (US);
Anthony Ross Helberg, Attleboro, MA (US)

OTHER PUBLICATIONS

(73) Assignee: **Zebra Technologies Corporation**, Lincolnshire, IL (US)

AliExpress. Link: <https://www.aliexpress.com/item/32997157691.html>. Visited Jan. 31, 2020. NETUM 1809DD Portable 58mm Bluetooth Thermal Receipt Printer Support Android /IOS and 5890K USB Thermal Printer for POS System. (Year: 2019).*

(**) Term: **15 Years**

(Continued)

(21) Appl. No.: **29/693,076**

Primary Examiner — Lauren D McVey

(22) Filed: **May 30, 2019**

(51) **LOC (13) Cl.** **18-99**

(57) **CLAIM**

(52) **U.S. Cl.**

We claim the ornamental design for a media processing device, as shown and described.

USPC **D18/19**

(58) **Field of Classification Search**

USPC D18/14, 15, 16, 17, 18, 19, 50, 53, 54, D18/55, 36, 37, 38, 39, 40, 41, 45; D19/65, 66, 67, 68, 69, 70, 71; D14/301, D14/307, 121

CPC H04N 1/00204; H04N 1/00249; H04N 1/00278; G06K 15/12; G06K 15/14; B41J 3/00; B41J 3/28; B41J 3/445; B41J 3/46; B41J 11/0045; B41J 2/3358; B41J 3/36; B41J 3/382

See application file for complete search history.

DESCRIPTION

FIG. 1 is a first top perspective view of a media processing device;
FIG. 2 is a second top perspective view thereof;
FIG. 3 is a first bottom perspective view thereof;
FIG. 4 a top plan view thereof;
FIG. 5 is a bottom plan view thereof;
FIG. 6 is a first side view thereof;
FIG. 7 is a second side view thereof;
FIG. 8 is a rear view thereof;
FIG. 9 is a front view thereof; and,
FIG. 10 is a second bottom perspective view thereof.
Broken lines are for purposes of illustrating environment and form no part of the claimed design.
The wire frame lines shown throughout the views indicate surface contour.

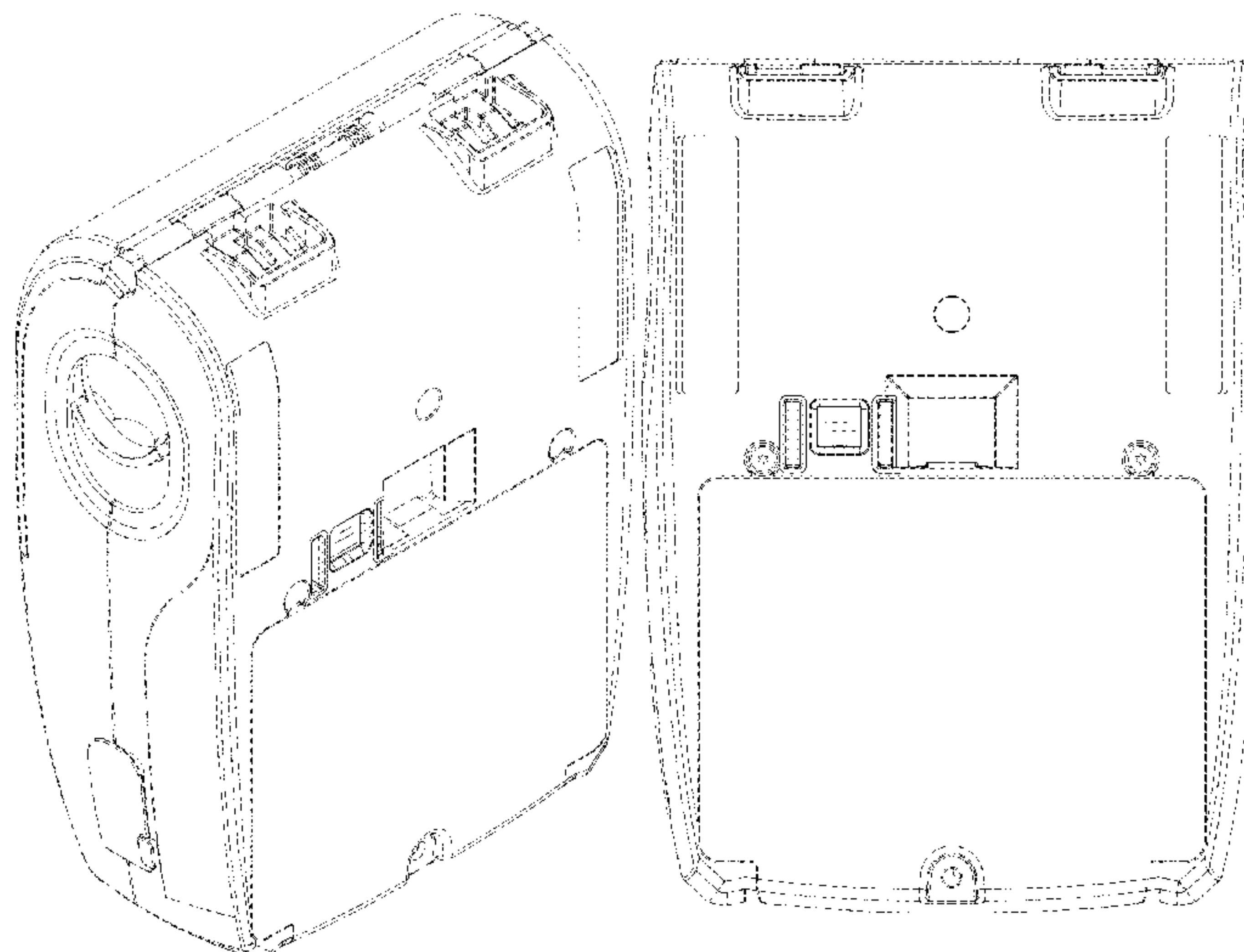
(56) **References Cited**

U.S. PATENT DOCUMENTS

D176,329 S * 12/1955 Haseloff D18/14
3,757,688 A 9/1973 Weber
D336,444 S 6/1993 Anderson
D386,515 S 11/1997 Sommerville
5,829,334 A * 11/1998 Evans B26F 1/02
83/618

D421,604 S 3/2000 Yoon
(Continued)

1 Claim, 9 Drawing Sheets



(56)

References Cited

U.S. PATENT DOCUMENTS

6,126,348 A * 10/2000 White B41J 3/36
 400/685
 D445,832 S * 7/2001 Chan D19/65
 D447,766 S 9/2001 Obara
 D452,698 S 1/2002 Shinano
 D453,399 S 2/2002 Racine
 D498,334 S 11/2004 Durocher
 D522,571 S 6/2006 Senda
 D522,989 S 6/2006 Vitasari
 D523,072 S * 6/2006 Lee D18/14
 D525,308 S * 7/2006 Lara D19/92
 D527,043 S 8/2006 Borne
 D532,038 S 11/2006 Hutchinson
 D532,039 S 11/2006 Beck
 D536,370 S 2/2007 Smolenski
 D541,778 S 5/2007 Kim
 D545,892 S 7/2007 Wang
 D549,768 S 8/2007 Panebianco
 7,306,386 B2 12/2007 Lyman
 D559,303 S 1/2008 Hongo
 D574,423 S 8/2008 Lee
 D590,805 S 4/2009 Sandberg
 D607,430 S 1/2010 Song
 D628,620 S 12/2010 Beck
 D631,451 S 1/2011 Kim
 D654,949 S 2/2012 Preliasco
 D660,905 S 5/2012 Lee
 D663,767 S 7/2012 Inada
 D677,720 S * 3/2013 Tanaka D18/55
 D685,415 S 7/2013 Kinoshita et al.
 D694,317 S 11/2013 Nakagawa
 D694,319 S 11/2013 Nakagawa
 D698,385 S 1/2014 Iwai
 D705,851 S 5/2014 Tanaka
 D713,871 S 9/2014 Preliasco
 D750,703 S 3/2016 Beck
 D751,636 S 3/2016 Kinoshita et al.
 D757,848 S * 5/2016 Takahashi D18/50

D764,573 S 8/2016 Sugawara
 D765,773 S 9/2016 Ozawa
 D773,739 S 12/2016 Yoo
 D798,379 S 9/2017 Beck et al.
 D812,682 S 3/2018 Azegami
 D829,812 S 10/2018 Tsiopanos et al.
 D844,699 S 4/2019 Tsiopanos
 D861,065 S * 9/2019 Chih D18/19
 2006/0272725 A1 * 12/2006 Sherman B41J 3/36
 138/99
 2007/0172289 A1 * 7/2007 Robinson B41J 15/042
 400/613
 2009/0220292 A1 9/2009 Kato
 2012/0050448 A1 * 3/2012 Sakaino B41J 3/36
 347/222
 2016/0236493 A1 * 8/2016 Lyman B41J 29/023

FOREIGN PATENT DOCUMENTS

JP D1541697 * 1/2016
 WO 2011130319 A1 10/2011

OTHER PUBLICATIONS

Amazon. Link: https://www.amazon.com/dp/B01NAAIISO/ref=cm_sw_r_tw_dp_U_x_NVdnEb5TWTKSQ. Dec. 20, 2016 ZEBRA Healthcare—Label Printer. (Year: 2016).*
 <URL: <http://media-cache-ak0.pinimg.com/736x/99/9c/ba/999cba2c59a4ad57ce028002192e559b.webp>> May 10, 2017, Helmet.
 ZQ300 Mobile and Receipt Printer Series: Specification Sheet, published Apr. 9, 2018.
 CDW. Link: https://www.cdw.com/product/ZebraQLn420-labelprinter-monochrome-directthermal/3461277?RecommendedForEDC=3960127&RecoType=RP&cm_sp=Product-_-Session&ProgramIdentifier=3. Visited Apr. 5, 2019 Zebra QLn—label printer—monochrome—direct thermal. (Year: 2019).

* cited by examiner

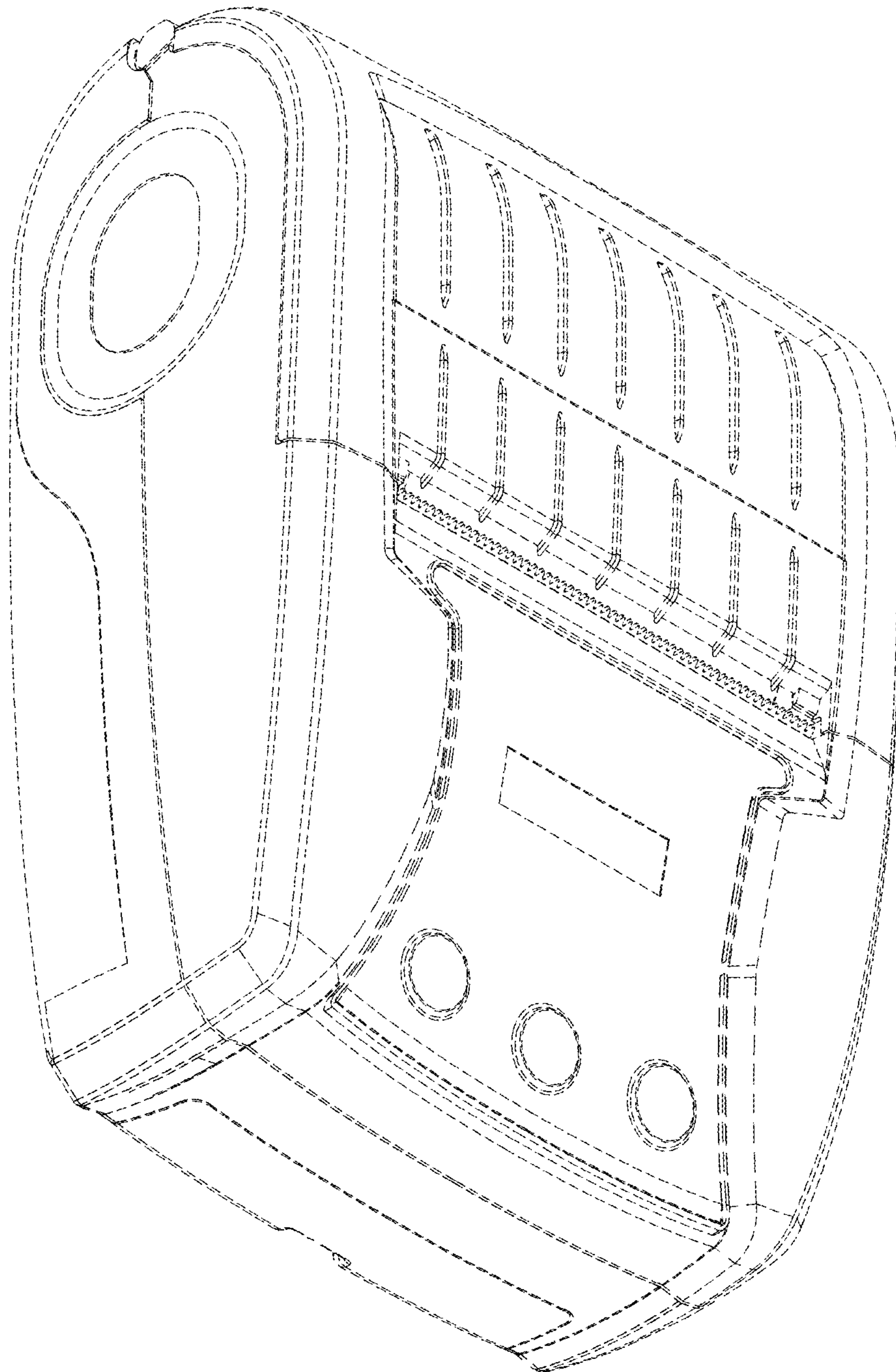


FIG. 1

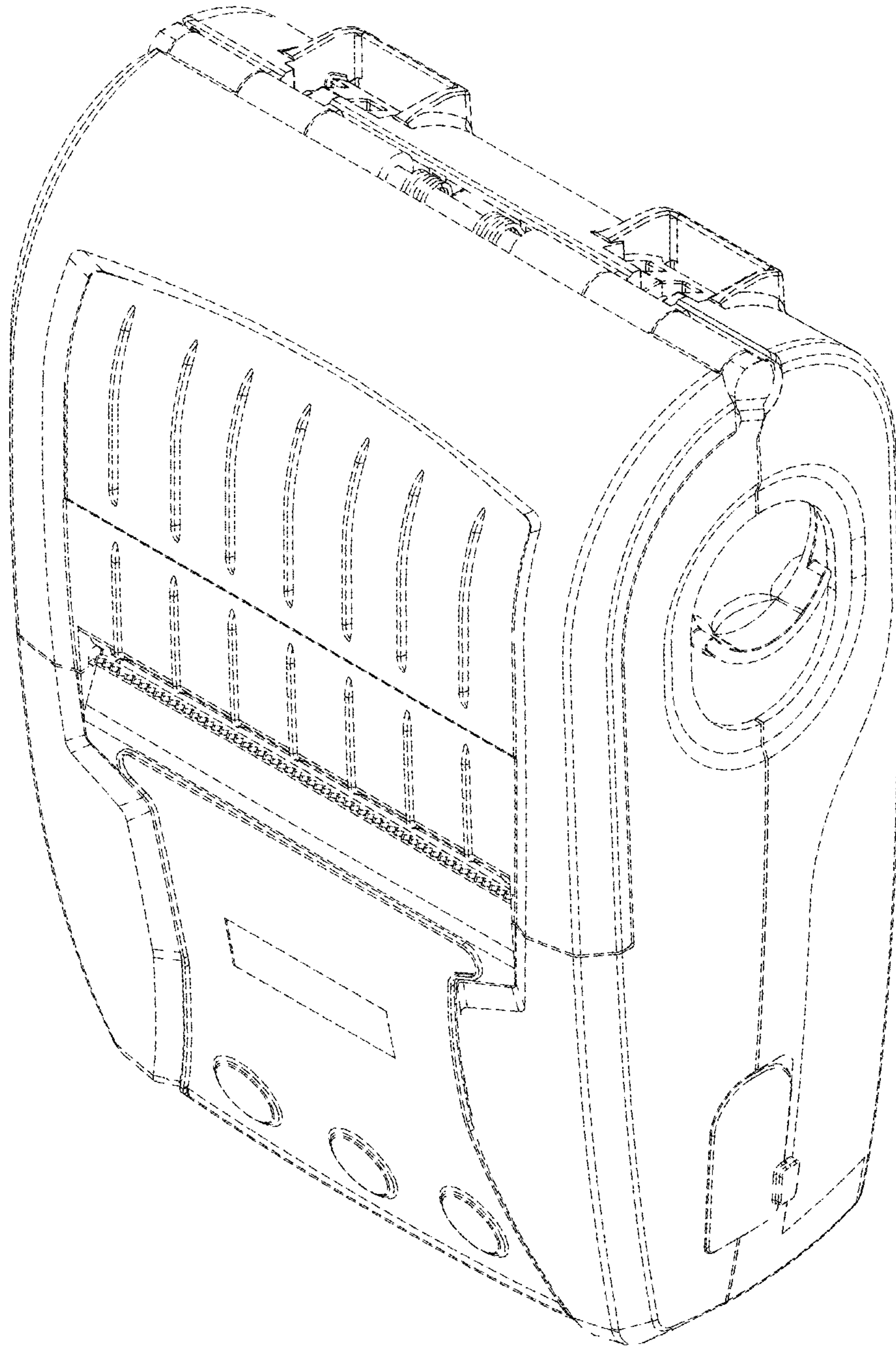


FIG. 2

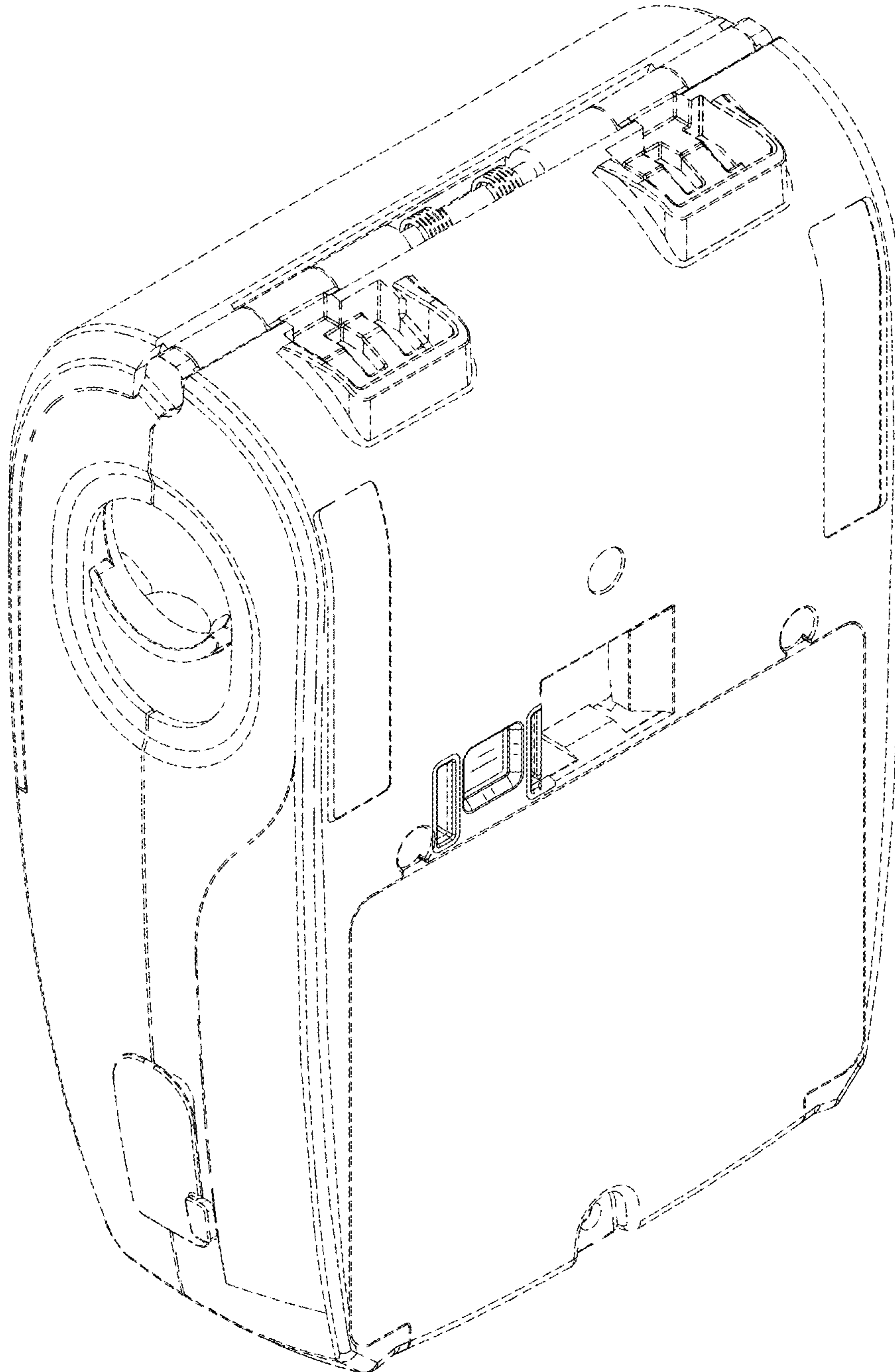


FIG. 3

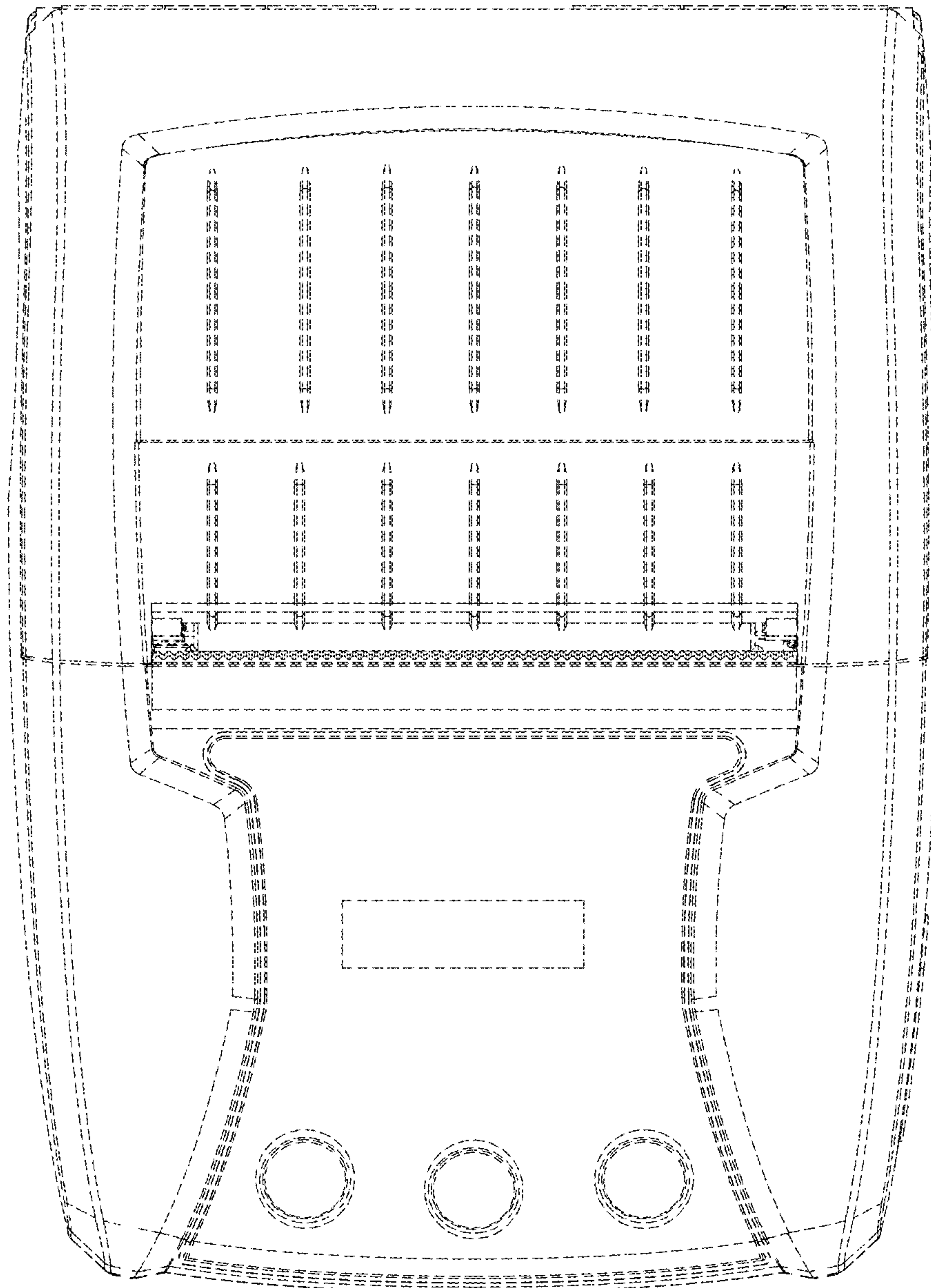


FIG. 4

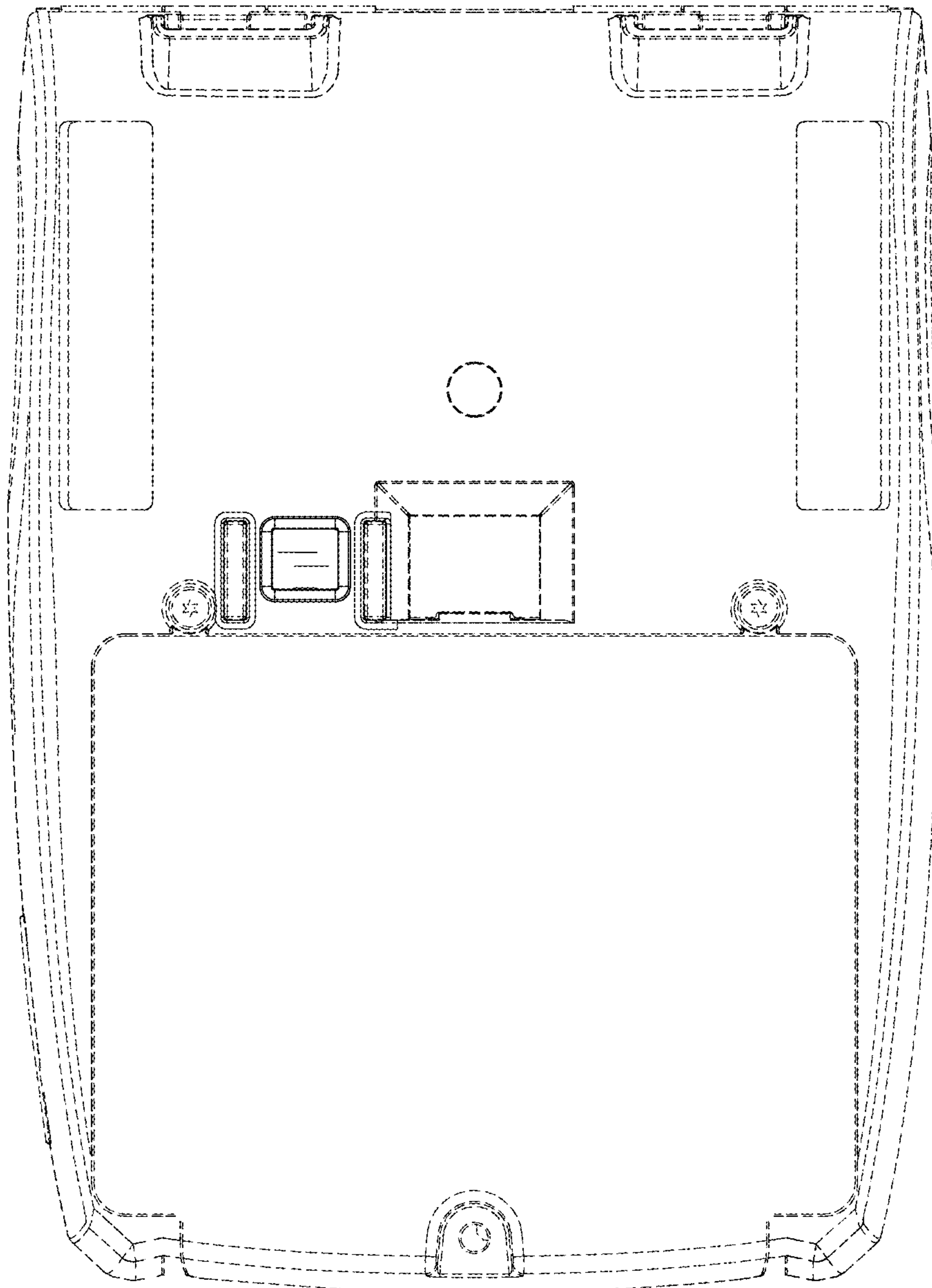


FIG. 5

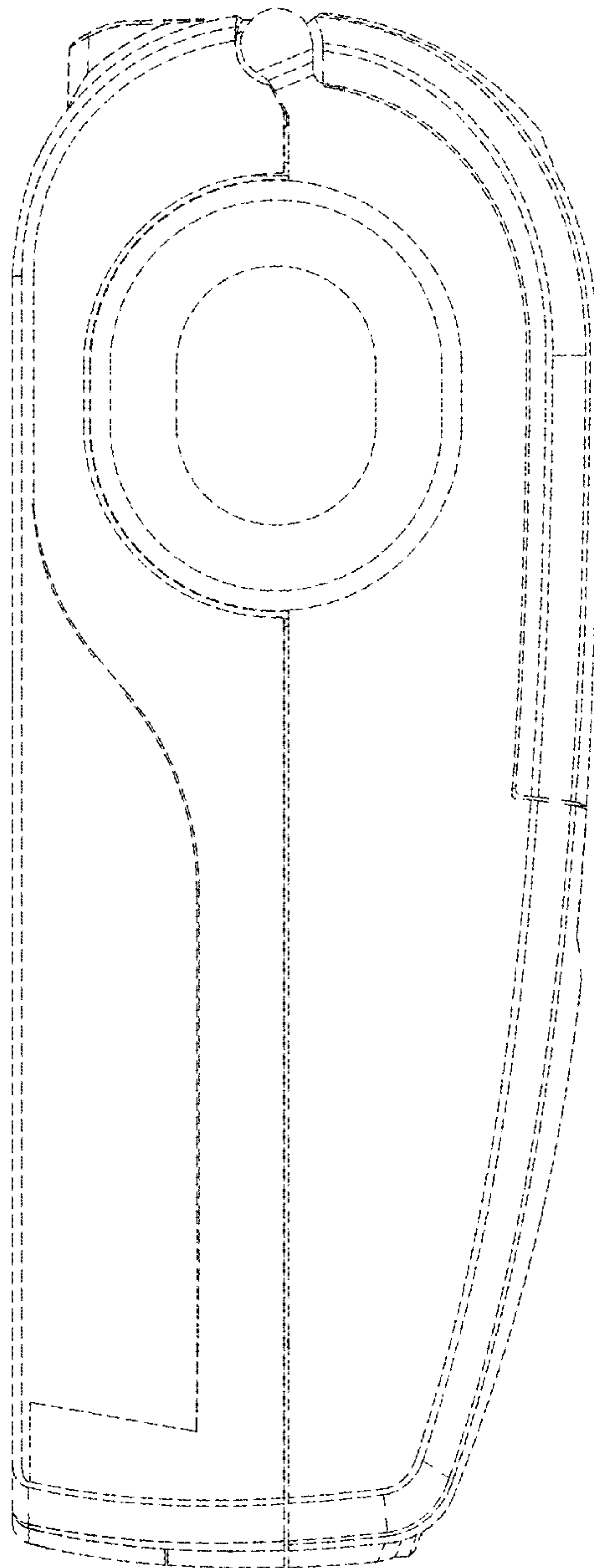


FIG. 6

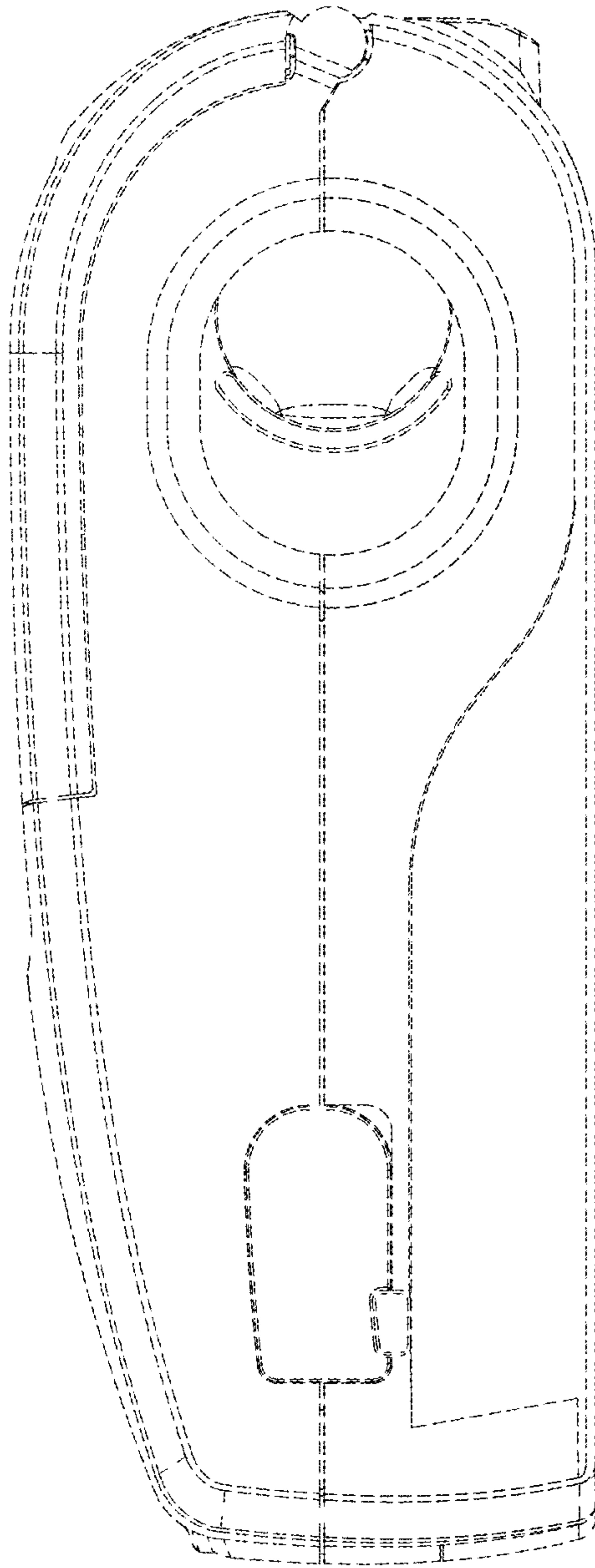


FIG. 7

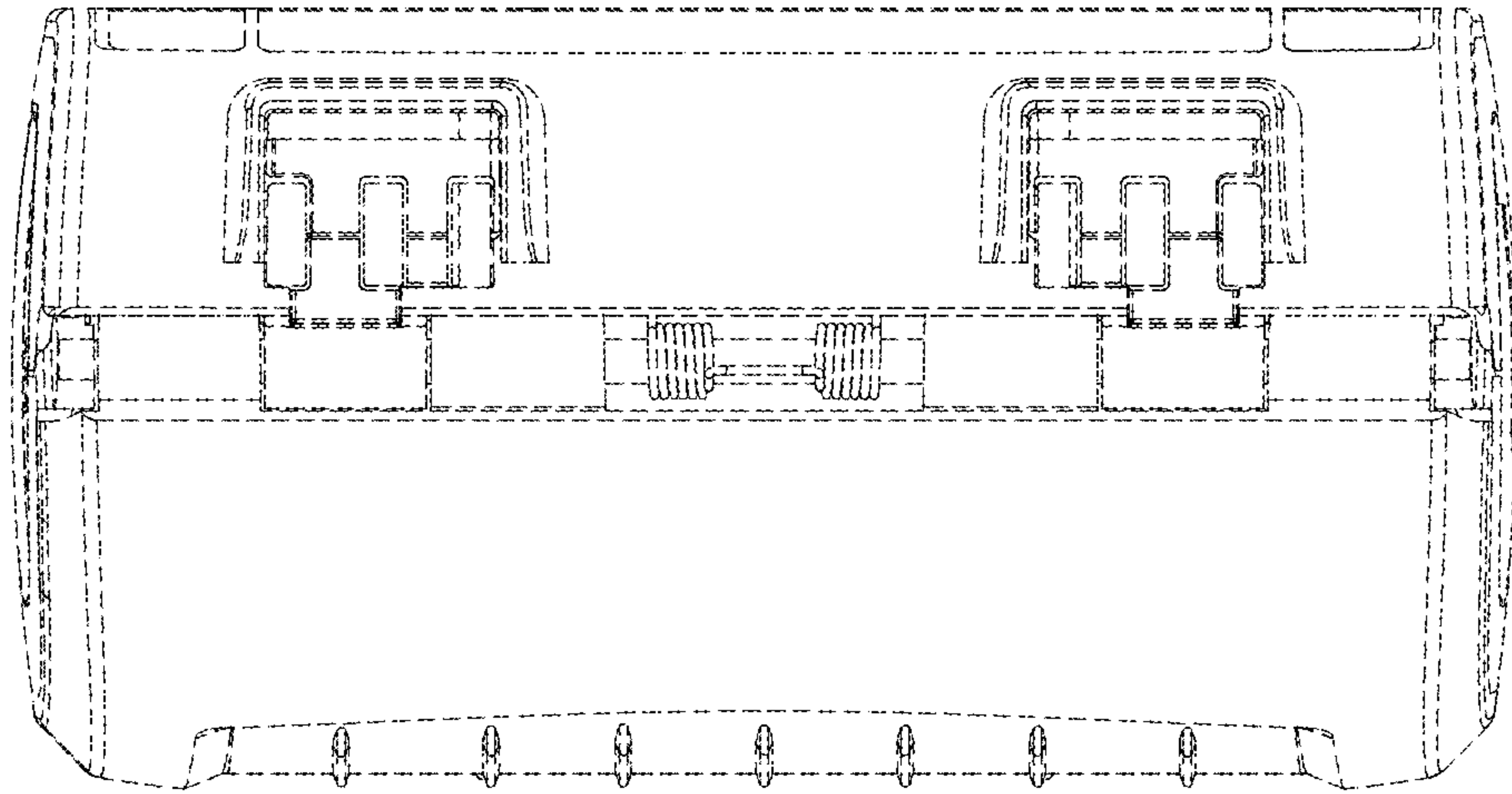


FIG. 8

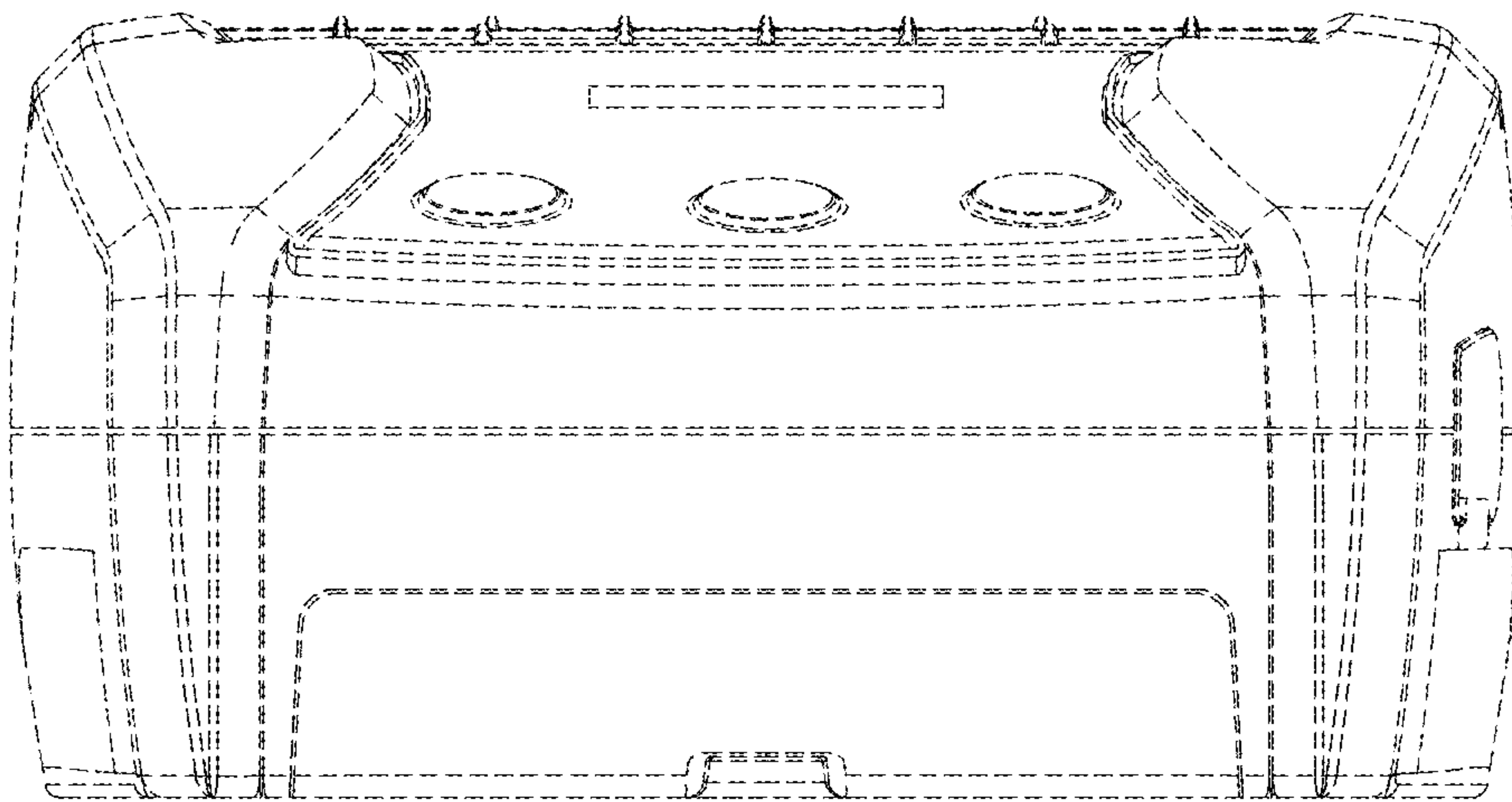


FIG. 9

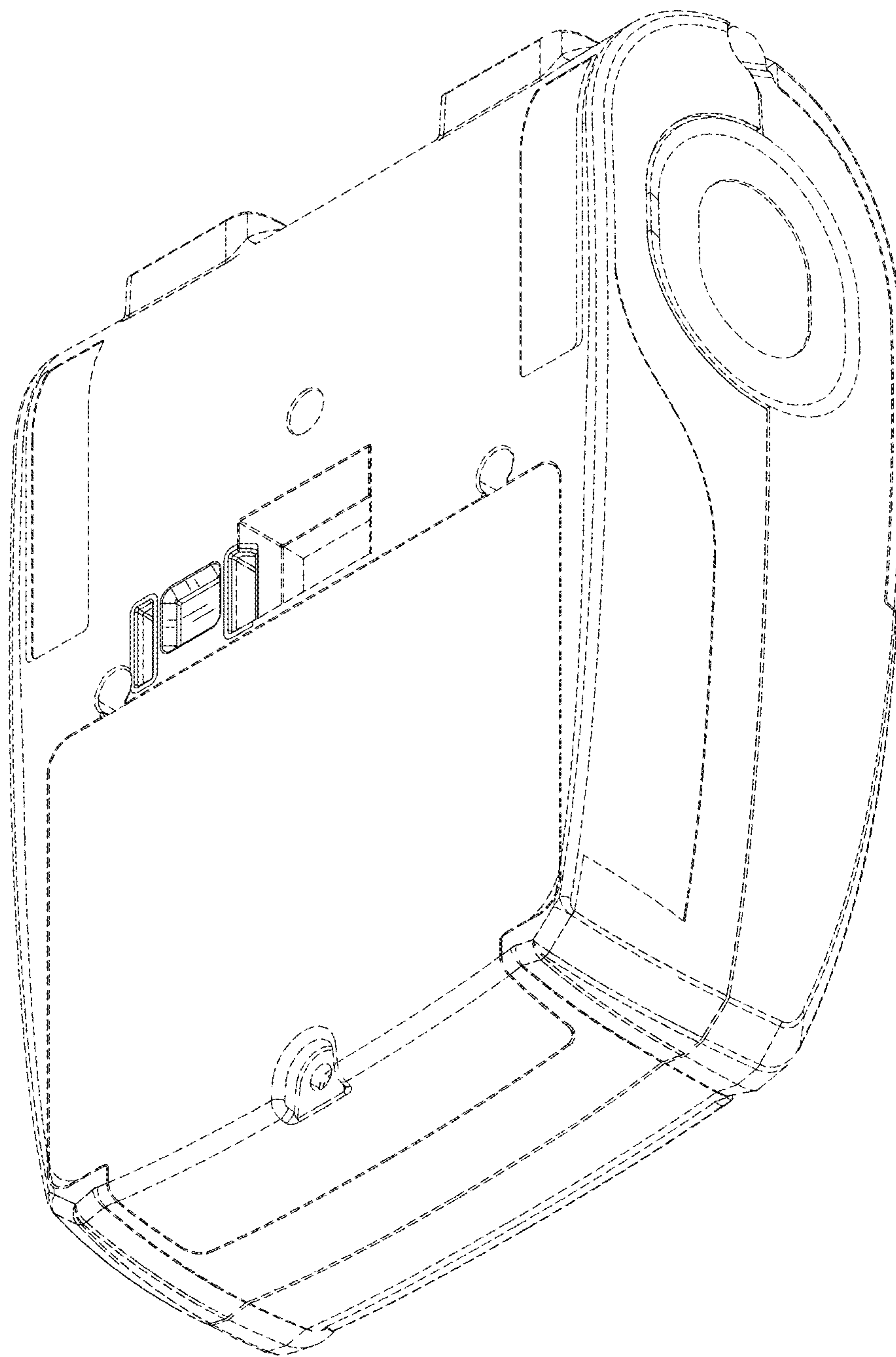


FIG. 10