



US00D935521S

(12) **United States Design Patent**
Eun

(10) **Patent No.:** **US D935,521 S**

(45) **Date of Patent:** **** Nov. 9, 2021**

- (54) **WALL-MOUNTED POS DEVICE**
- (71) Applicant: **POSBANK CO., LTD.**, Seoul (KR)
- (72) Inventor: **Dong-Uk Eun**, Gwangmyeong-si (KR)
- (73) Assignee: **POSBANK CO., LTD.**, Seoul (KR)
- (**) Term: **15 Years**
- (21) Appl. No.: **29/723,472**
- (22) Filed: **Feb. 7, 2020**

(30) **Foreign Application Priority Data**

Jan. 7, 2020 (CN) 202030009196.7

(51) **LOC (13) Cl.** **18-01**

(52) **U.S. Cl.**
USPC **D18/4.5**

(58) **Field of Classification Search**
 USPC D18/4.4, 4.5, 4.6, 2, 11, 12, 12.3, 50, 14,
 D18/19-21, 54, 99, 4.1, 4.3; D14/300,
 D14/307, 314, 328, 332-340, 356, 383,
 D14/385, 386, 434, 447, 451, 453, 457,
 D14/496, 168, 299, 900, 902, 371, 125,
 D14/126, 129, 216, 341; D20/1, 8, 9;
 D99/28, 43; D24/185, 186
 CPC G06F 1/1601; G06F 1/1692; G06Q 20/00;
 G06Q 20/08; G06Q 20/20; G06Q 20/204;
 G06Q 20/18; G07F 7/0873; G07F 7/088;
 G07F 7/0886; G07F 7/0893; G07G
 1/0009; G07G 1/0018
 See application file for complete search history.

(56) **References Cited**

U.S. PATENT DOCUMENTS

- 4,438,458 A * 3/1984 Munscher G06F 1/1601
348/838
- D319,435 S * 8/1991 Brown D14/336
- D321,172 S * 10/1991 Moore, IV D14/389

- D357,495 S * 4/1995 Skaggs D14/336
- D360,196 S * 7/1995 Cox D18/4.5
- D383,739 S * 9/1997 Gilgen D14/126
- 6,031,714 A * 2/2000 Ma G06F 1/1601
248/918
- D438,862 S * 3/2001 Brandenburg D14/336
- D504,426 S * 4/2005 Shoda G06F 1/1601
D14/336
- D532,387 S * 11/2006 Lukic D14/126
- D533,155 S * 12/2006 Nakata D14/126
- D537,079 S * 2/2007 Park D14/375
- D540,797 S * 4/2007 Chen D14/336
- D554,639 S * 11/2007 Kim D14/375
- D578,087 S * 10/2008 Yokota D14/126
- D590,785 S * 4/2009 Yokota D14/126
- D599,756 S * 9/2009 Yokota D14/126
- 7,609,507 B2 * 10/2009 Sakata F16M 11/10
248/176.1
- D619,133 S * 7/2010 Bucsa D14/314
- D676,900 S * 2/2013 Ohno D18/4.4

(Continued)

FOREIGN PATENT DOCUMENTS

CN 211454740 U * 9/2020

Primary Examiner — Marie D. Fast Horse

(74) *Attorney, Agent, or Firm* — Revolution IP, PLLC

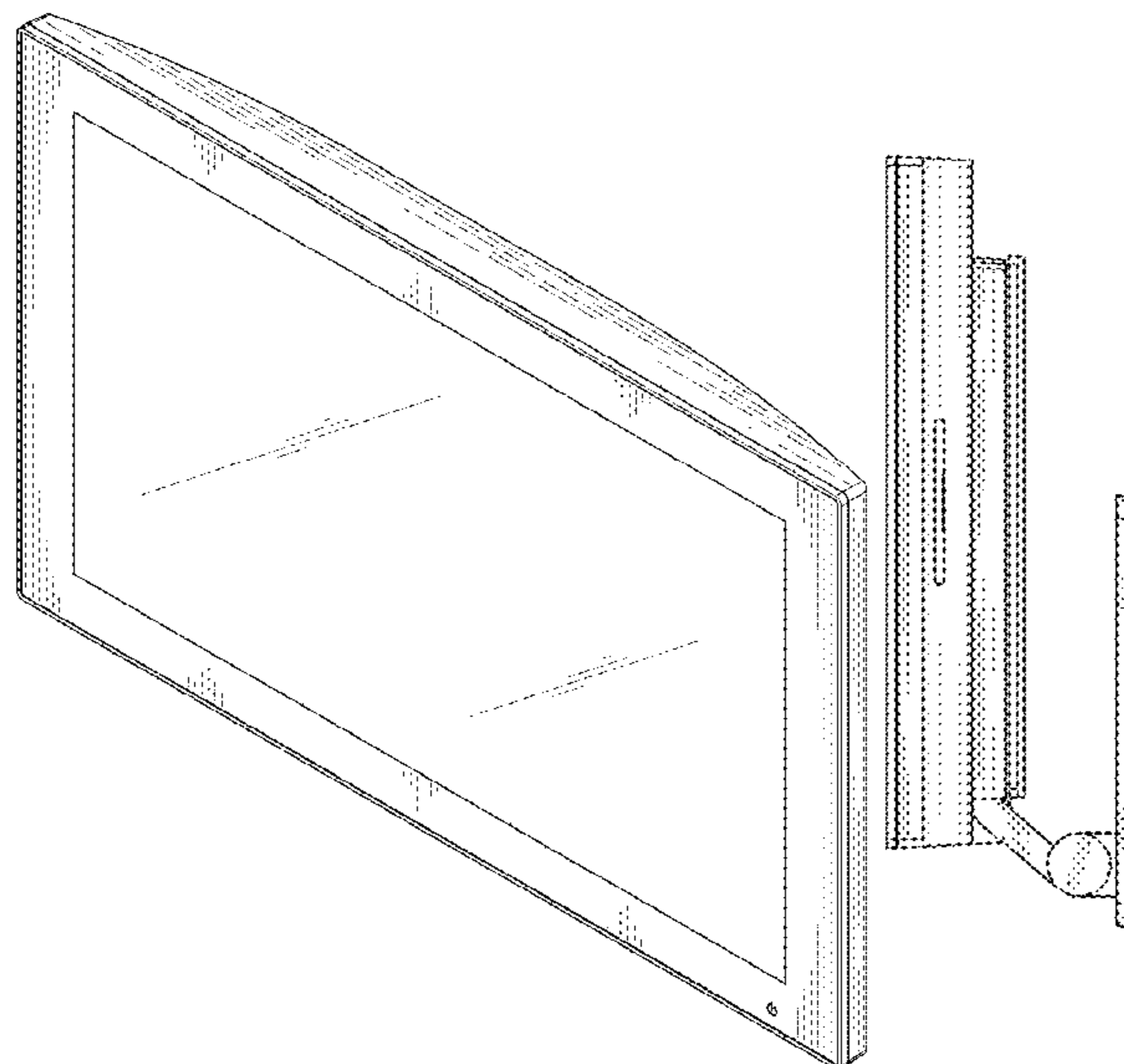
(57) **CLAIM**

The ornamental design for a wall-mounted POS device, as shown and described.

DESCRIPTION

FIG. 1 is a perspective view of a wall-mounted POS (point of sale) device showing the claimed design;
 FIG. 2 is a front view thereof;
 FIG. 3 is a rear view thereof;
 FIG. 4 is a left side view thereof;
 FIG. 5 is a right side view thereof;
 FIG. 6 is a top view thereof; and,
 FIG. 7 is a bottom view thereof.

1 Claim, 7 Drawing Sheets



(56)

References Cited

U.S. PATENT DOCUMENTS

D680,108 S *	4/2013	Kumagai	D14/336	D811,472 S *	2/2018	Chen	D18/4.4
D695,244 S *	12/2013	Wolff	D14/126	D816,662 S *	5/2018	Haller	D14/336
D697,064 S *	1/2014	Chen	D14/336	D817,323 S *	5/2018	Eun	D14/336
D703,631 S *	4/2014	Hallar	D14/129	D844,046 S *	3/2019	Yeruva	D18/4.5
D706,864 S *	6/2014	Branck	D18/4.6	D844,696 S *	4/2019	Yeruva	D18/4.5
D707,288 S *	6/2014	Branck	D18/4.6	D849,832 S *	5/2019	Baker	D18/4.5
D713,447 S *	9/2014	Balar	D18/4.6	D882,680 S *	4/2020	Eun	D18/4.5
D724,040 S *	3/2015	Chan	D14/126	10,747,262 B1 *	8/2020	Chiu	G06F 1/1601
D725,285 S *	3/2015	Wohlstadter	D24/216	D897,338 S *	9/2020	Escolin	D14/336
D727,893 S *	4/2015	Lee	D14/336	D902,296 S *	11/2020	Cathala	D18/4.5
D732,495 S *	6/2015	Liao	D14/126	D918,193 S *	5/2021	Fredette	D14/307
D735,802 S *	8/2015	Lyons	D18/4.5	D920,324 S *	5/2021	Warren	D14/336
D743,394 S *	11/2015	Chang	D14/375	2008/0266768 A1 *	10/2008	Drew	F16M 11/105 361/679.06
D746,902 S *	1/2016	Lyons	D18/4.5	2014/0353453 A1 *	12/2014	Quijano	F16M 11/2021 248/419
D763,255 S *	8/2016	Lee	D14/371	2015/0001291 A1 *	1/2015	Govindarajan	G06Q 20/204 235/380
D772,335 S *	11/2016	Mantrawadi	D18/4.6	2015/0199668 A1 *	7/2015	Fernando	G06Q 20/20 705/14.65
D778,982 S *	2/2017	Beatty	D18/4.5	2016/0161045 A1 *	6/2016	Lee	G06F 1/1601 361/679.22
9,659,466 B1 *	5/2017	Chen	G06Q 20/20	2017/0300083 A1 *	10/2017	Park	G06F 1/1601
D803,827 S *	11/2017	Escolin	D14/336				
D806,068 S *	12/2017	Liu	D14/336				
D807,424 S *	1/2018	Chang	D18/4.4				
D810,816 S *	2/2018	Chen	D18/4.4				

* cited by examiner

FIG. 1

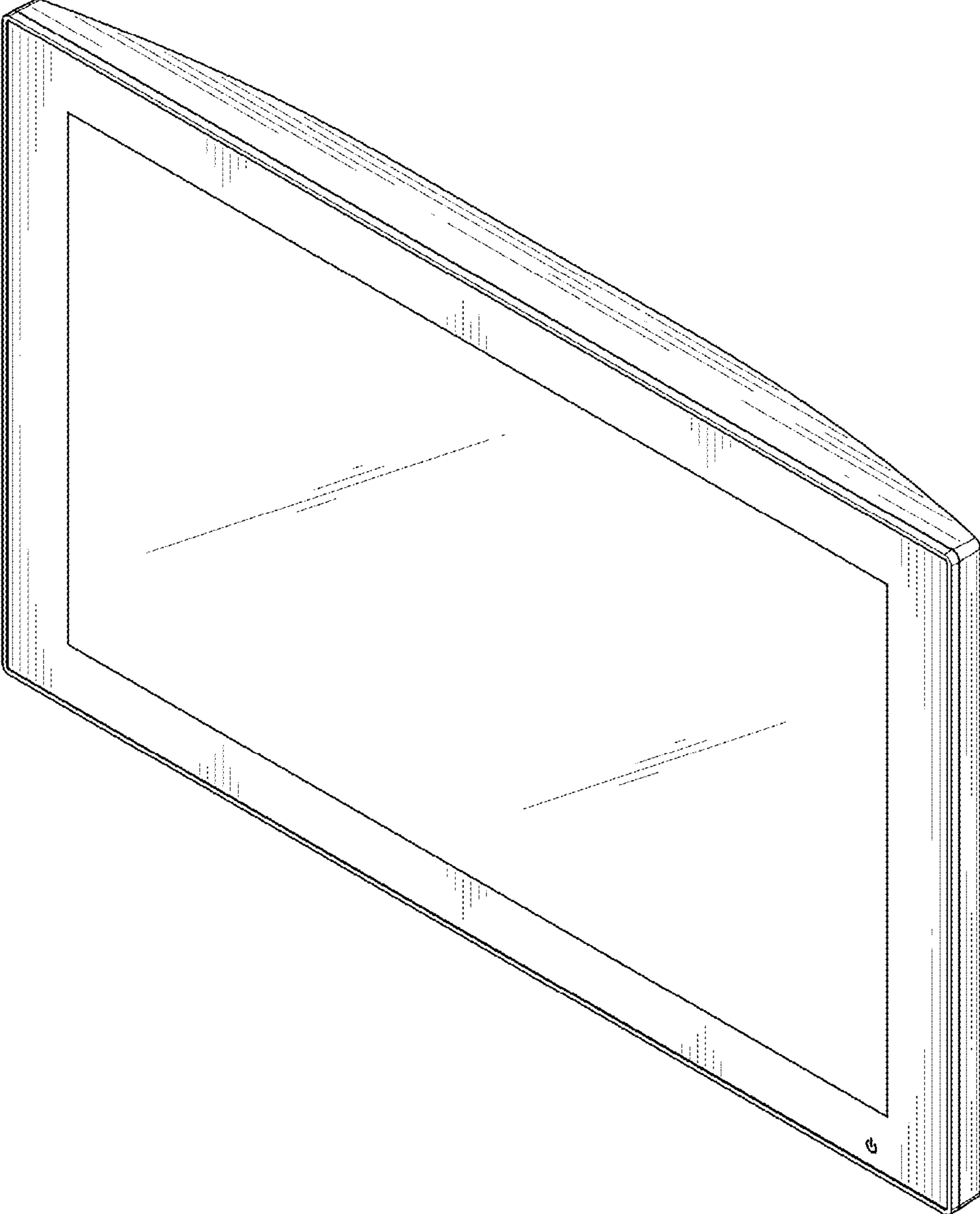


FIG. 2

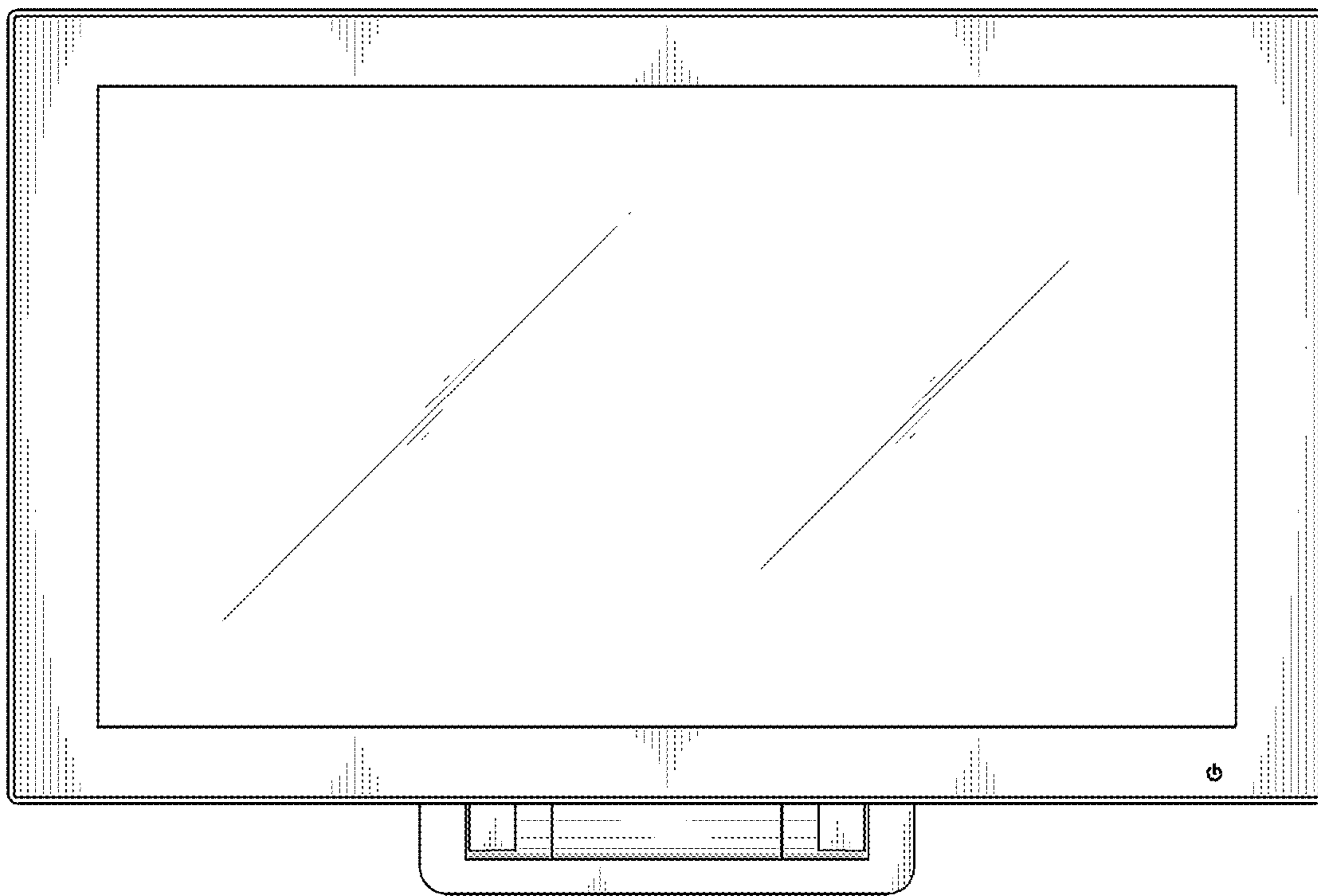


FIG. 3

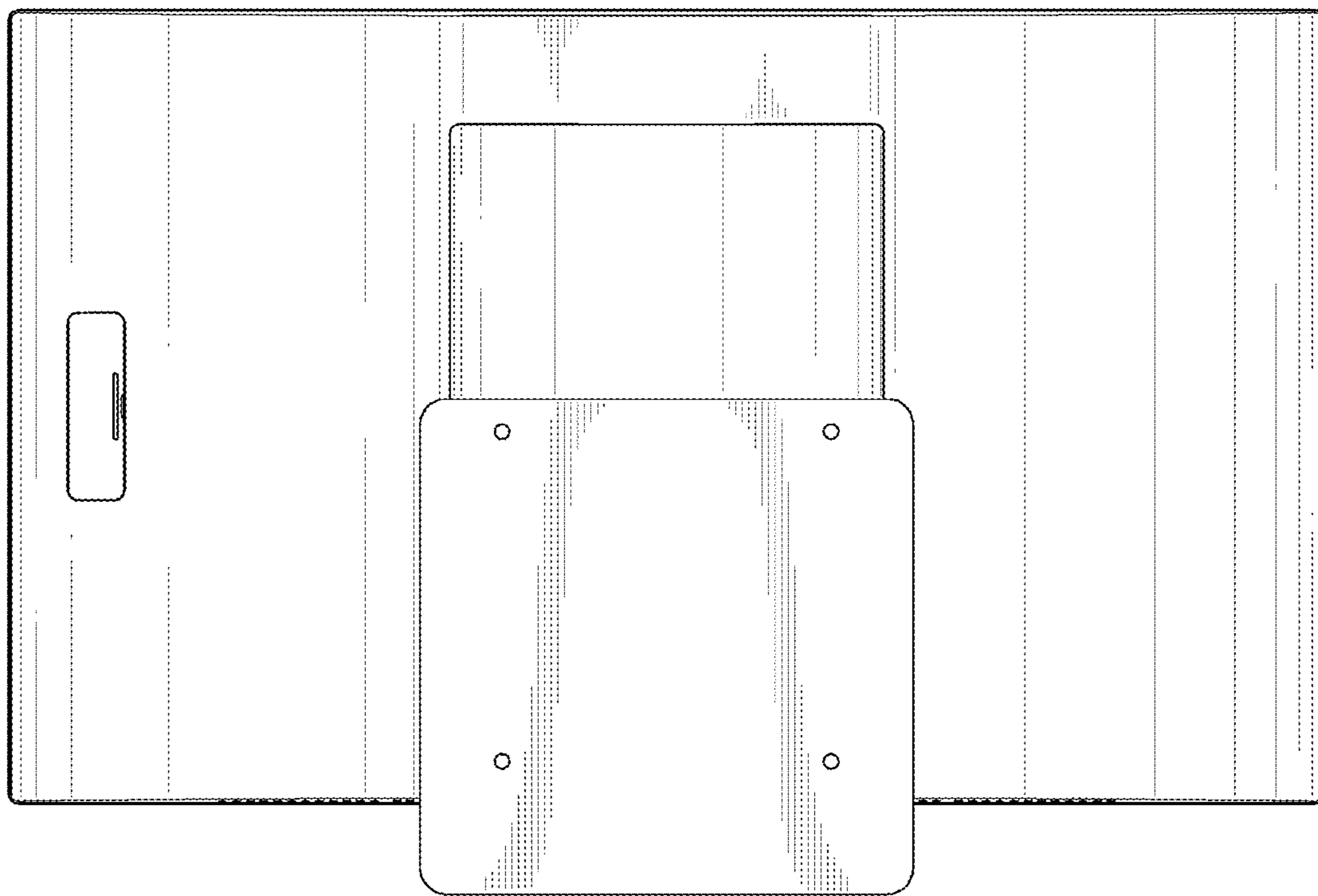


FIG. 4

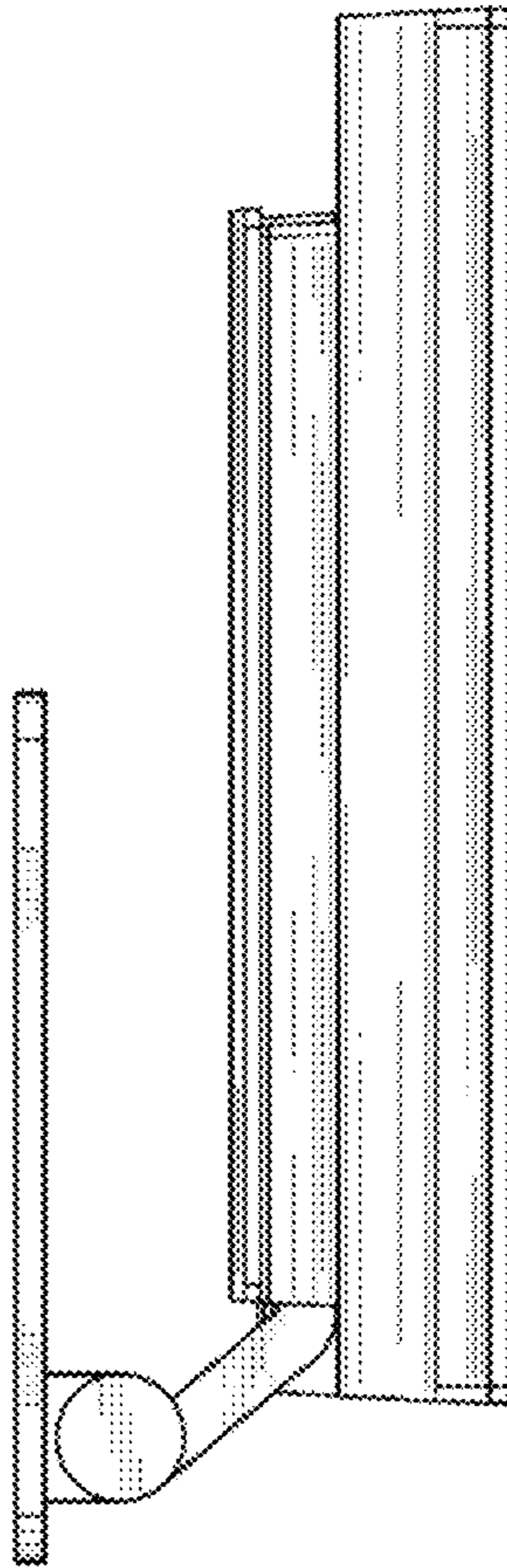


FIG. 5

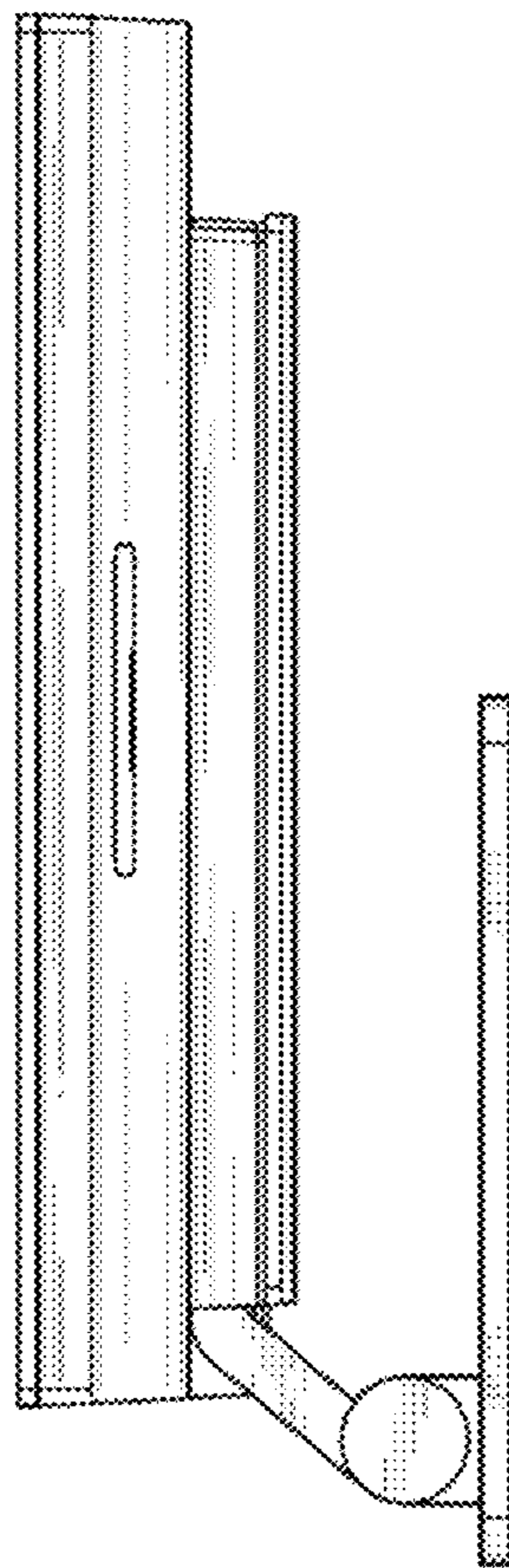


FIG. 6

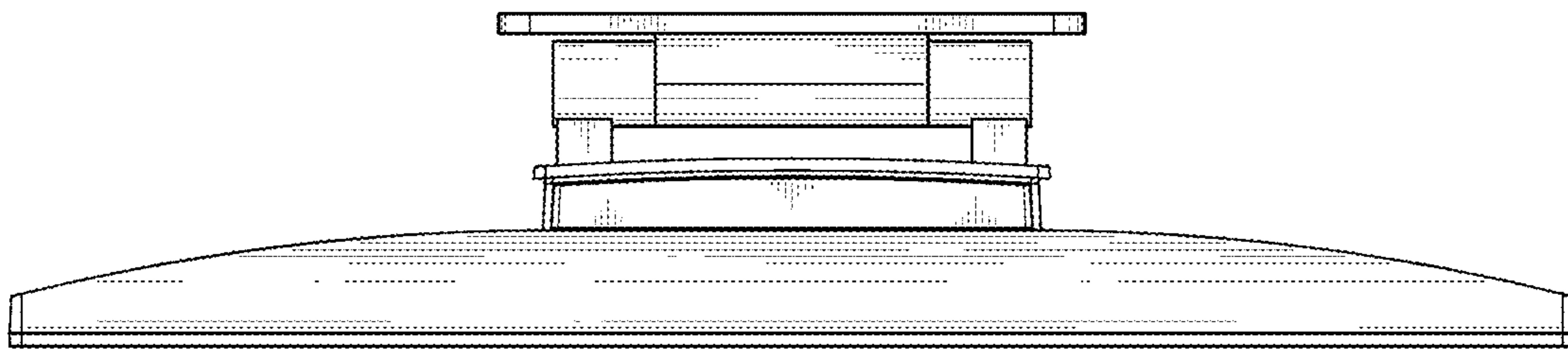


FIG. 7

