



US00D935510S

(12) **United States Design Patent** (10) **Patent No.:** **US D935,510 S**
Yang (45) **Date of Patent:** **** Nov. 9, 2021**

(54) **REAR FACING CAR SEAT MONITOR**

D898,798 S * 10/2020 Xiong D16/202
D904,486 S * 12/2020 Xiong D16/208
D904,487 S * 12/2020 Xiong D16/208
D907,098 S * 1/2021 Xiong D16/208

(71) Applicant: **UNIVERSAL TECHNOLOGY INDUSTRIAL (HK) LIMITED,**
Cheung Sha Wan (HK)

(72) Inventor: **Chunmei Yang,** Shenzhen (CN)

(**) Term: **15 Years**

(21) Appl. No.: **29/741,720**

(22) Filed: **Jul. 15, 2020**

(51) **LOC (13) Cl.** **16-01**

(52) **U.S. Cl.**
USPC **D16/218;** D16/208

(58) **Field of Classification Search**
USPC D16/200–208, 210, 214, 218, 219, 242;
348/373–376; 396/419, 427, 428, 535,
396/539–541
CPC G03B 15/03; G03B 17/02; G03B 17/04;
G03B 17/56; G03B 19/04; H04N 5/2251;
H04N 5/2252; H04N 5/2253; H04N
5/2254; H04N 2101/00

See application file for complete search history.

(56) **References Cited**

U.S. PATENT DOCUMENTS

D470,828 S	2/2003	Solland	
D639,780 S	6/2011	Knafou et al.	
D661,692 S	6/2012	Sanlaville	
D694,797 S *	12/2013	Parker	D16/203
D713,439 S *	9/2014	Zhang	D16/210
D721,753 S *	1/2015	Park	D16/202
D742,346 S	11/2015	Huang et al.	
D778,857 S	2/2017	Liu et al.	
D839,945 S *	2/2019	Lenz	D16/218
D849,098 S *	5/2019	Kapuria	D16/208
D875,803 S *	2/2020	Yuan	D16/202
D889,475 S *	7/2020	Yamamoto	D14/447

OTHER PUBLICATIONS

Lovinouse Baby Car Mirror, Large Size 170 Degree Rear Wider Clear View, Camera Aimed at Baby Every Move (Black), announced Jul. 14, 2020, Amazon.com, [online], [site visited Jan. 15, 2021], Available from Internet URL:<<https://www.amazon.com/Lovinouse-Mirror-Large-Degree-Camera/dp/B08CXVQ8KP/>> (Year: 2020).*

* cited by examiner

Primary Examiner — Ramzi Almatrahi
(74) *Attorney, Agent, or Firm* — Rumit Ranjit Kanakia

(57) **CLAIM**

I claim the ornamental design for a rear facing car seat monitor, as shown and described.

DESCRIPTION

FIG. 1 is a Perspective view of a rear facing car seat monitor showing my new design;
FIG. 2 is a Front view thereof;
FIG. 3 is a Back view thereof;
FIG. 4 is a Left-side view thereof;
FIG. 5 is a Right-side view thereof;
FIG. 6 is a Top view thereof;
FIG. 7 is a Bottom view thereof; and,
FIG. 8 is another top view thereof, shown with the rear facing car seat monitor in condition of use.
The broken lines depict portions of the rear facing car seat monitor that form no part of the claimed design.

1 Claim, 6 Drawing Sheets



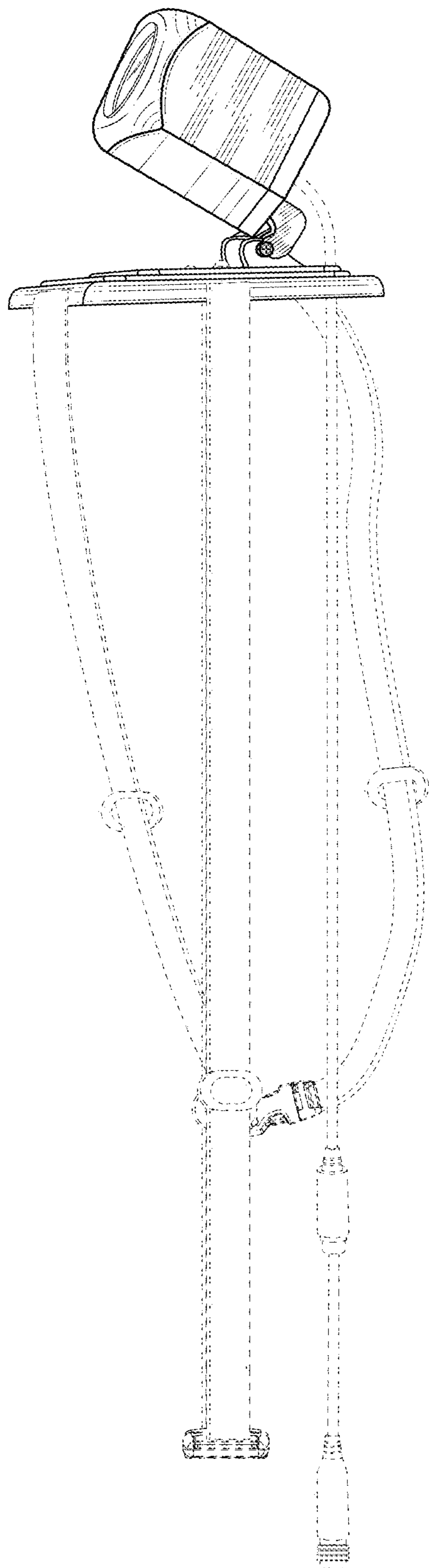


FIG. 1

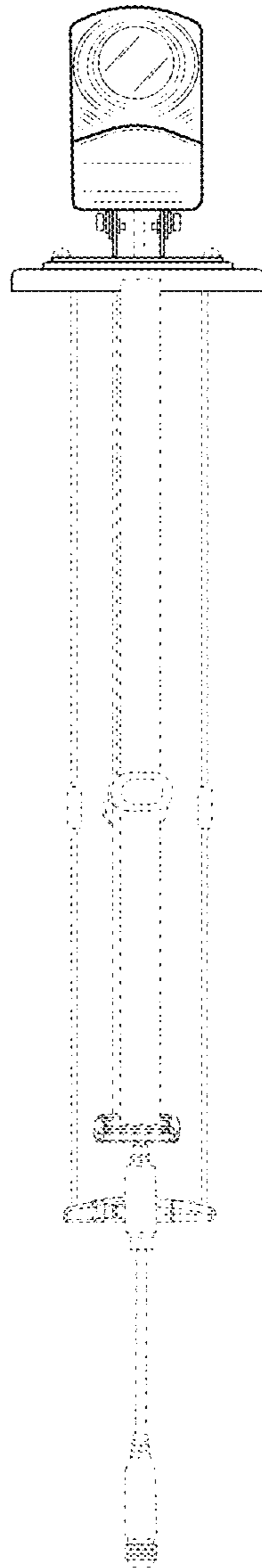


FIG. 2

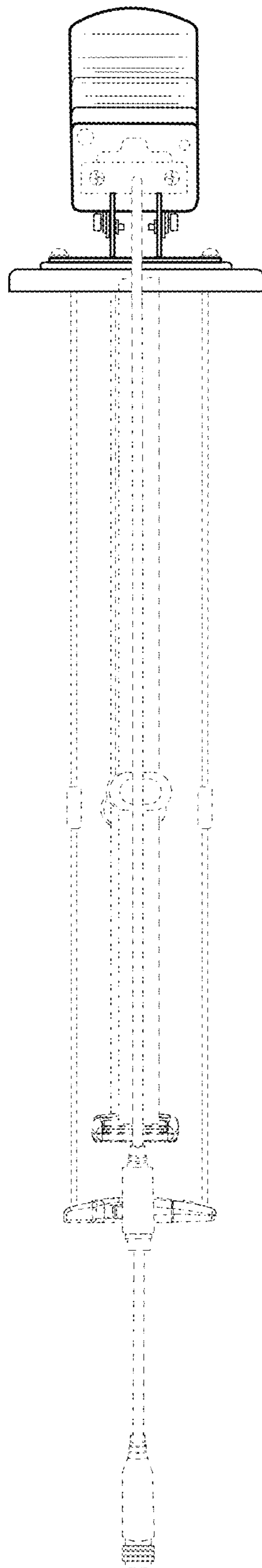


FIG. 3

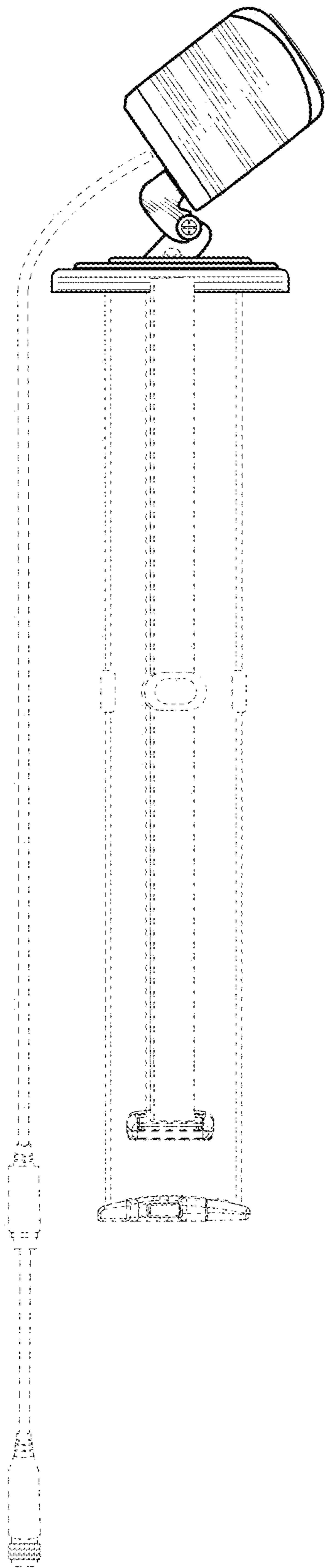


FIG. 4

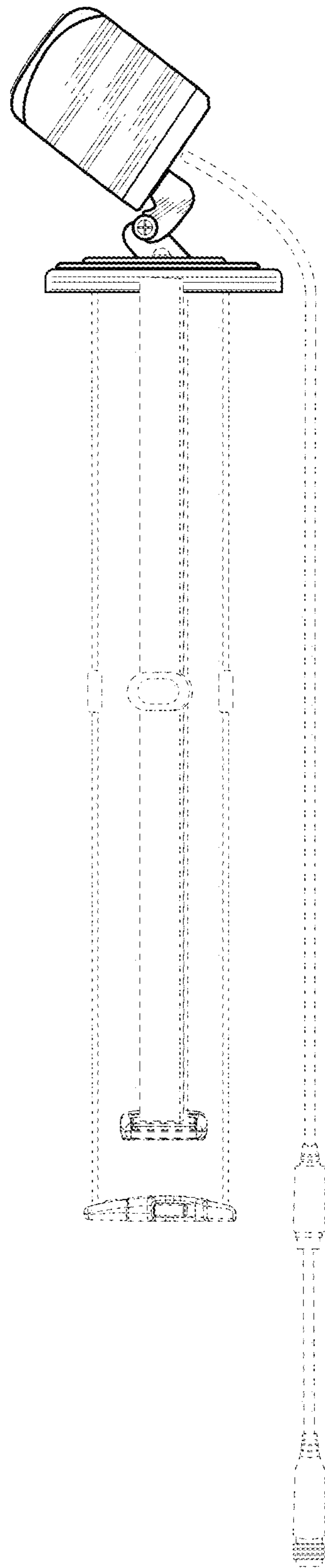


FIG. 5

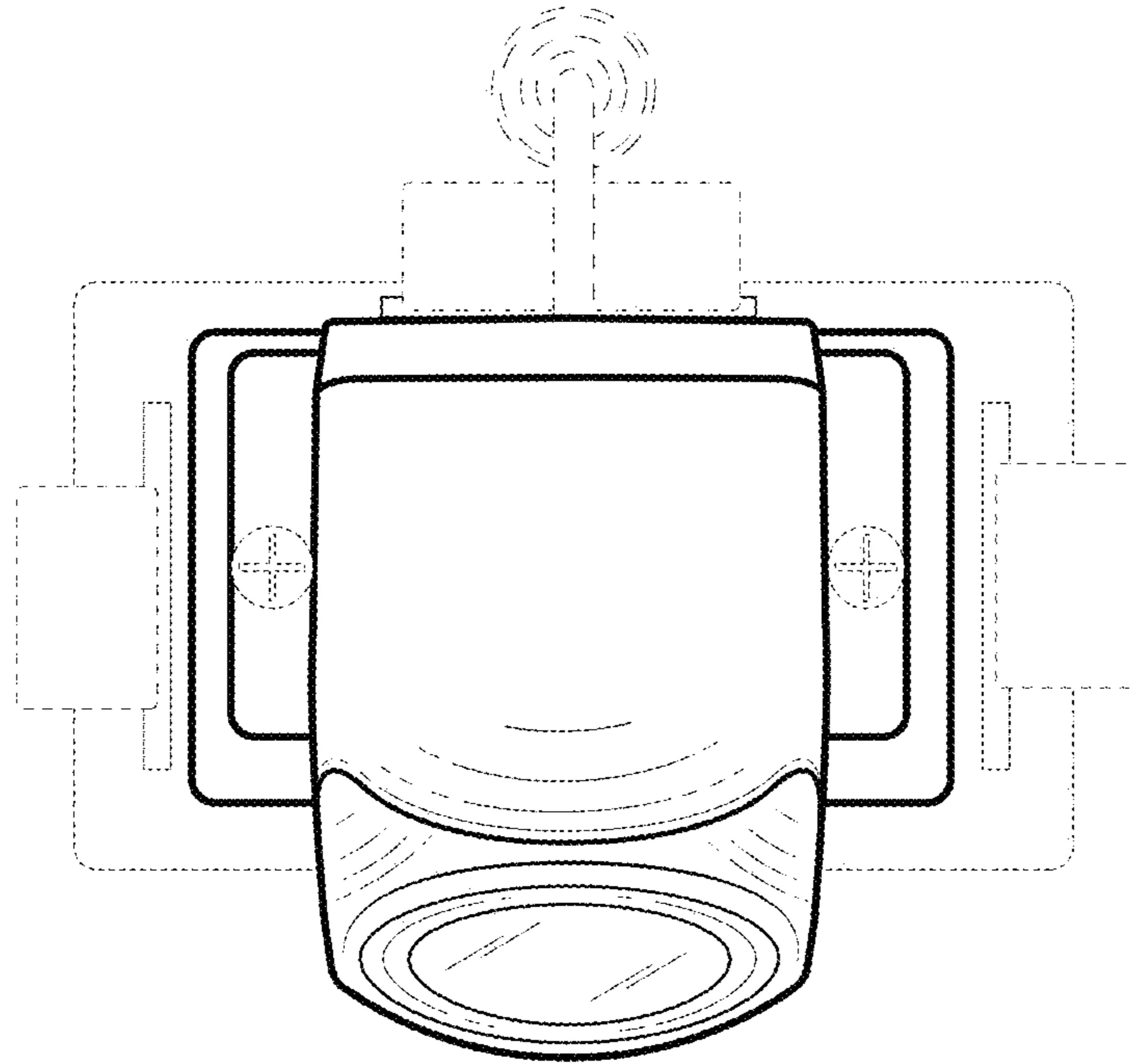


FIG. 6

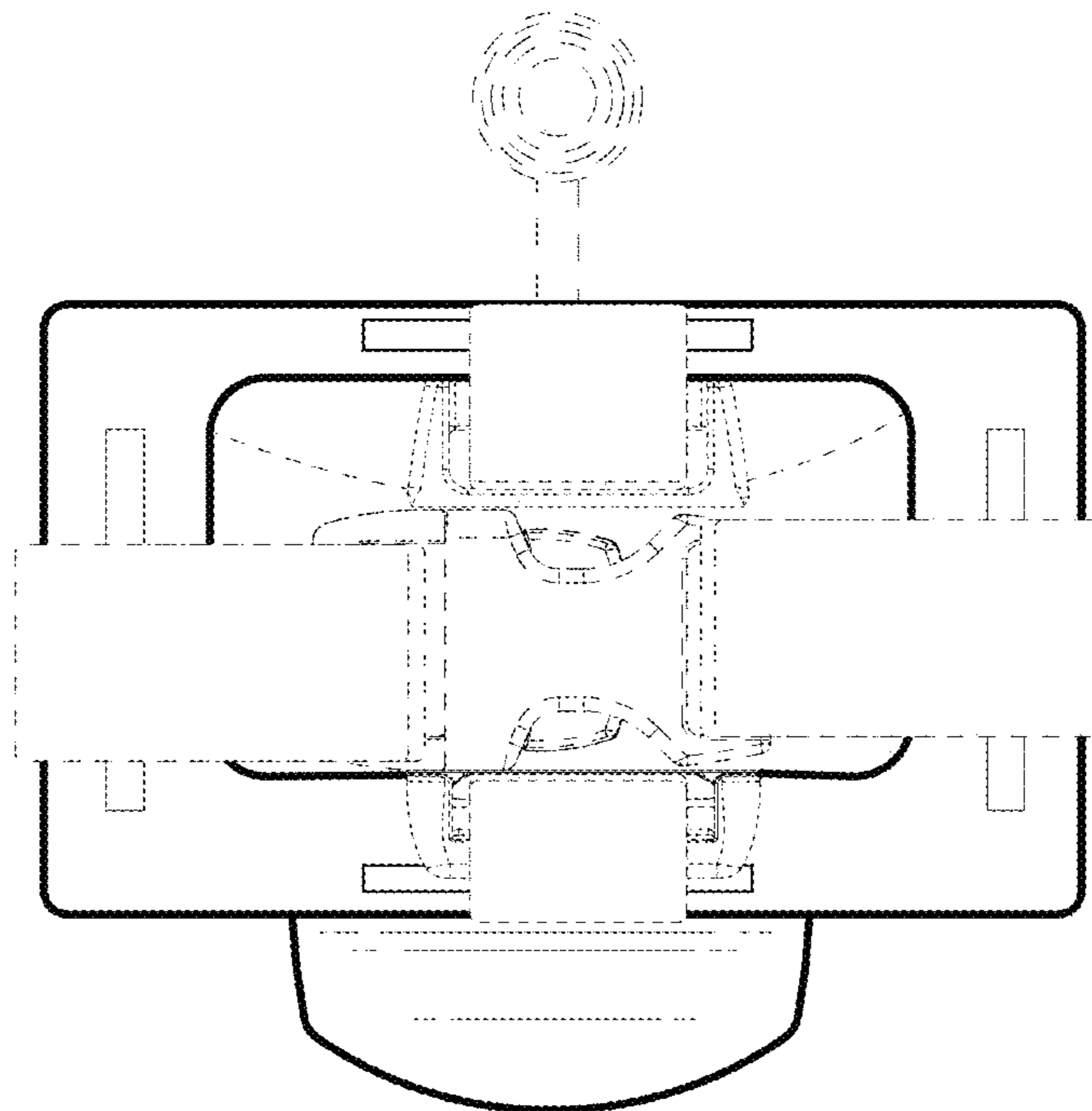


FIG. 7

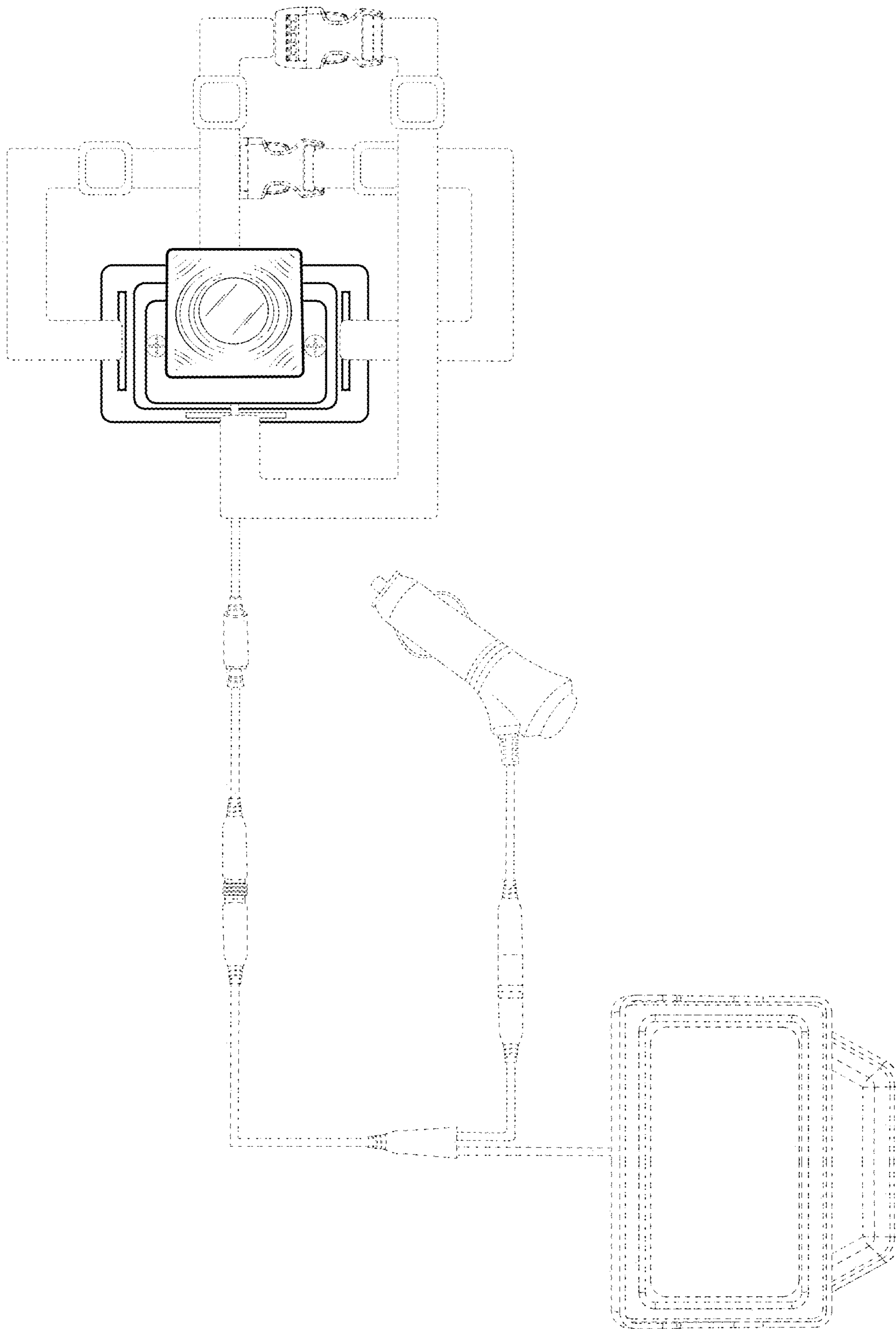


FIG. 8