



US00D935509S

(12) **United States Design Patent** (10) **Patent No.:** **US D935,509 S**  
**Yang** (45) **Date of Patent:** **\*\* Nov. 9, 2021**

(54) **REAR FACING CAR SEAT MONITOR**

D904,486 S \* 12/2020 Xiong ..... D16/208  
D904,487 S \* 12/2020 Xiong ..... D16/208  
D907,098 S \* 1/2021 Xiong ..... D16/208

(71) Applicant: **UNIVERSAL TECHNOLOGY INDUSTRIAL (HK) LIMITED,**  
Cheung Sha Wan (HK)

**OTHER PUBLICATIONS**

(72) Inventor: **Chunmei Yang,** Shenzhen (CN)

Itomoro Baby Car Mirror, View Infant in Rear Facing Seat with Wide Crystal Clear View, Camera Aimed at Baby-Easily., announced Mar. 14, 2020, Amazon.com, [online], [site visited Jan. 15, 2021], Available from Internet URL:<https://www.amazon.com/Itomoro-Mirror-Crystal-Baby-Easily-Observe/dp/B085WSJDVH/> (Year: 2020).\*  
https://www.amazon.com/Itomoro-Mirror-Crystal-Baby-Easily-Observe/dp/B07VFWLRLS; Jul. 19, 2019.

(\*\*) Term: **15 Years**

\* cited by examiner

(21) Appl. No.: **29/741,717**

(22) Filed: **Jul. 15, 2020**

(51) **LOC (13) Cl.** ..... **16-01**

(52) **U.S. Cl.**

USPC ..... **D16/218;** D16/208

(58) **Field of Classification Search**

USPC ..... D16/200–208, 210, 214, 218, 219, 242;  
348/373–376; 396/419, 427, 428, 535,  
396/539–541

CPC ..... G03B 15/03; G03B 17/02; G03B 17/04;  
G03B 17/56; G03B 19/04; H04N 5/2251;  
H04N 5/2252; H04N 5/2253; H04N  
5/2254; H04N 2101/00

See application file for complete search history.

*Primary Examiner* — Ramzi Almatrahi

(74) *Attorney, Agent, or Firm* — Rumit Ranjit Kanakia

(57) **CLAIM**

I claim the ornamental design for a rear facing car seat monitor, as shown and described.

**DESCRIPTION**

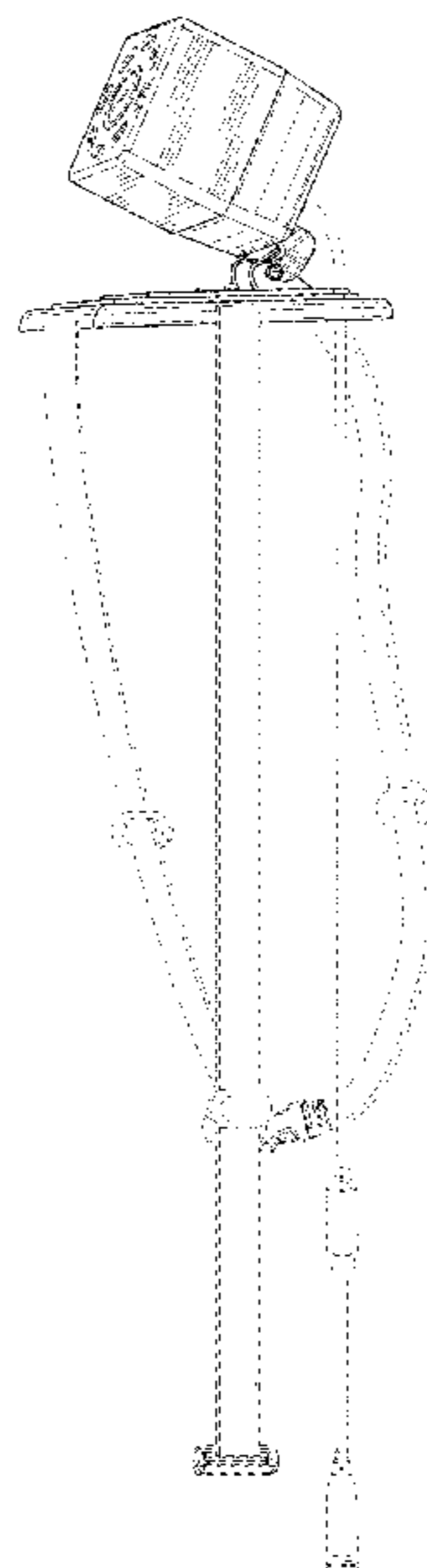
(56) **References Cited**

**U.S. PATENT DOCUMENTS**

D470,828 S	2/2003	Solland	
D639,780 S	6/2011	Knafou et al.	
D661,692 S	6/2012	Sanlaville	
D694,797 S *	12/2013	Parker	D16/203
D713,439 S *	9/2014	Zhang	D16/210
D721,753 S *	1/2015	Park	D16/202
D742,346 S	11/2015	Huang et al.	
D778,857 S	2/2017	Liu et al.	
D839,945 S *	2/2019	Lenz	D16/218
D849,098 S *	5/2019	Kapuria	D16/208
D875,803 S *	2/2020	Yuan	D16/202
D889,475 S *	7/2020	Yamamoto	D14/447
D898,798 S *	10/2020	Xiong	D16/202

FIG. 1 is a Perspective view of a rear facing car seat monitor showing my new design;  
FIG. 2 is a Front view thereof;  
FIG. 3 is a Back view thereof;  
FIG. 4 is a Left-side view thereof;  
FIG. 5 is a Right-side view thereof;  
FIG. 6 is a Top view thereof;  
FIG. 7 is a Bottom view thereof; and,  
FIG. 8 is another top view thereof, shown with the rear facing car seat monitor in condition of use.  
The broken lines depict portions of the rear facing car seat monitor that form no part of the claimed design.

**1 Claim, 6 Drawing Sheets**



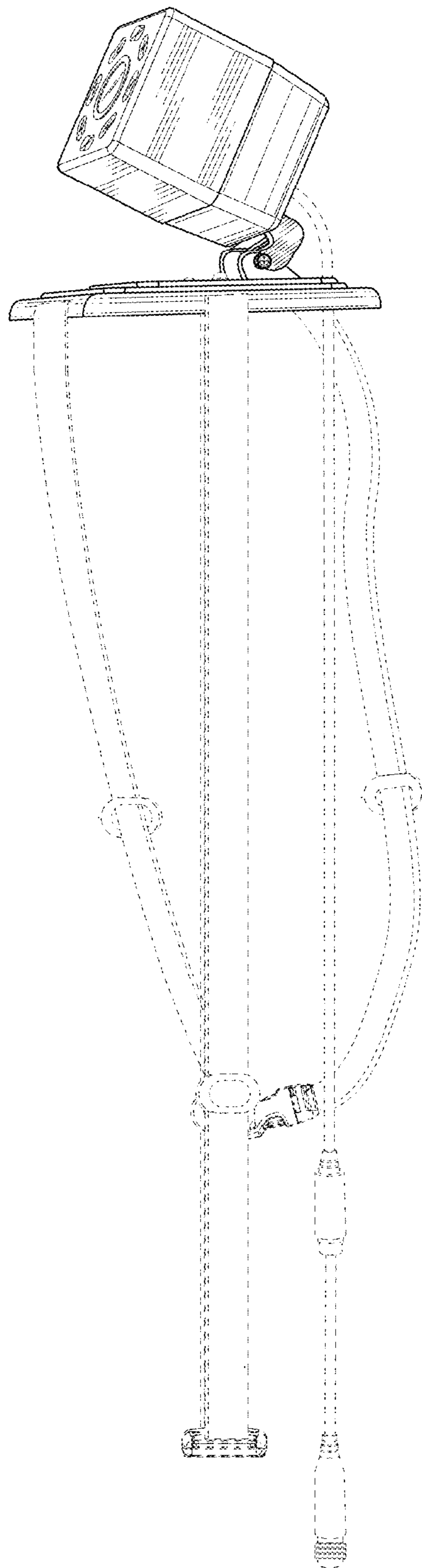


FIG. 1

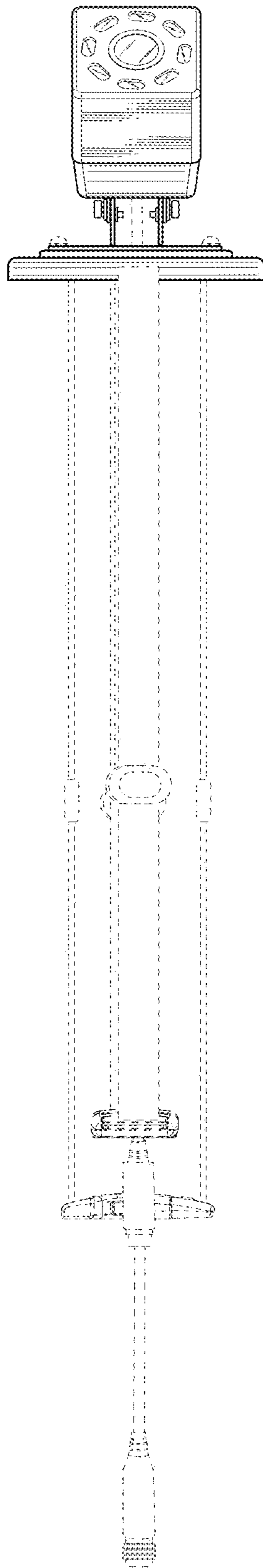


FIG. 2

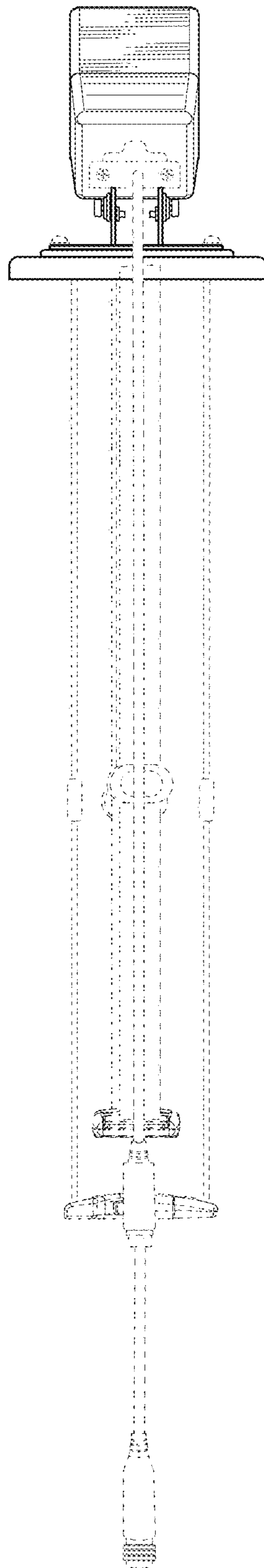


FIG. 3

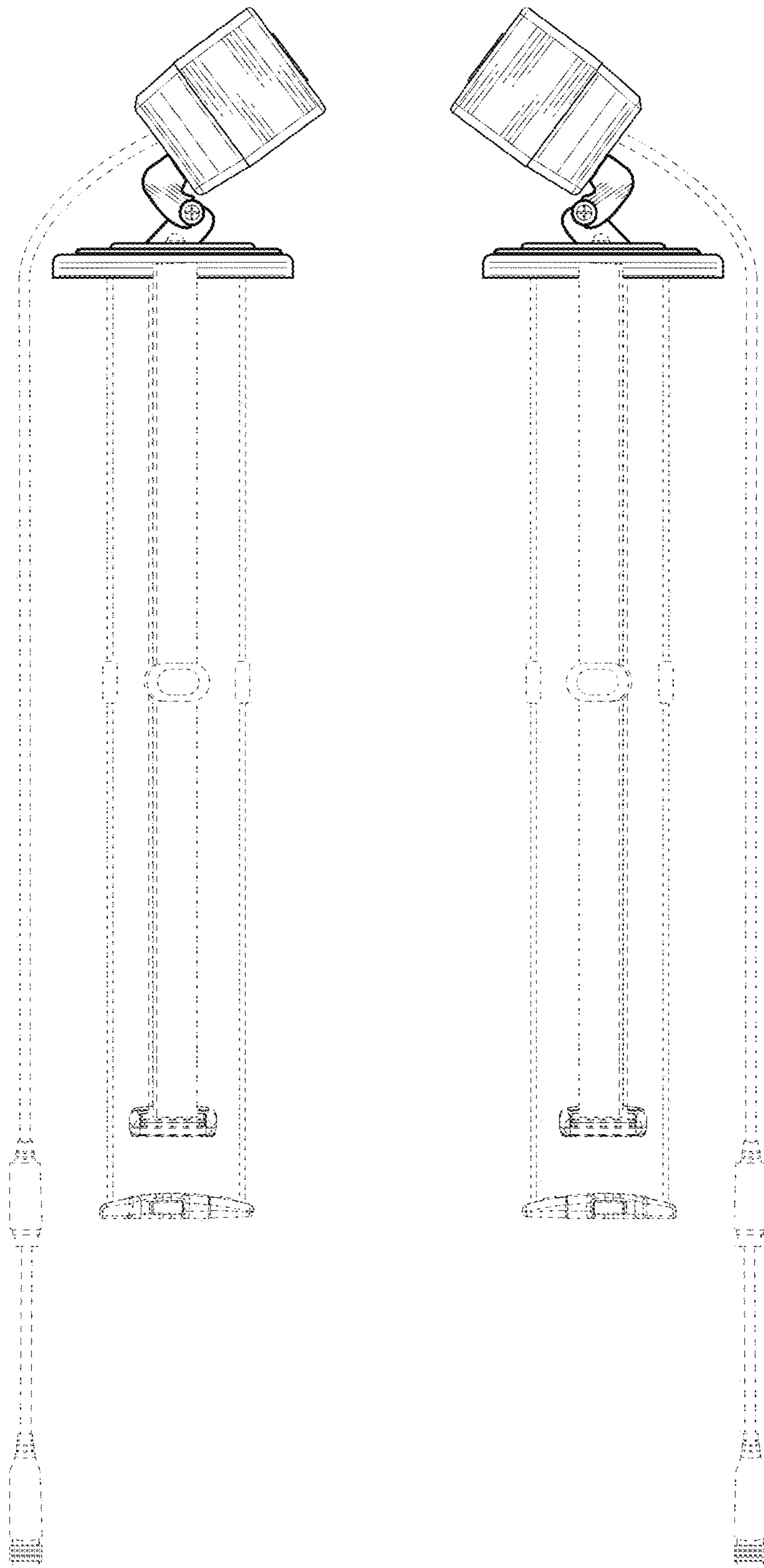


FIG. 4

FIG. 5

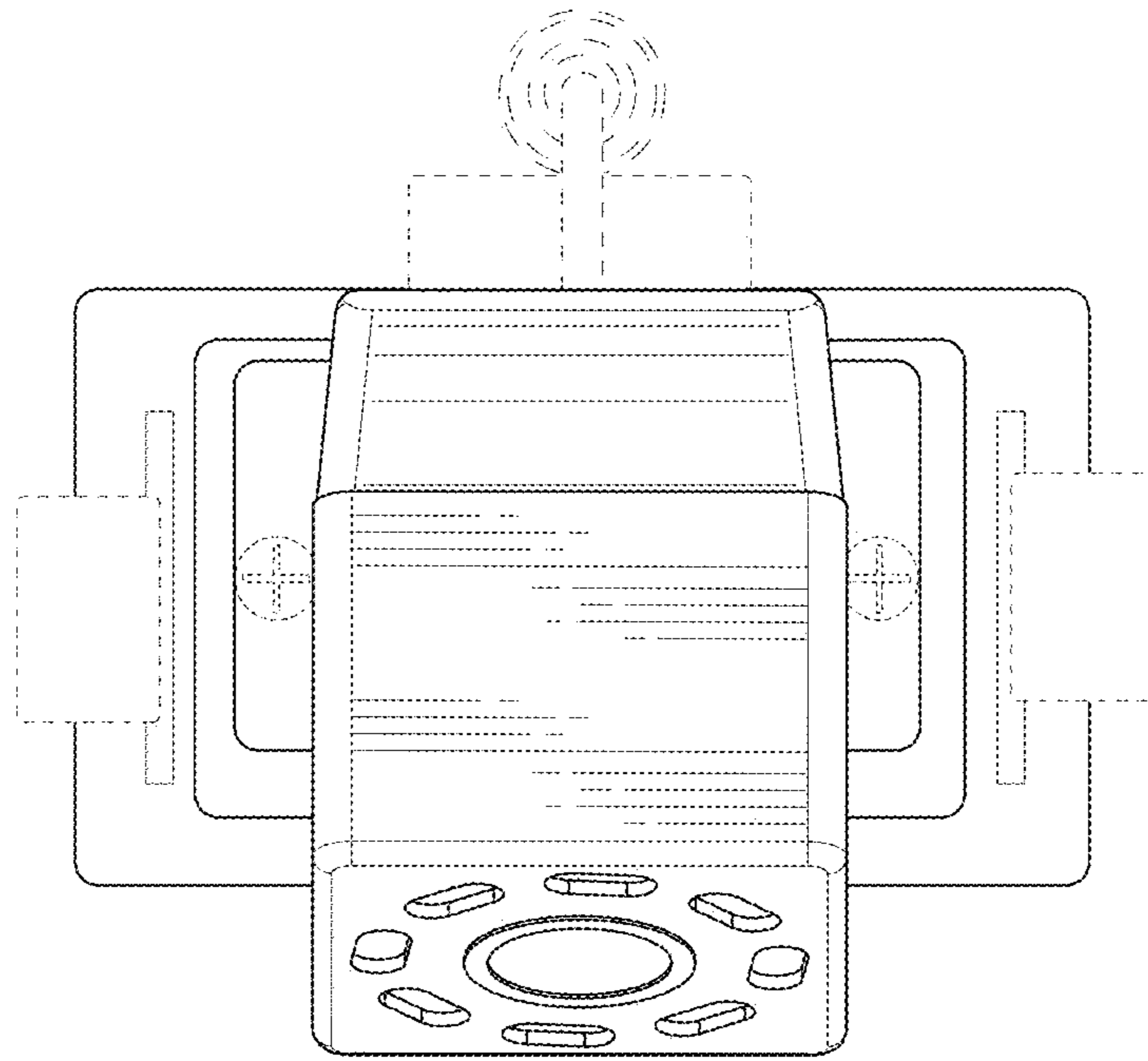


FIG. 6

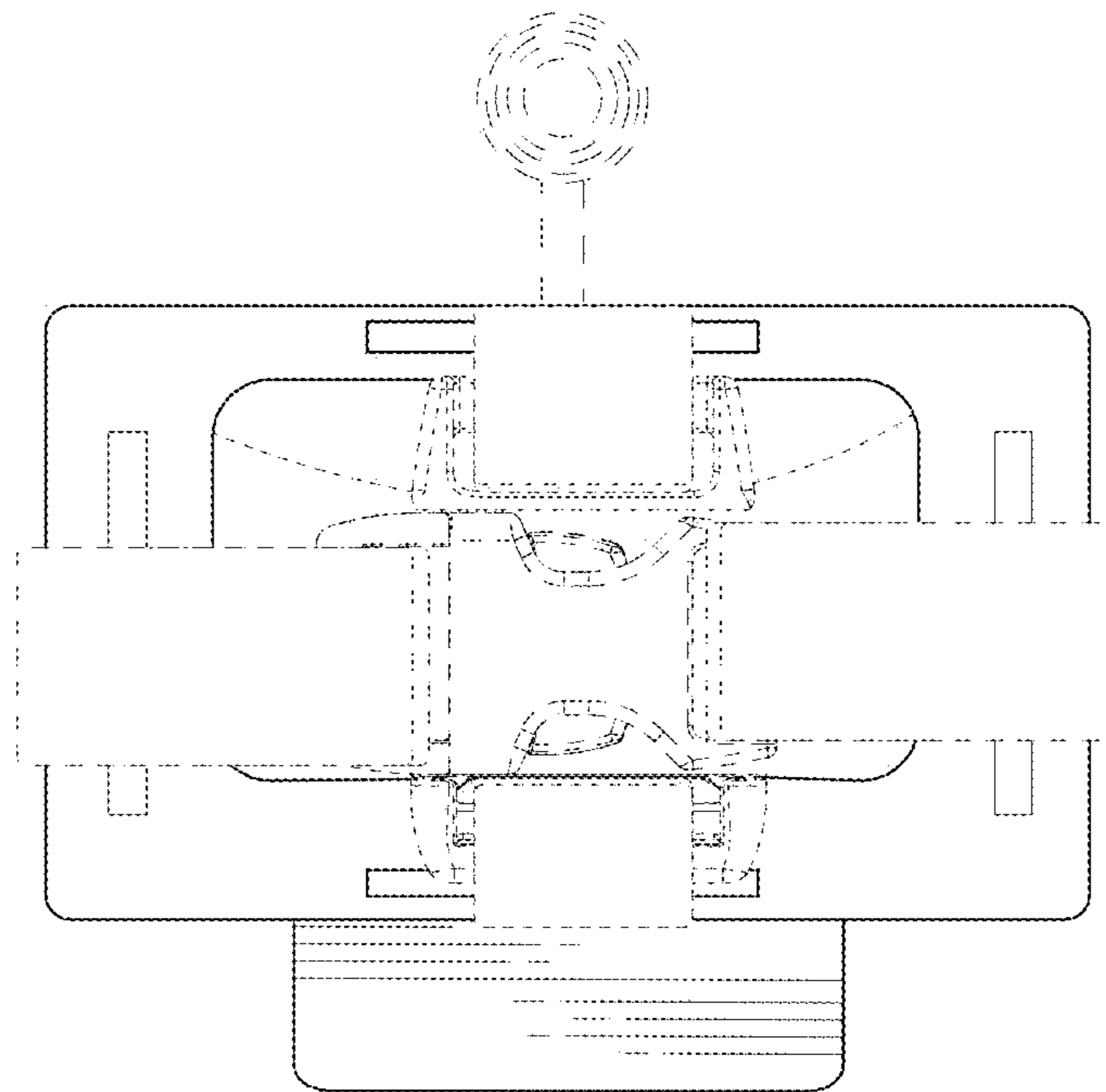


FIG. 7

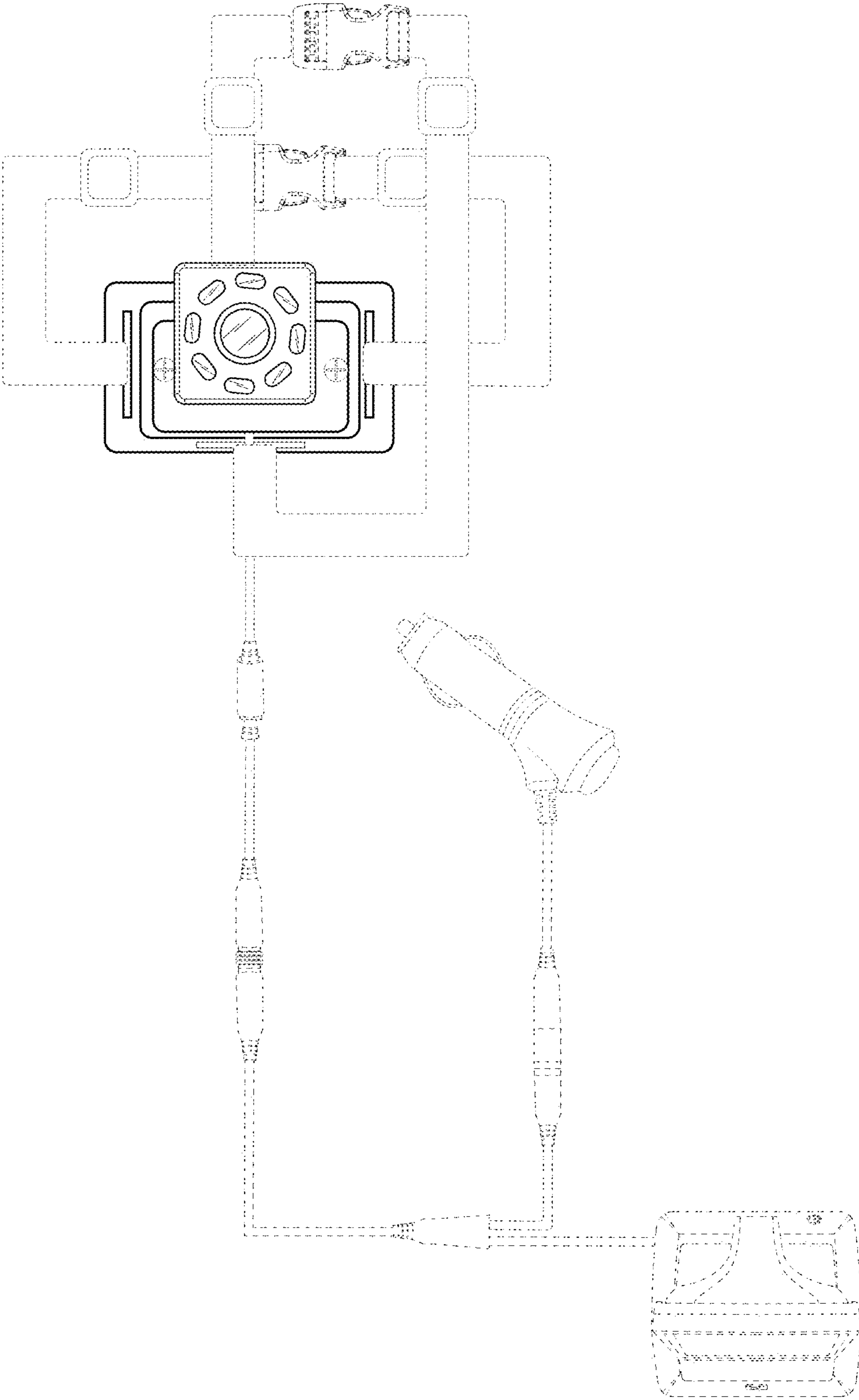


FIG. 8