



US00D935508S

(12) **United States Design Patent** (10) **Patent No.:** **US D935,508 S**
Zhang et al. (45) **Date of Patent:** **** Nov. 9, 2021**

(54) **SURVEILLANCE CAMERA**
(71) Applicant: **BEIJING XIAOMI MOBILE SOFTWARE CO., LTD.**, Beijing (CN)

D785,693 S * 5/2017 Kim D16/214
D825,637 S * 8/2018 Moon D16/203
D866,633 S * 11/2019 Siminoff D16/203
D896,870 S * 9/2020 Li D16/203
D907,094 S * 1/2021 Gartrell D16/203
D912,121 S * 3/2021 Han D16/203

(72) Inventors: **Qian Zhang**, Beijing (CN); **Ningning Li**, Beijing (CN); **Lei Zhang**, Beijing (CN)

FOREIGN PATENT DOCUMENTS

(73) Assignee: **BEIJING XIAOMI MOBILE SOFTWARE CO., LTD.**, Beijing (CN)

CN 301348237 S 9/2010
CN 302044055 S 8/2012
CN 303217891 S 5/2015
CN 304020474 S 2/2017
CN 304280347 S 9/2017
CN 304887854 S 11/2018
CN 305054242 S 3/2019
GN 303151625 S 4/2015
GN 303378009 S 9/2015
KR 30-0804362 7/2015

(**) Term: **15 Years**

(21) Appl. No.: **35/509,725**

(22) Filed: **Mar. 9, 2020**

* cited by examiner

(80) **Hague Agreement Data**

Int. Filing Date: **Mar. 9, 2020**
Int. Reg. No.: **DM/208918**
Int. Reg. Date: **Mar. 9, 2020**
Int. Reg. Pub. Date: **Jul. 3, 2020**

Primary Examiner — Holly E Thurman
(74) *Attorney, Agent, or Firm* — Syncoda LLC; Feng Ma

(57) **CLAIM**

The ornamental design for a surveillance camera, as shown and described.

(30) **Foreign Application Priority Data**

Sep. 23, 2019 (CN) 201930522256.2

(51) **LOC (13) Cl.** **16-01**

(52) **U.S. Cl.**
USPC **D16/203**

(58) **Field of Classification Search**
USPC D16/200, 202–205, 208, 218, 219, 242
CPC G03B 17/02; G03B 17/04; G03B 17/56;
G03B 19/04; G03B 15/03
See application file for complete search history.

DESCRIPTION

- 1. Surveillance camera
- 1.1 : Front
- 1.2 : Back
- 1.3 : Left
- 1.4 : Right
- 1.5 : Top
- 1.6 : Bottom
- 1.7 : Perspective
- 1.8 : Perspective
- 1.9 : Reference view
- 1.10 : Reference view

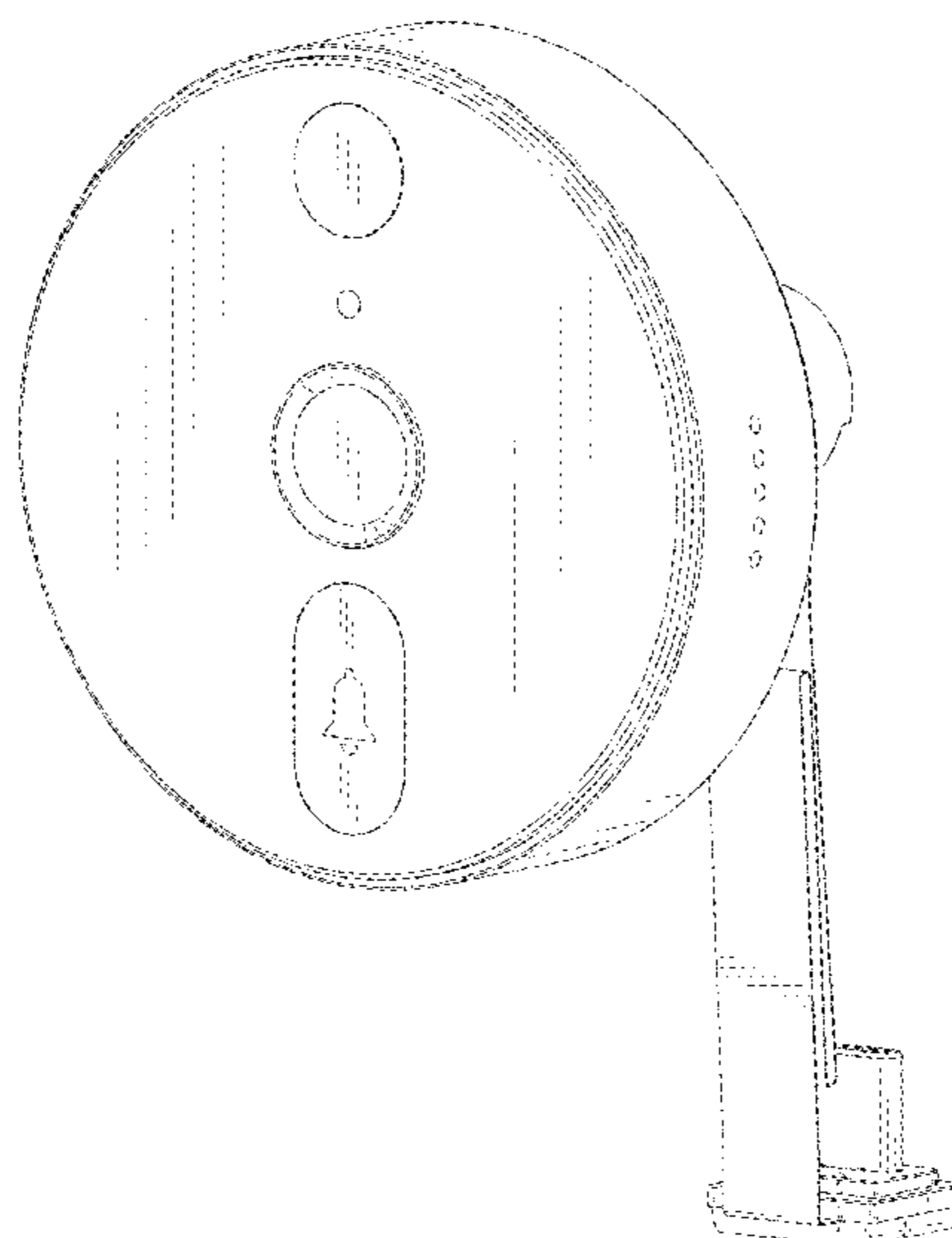
The broken lines in Figures 1.9 and 1.10 depict environment that forms NO part of the claimed design.

(56) **References Cited**

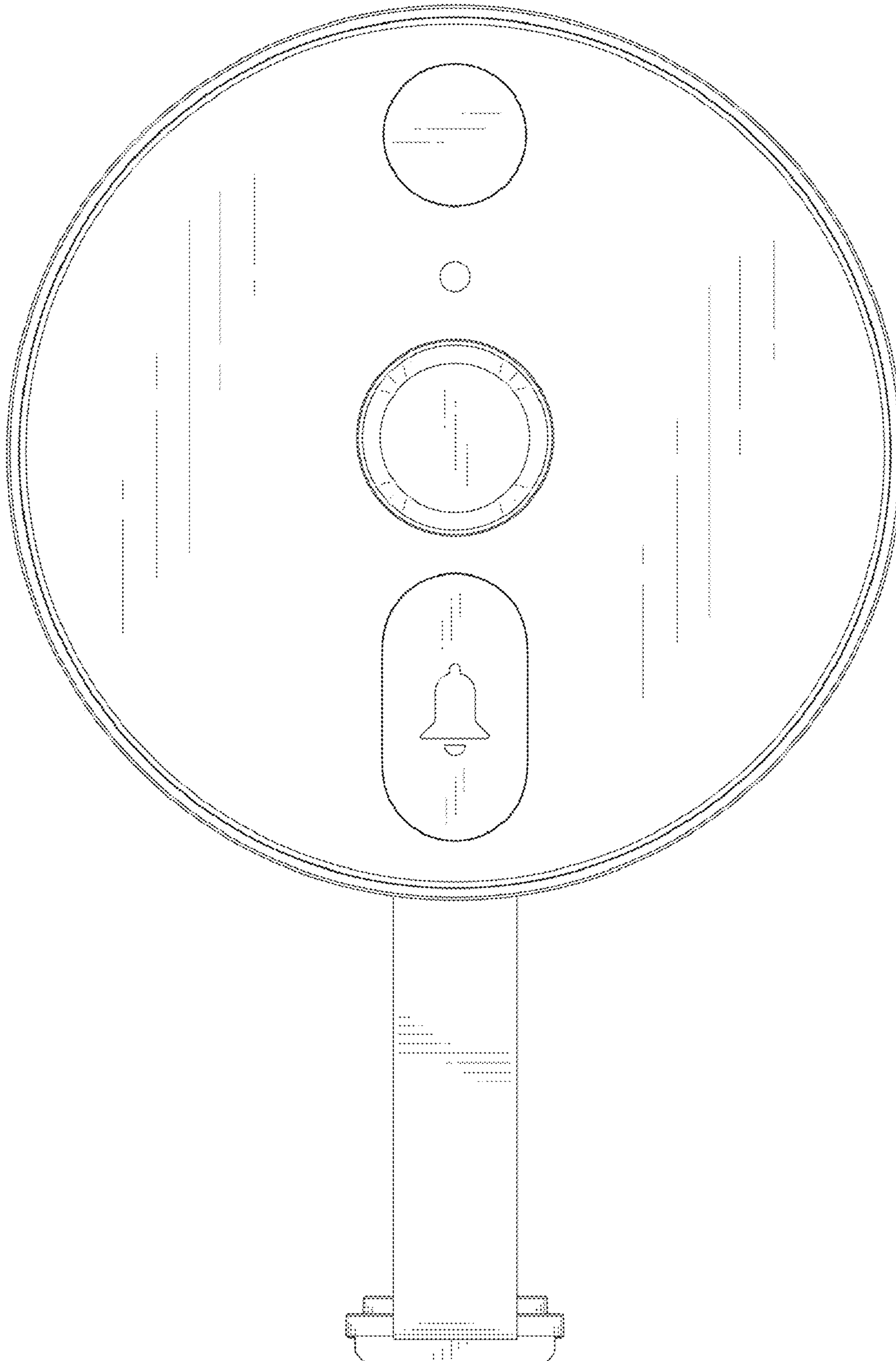
U.S. PATENT DOCUMENTS

D678,929 S * 3/2013 Hancock D16/203
D754,233 S * 4/2016 Du D16/211

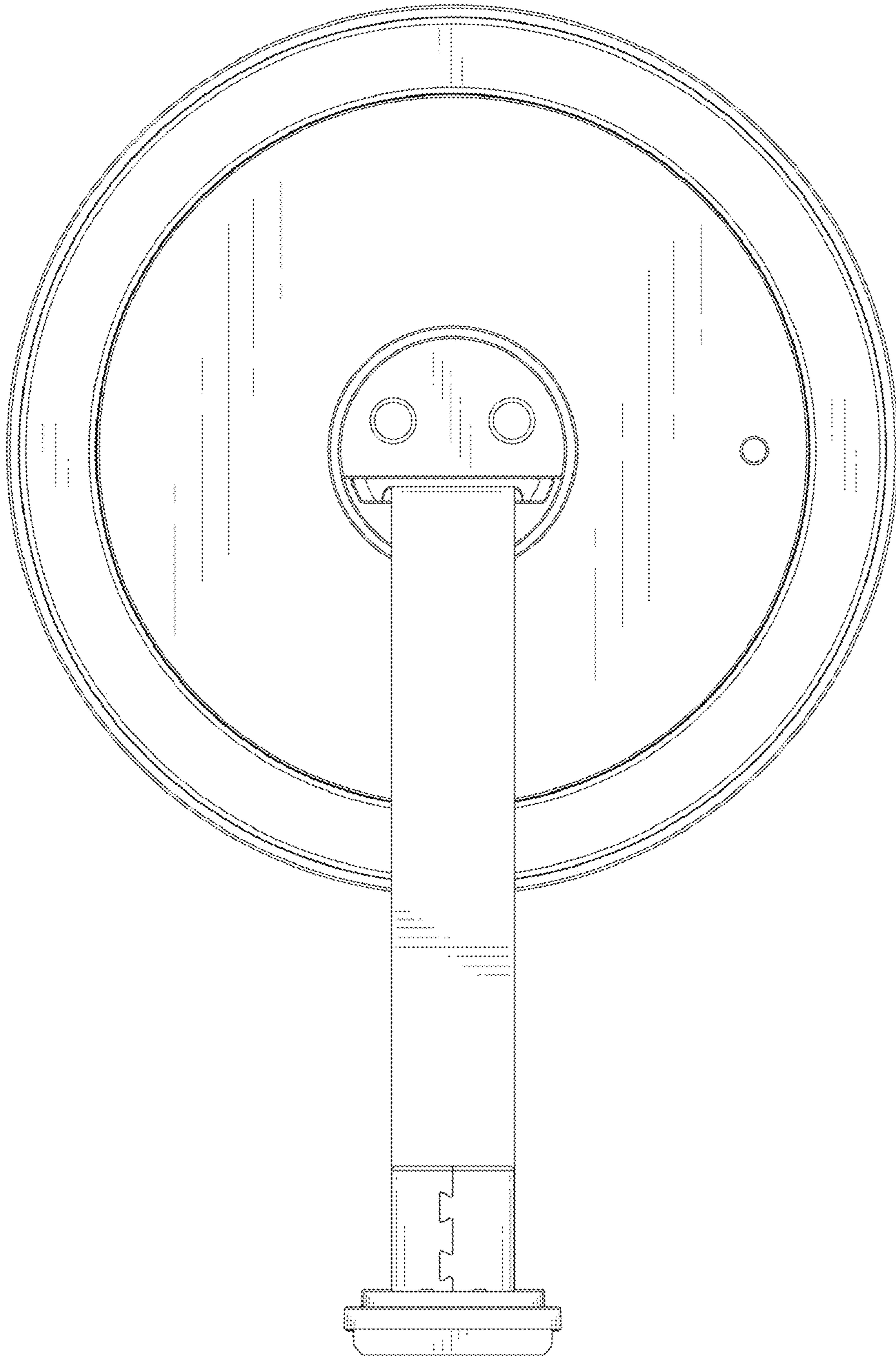
1 Claim, 10 Drawing Sheets



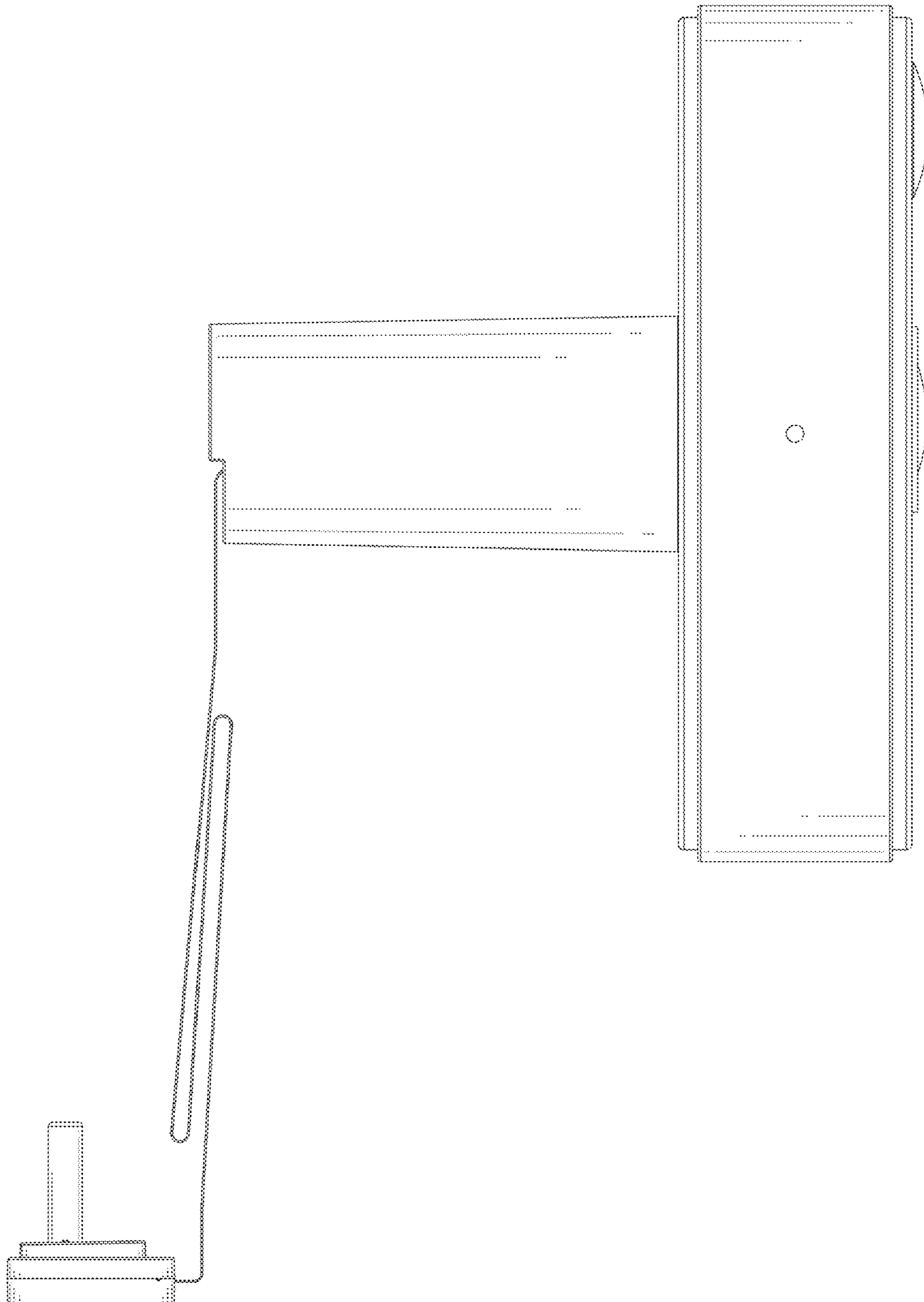
1.1



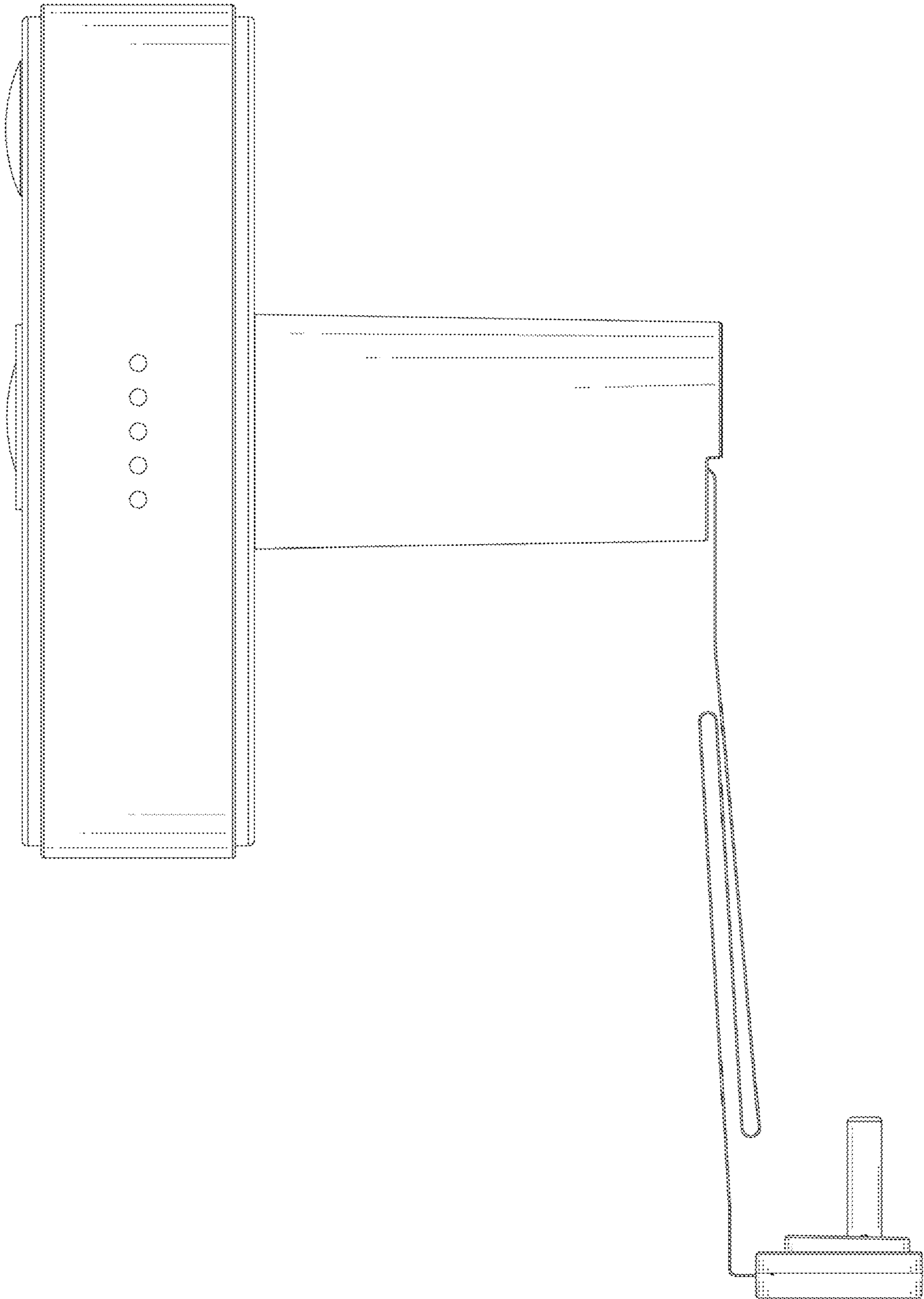
1.2



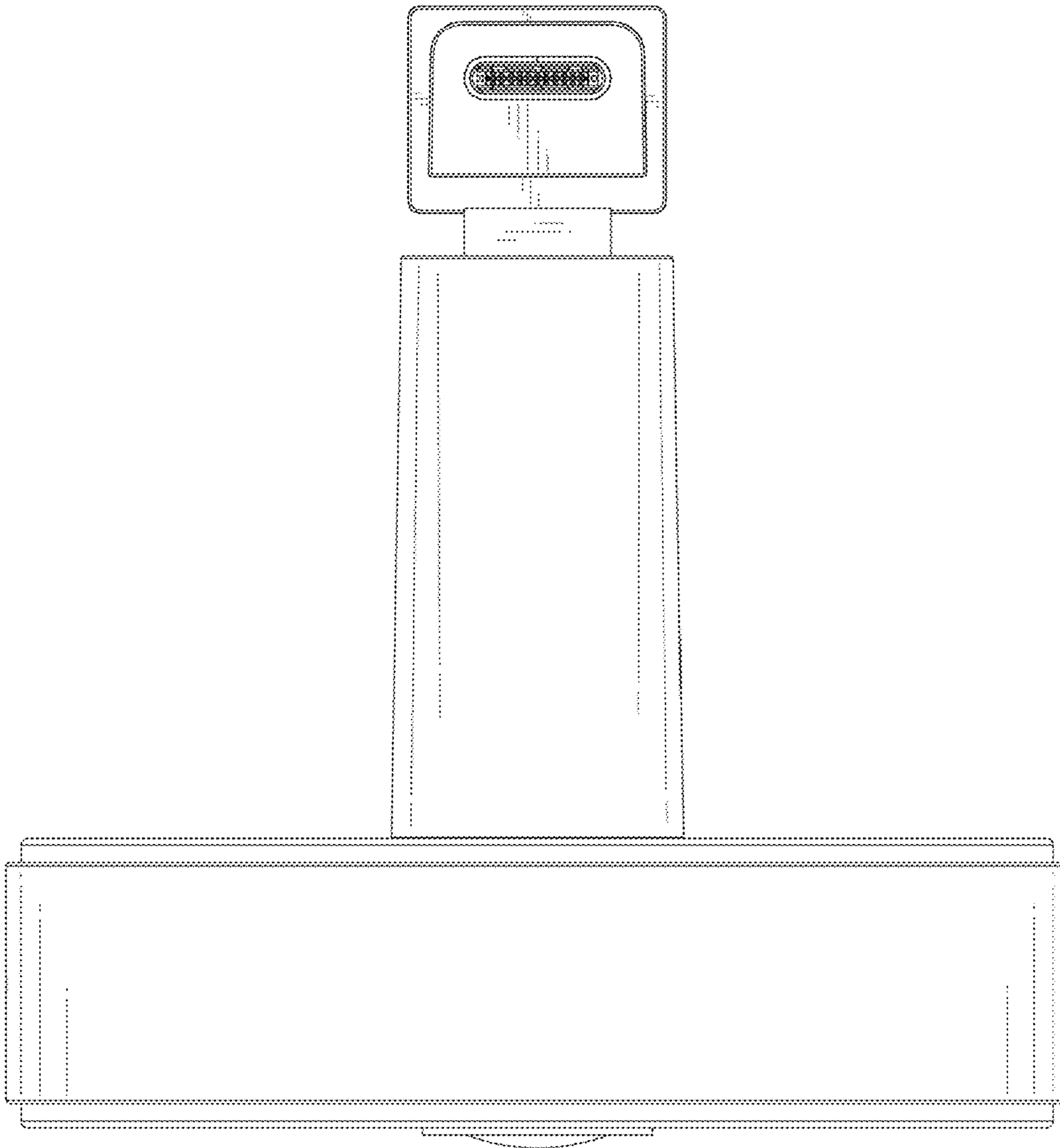
1.3



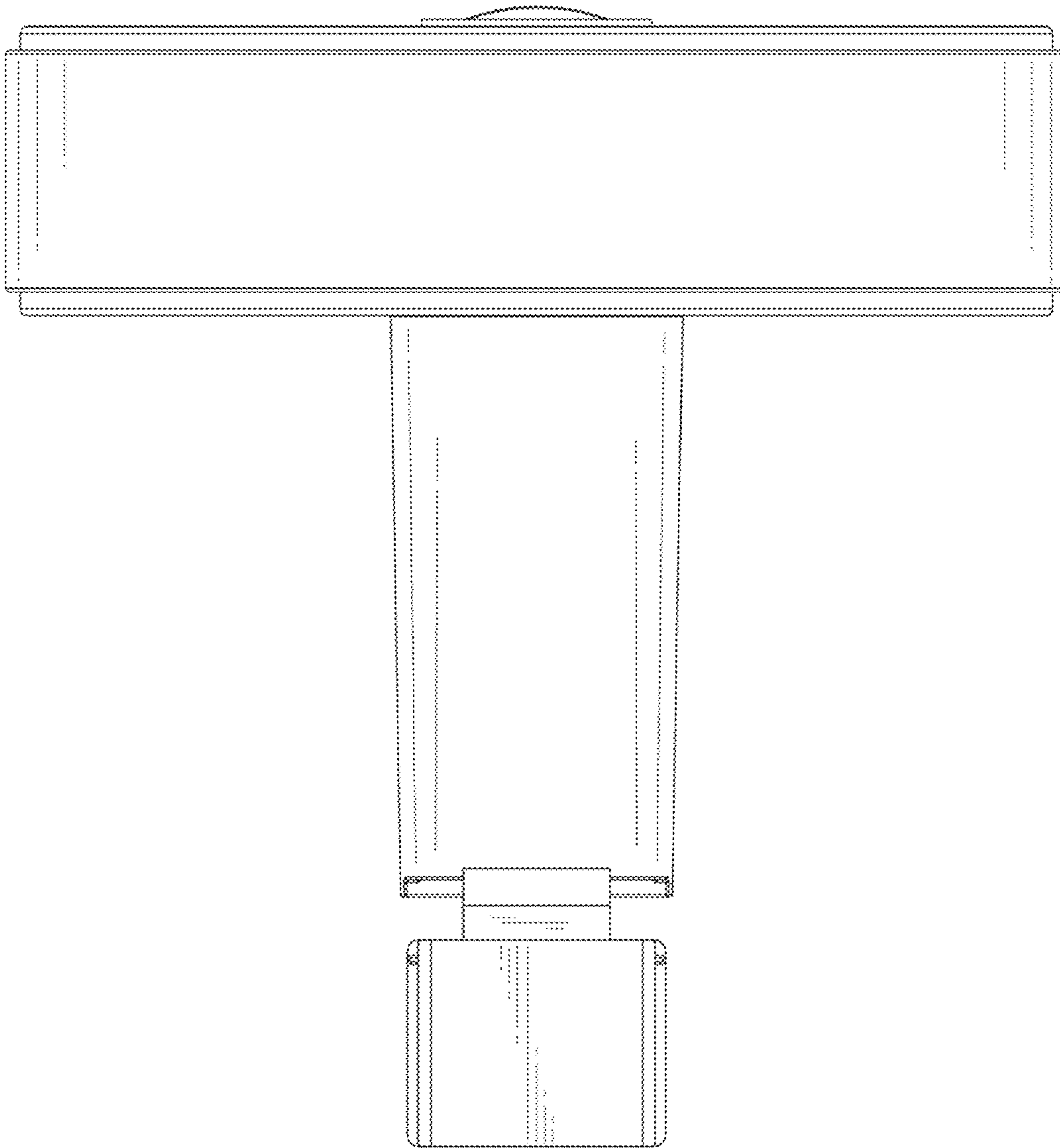
1.4



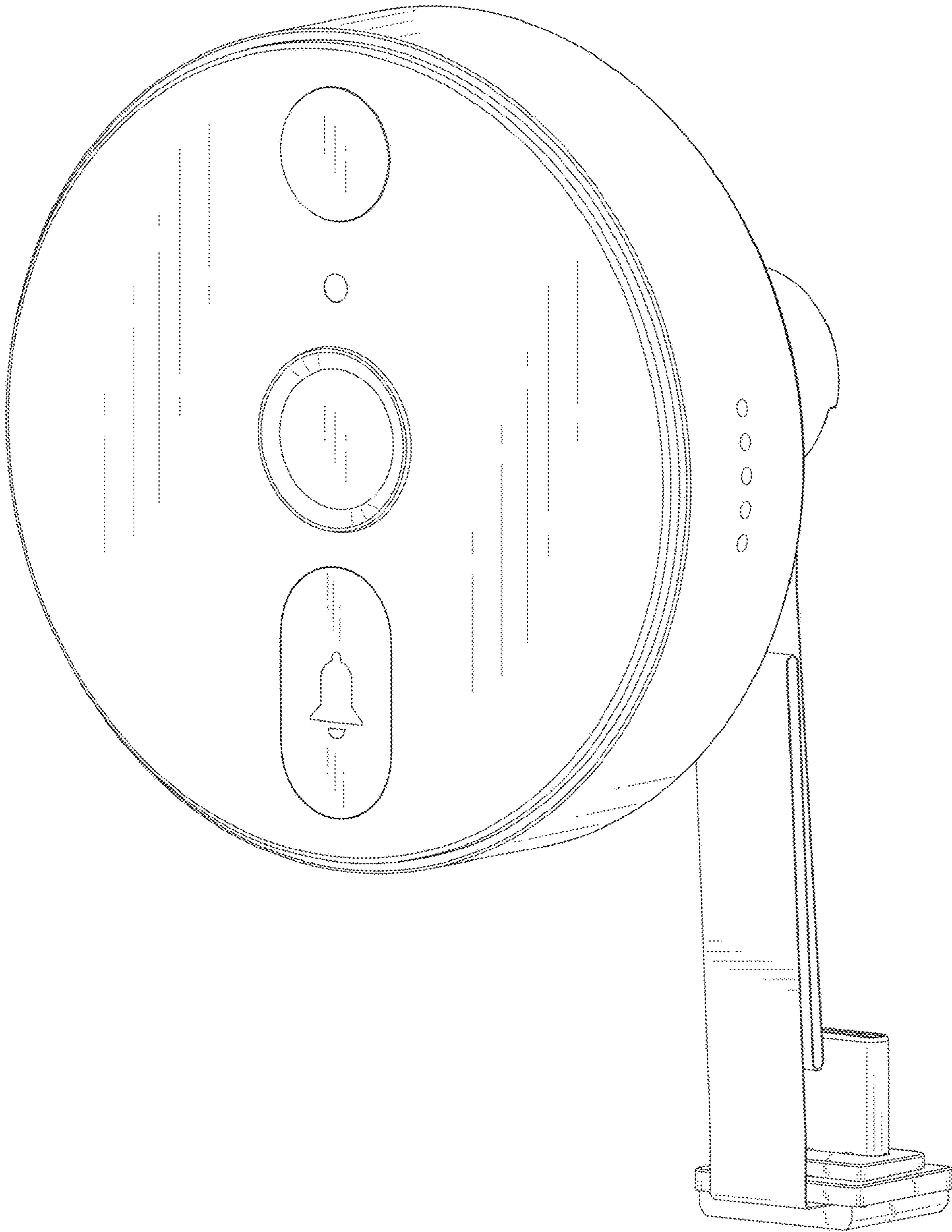
1.5



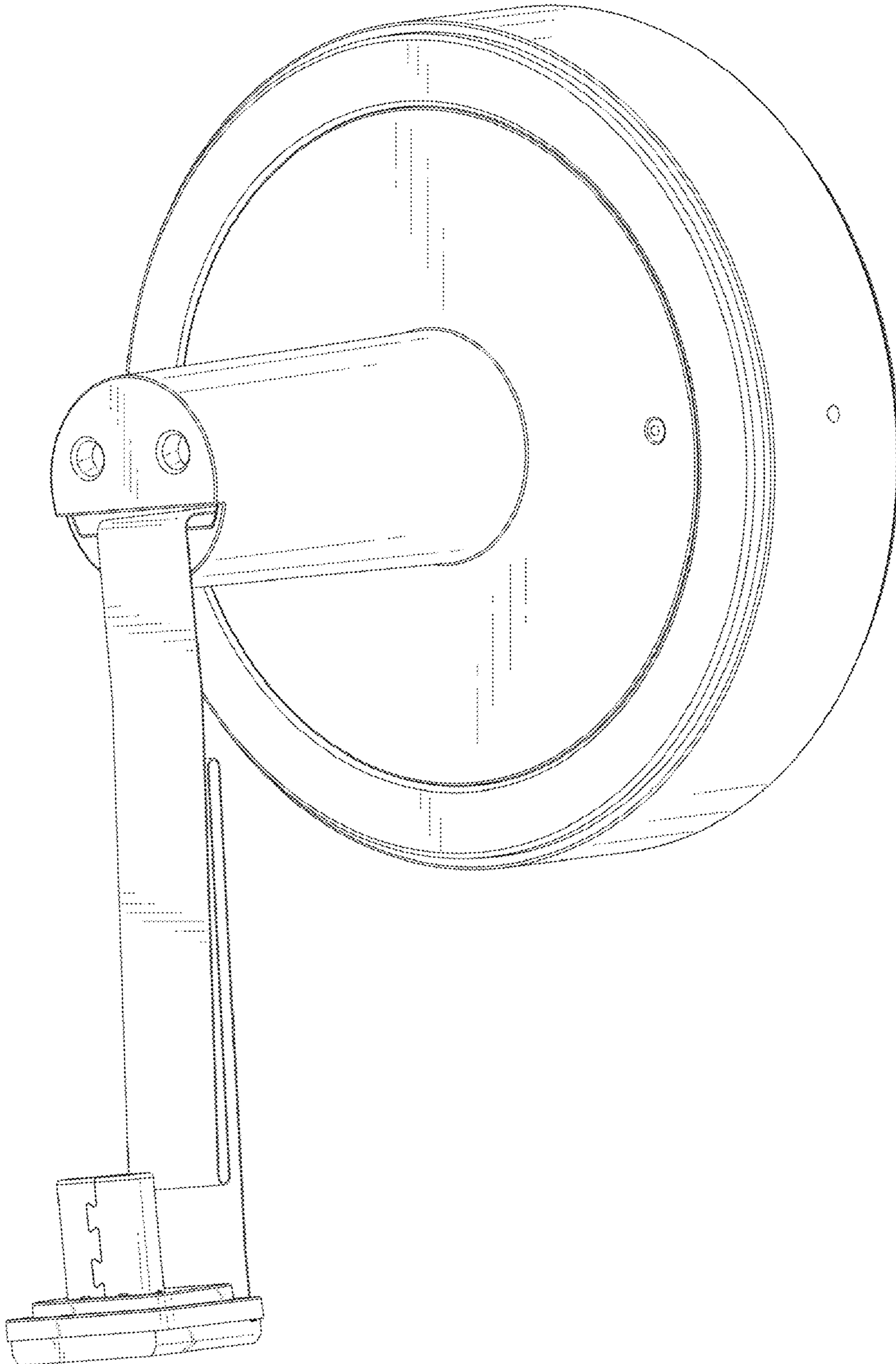
1.6



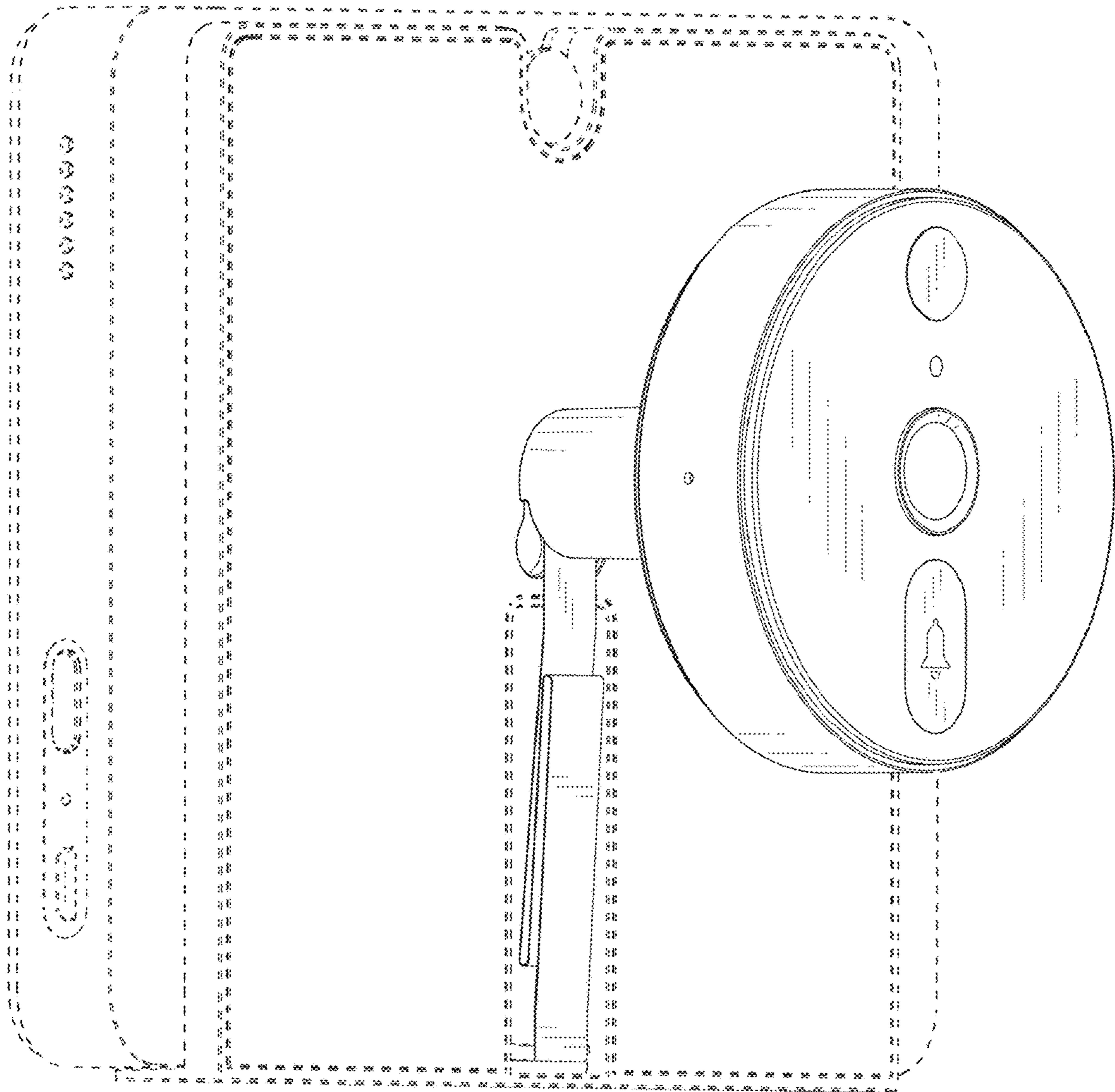
1.7



1.8



1.9



1.10

