



US00D935506S

(12) **United States Design Patent**
Tan

(10) **Patent No.:** **US D935,506 S**

(45) **Date of Patent:** **** *Nov. 9, 2021**

(54) **HOUSING FOR CAMERA**

(71) Applicant: **Shenzhen Xunshan Technology Co., Ltd, Guangdong (CN)**

(72) Inventor: **Lin Zhuang Tan, Guangdong (CN)**

(*) Notice: This patent is subject to a terminal disclaimer.

(**) Term: **15 Years**

(21) Appl. No.: **29/735,973**

(22) Filed: **May 27, 2020**

(51) **LOC (13) Cl.** **16-01**

(52) **U.S. Cl.**
USPC **D16/200**

(58) **Field of Classification Search**
USPC D16/200, 202-204, 208, 211, 218, 219, D16/237, 242; D3/263, 267, 268; 248/176.1, 187.1; 348/81, 360, 373-376, 348/835; 396/25, 27-29, 419, 535, 396/539-541
CPC G03B 15/03; G03B 17/02; G03B 17/04; G03B 17/08; G03B 17/56; G03B 19/04; H04N 5/2251; H04N 5/2252; H04N 5/2253; H04N 5/2254; A45C 11/38
See application file for complete search history.

(56) **References Cited**

U.S. PATENT DOCUMENTS

D646,313 S	*	10/2011	Woodman	D16/200
D702,747 S	*	4/2014	Woodman	D16/200
D710,922 S	*	8/2014	Gioscia	D16/200
D725,169 S	*	3/2015	Gioscia	D16/200
D735,790 S	*	8/2015	Gioscia	D16/219
D740,876 S	*	10/2015	Woodman	D16/219

D750,146 S	*	2/2016	Costa	D16/200
D750,680 S	*	3/2016	Chen	D16/200
D776,741 S	*	1/2017	Parfitt	D16/204
D778,335 S	*	2/2017	Gioscia	D16/200
D785,697 S	*	5/2017	Costa	D16/242
D800,818 S	*	10/2017	Woodman	D16/219
D800,819 S	*	10/2017	Parfitt	D16/219
D804,560 S	*	12/2017	Costa	D16/200
D808,163 S	*	1/2018	Song	D3/269
10,101,637 B2	*	10/2018	Peddecord	H04N 5/2252
D837,861 S	*	1/2019	Luo	D16/200
D856,391 S		8/2019	Liu		
D868,131 S	*	11/2019	Hu	D16/200
D869,539 S	*	12/2019	Hu	D16/200
D888,792 S	*	6/2020	Luo	D16/200

* cited by examiner

Primary Examiner — Ramzi Almatrahi

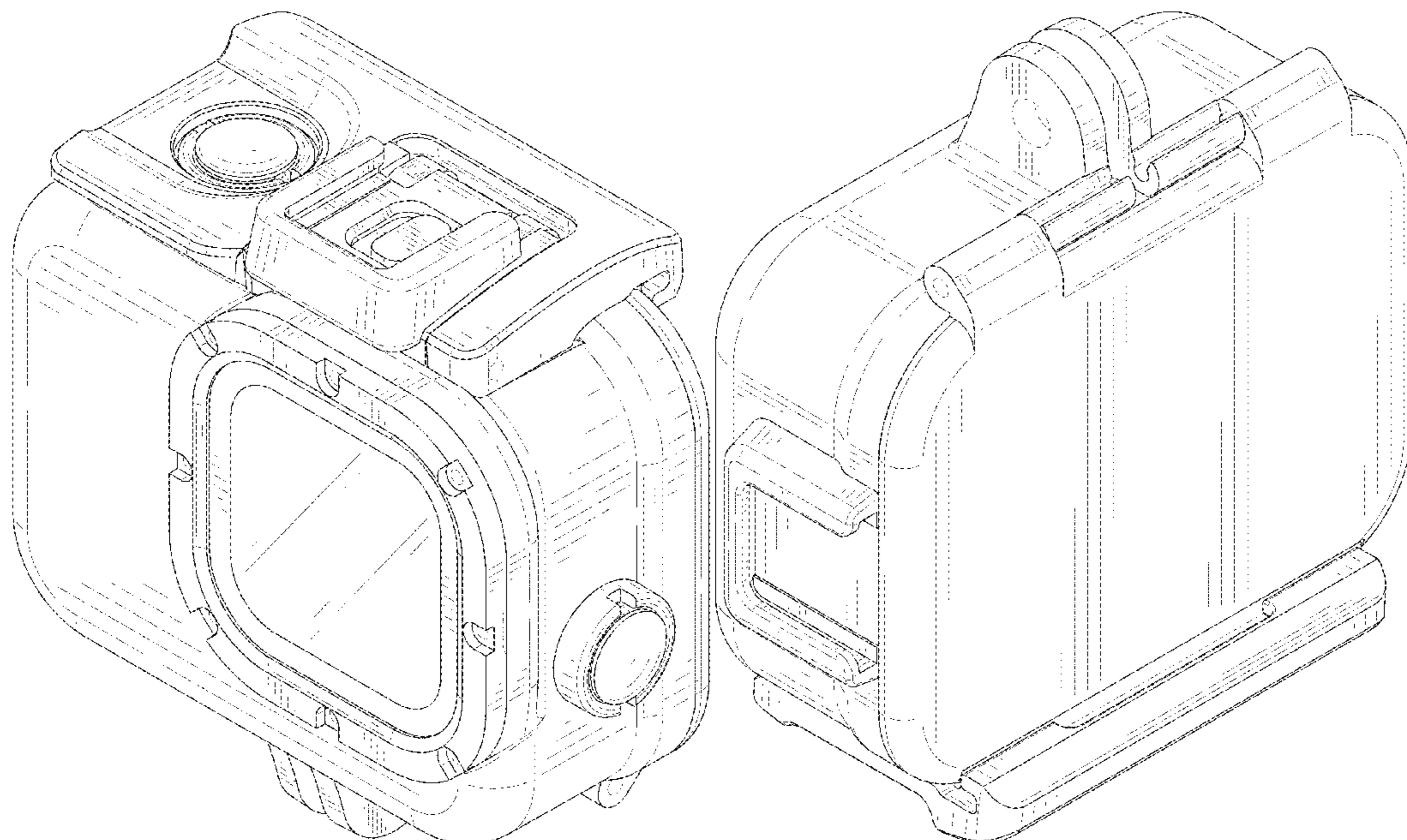
(57) **CLAIM**

The ornamental design for a housing for camera, as shown and described.

DESCRIPTION

FIG. 1 is a front and top perspective view of a housing for camera, showing my new design;
FIG. 2 is a rear and bottom perspective view thereof;
FIG. 3 is a front elevational view thereof;
FIG. 4 is a rear elevational view thereof;
FIG. 5 is a left side elevational view thereof;
FIG. 6 is a right side elevational view thereof;
FIG. 7 is a top plan view thereof;
FIG. 8 is a bottom plan view thereof; and,
FIG. 9 is a rear and top perspective view thereof, shown with the housing for camera in an open configuration.
The broken lines depict portions of the housing for camera in which the design is embodied that form no part of the claimed design.

1 Claim, 9 Drawing Sheets



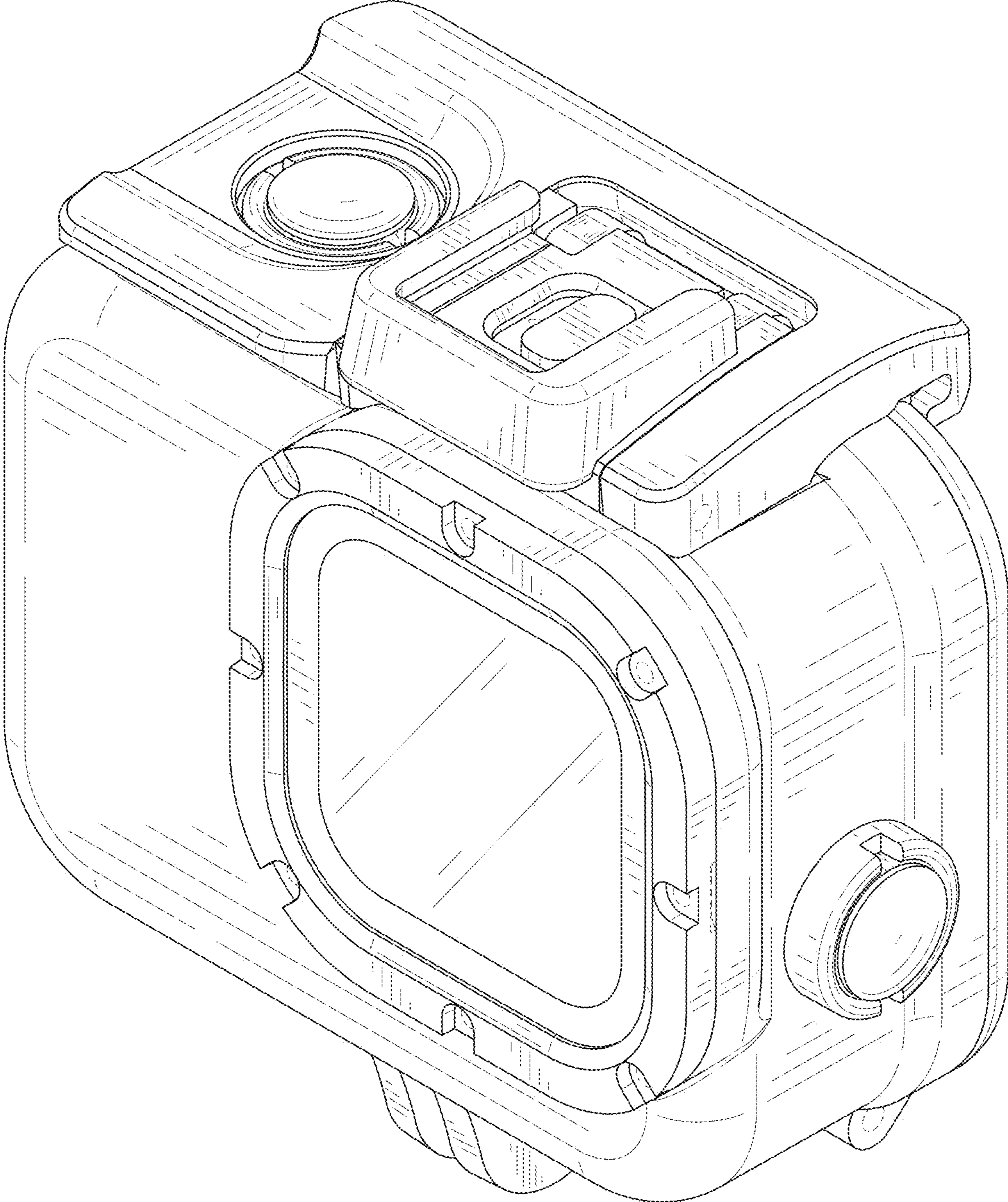


FIG. 1

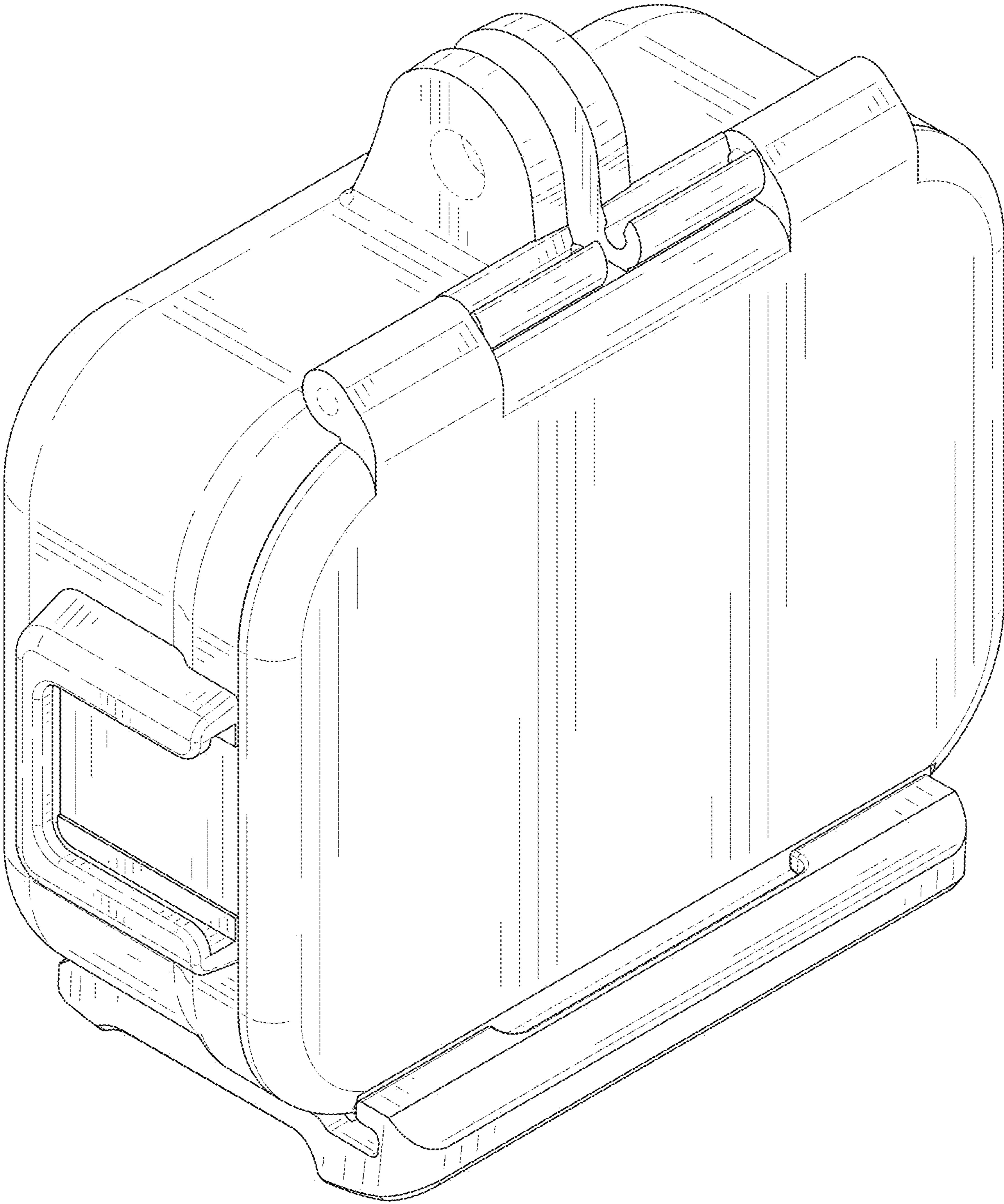


FIG. 2

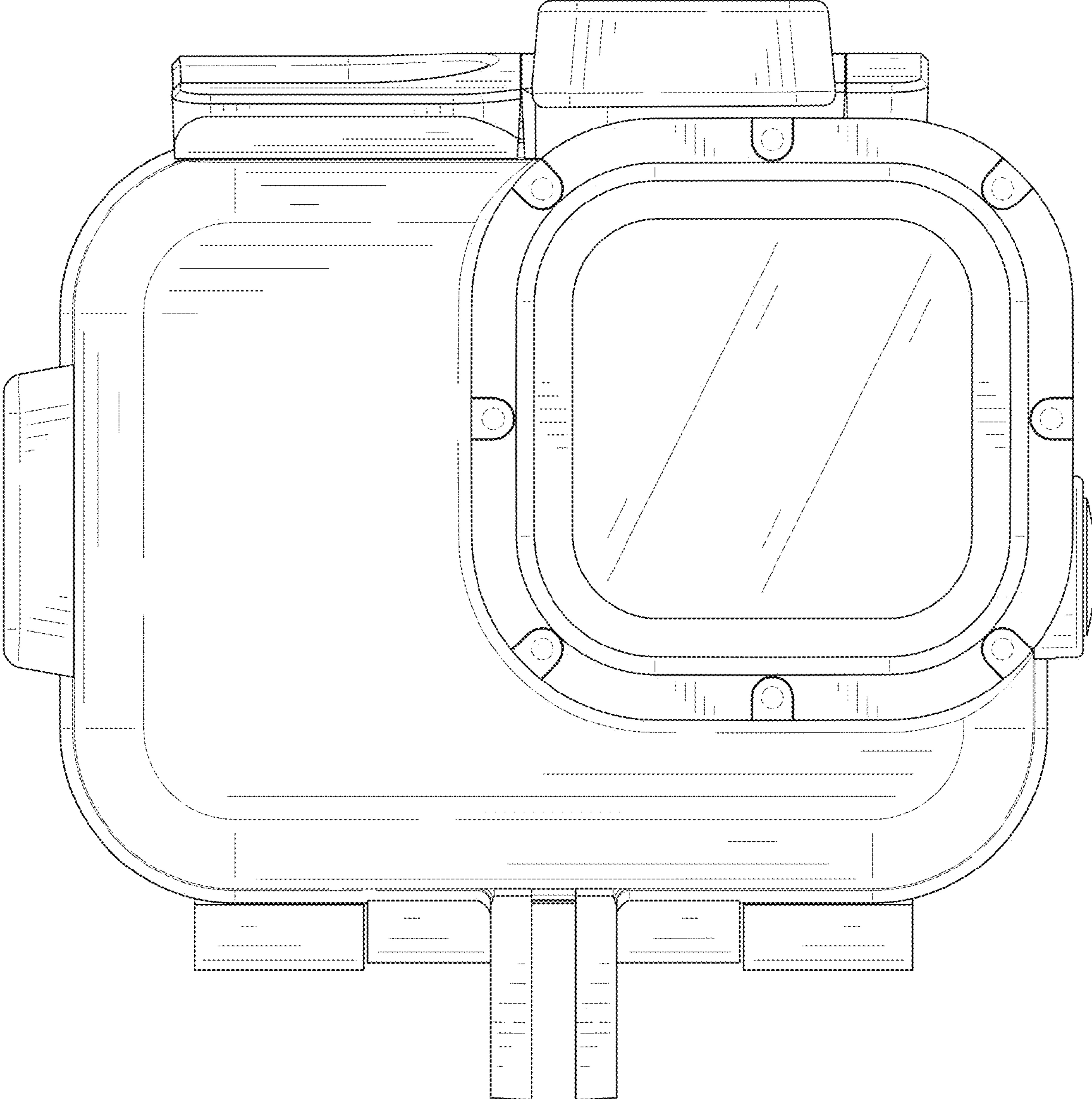


FIG. 3

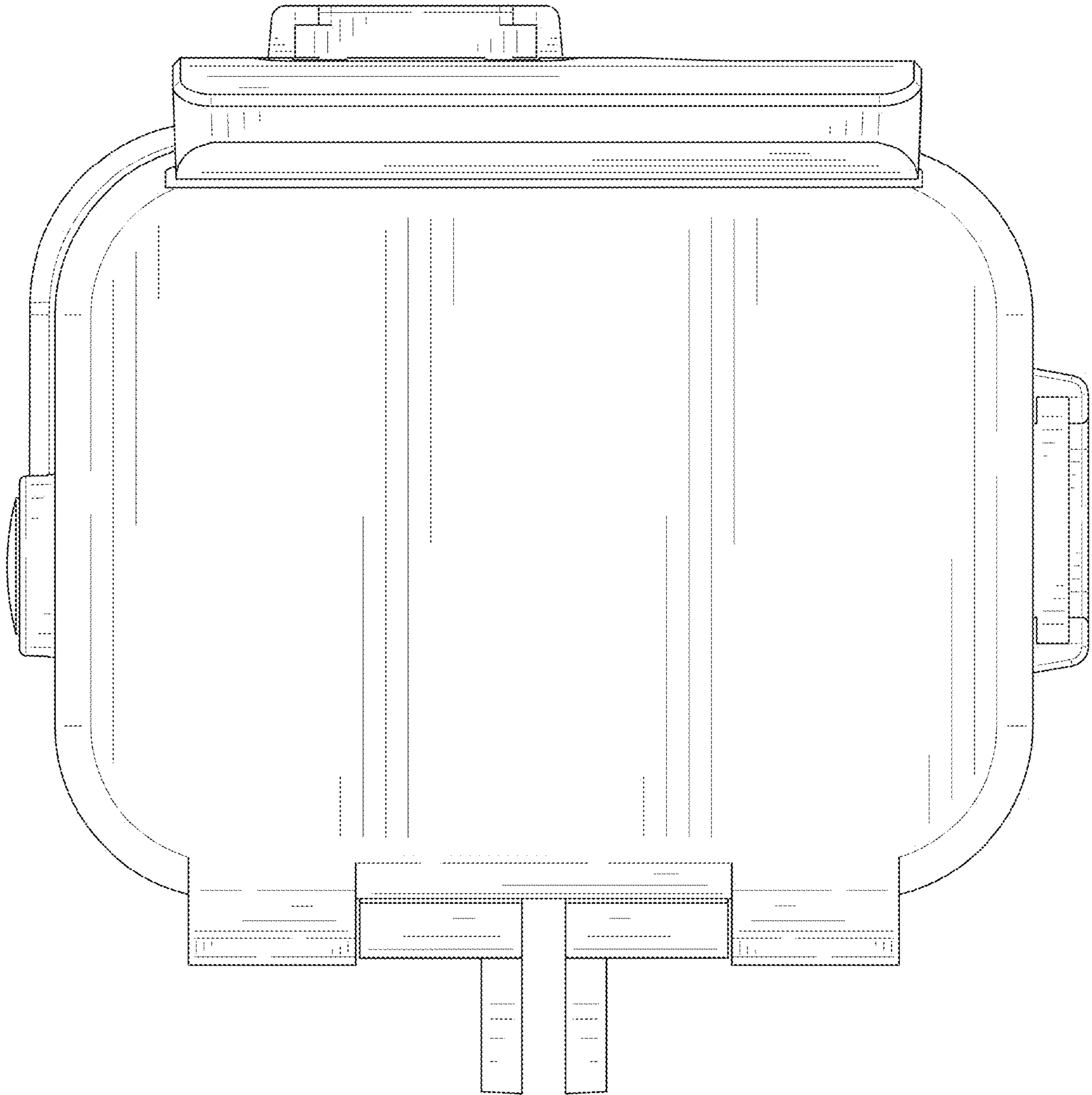


FIG. 4

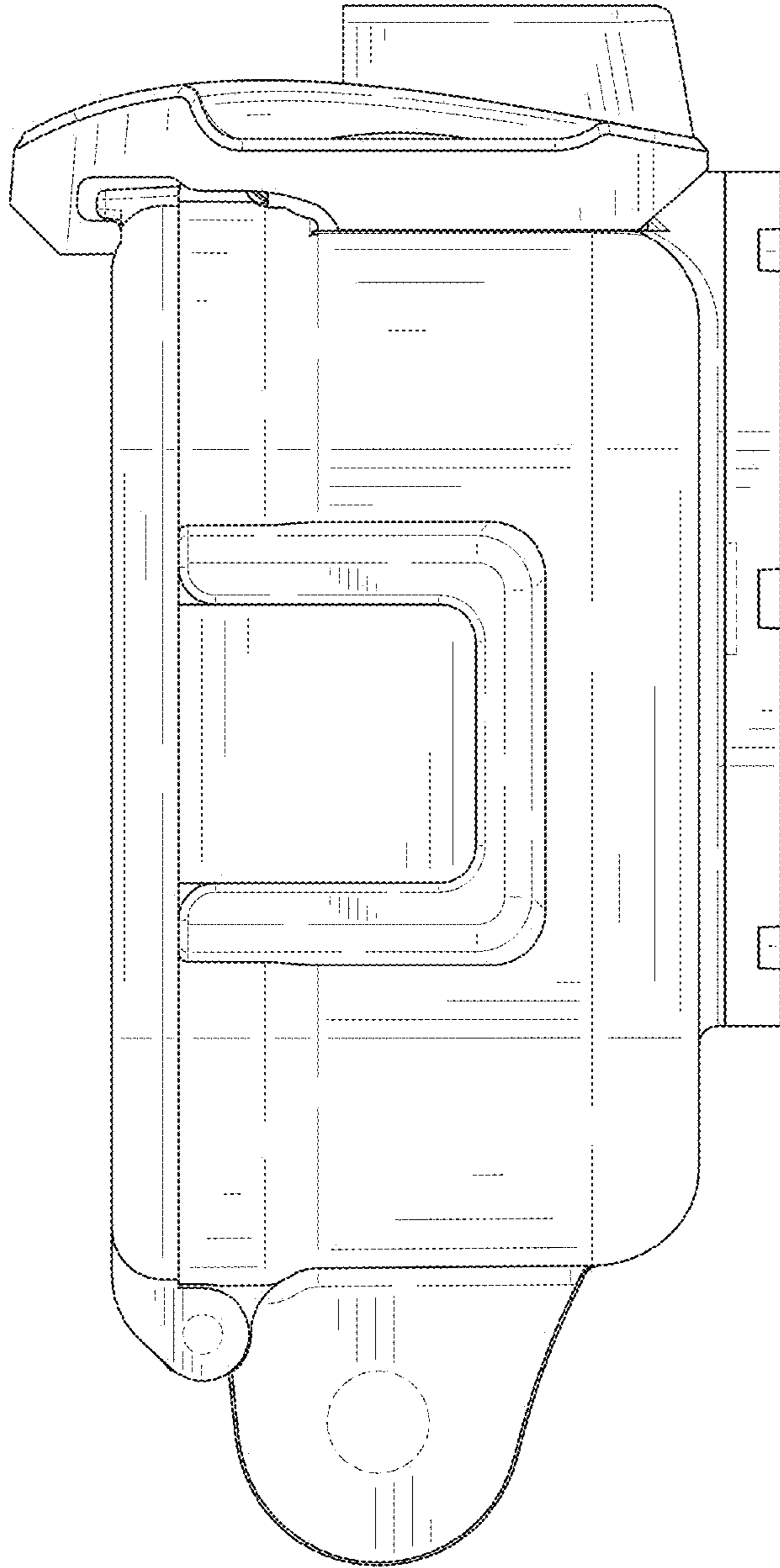


FIG. 5

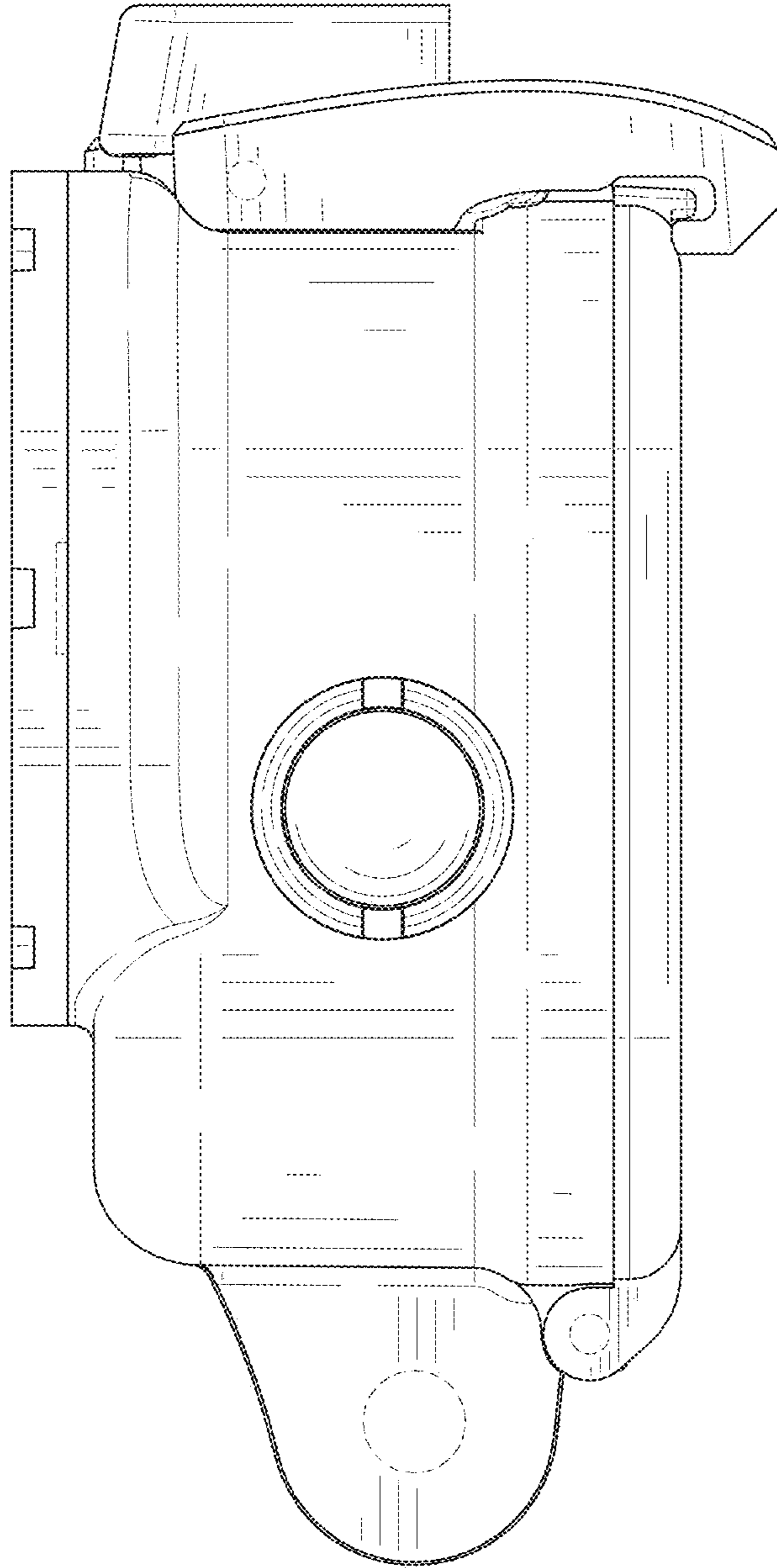


FIG. 6

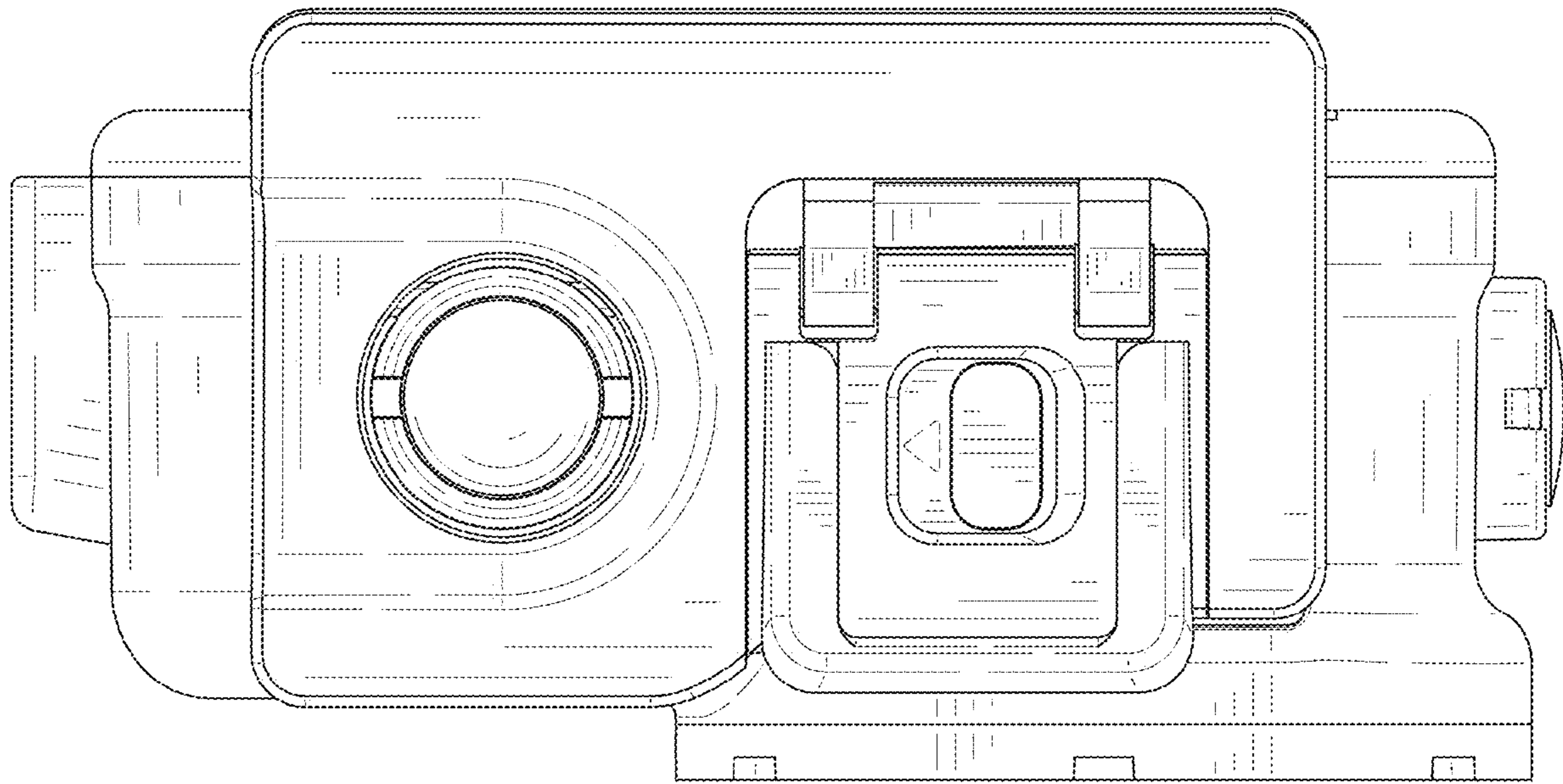


FIG. 7

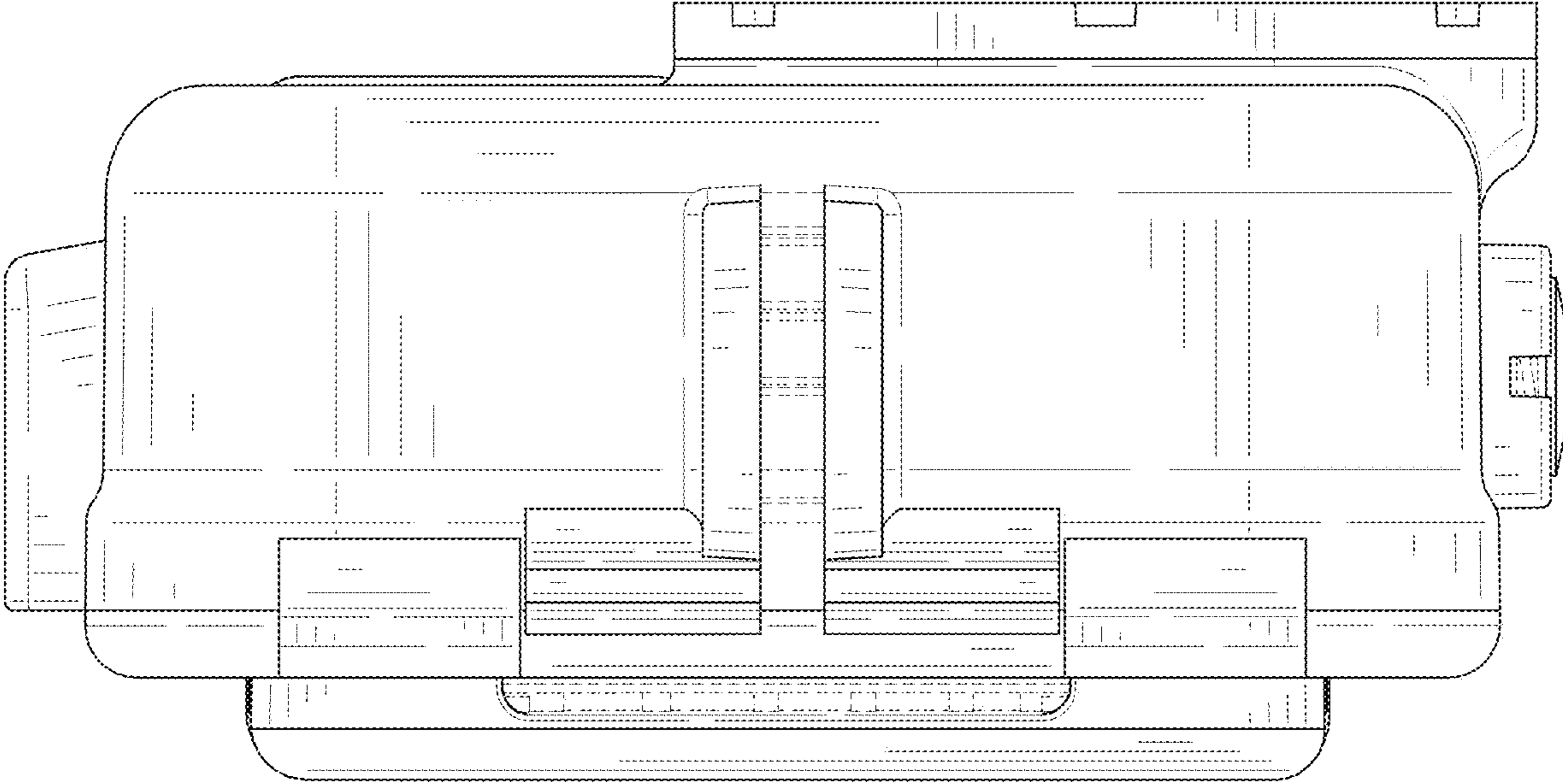


FIG. 8

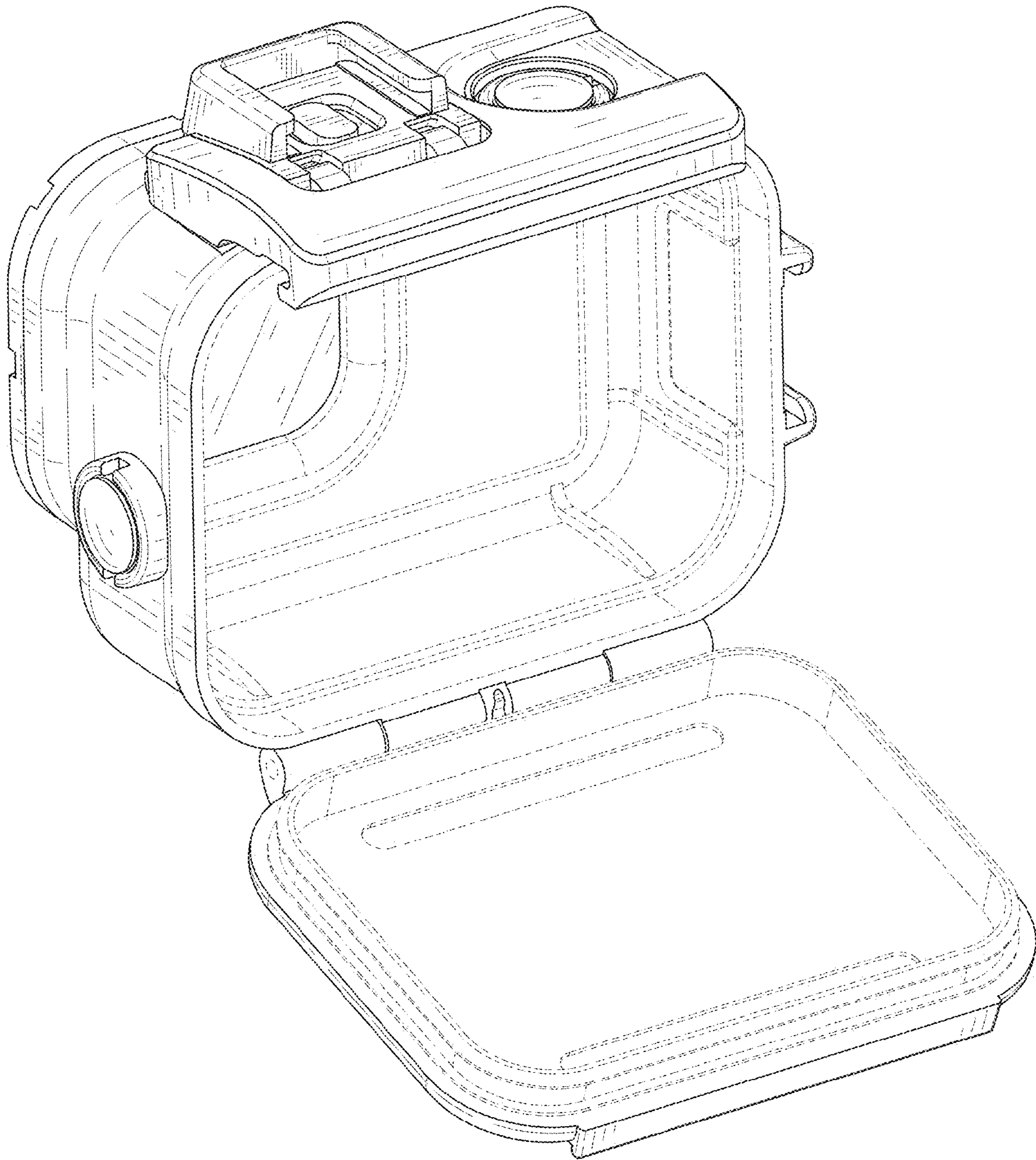


FIG. 9