



US00D935504S

(12) **United States Design Patent** (10) **Patent No.:** **US D935,504 S**
Takagi et al. (45) **Date of Patent:** **** Nov. 9, 2021**

(54) **TAIL OF A ROBOT**

(71) Applicant: **SONY CORPORATION**, Tokyo (JP)

(72) Inventors: **Noriaki Takagi**, Kanagawa (JP);
Hidenori Ishibashi, Tokyo (JP); **Yohei Watanabe**, Aichi (JP); **Takayuki Ito**, Kanagawa (JP)

(73) Assignee: **SONY CORPORATION**, Tokyo (JP)

(**) Term: **15 Years**

(21) Appl. No.: **29/765,020**

(22) Filed: **Jan. 5, 2021**

Related U.S. Application Data

(63) Continuation of application No. 29/645,961, filed on Apr. 30, 2018, now Pat. No. Des. 916,160.

(30) **Foreign Application Priority Data**

- Oct. 31, 2017 (JP) D2017-024344
- Oct. 31, 2017 (JP) D2017-024345
- Oct. 31, 2017 (JP) D2017-024346
- Oct. 31, 2017 (JP) D2017-024347
- Oct. 31, 2017 (JP) D2017-024348
- Oct. 31, 2017 (JP) D2017-024349
- Oct. 31, 2017 (JP) D2017-024350
- Oct. 31, 2017 (JP) D2017-024351

(Continued)

(51) **LOC (13) Cl.** **15-99**

(52) **U.S. Cl.**
USPC **D15/199**

(58) **Field of Classification Search**
USPC D15/199; D21/578-583, 621, 622
(Continued)

(56) **References Cited**
U.S. PATENT DOCUMENTS

D418,551 S 1/2000 Kageyama et al.
D421,634 S 3/2000 Kageyama et al.
(Continued)

FOREIGN PATENT DOCUMENTS

CN 204798852 U 11/2015
CN 206391563 U 8/2017
(Continued)

OTHER PUBLICATIONS

Toys R Us, Website, https://www.toysrus.com/product/prodpop.jst?LargeimageURL=/graphics/product_images/pTRU1-23515993enh-z6.jpg&displayTab=enh&productId=86171886&totCount=0, published Feb. 16, 2016, HJ27061587.

(Continued)

Primary Examiner — Patricia A Palasik

(74) *Attorney, Agent, or Firm* — Michael Best and Friedrich LLP

(57) **CLAIM**

The ornamental design for a tail of a robot, as shown and described.

DESCRIPTION

FIG. 1 is a front, top, right perspective view of a tail of a robot showing our new design;
FIG. 2 is a front, bottom, left perspective view thereof;
FIG. 3 is a rear, top, left perspective view thereof;
FIG. 4 is a rear, bottom, right perspective view thereof;
FIG. 5 is a front elevational view thereof;
FIG. 6 is a rear elevational view thereof;
FIG. 7 is a left side elevational view thereof, a right side elevational view thereof being a mirror image;

(Continued)

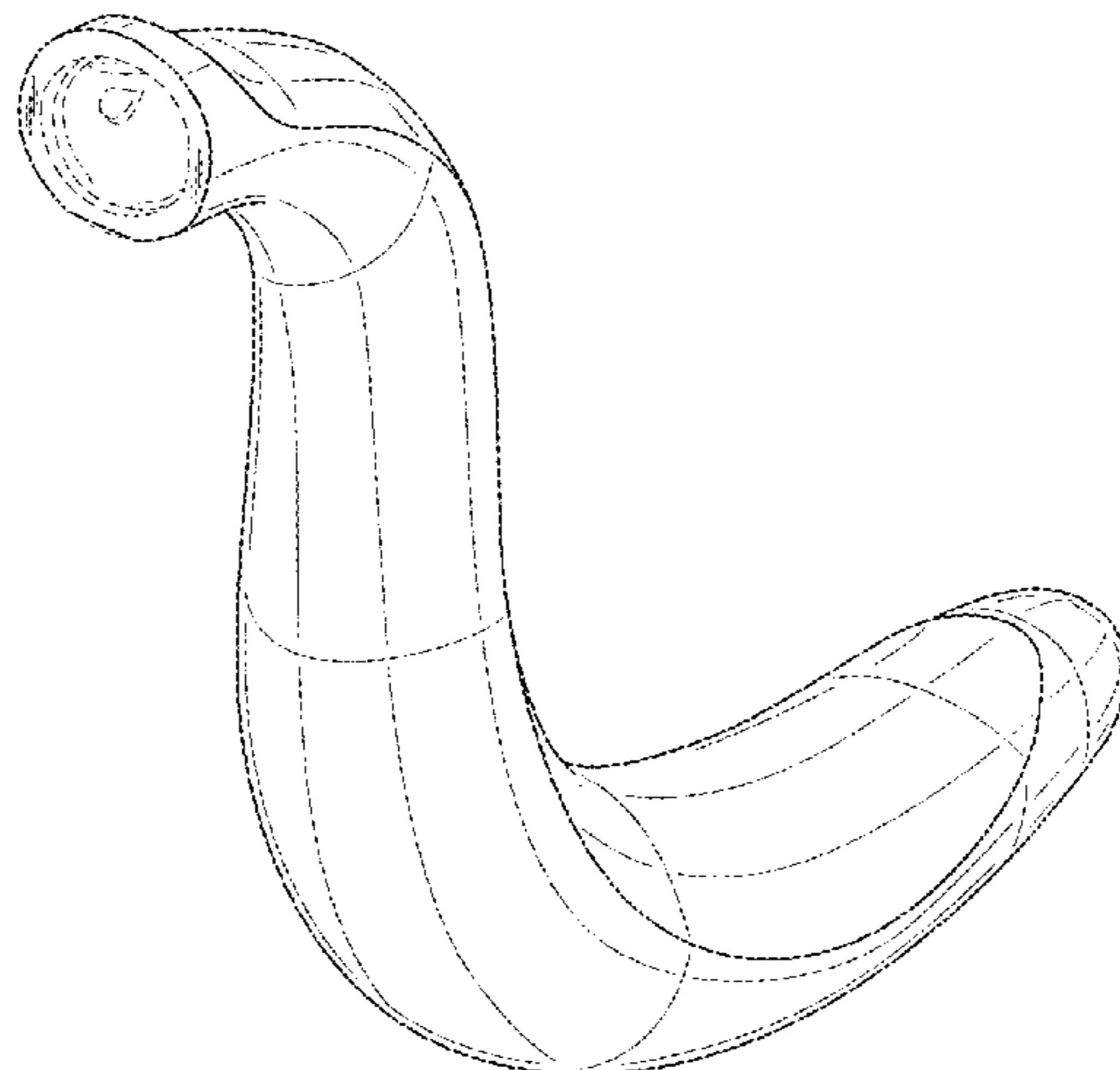


FIG. 8 is a top plan view thereof; and,
 FIG. 9 is a bottom plan view thereof.
 The broken lines depict portions of the tail of a robot that
 form no part of the claimed design.

1 Claim, 9 Drawing Sheets

(30) **Foreign Application Priority Data**

Oct. 31, 2017	(JP)	D2017-024352
Dec. 29, 2017	(CN)	201730683664.7
Jan. 4, 2018	(JP)	D2018-000008
Mar. 28, 2018	(JP)	D2018-006711
Mar. 28, 2018	(JP)	D2018-006712
Mar. 28, 2018	(JP)	D2018-006713
Mar. 28, 2018	(JP)	D2018-006714
Mar. 28, 2018	(JP)	D2018-006715
Mar. 28, 2018	(JP)	D2018-006716
Mar. 28, 2018	(JP)	D2018-006717
Mar. 28, 2018	(JP)	D2018-006718
Mar. 28, 2018	(JP)	D2018-006719
Mar. 28, 2018	(JP)	D2018-006720
Mar. 28, 2018	(JP)	D2018-006721
Apr. 21, 2018	(JP)	D2018-008811
Apr. 21, 2018	(JP)	D2018-008812
Apr. 21, 2018	(JP)	D2018-008813
Apr. 24, 2018	(JP)	D2018-009055
Apr. 24, 2018	(JP)	D2018-009056

(58) **Field of Classification Search**

CPC A63H 3/48; A63H 11/20; A63H 30/04;
 A63H 2200/00

See application file for complete search history.

(56) **References Cited**

U.S. PATENT DOCUMENTS

D431,270	S	9/2000	Kawakita et al.
D445,849	S	7/2001	Saito
D448,433	S	9/2001	Ueda et al.
D452,889	S	1/2002	Kawakita et al.
D454,378	S *	3/2002	Hornsby D21/578
6,362,589	B1	3/2002	Inoue et al.
D457,203	S *	5/2002	Onishi D21/578
D457,205	S	5/2002	Hornsby et al.
6,462,498	B1 *	10/2002	Filo B62D 57/022 318/568.11
D467,289	S	12/2002	Kawakita et al.
D467,630	S *	12/2002	Kawakita D21/578
D467,983	S *	12/2002	Yamazaki D21/585
D468,374	S *	1/2003	So D21/578
D468,375	S	1/2003	So
6,615,109	B1 *	9/2003	Matsuoka G06K 17/00 700/223
6,620,024	B2 *	9/2003	Choi A63H 11/00 318/568.2
6,668,211	B1	12/2003	Fujita et al.
6,705,917	B2 *	3/2004	Filo A63H 11/20 180/8.1

D511,188	S	11/2005	Takeda et al.
D566,794	S *	4/2008	Judkins D21/576
D566,795	S *	4/2008	Judkins D21/578
D572,319	S *	7/2008	Yuen D21/584
D667,510	S *	9/2012	Hayakawa D21/578
10,163,175	B2 *	12/2018	Stephenson G16H 40/67
D848,549	S *	5/2019	Cummings D21/611
D848,550	S	5/2019	Cummings et al.
D848,552	S *	5/2019	Cummings D21/620
2001/0020837	A1 *	9/2001	Yamashita G06K 9/00335 318/567
2001/0029147	A1 *	10/2001	Hornsby A63H 11/20 446/356
2002/0024312	A1	2/2002	Takagi
2002/0089297	A1 *	7/2002	Filo B62D 57/022 318/568.12
2002/0111113	A1 *	8/2002	Filo A63H 11/20 446/355
2002/0183895	A1 *	12/2002	Kaplan A63H 11/00 700/245
2002/0183896	A1	12/2002	Ogure et al.
2003/0019671	A1 *	1/2003	Inoue A63H 11/00 180/8.1
2004/0153211	A1	8/2004	Komoto et al.
2006/0003216	A1 *	1/2006	Tanaka H01M 8/04186 429/434
2007/0159779	A1 *	7/2007	Chang G06F 1/182 361/679.22
2007/0213872	A1 *	9/2007	Matsuzaki G06N 3/008 700/245
2012/0315821	A1 *	12/2012	Hayakawa A63H 3/28 446/297
2020/0269421	A1 *	8/2020	Koyama G06F 3/16
2020/0406482	A1 *	12/2020	Miyazaki A63H 11/00

FOREIGN PATENT DOCUMENTS

JP	D1114066	S	7/2001
JP	D1114067	S	7/2001
JP	D1114069	S	7/2001
JP	D1142021	S	5/2002
JP	D1142022	S	5/2002
JP	D1142023	S	5/2002
JP	D1142024	S	5/2002
JP	D1142025	S	5/2002
JP	D1144578	S	6/2002
JP	D1146802	S	7/2002
JP	D1158291	S	11/2002
JP	D1158293	S	11/2002
JP	D1158295	S	11/2002
JP	D1158296	S	11/2002
JP	D1163694	S	1/2003
JP	D1302539	S	6/2007
JP	D1302540	S	6/2007
JP	D1302541	S	6/2007
JP	D1611963	S	8/2018
JP	D1611967	S	8/2018
JP	D1661727	S	6/2020

OTHER PUBLICATIONS

Office Action issued in Japanese Patent Application No. D2018-006721, dated Aug. 24, 2018.

* cited by examiner

FIG.1

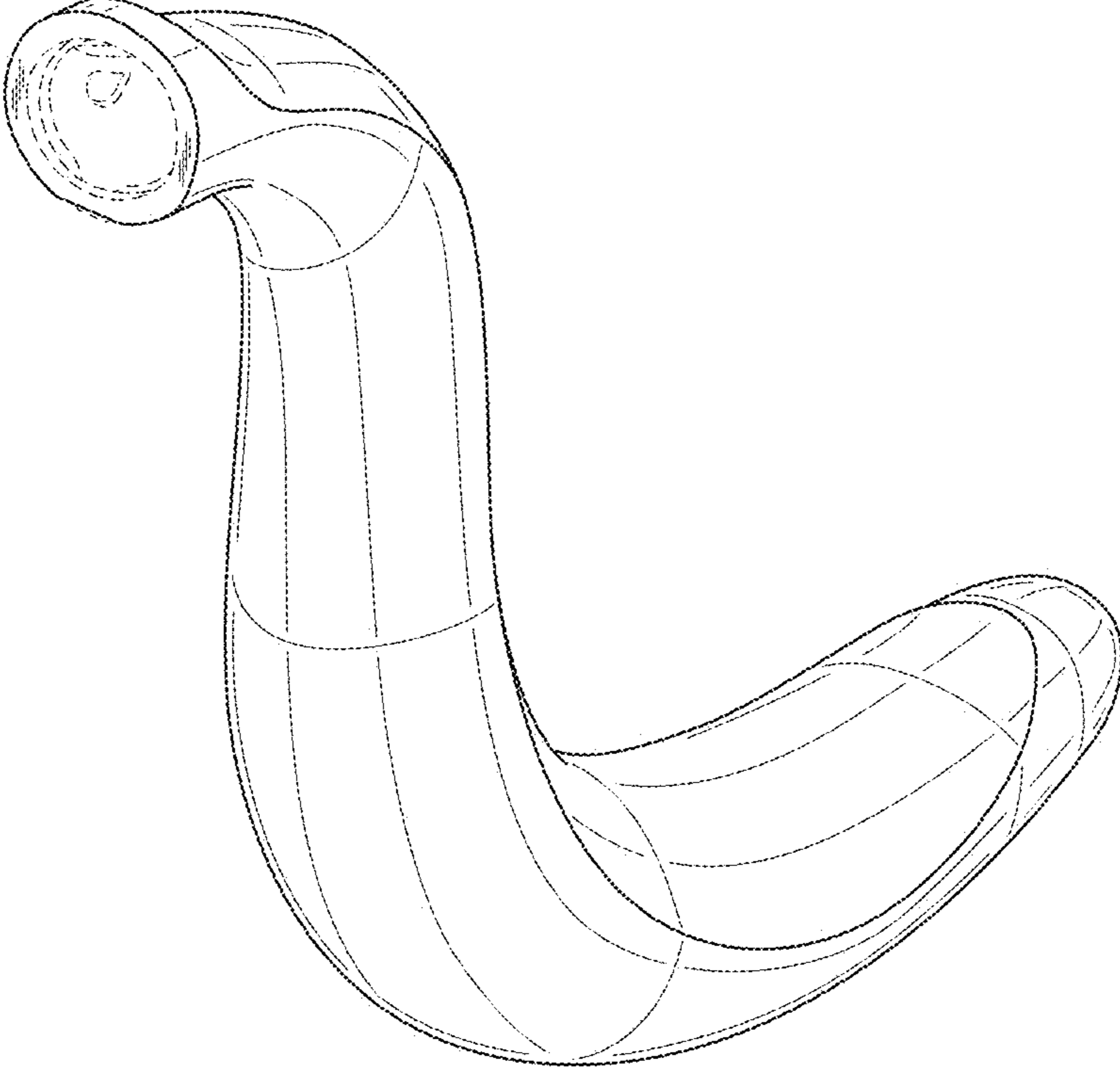


FIG.2

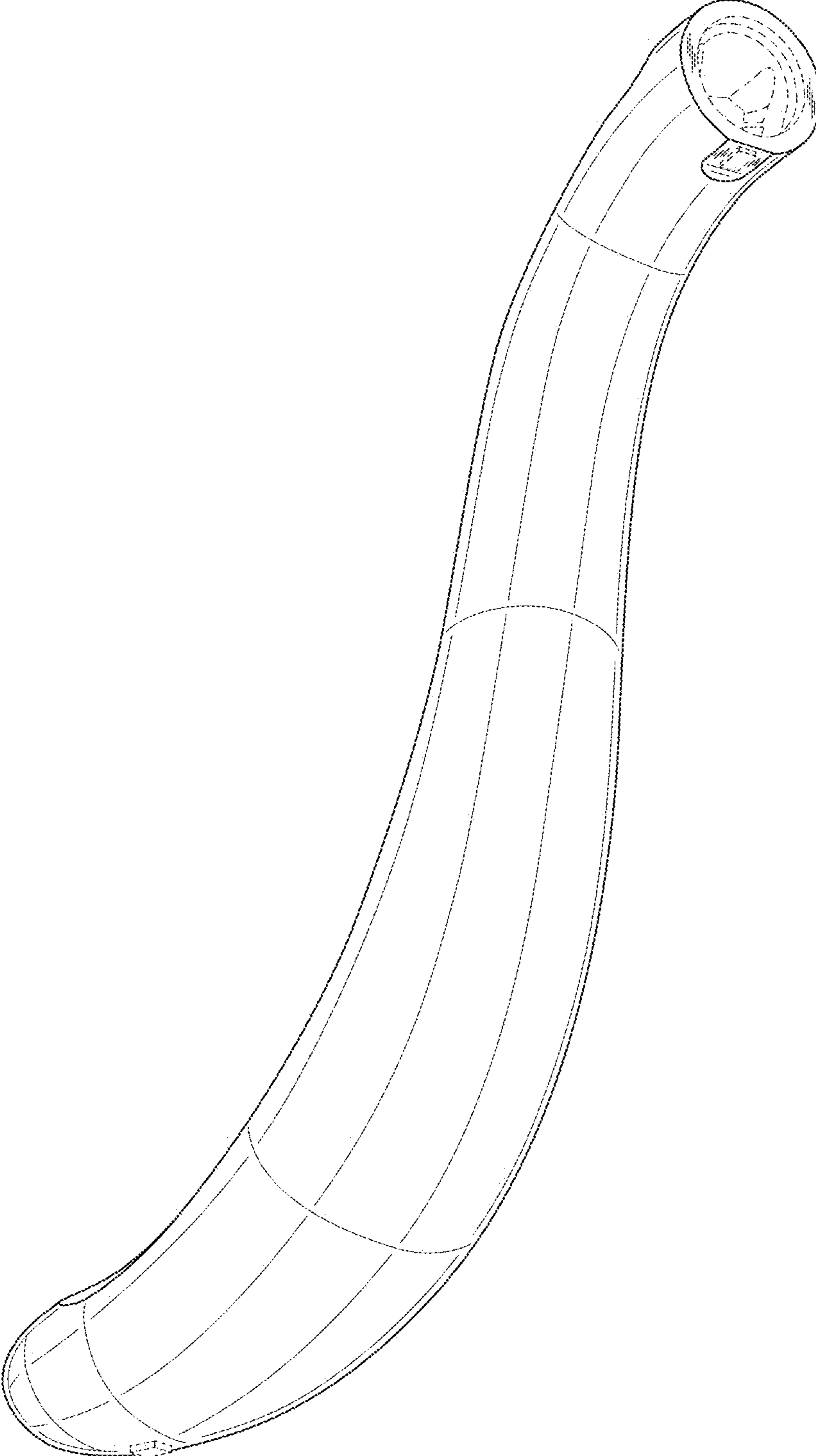


FIG.3

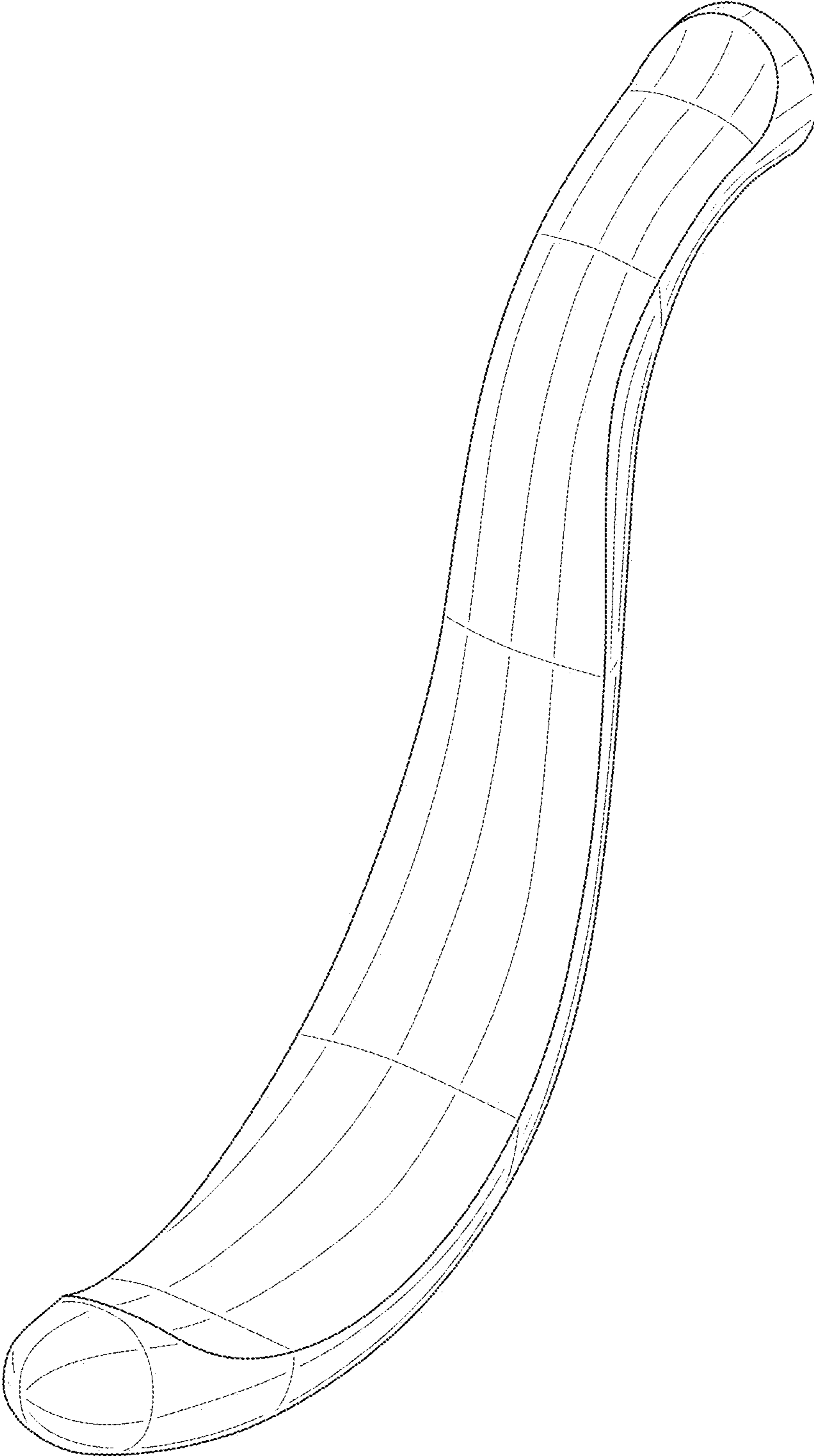


FIG.4

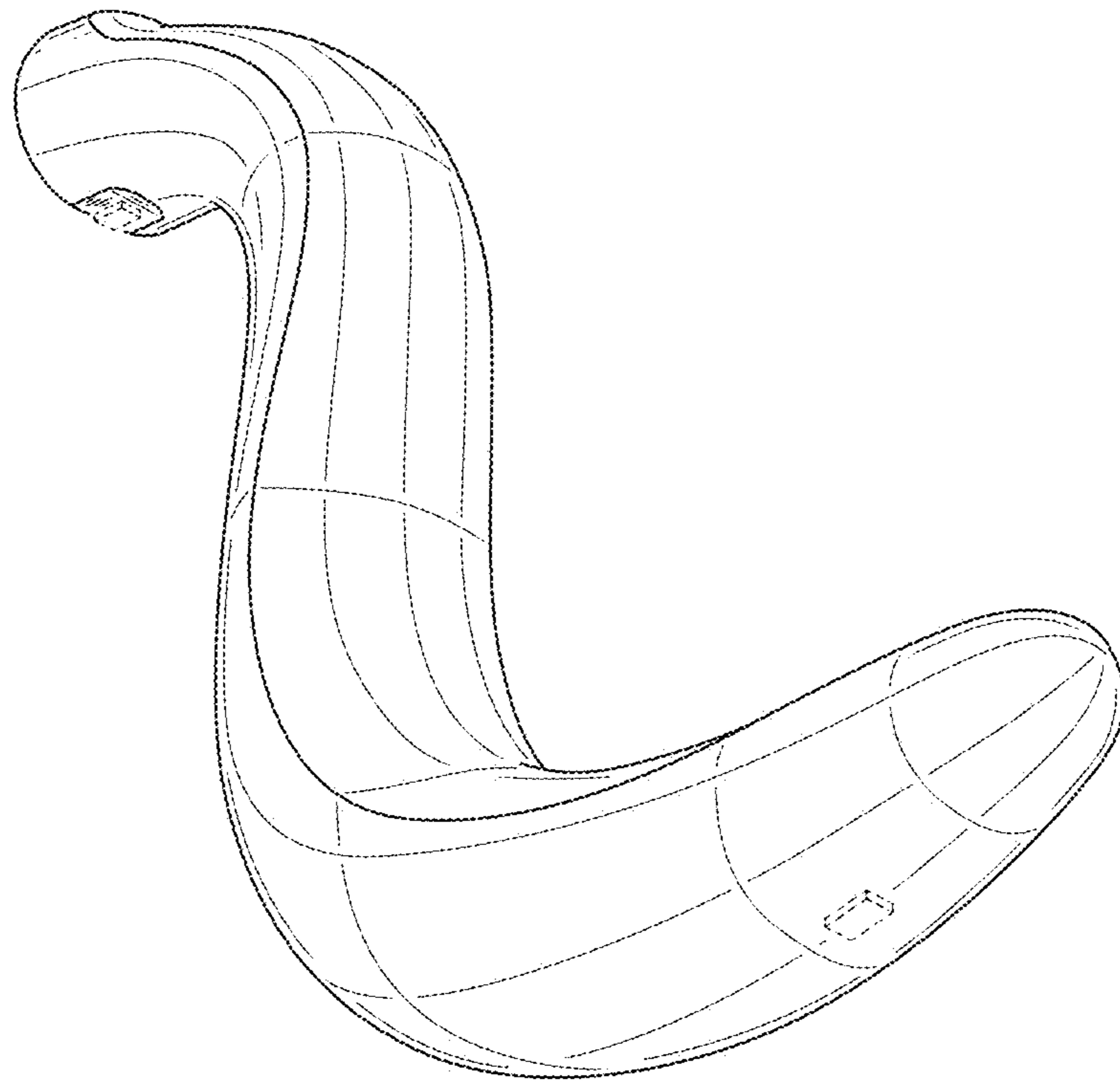


FIG.5

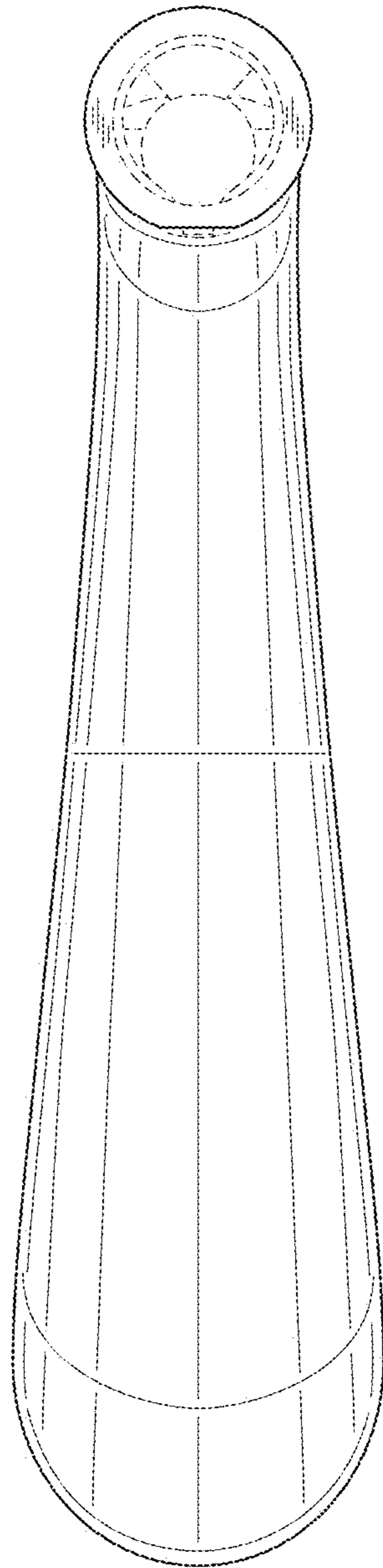


FIG.6

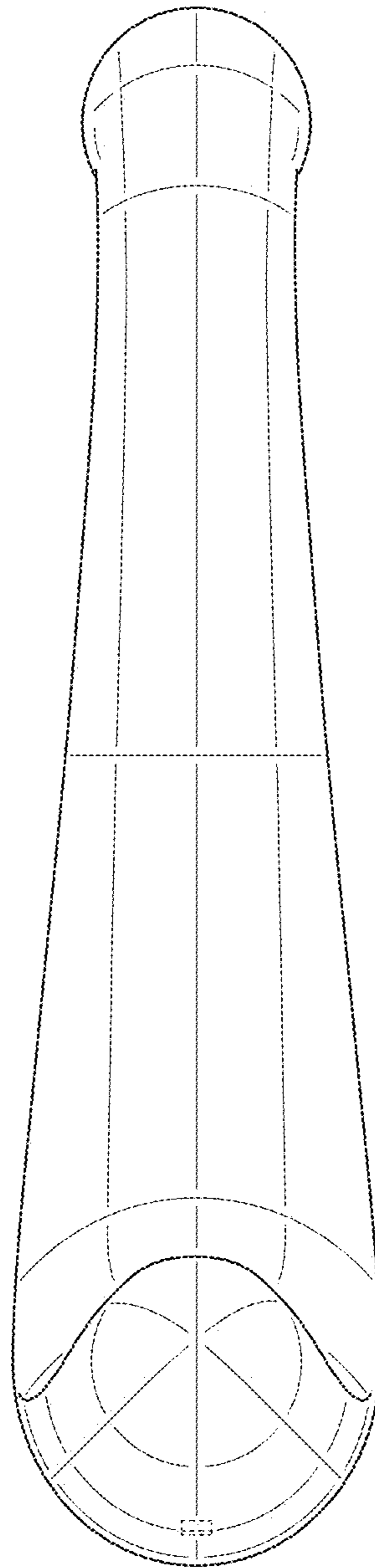


FIG.7

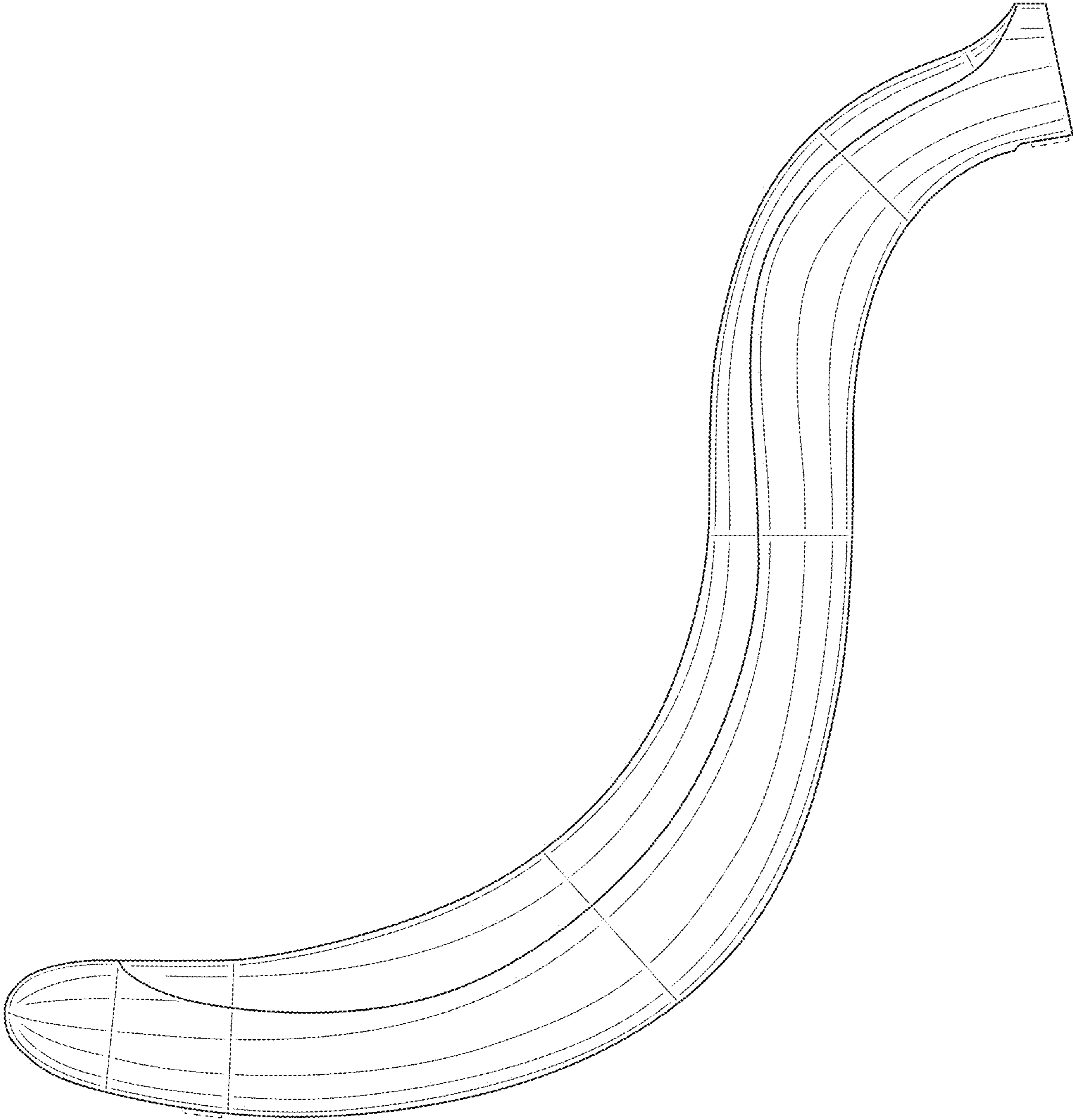


FIG.8

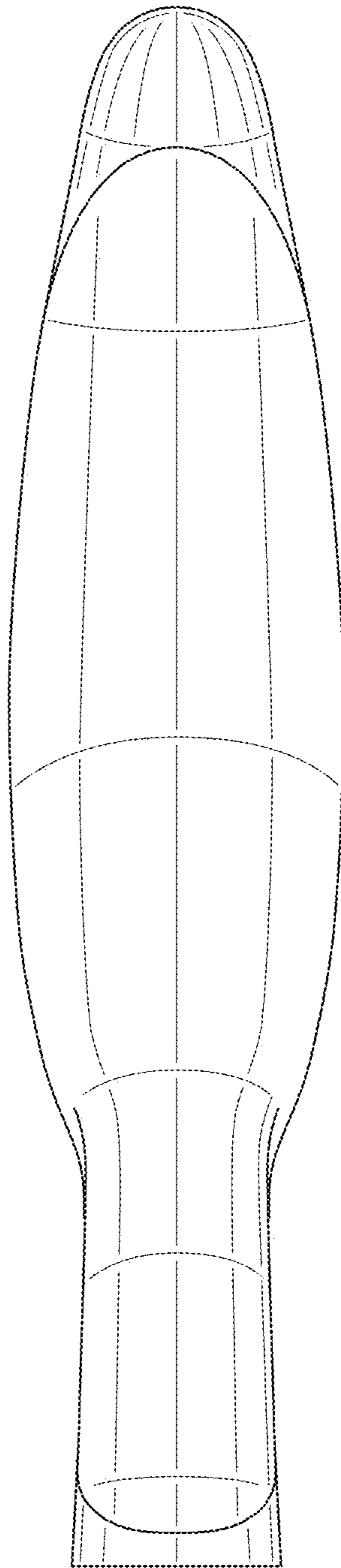


FIG. 9

