



US00D935503S

(12) **United States Design Patent**  
**Bengtsson et al.**

(10) **Patent No.:** **US D935,503 S**

(45) **Date of Patent:** **\*\* Nov. 9, 2021**

(54) **BATTERY SWAPPING PLATFORM**

(71) Applicant: **NIO (ANHUI) HOLDING CO., LTD.**,  
Hefei (CN)

(72) Inventors: **Jan Bengtsson**, Shanghai (CN); **Nan Li**,  
Shanghai (CN); **Xiaotao Tian**, Shanghai (CN); **Xikun Ding**,  
Shanghai (CN); **Yongyue Ma**, Shanghai (CN)

(73) Assignee: **NIO (ANHUI) HOLDING CO., LTD.**,  
Hefei (CN)

(\*\*) Term: **15 Years**

(21) Appl. No.: **29/755,290**

(22) Filed: **Oct. 19, 2020**

**Related U.S. Application Data**

(62) Division of application No. 29/646,930, filed on May  
8, 2018, now Pat. No. Des. 921,732.

(30) **Foreign Application Priority Data**

Nov. 8, 2017 (CN) ..... 201730546208.8

(51) **LOC (13) Cl.** ..... **15-99**

(52) **U.S. Cl.**  
USPC ..... **D15/199**

(58) **Field of Classification Search**  
USPC ..... D15/199  
CPC ..... B60L 11/1822; B60S 5/06; B65G 49/05;  
B65G 51/03; B66F 11/00  
See application file for complete search history.

(56) **References Cited**

**U.S. PATENT DOCUMENTS**

3,358,785 A \* 12/1967 Mayer ..... G01G 19/02  
177/256  
D237,541 S \* 11/1975 Doelling ..... D34/35

4,556,126 A \* 12/1985 Wait ..... B60R 3/007  
182/150  
7,004,710 B1 \* 2/2006 Quade ..... B60L 53/80  
414/395  
2006/0214634 A1 \* 9/2006 Baba ..... B60L 53/11  
320/114  
2012/0228245 A1 \* 9/2012 Bachir ..... B60L 50/64  
211/26.2  
2014/0261098 A1 \* 9/2014 Giemza ..... B65G 69/24  
108/44  
2014/0360011 A1 \* 12/2014 Mulato ..... B60L 53/80  
29/729  
2015/0307068 A1 \* 10/2015 Gaffoglio ..... B60L 53/80  
414/399  
2016/0107619 A1 \* 4/2016 Clarke ..... B65G 51/03  
29/402.08  
2016/0276858 A1 \* 9/2016 Davis ..... B60L 58/26  
2016/0325849 A1 \* 11/2016 Miller ..... B64C 39/024  
2017/0158070 A1 \* 6/2017 Salasoo ..... H01M 2/1083  
2018/0123099 A1 \* 5/2018 Fees ..... F16B 13/143  
2018/0134260 A1 \* 5/2018 Ahrens ..... B60S 5/06  
2018/0135328 A1 \* 5/2018 Wu ..... E04H 6/307

(Continued)

*Primary Examiner* — Patricia A Palasik

(74) *Attorney, Agent, or Firm* — Sheridan Ross P.C.

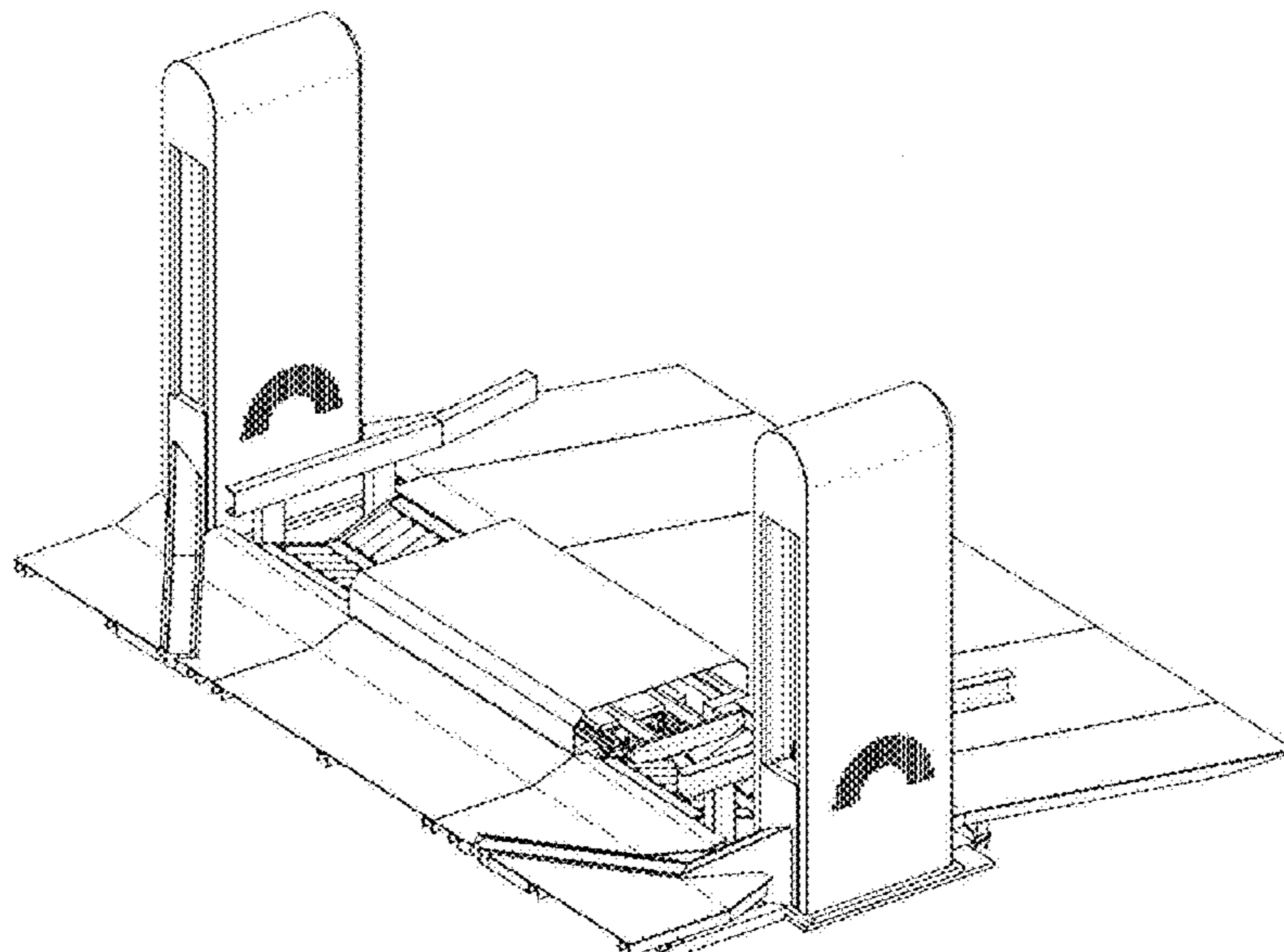
(57) **CLAIM**

The ornamental design for a battery swapping platform, as  
shown and described.

**DESCRIPTION**

FIG. 1 is a perspective view of a battery swapping platform;  
FIG. 2 is a front view of the battery swapping platform;  
FIG. 3 is a rear view of the battery swapping platform;  
FIG. 4 is a left side view of the battery swapping platform;  
FIG. 5 is a right side view of the battery swapping platform;  
and,  
FIG. 6 is a top view of the battery swapping platform.

**1 Claim, 3 Drawing Sheets**



(56)

**References Cited**

U.S. PATENT DOCUMENTS

2018/0215556 A1\* 8/2018 Lee ..... B65G 47/244  
2018/0222338 A1\* 8/2018 Sponheimer ..... B60L 50/64  
2019/0002260 A1\* 1/2019 Conway ..... B66F 11/00  
2019/0092581 A1\* 3/2019 Sturges ..... B25B 5/106  
2019/0168973 A1\* 6/2019 Hines ..... A47B 37/00  
2019/0308820 A1\* 10/2019 Andreae ..... B65G 19/185  
2020/0002967 A1\* 1/2020 Mousavi ..... E21B 19/155  
2020/0017342 A1\* 1/2020 Bengtsson ..... B60S 5/06  
2020/0259142 A1\* 8/2020 Yin ..... H01M 2/1083

\* cited by examiner

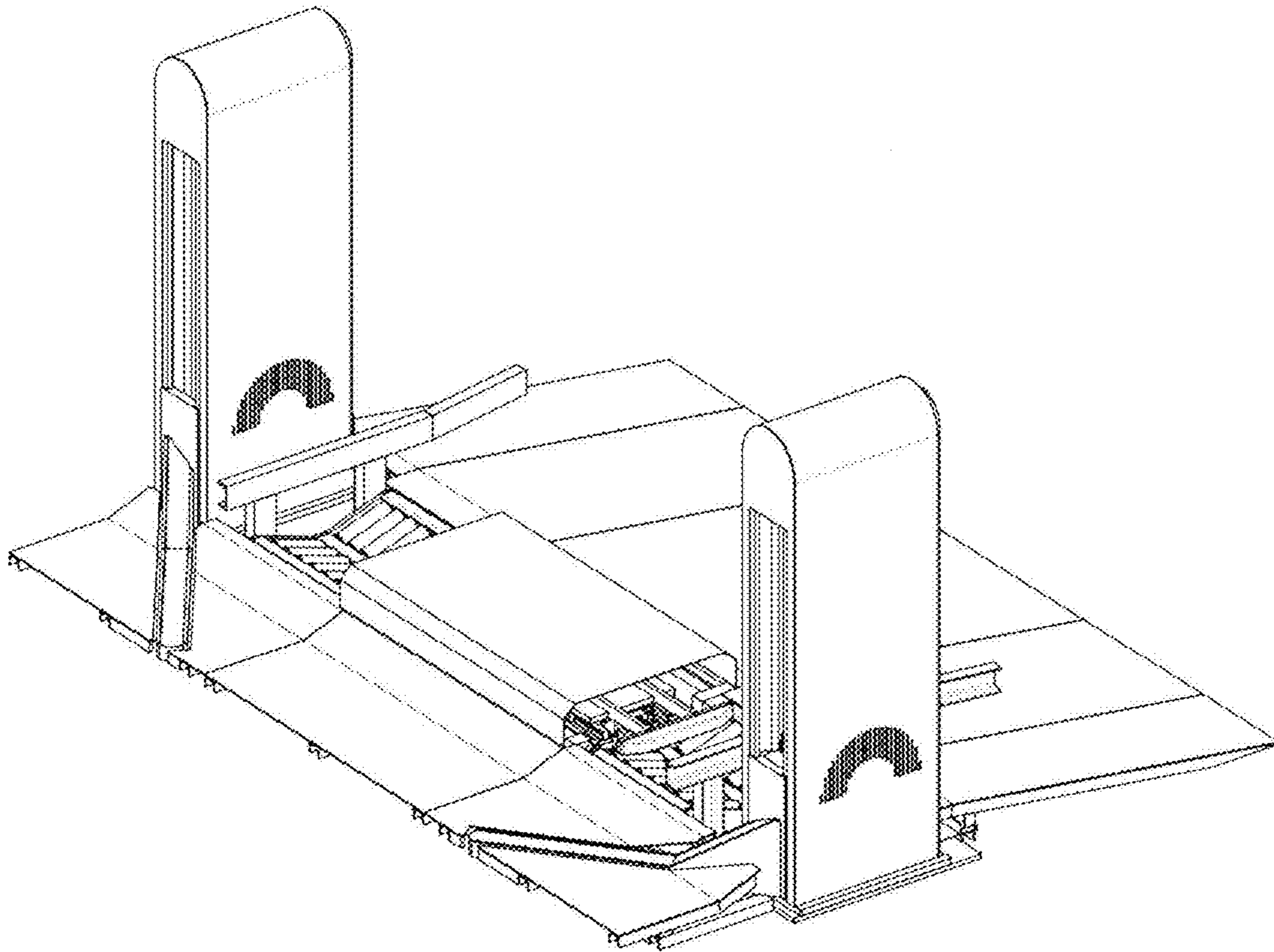


Fig.1

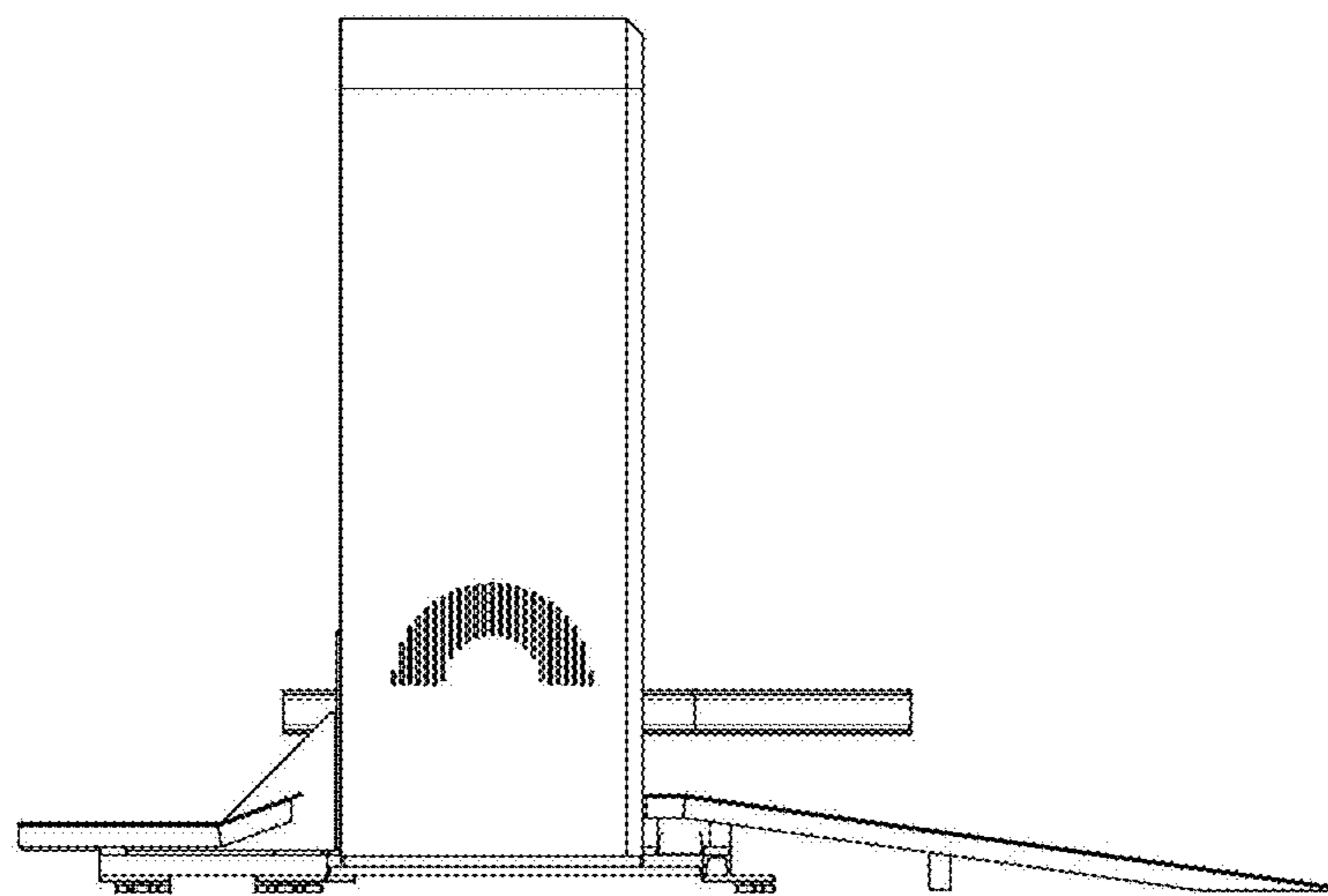


Fig.2

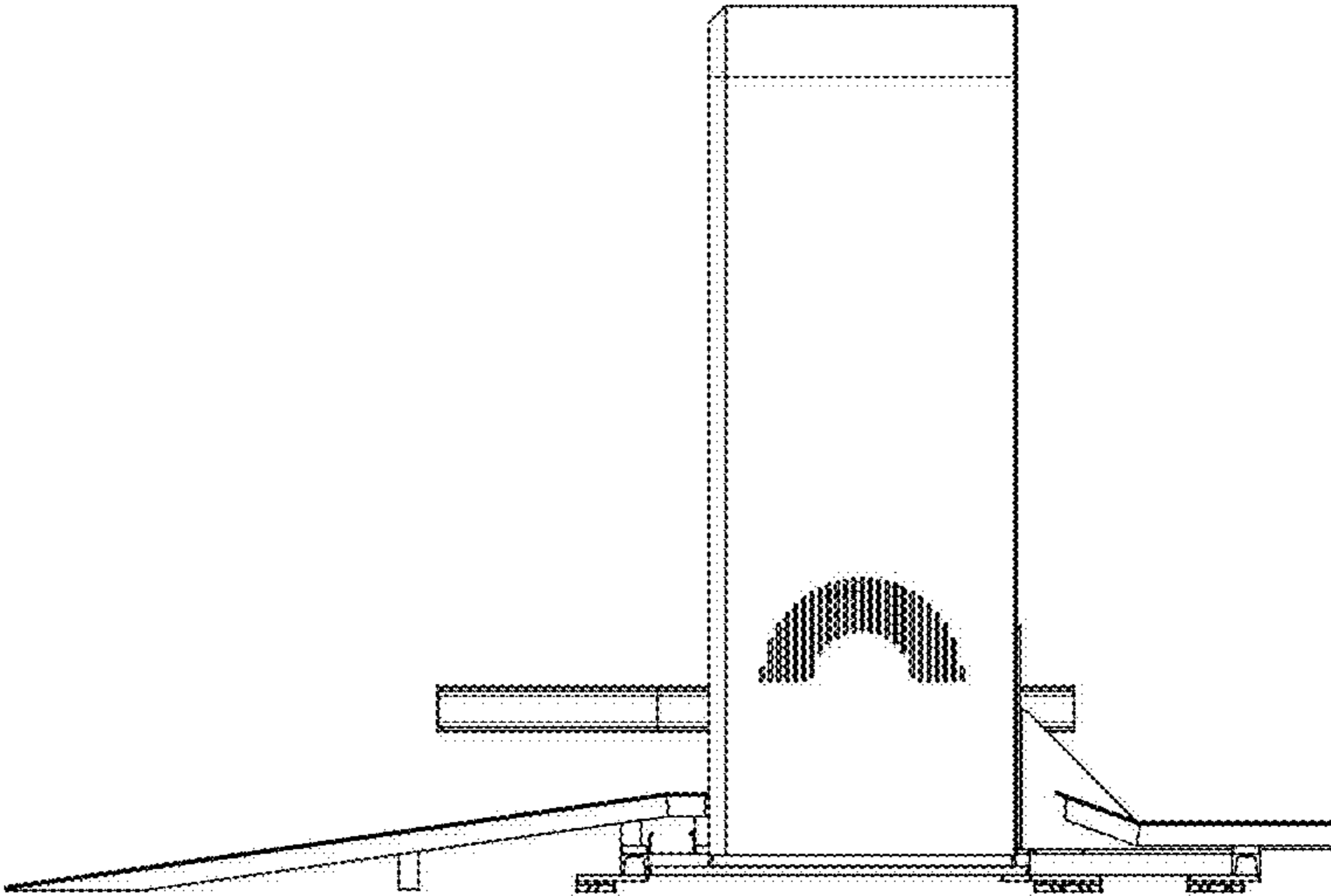


Fig.3

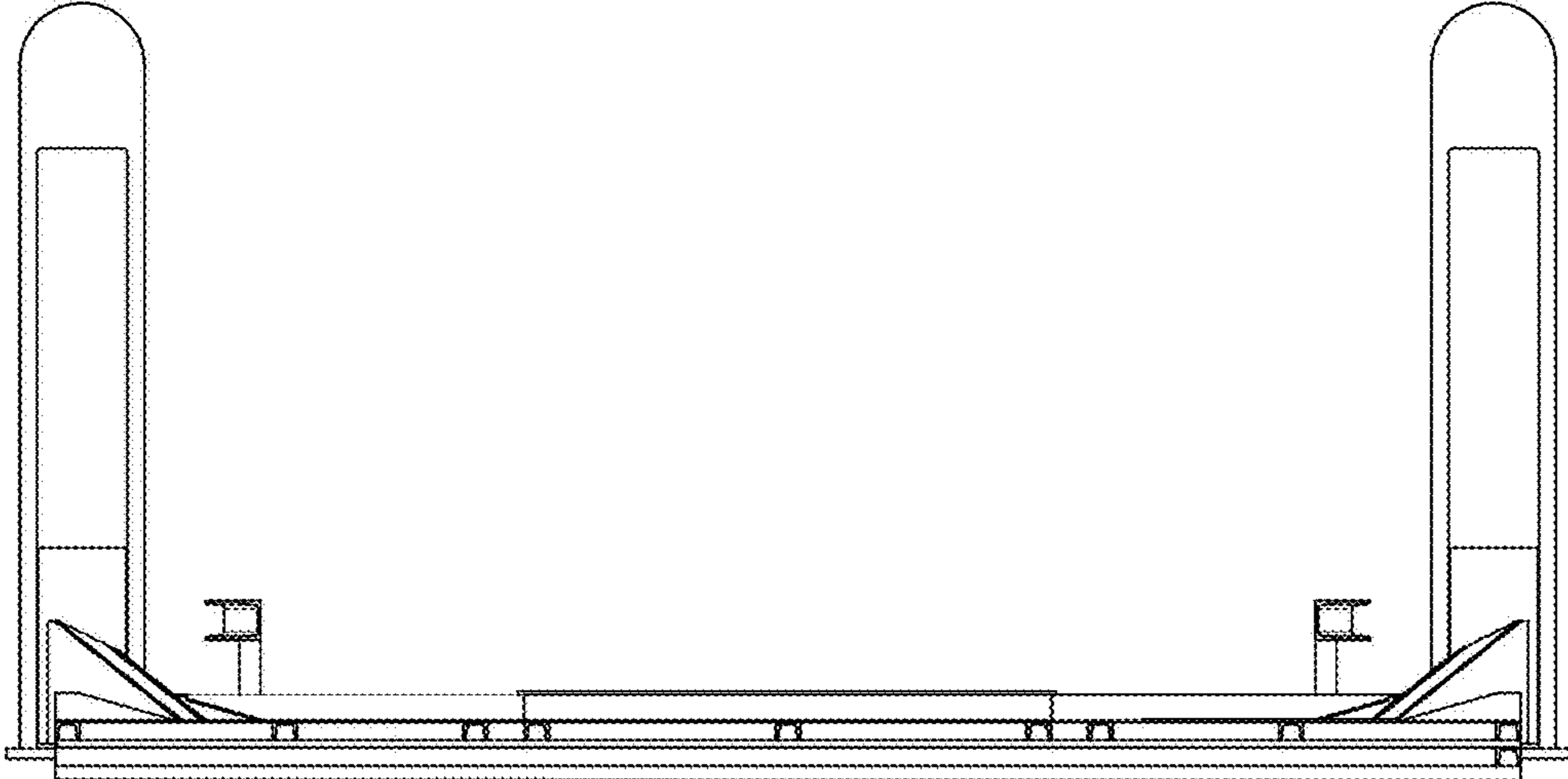


Fig.4



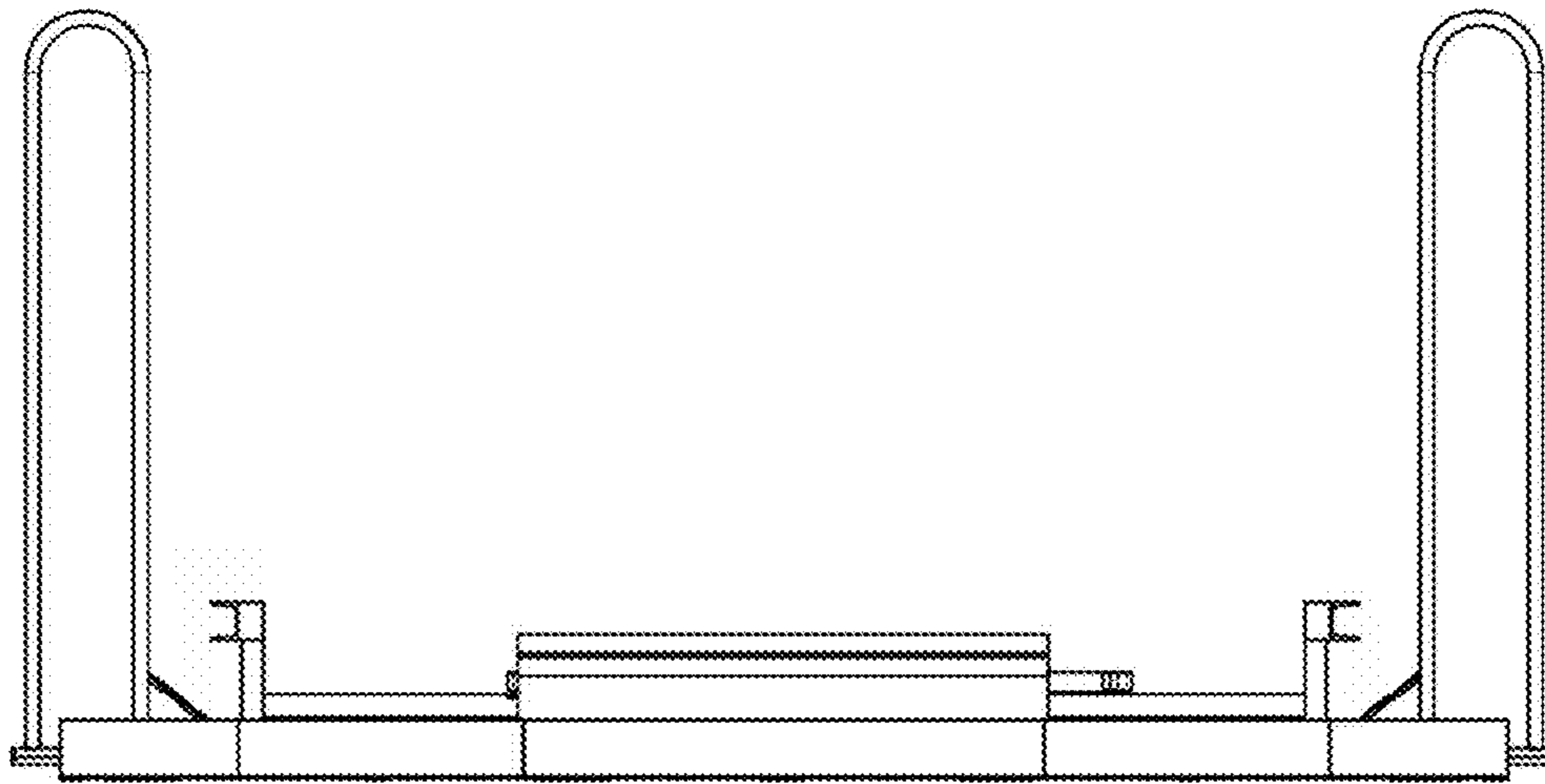


Fig.5

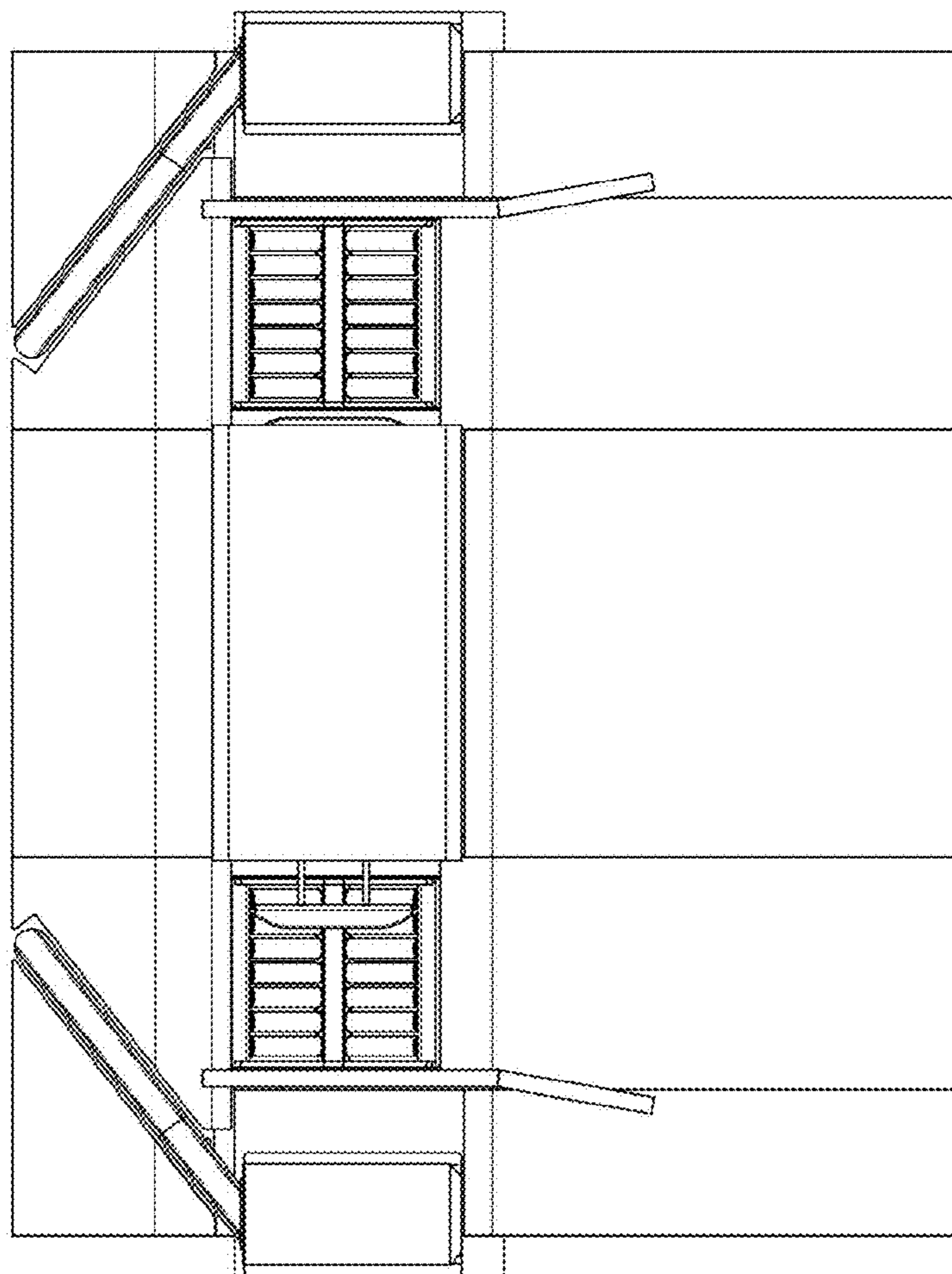


Fig.6