



US00D935501S

(12) **United States Design Patent** (10) **Patent No.:** **US D935,501 S**
Li et al. (45) **Date of Patent:** **** Nov. 9, 2021**

(54) **HEAT PRESS**
(71) Applicant: **Amerta LLC**, Redmond, WA (US)
(72) Inventors: **Bo Li**, Basking Ridge, NJ (US); **Kaijun Liu**, Bixi Township (CN); **Fucaai Weng**, Fuzhou (CN); **Luke Lee**, Basking Ridge, NJ (US)
(73) Assignee: **AMERTA, LLC**, Redmond, WA (US)
(**) Term: **15 Years**
(21) Appl. No.: **29/691,009**
(22) Filed: **May 13, 2019**
(51) **LOC (13) Cl.** **15-99**
(52) **U.S. Cl.**
USPC **D15/146**
(58) **Field of Classification Search**
USPC D8/29.1; D10/83; D13/133; D15/122,
D15/126, 135, 136, 141, 144, 144.1,
D15/144.2, 146
CPC C21D 8/005; C21D 8/04; C21D 8/0405;
C21D 9/48; C21D 7/13; B21D 22/022
See application file for complete search history.

3,885,411 A 5/1975 Szeliga
D237,745 S 11/1975 Pierce
D250,340 S 11/1978 Douglas
D255,454 S 6/1980 Westlund
D255,575 S 6/1980 Pearson et al.
4,257,321 A 3/1981 Wheeler et al.
D270,251 S 8/1983 Spainhour et al.
4,502,379 A 3/1985 Sato
6,076,455 A 6/2000 Geise
D457,177 S 5/2002 Hsu
D518,494 S 4/2006 Rapp
D826,297 S 8/2018 Yan et al.
D826,999 S 8/2018 Yan et al.
D854,064 S * 7/2019 Mayer D15/144
D867,410 S * 11/2019 Du D15/123
D873,313 S * 1/2020 Galkin D15/122

(Continued)

FOREIGN PATENT DOCUMENTS

CN 205466990 U * 1/2016
Primary Examiner — Michael C Stout
Assistant Examiner — Fritzgerald L Butac
(74) *Attorney, Agent, or Firm* — Seed IP Law Group LLP

(57) **CLAIM**

The ornamental design for a heat press, as shown and described.

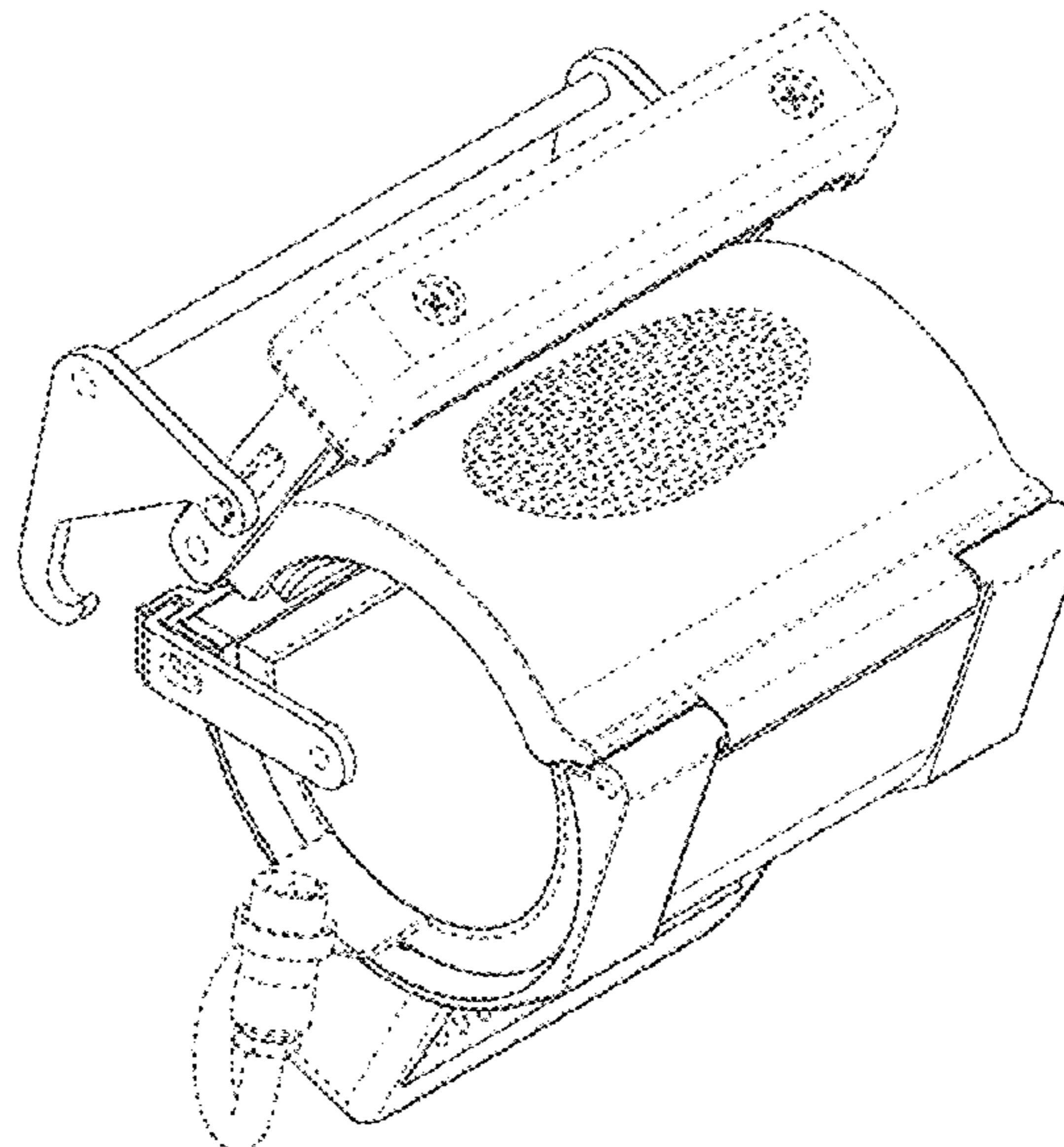
DESCRIPTION

FIG. 1 is a perspective view of a heat press showing our new design.
FIG. 2 is a rear view thereof.
FIG. 3 is a front view thereof.
FIG. 4 is a right side view thereof.
FIG. 5 is a left side view thereof.
FIG. 6 is a top view thereof; and,
FIG. 7 is a bottom view thereof.
Any broken lines in the drawings are for illustration purposes only and form no part of the claimed invention.

1 Claim, 7 Drawing Sheets

(56) **References Cited**
U.S. PATENT DOCUMENTS

1,466,714 A 9/1923 Harnden
D154,667 S 8/1949 Denison
D156,333 S 12/1949 Goldberg
2,512,246 A 6/1950 Fishburne
2,550,973 A 5/1951 Corcoran
D179,813 S 3/1957 Munschauer
D179,814 S 3/1957 Munschauer
D198,473 S 6/1964 Finke
D201,392 S 6/1965 Cooper
D206,729 S 1/1967 Finke
3,465,410 A 9/1969 Ernest et al.
D218,784 S 9/1970 Finke
D220,211 S 3/1971 Edstrom



(56)

References Cited

U.S. PATENT DOCUMENTS

D875,148	S	*	2/2020	Galkin	D15/146
D875,149	S	*	2/2020	Galkin	D15/146
D893,563	S	*	8/2020	Crisp	D15/122
D893,566	S	*	8/2020	Chen	D15/122
D894,245	S	*	8/2020	Li	D15/123
2003/0074948	A1		4/2003	Kanamaru et al.	
2008/0196836	A1		8/2008	Woods	
2010/0263788	A1		10/2010	Lahood et al.	
2015/0122425	A1		5/2015	Hsiao et al.	
2017/0314177	A1		11/2017	Komiya	

* cited by examiner

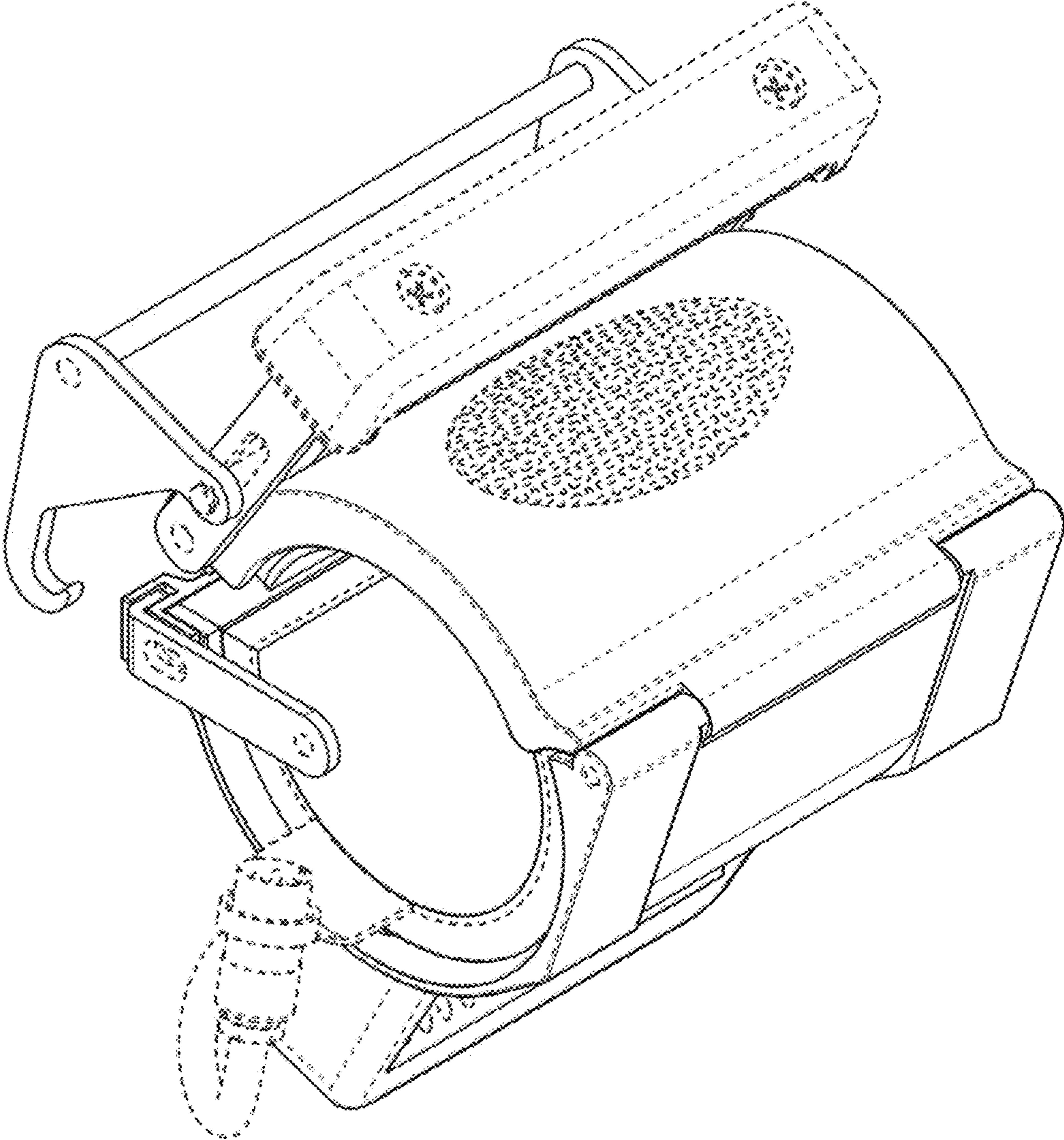


Fig. 1

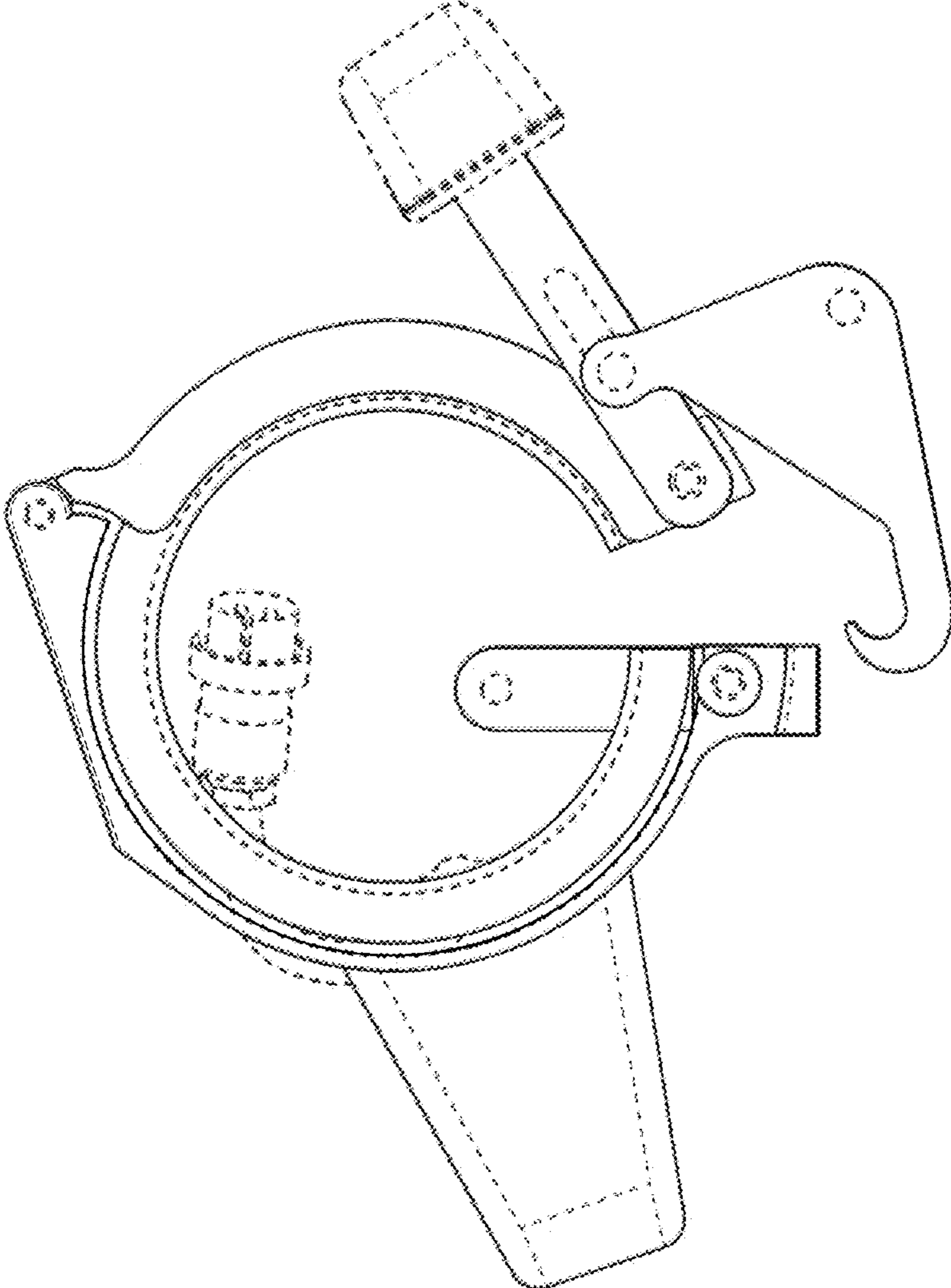


Fig. 2

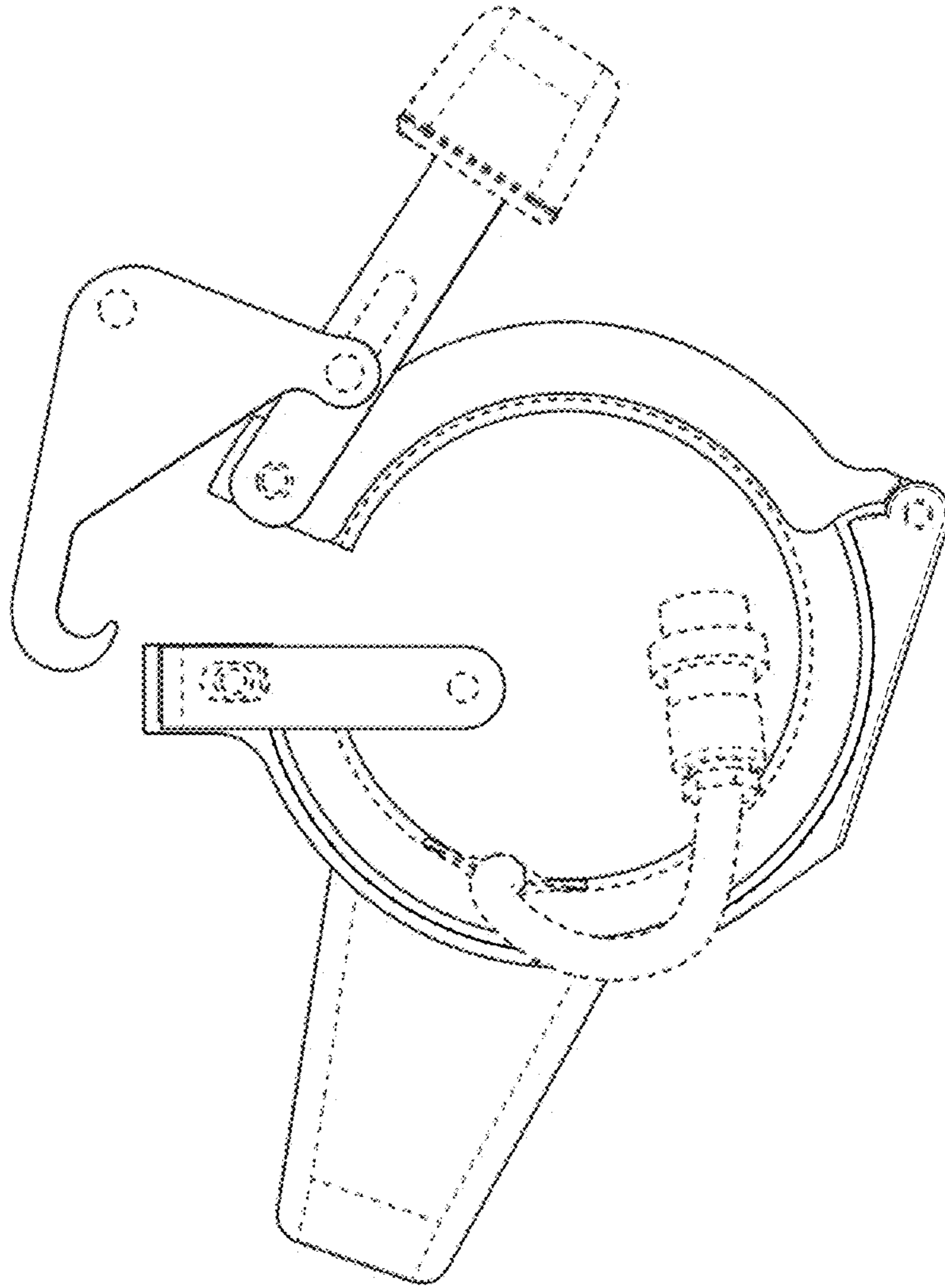


Fig. 3

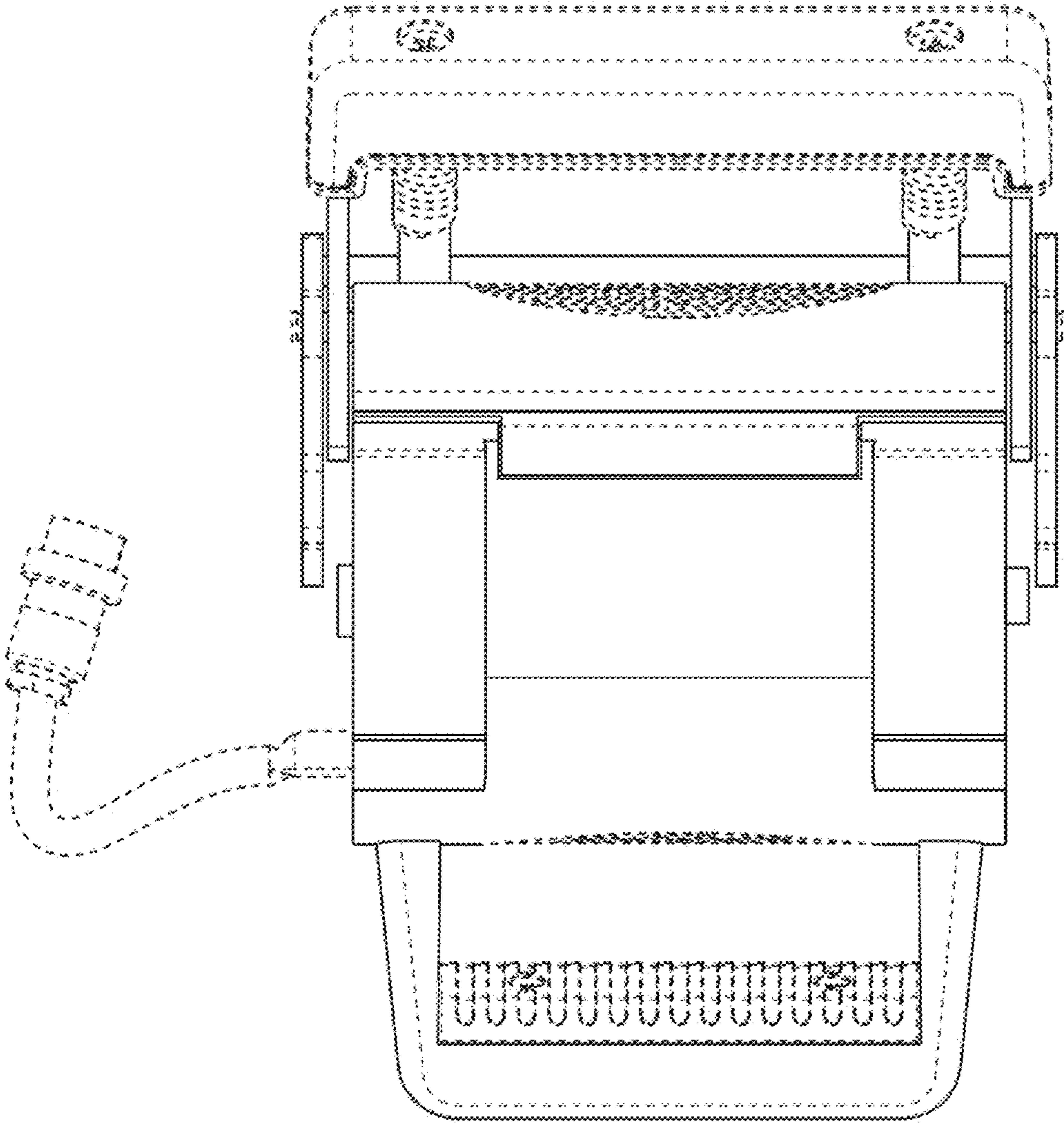


Fig. 4

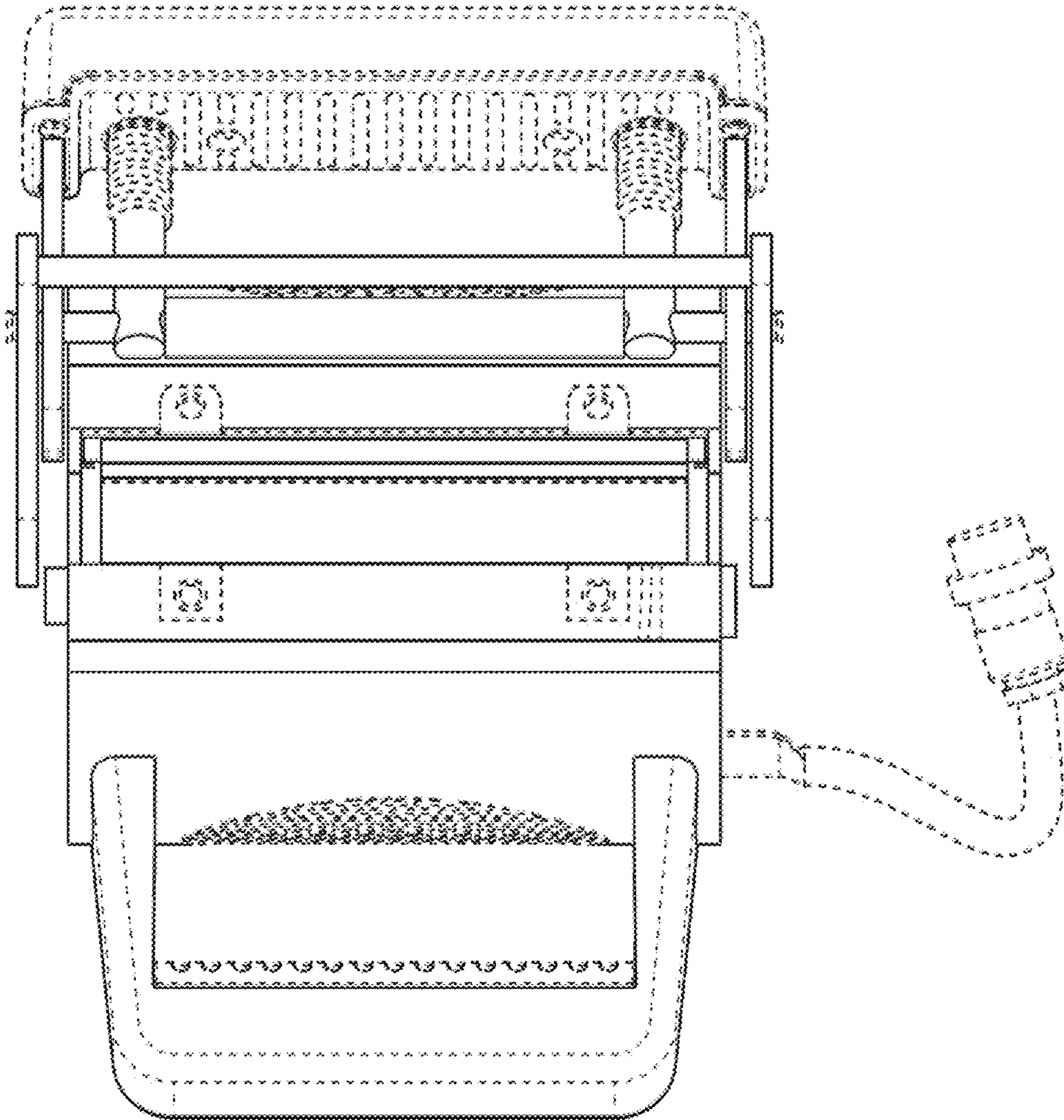


Fig. 5

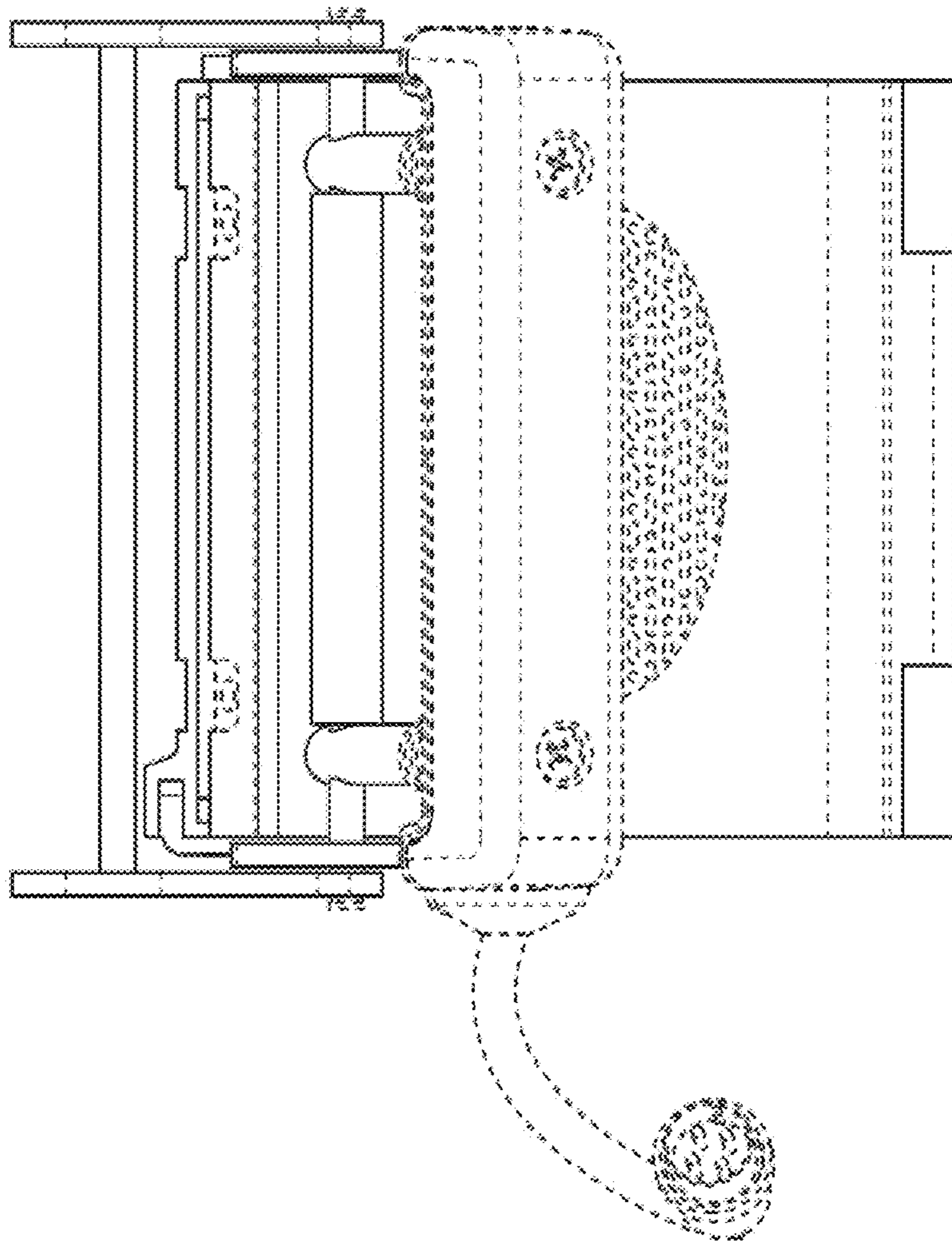


Fig. 6

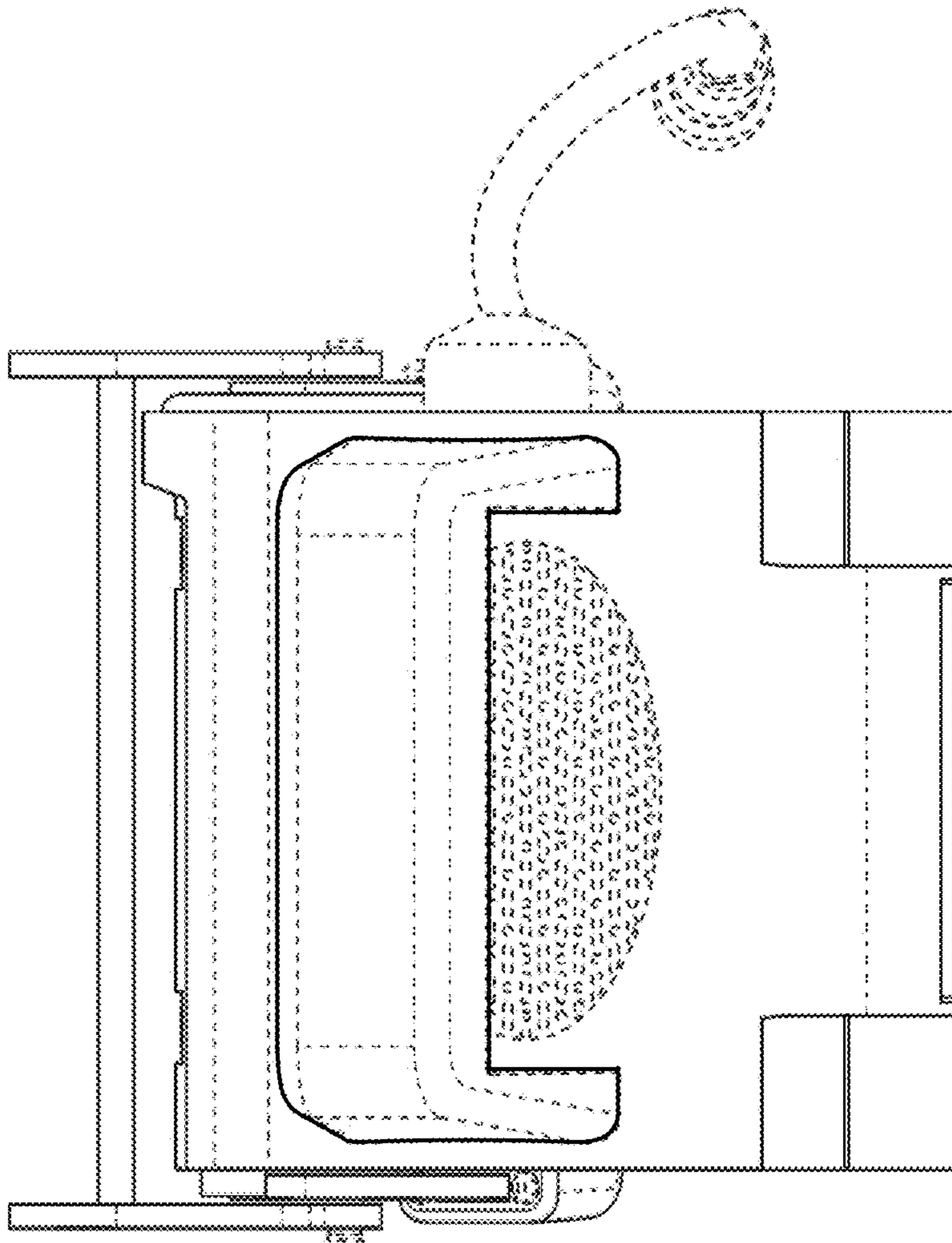


Fig. 7