



US00D935499S

(12) **United States Design Patent** (10) **Patent No.:** **US D935,499 S**
Lowther et al. (45) **Date of Patent:** **** Nov. 9, 2021**

(54) **WELDING/CUTTING ENCLOSURE PANEL**

(71) Applicant: **The ESAB Group Inc.**, Annapolis Junction, MD (US)

(72) Inventors: **Mark Lowther**, Warrington (GB); **Daryll Scott Evans**, Winchester, VA (US)

(73) Assignee: **The ESAB Group Inc.**, Annapolis Junction, MD (US)

(**) Term: **15 Years**

(21) Appl. No.: **29/786,734**

(22) Filed: **Jun. 2, 2021**

Related U.S. Application Data

(63) Continuation of application No. 29/705,594, filed on Sep. 13, 2019, now Pat. No. Des. 924,288.

(51) **LOC (13) Cl.** **15-09**

(52) **U.S. Cl.**
USPC **D15/144**

(58) **Field of Classification Search**
USPC D8/29.1, 30; D13/123, 133, 144;
D15/144, 144.1, 144.2
CPC B23K 9/32; B23K 9/028; B23K 9/1006;
B23K 9/1735; B23K 11/28; B23K 37/053
See application file for complete search history.

(56) **References Cited**

U.S. PATENT DOCUMENTS

- 2,987,214 A * 6/1961 Radack H01R 13/447
220/242
- D387,847 S * 12/1997 Wadlington D23/202
- 5,779,083 A * 7/1998 Bordwell H02G 3/14
174/67
- D434,440 S * 11/2000 Lawton D10/64
- D518,078 S * 3/2006 Persson D15/144.1

- D520,038 S 5/2006 Ljungfeldt
- D569,884 S * 5/2008 Shu D15/144
- D623,205 S * 9/2010 Flattinger D15/144
- D654,519 S 2/2012 Wujczak et al.
- D665,833 S 8/2012 Raymond et al.
- D741,385 S 10/2015 Evans et al.
- D744,019 S 11/2015 Evans et al.
- D752,665 S 3/2016 Kindig et al.
- D754,626 S 4/2016 Evans et al.

(Continued)

Primary Examiner — Patricia A Palasik
(74) *Attorney, Agent, or Firm* — Edell, Shapiro & Finnan, LLC

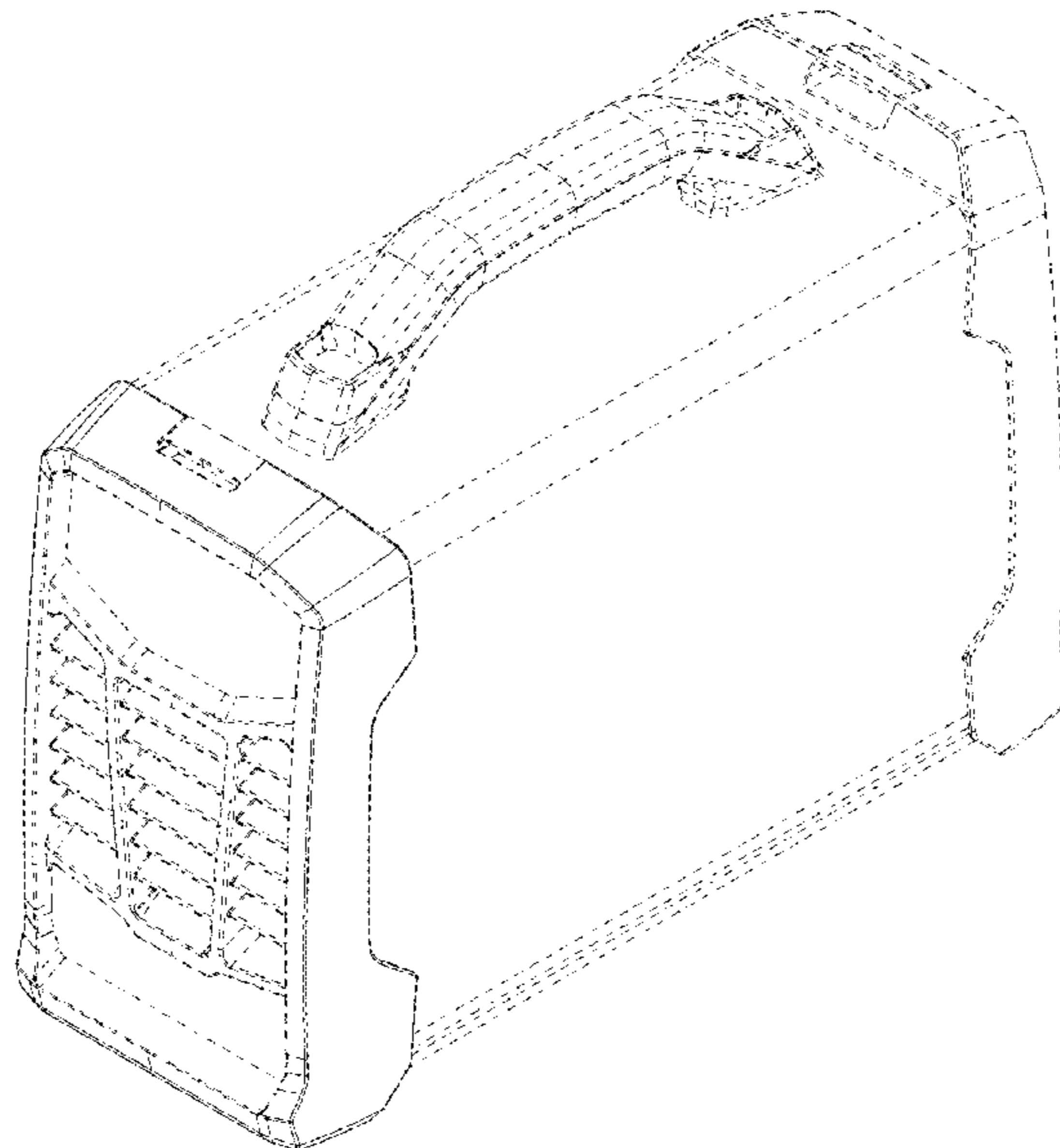
(57) **CLAIM**

The ornamental design for a welding/cutting enclosure panel, as shown and described.

DESCRIPTION

FIG. 1 is a rear perspective view of a panel for a welding/cutting enclosure according to the present invention;
 FIG. 2 is a front perspective view of the panel for a welding/cutting enclosure of FIG. 1;
 FIG. 3 is a rear view of the panel for a welding/cutting enclosure of FIG. 1;
 FIG. 4 is a front view of the panel for a welding/cutting enclosure of FIG. 1;
 FIG. 5 is a left side view of the panel for a welding/cutting enclosure of FIG. 1;
 FIG. 6 is a right side view of the panel for a welding/cutting enclosure of FIG. 1;
 FIG. 7 is a top view of the panel for a welding/cutting enclosure of FIG. 1; and,
 FIG. 8 is a bottom view of the panel for a welding/cutting enclosure of FIG. 1.
 Any portions shown using dashed lines are part of the welding/cutting enclosure panel and form no part of the claimed design.

1 Claim, 6 Drawing Sheets



(56)

References Cited

U.S. PATENT DOCUMENTS

D775,250 S 12/2016 Snead et al.
D810,161 S 2/2018 Snead et al.
D811,456 S 2/2018 Dekker et al.
D812,119 S 3/2018 Dekker et al.
D820,332 S * 6/2018 Brusky D15/144
D821,463 S 6/2018 Lin
D821,465 S 6/2018 Lin
D821,466 S * 6/2018 Lin D15/144
D829,788 S 10/2018 Lin
D836,146 S * 12/2018 Lin D15/144
D839,328 S 1/2019 Lin
D854,593 S 7/2019 Shu et al.
D855,092 S 7/2019 Shu et al.
D862,544 S 10/2019 Lin
D868,126 S 11/2019 Shu et al.
10,478,912 B2 11/2019 Evans et al.
D873,875 S * 1/2020 Hruska D15/144
10,625,359 B2 4/2020 Nadler et al.
D884,042 S * 5/2020 Shu D15/144
D884,758 S * 5/2020 Shu D15/144
D907,080 S * 1/2021 Shu D15/144
D914,071 S * 3/2021 Dekker D15/144

* cited by examiner

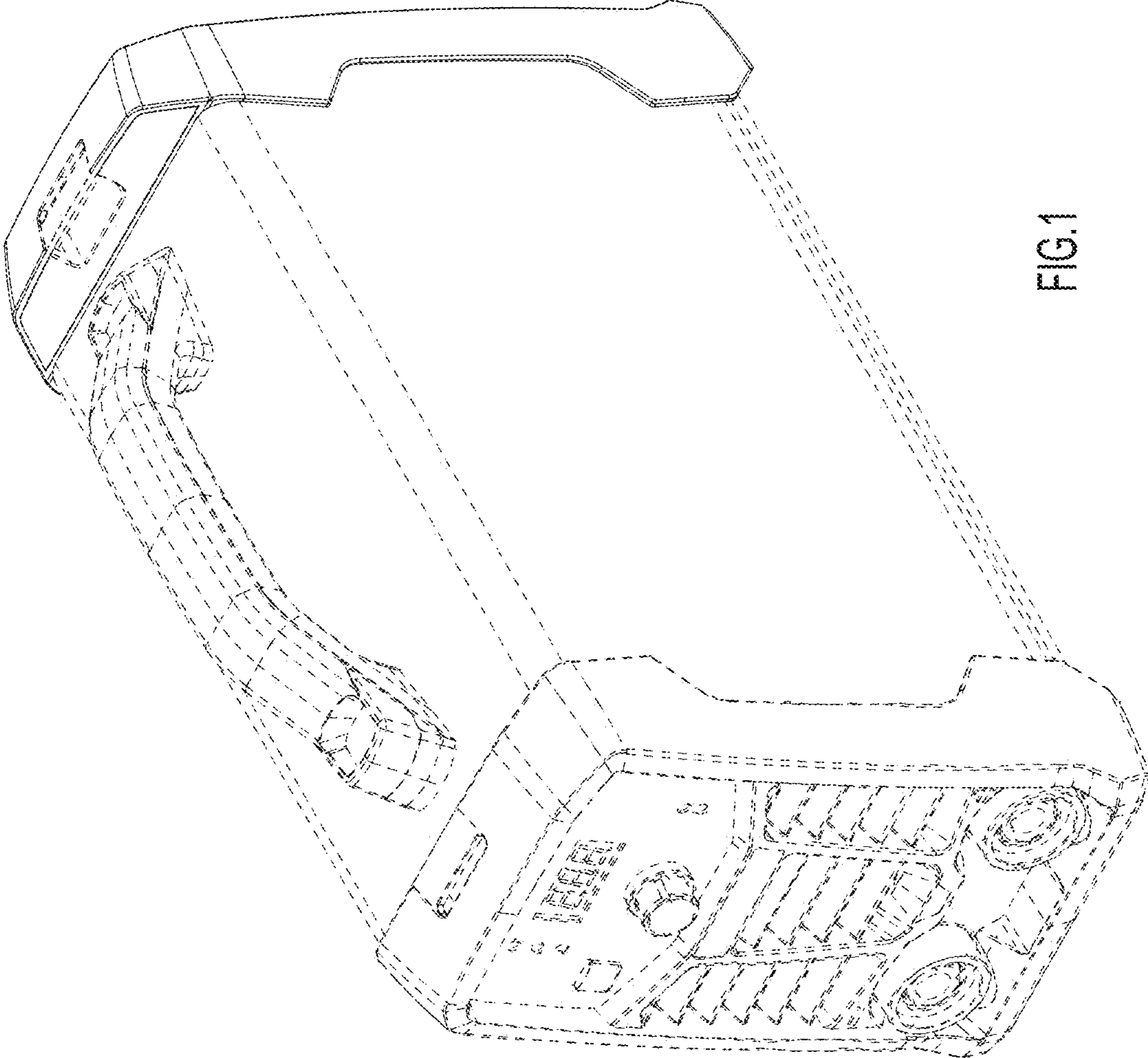


FIG. 1

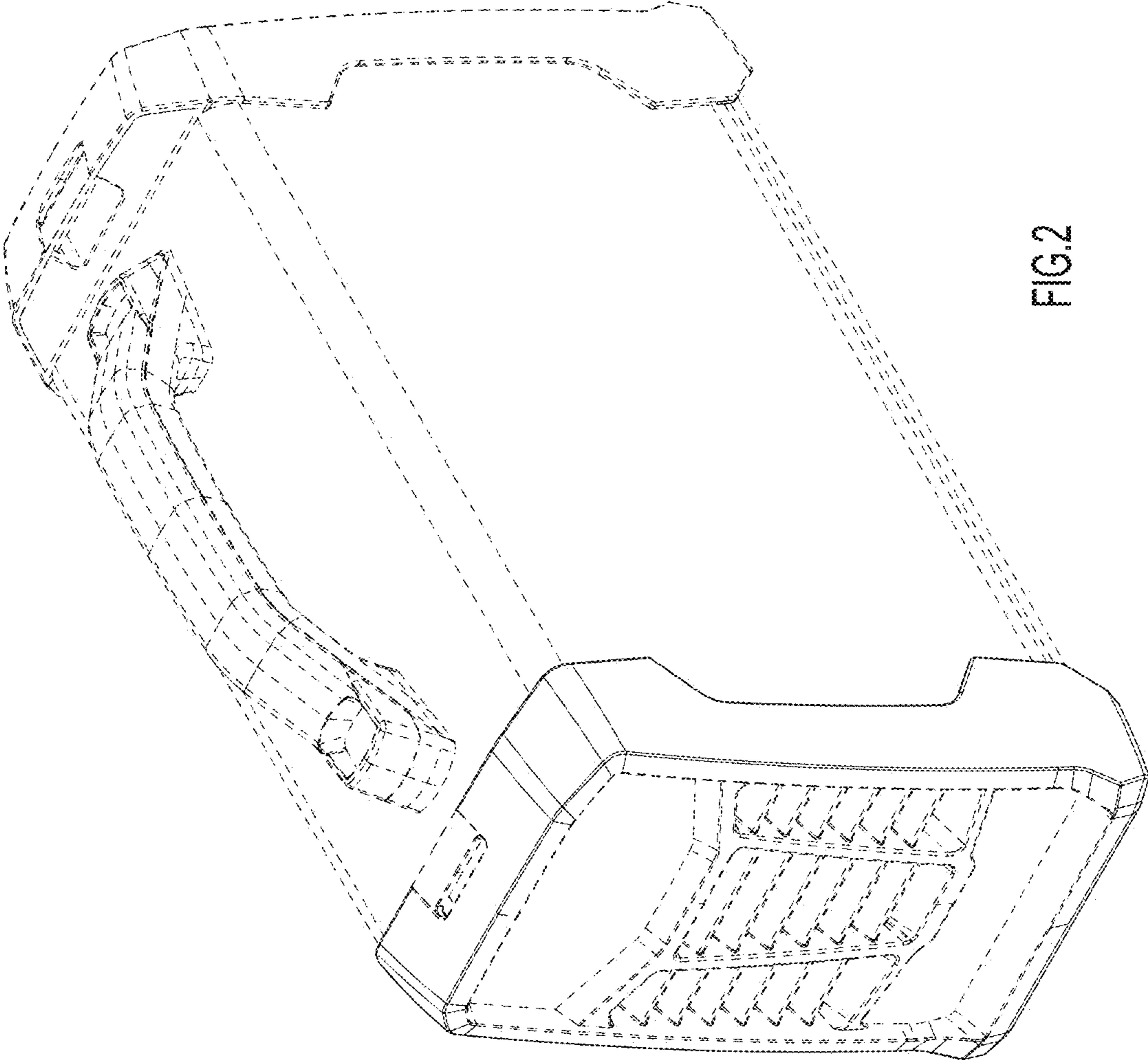


FIG.2

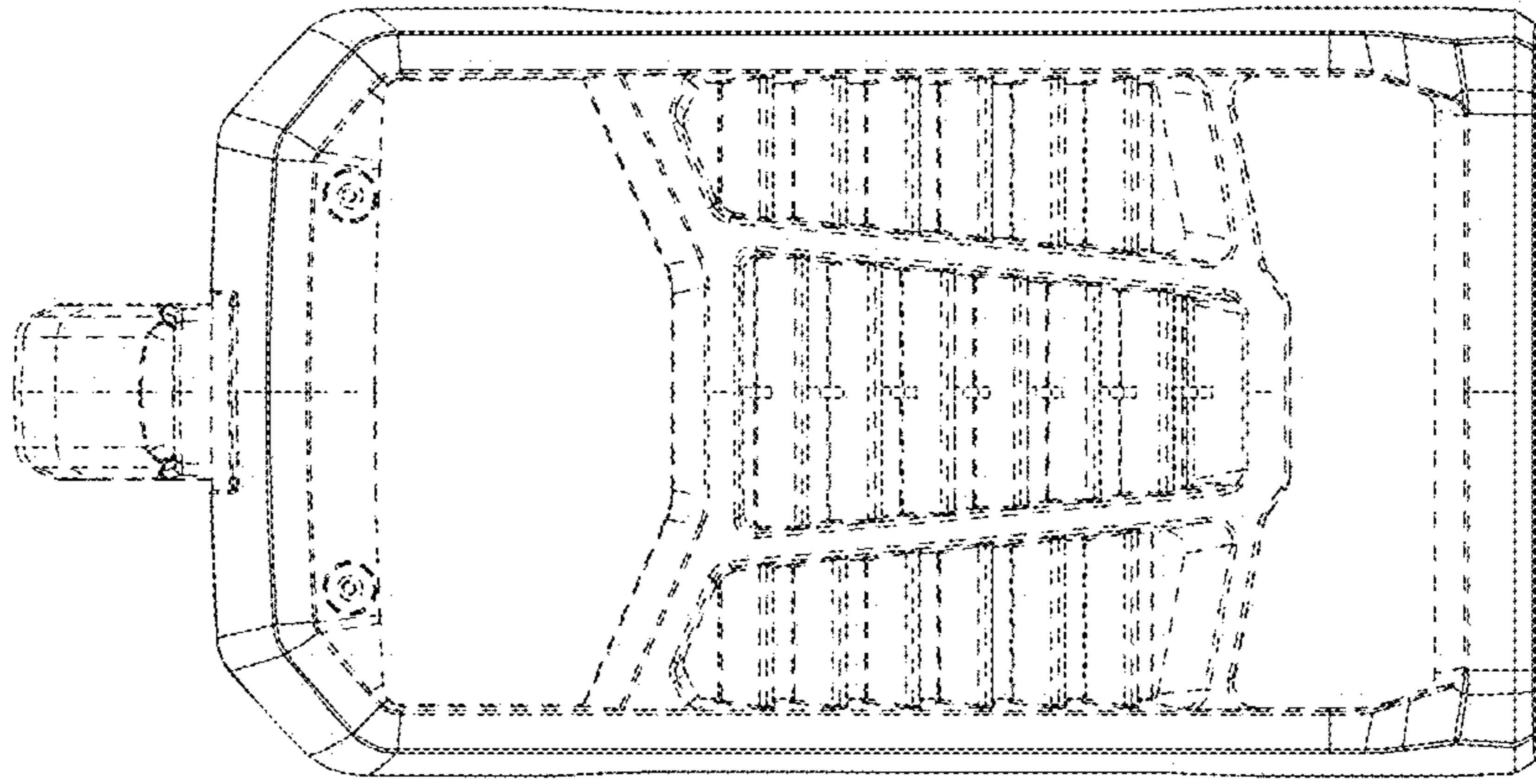


FIG.4

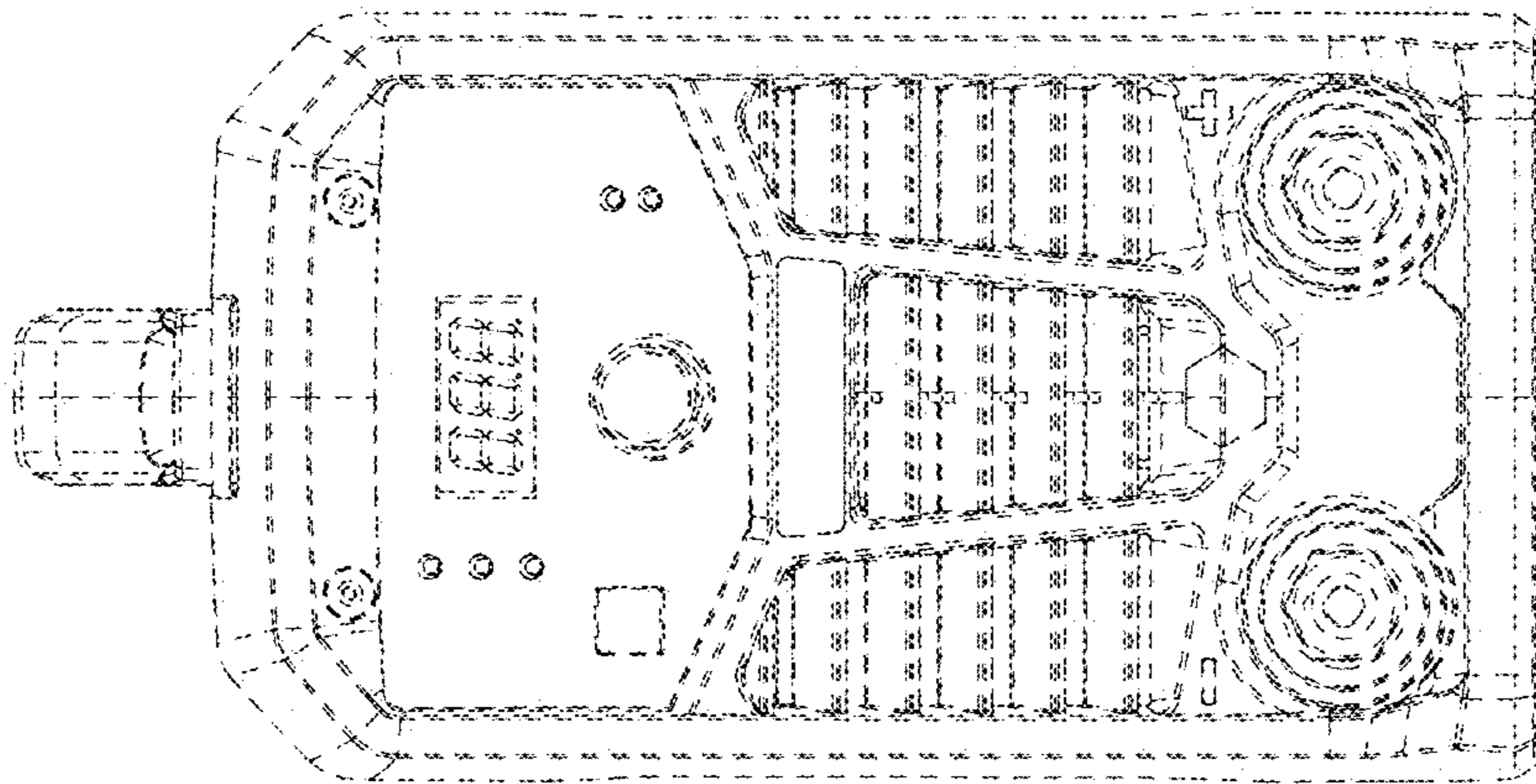


FIG.3

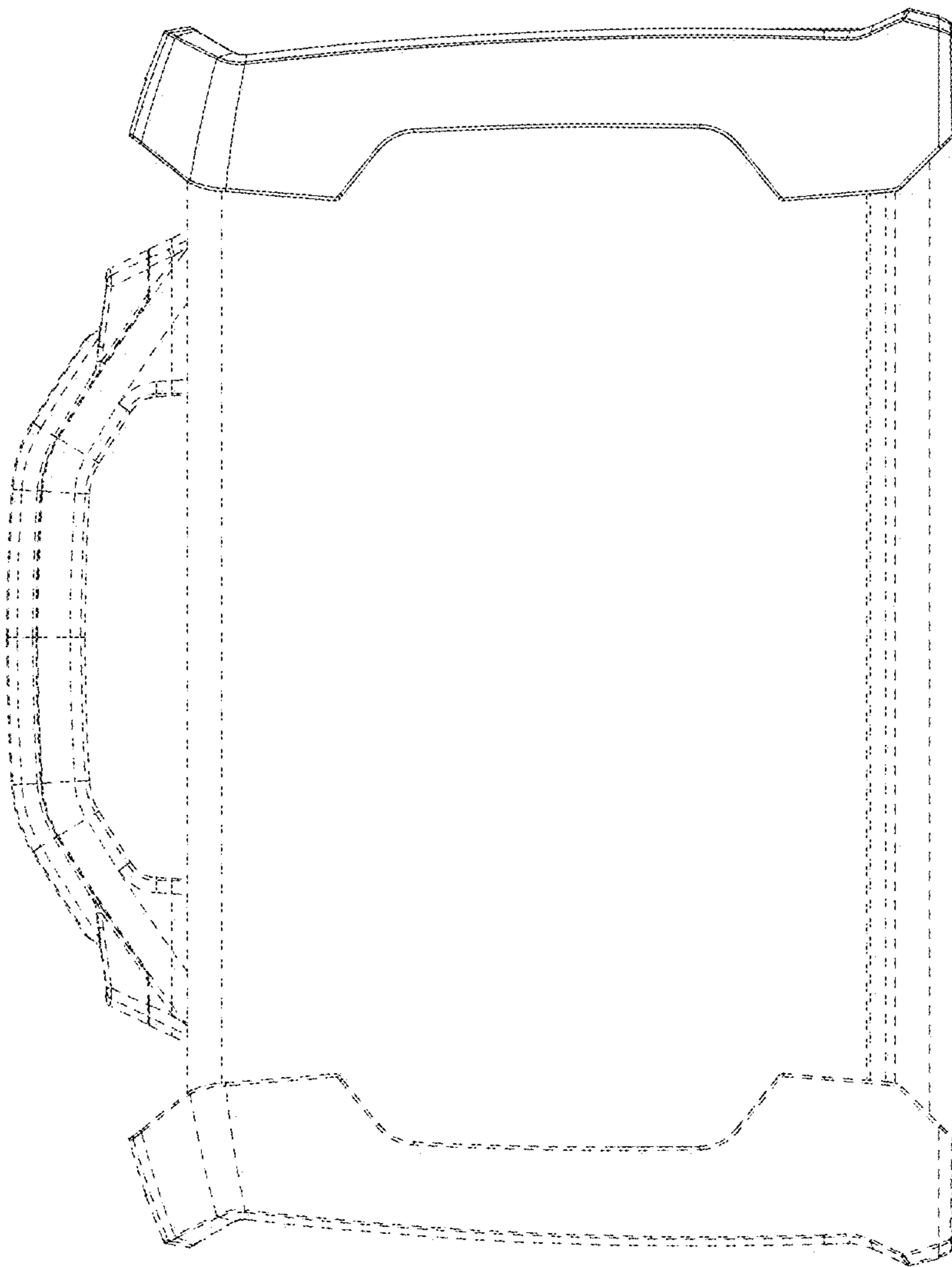


FIG.5

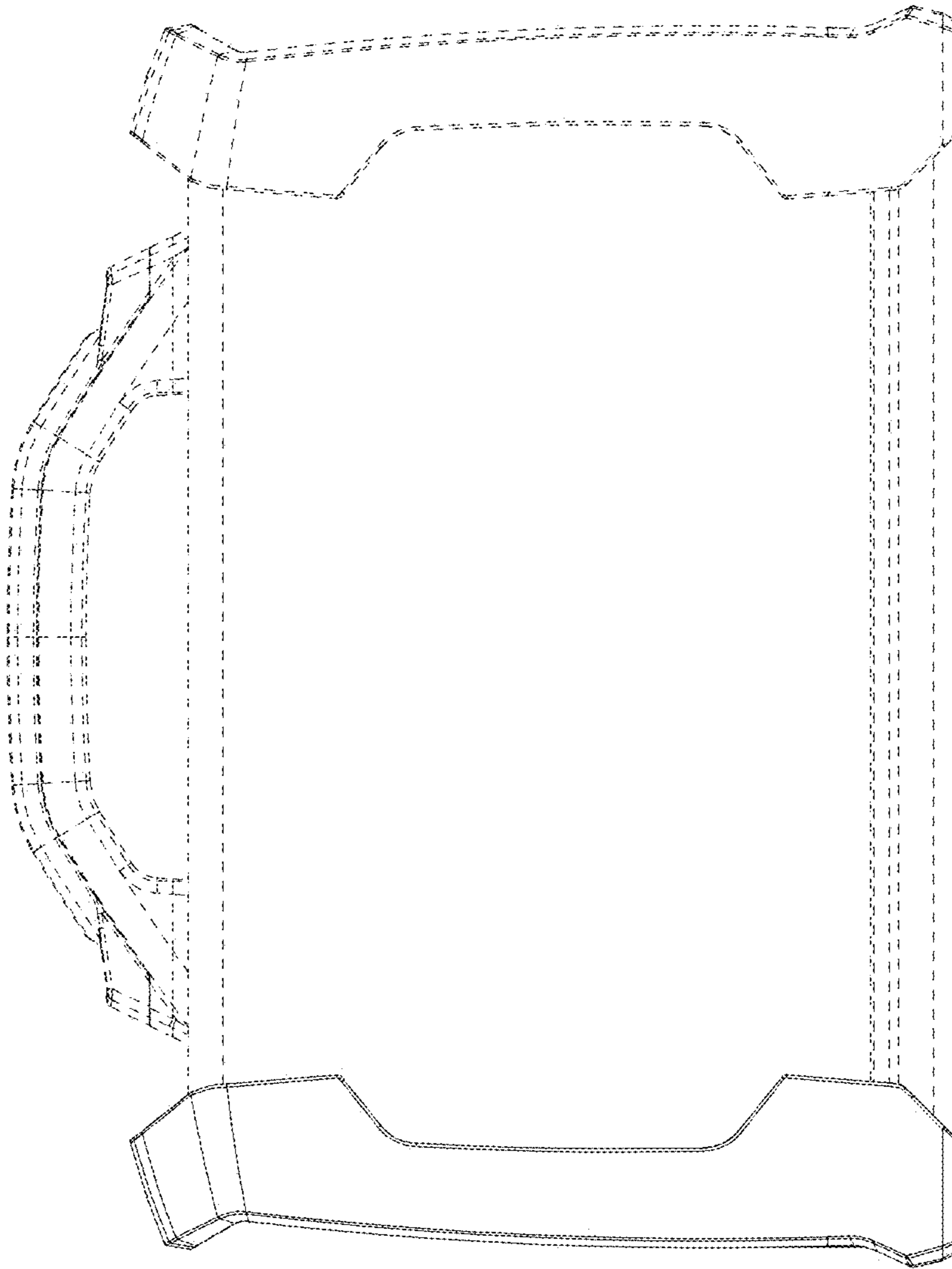


FIG.6

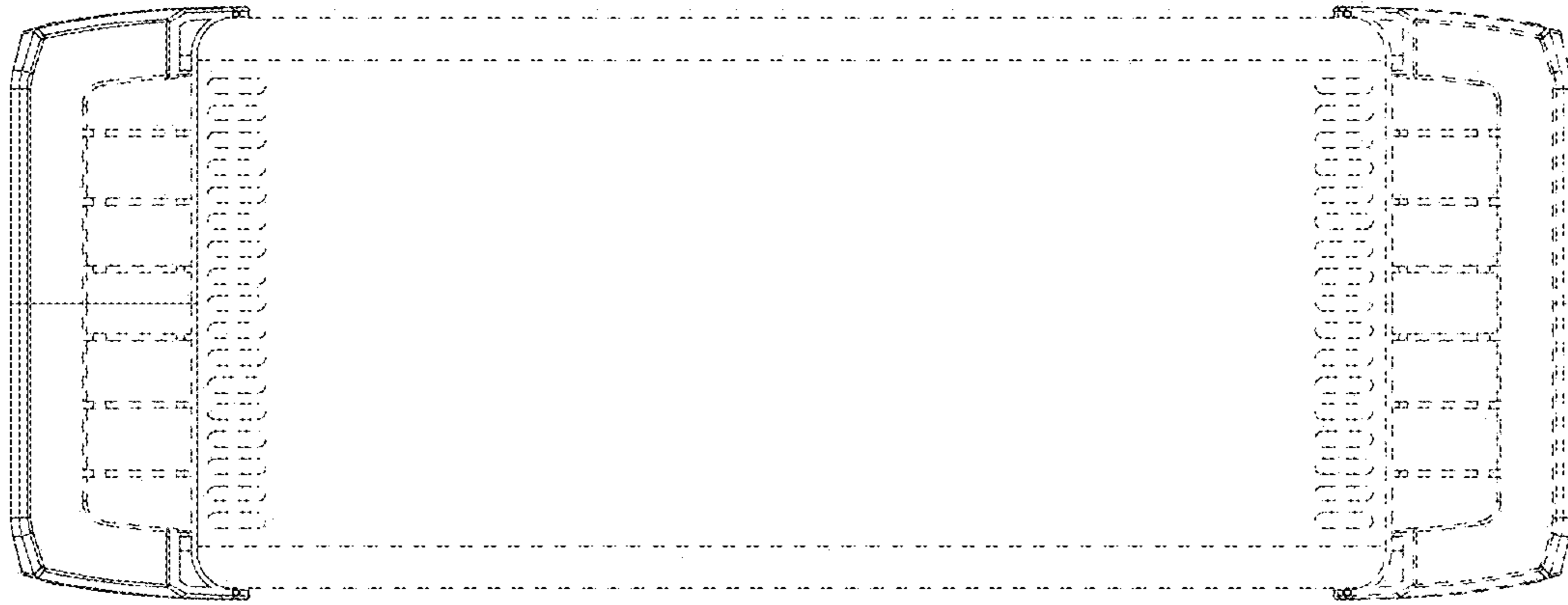


FIG.8

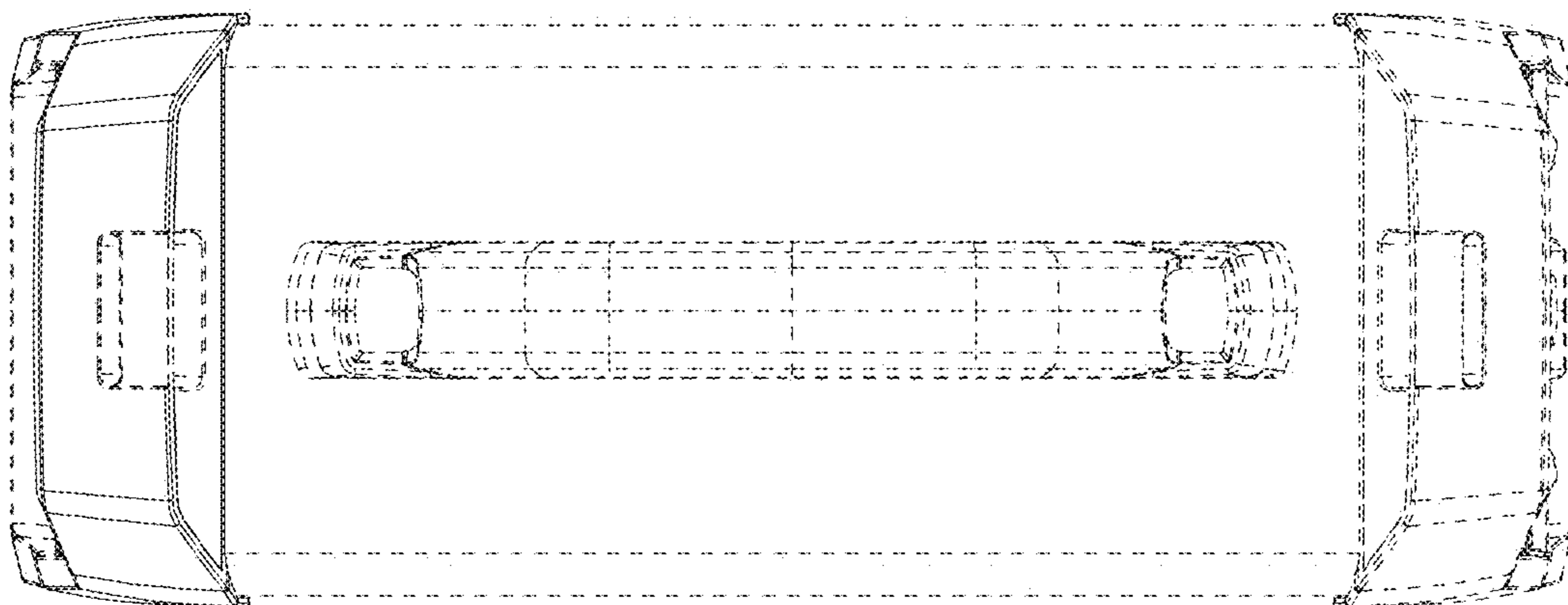


FIG.7