



US00D935498S

(12) **United States Design Patent** (10) **Patent No.:** **US D935,498 S**
Schleicher et al. (45) **Date of Patent:** **** Nov. 9, 2021**

(54) **CUTTING INSERT**
(71) Applicant: **Kennametal Inc.**, Latrobe, PA (US)
(72) Inventors: **Sebastian Schleicher**, Fuerth (DE);
Konrad Spitzenberger, Fuerth (DE)
(73) Assignee: **KENNAMETAL INC.**, Latrobe, PA
(US)
(**) Term: **15 Years**

D805,566 S * 12/2017 Oh D15/139
D807,935 S * 1/2018 Dudzinsky B23C 5/2221
D15/139
D812,116 S * 3/2018 Choi D15/139
D815,164 S * 4/2018 Schleicher D15/139
D832,319 S * 10/2018 Muthuswamy D15/139
D835,167 S * 12/2018 Sakai D15/139
D845,361 S * 4/2019 Komiyama D15/139
D847,883 S * 5/2019 Kobayashi D15/139
D898,085 S * 10/2020 Kim D15/139
D907,670 S * 1/2021 Nagafuchi D15/139
D921,075 S * 6/2021 Park D15/139
D922,460 S * 6/2021 Park D15/139

(21) Appl. No.: **29/736,176**
(22) Filed: **May 28, 2020**
(51) **LOC (13) Cl.** **15-09**
(52) **U.S. Cl.**
USPC **D15/139**
(58) **Field of Classification Search**
USPC D15/139
CPC ... B23C 5/06; B23C 5/2221; Y10T 407/1936;
Y10T 407/23
See application file for complete search history.

FOREIGN PATENT DOCUMENTS

WO WO-2007057113 A1 * 5/2007 B23C 5/202
* cited by examiner

Primary Examiner — Michael C Stout
Assistant Examiner — Fritzgerald L Butac
(74) *Attorney, Agent, or Firm* — Christopher Owens

(57) **CLAIM**

The ornamental design for a cutting insert, as shown and described.

(56) **References Cited**

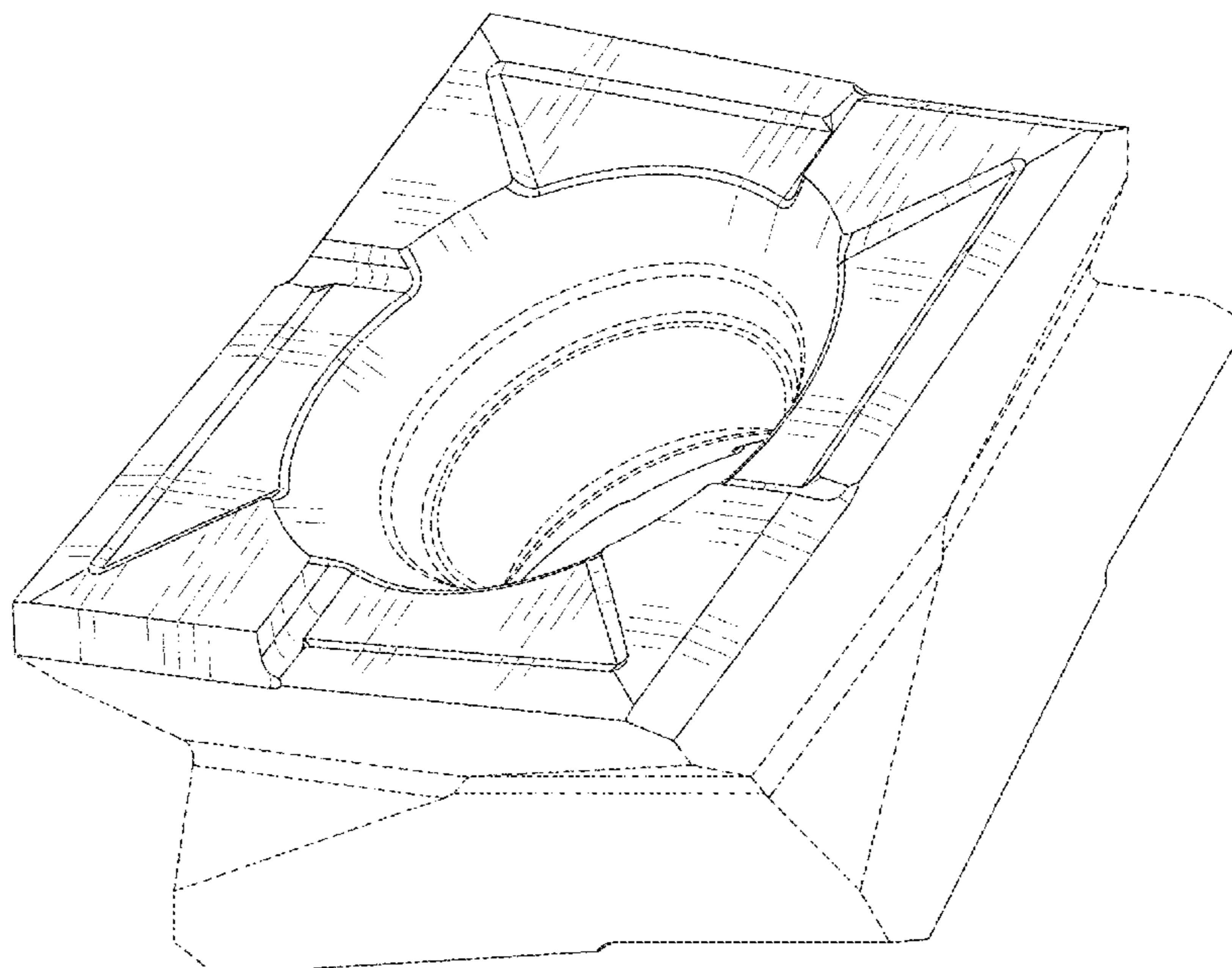
U.S. PATENT DOCUMENTS

D278,716 S * 5/1985 Pano D15/139
D426,561 S * 6/2000 Brosnahan D15/139
D426,562 S * 6/2000 Kasperik D15/139
D426,839 S * 6/2000 Morrison D15/139
D427,215 S * 6/2000 Nelson D15/139
D631,493 S * 1/2011 Tanaka D15/139
D633,535 S * 3/2011 Tanaka D15/139
D692,036 S * 10/2013 Schleicher D15/139
D700,225 S * 2/2014 Waggle D15/139
D700,640 S * 3/2014 Choi D15/139
D736,841 S * 8/2015 Jung D15/139
D748,703 S * 2/2016 Nam D15/139
D772,319 S * 11/2016 Nam D15/139
D805,116 S * 12/2017 Fukuyama D15/139

DESCRIPTION

FIG. 1 is an isometric view of a cutting insert showing the new design;
FIG. 2 is a front view thereof;
FIG. 3 is a rear view thereof;
FIG. 4 is a left side view thereof;
FIG. 5 is a right side view thereof;
FIG. 6 is a top view thereof; and,
FIG. 7 is a bottom view thereof.
The broken lines show portions of the cutting insert that form no part of the claimed design.

1 Claim, 5 Drawing Sheets



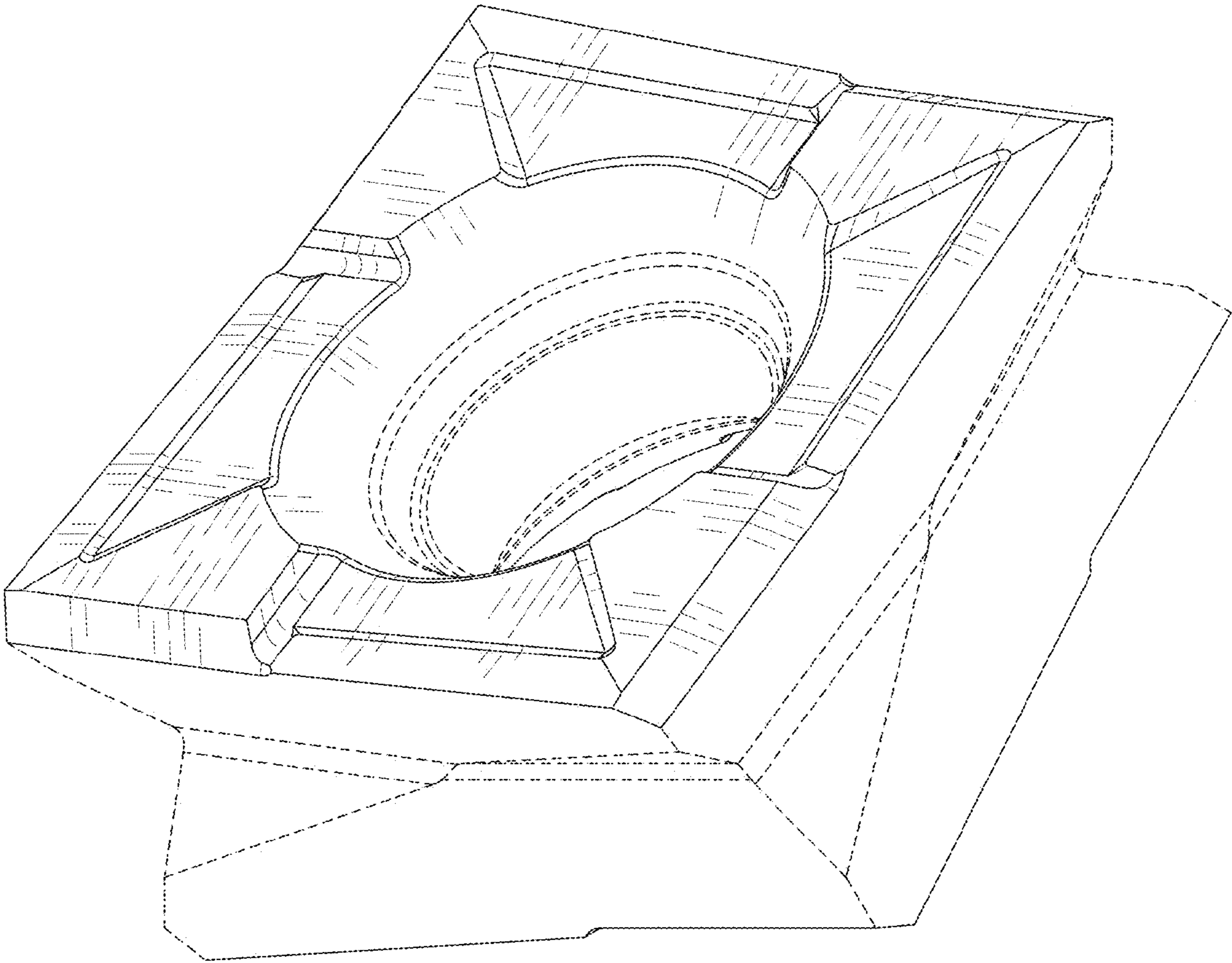


FIG. 1

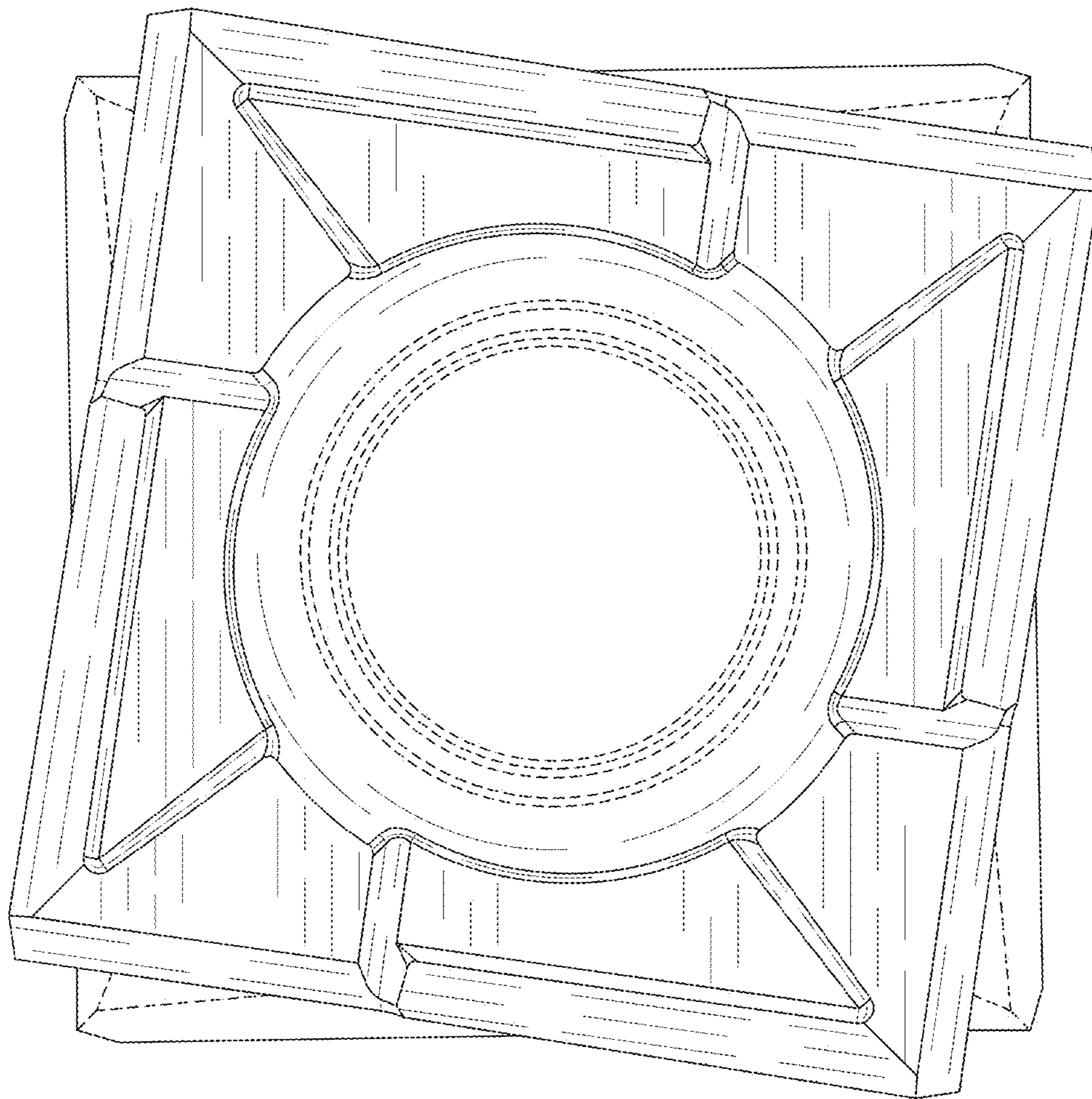


FIG. 2

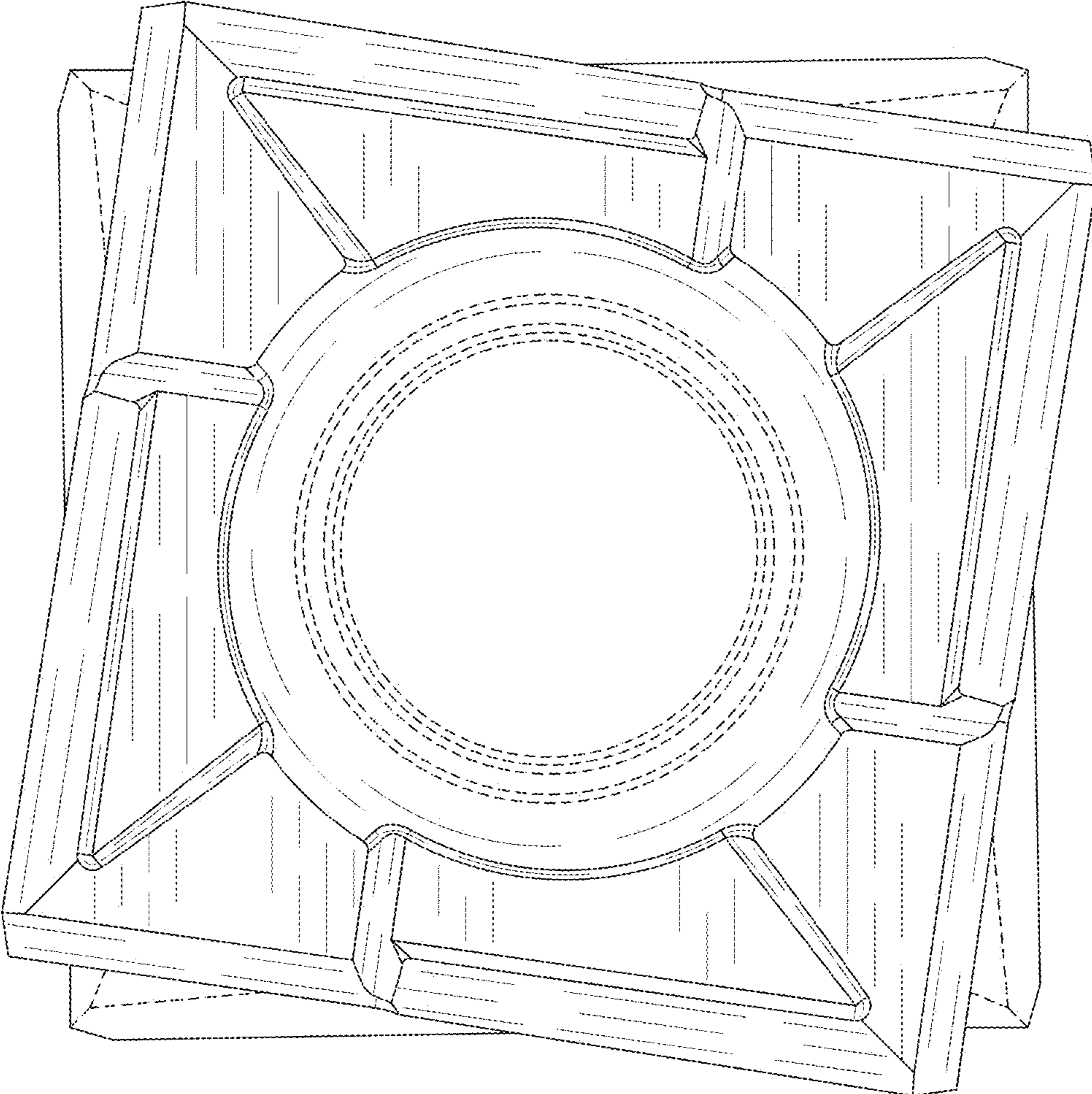


FIG. 3

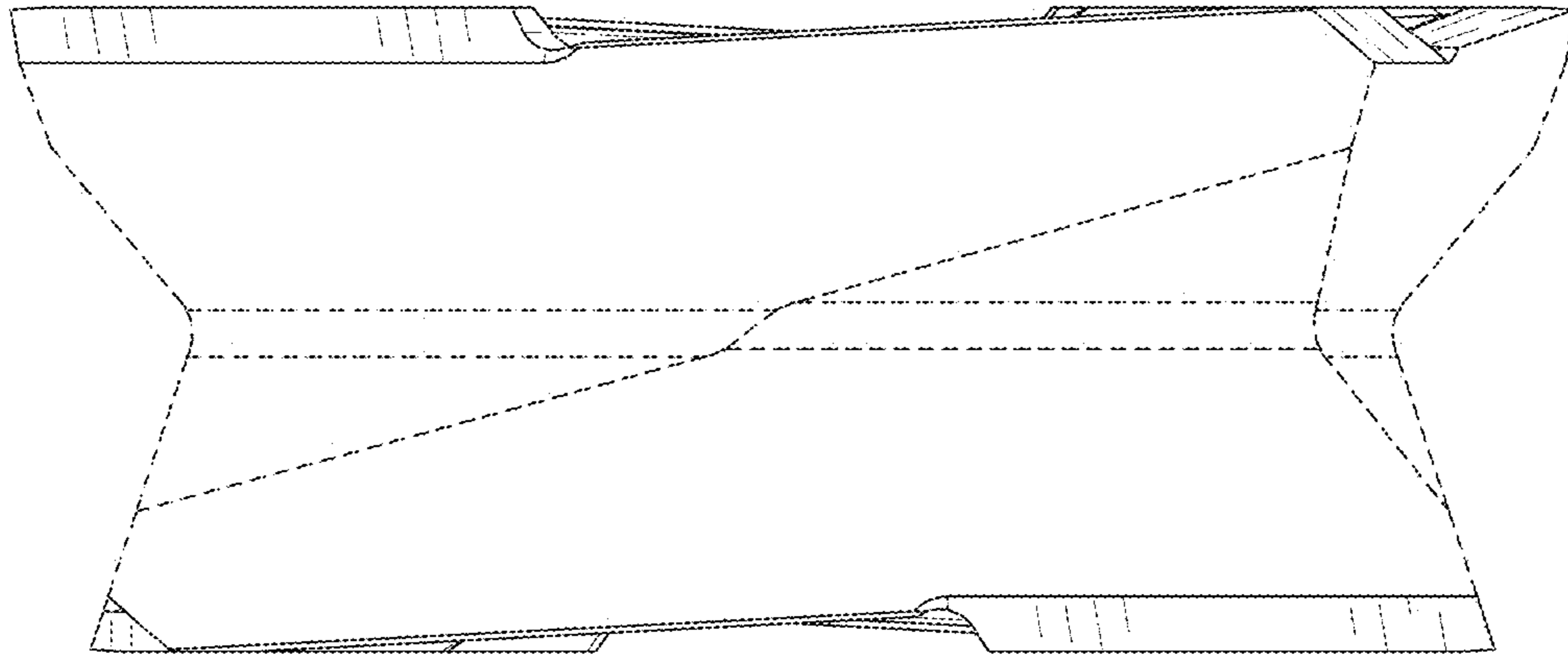


FIG. 4

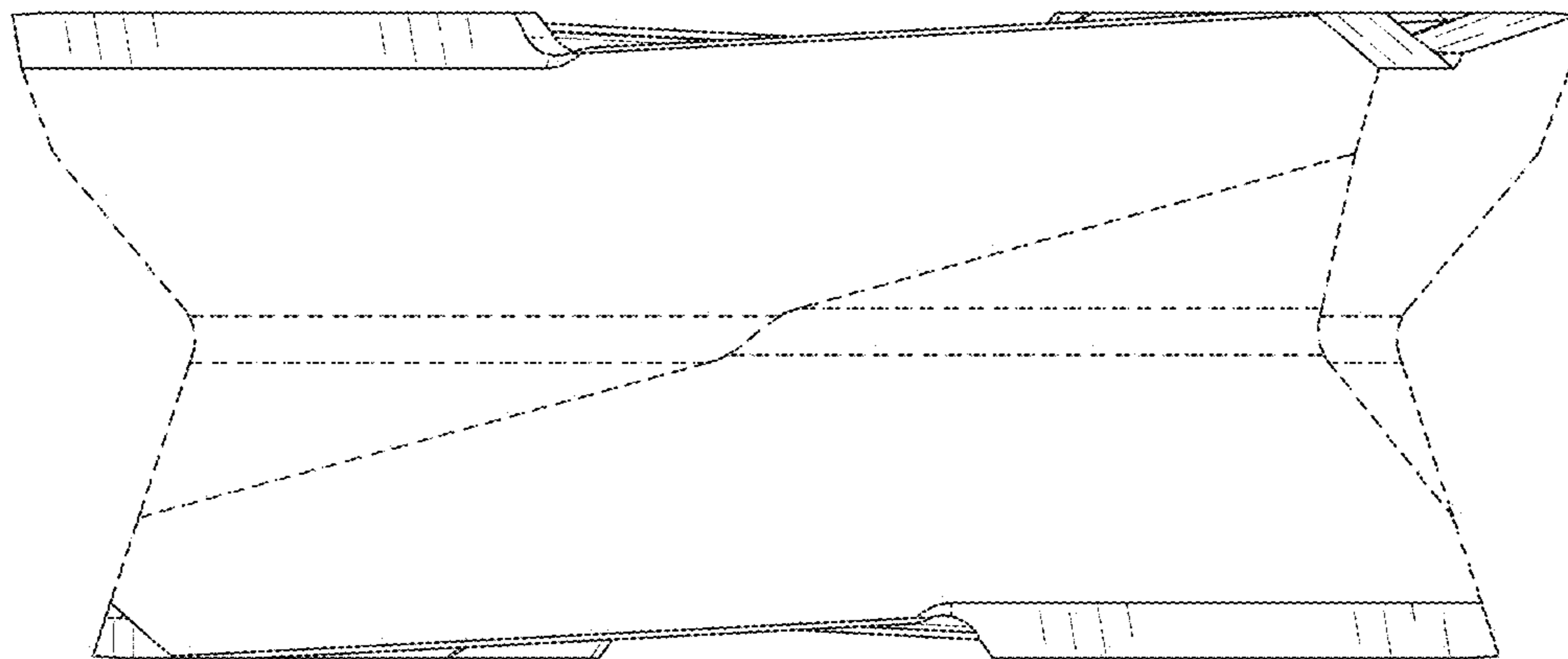


FIG. 5

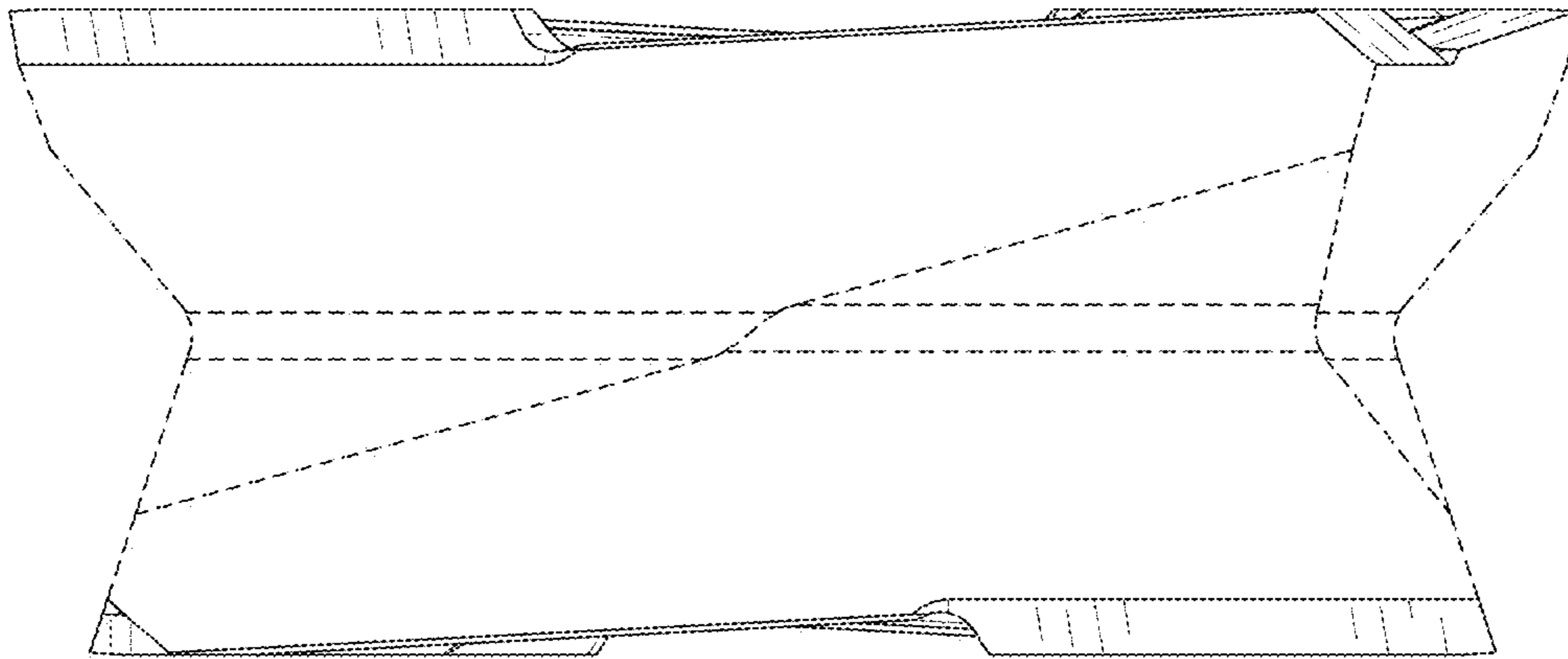


FIG. 6

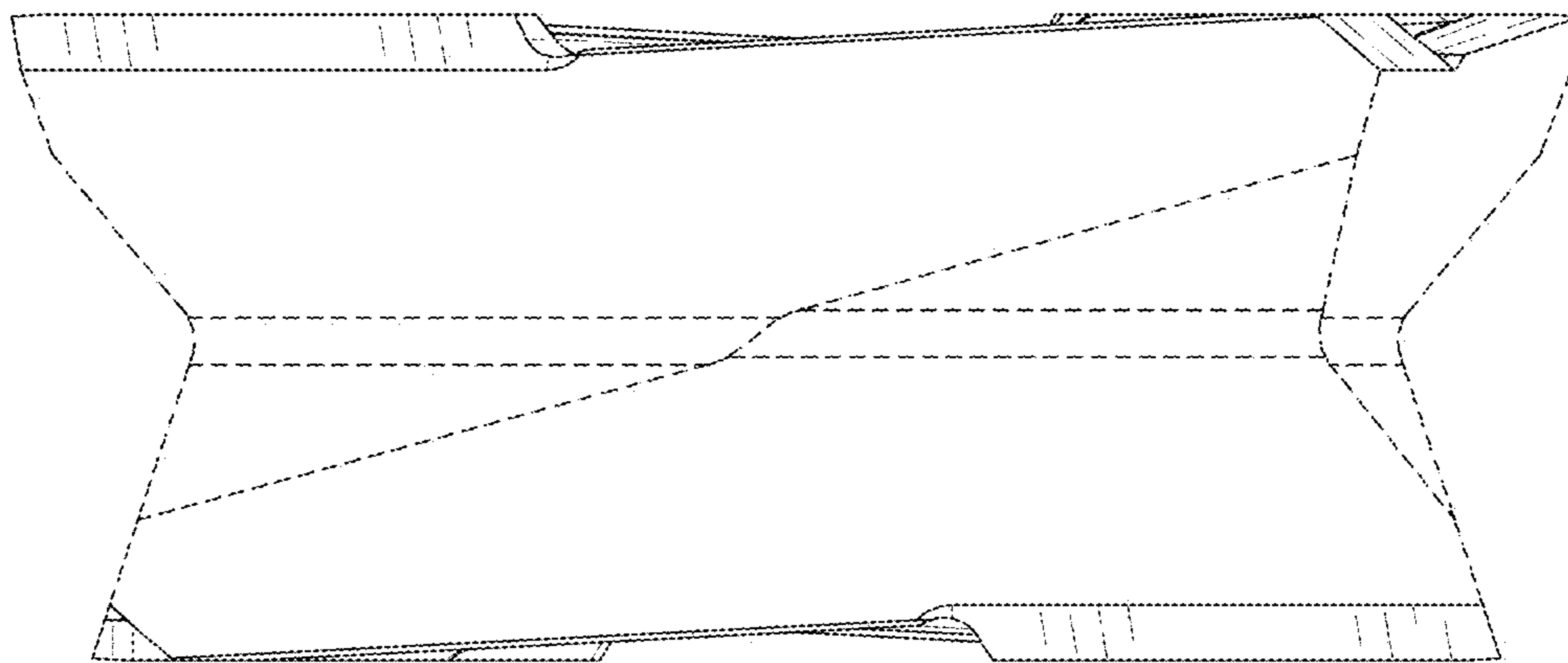


FIG. 7