



US00D935496S

(12) **United States Design Patent**
Kremerman

(10) **Patent No.:** **US D935,496 S**

(45) **Date of Patent:** **** Nov. 9, 2021**

- (54) **SPINNER**
- (71) Applicant: **Elliot Kremerman**, Los Gatos, CA
(US)
- (72) Inventor: **Elliot Kremerman**, Los Gatos, CA
(US)
- (**) Term: **15 Years**
- (21) Appl. No.: **29/801,898**
- (22) Filed: **Aug. 2, 2021**
- (51) **LOC (13) Cl.** **15-09**
- (52) **U.S. Cl.**
USPC **D15/138**
- (58) **Field of Classification Search**
USPC D13/183; D15/122, 138, 147, 199;
D24/216, 220
CPC B01D 3/085; B01F 9/0034; B01F 9/10;
B01F 13/08; B01F 15/065; B01F
15/00175; B01F 15/06; B01F 2015/062;
B01L 9/00; C10B 1/10
See application file for complete search history.

(56) **References Cited**

U.S. PATENT DOCUMENTS

2,459,224 A	1/1949	Hendricks	A47J 43/0465 366/274
2,518,758 A	8/1950	Cook	B01F 13/0818 366/274
2,619,606 A	11/1952	Morrison, Jr.	H02K 49/00 310/103
2,842,654 A	7/1958	Anderson	B01L 7/00 219/433
2,951,689 A	9/1960	Asp	B01F 13/0818 416/3
3,028,476 A	4/1962	Hug	H02K 49/108 219/443.1
3,138,370 A	6/1964	Anderson	B01F 13/0818 366/274

3,140,079 A	7/1964	Baermann	A47J 43/0465 366/274
3,168,294 A	2/1965	Tadashi	B01F 13/0827 366/206
3,206,173 A *	9/1965	Burger	B01F 7/00475 366/274
3,211,433 A	10/1965	Chrostowski	B01F 13/0818 366/274
3,384,353 A	5/1968	Worth	B01F 13/0818 366/274
3,433,465 A	3/1969	Szpur	B01F 13/0818 366/149
3,554,497 A	1/1971	Zipperer	B01F 13/0818 366/110
3,570,819 A	3/1971	Rosinger	B01F 15/00915 366/274
4,162,855 A	7/1979	Bender	A47J 43/0465 366/274

(Continued)

Primary Examiner — Patricia A Palasik
(74) *Attorney, Agent, or Firm* — Michael J. Feigin, Esq.;
Feigin and Fridman LLC

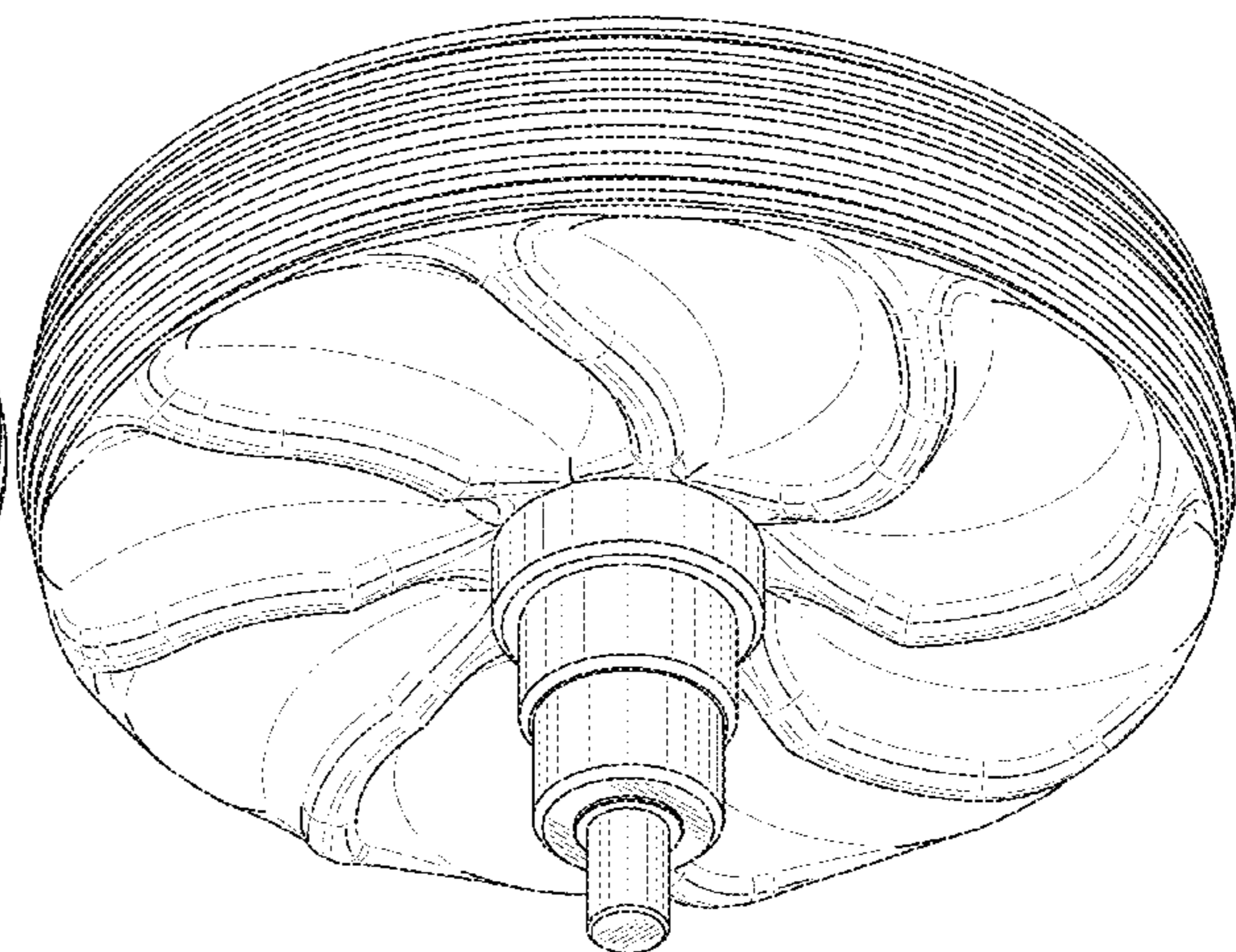
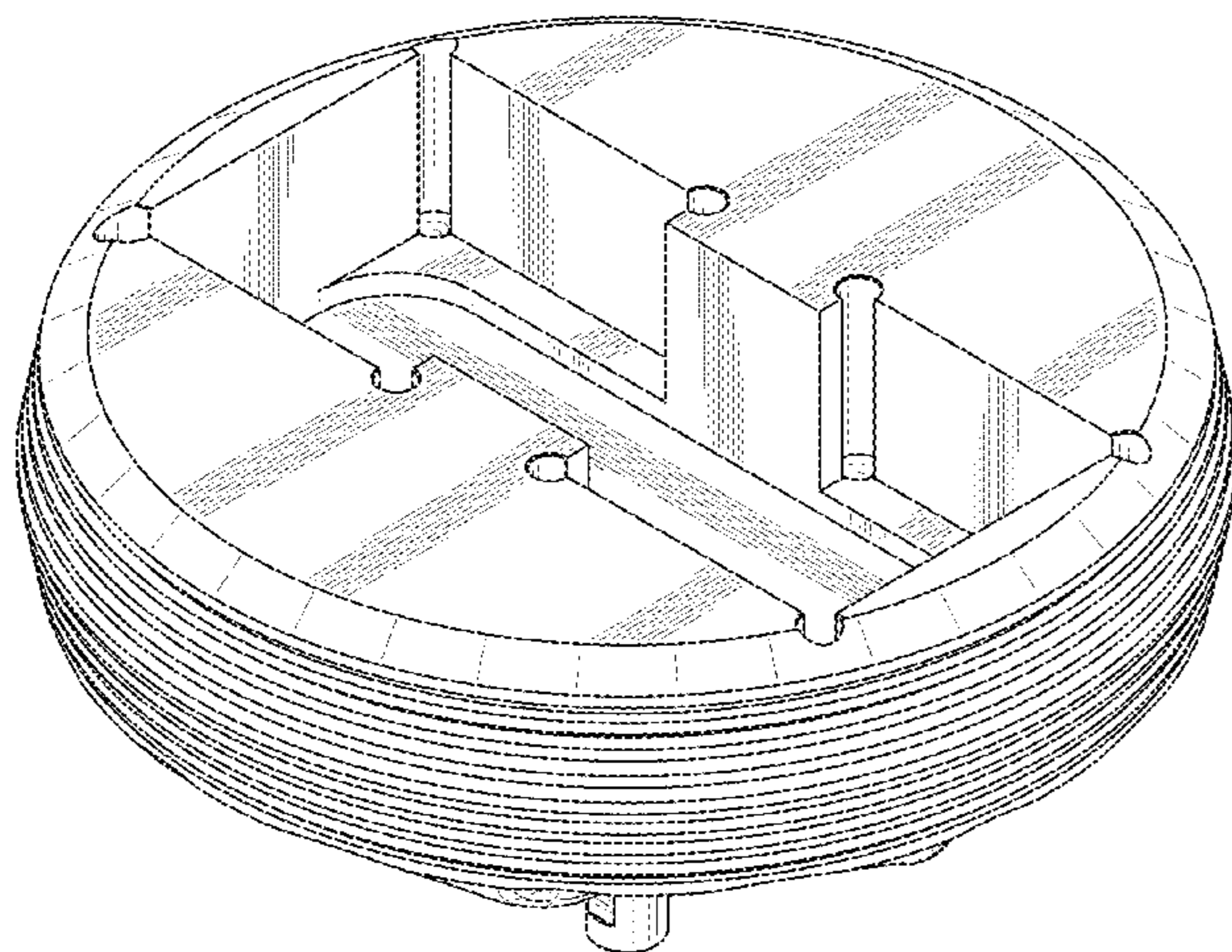
(57) **CLAIM**

The ornamental design for a spinner, as shown and described.

DESCRIPTION

FIG. 1 shows a top and side perspective view of a spinner. FIG. 2 shows a reverse bottom and side perspective view thereof. FIG. 3 shows a first elevation view thereof. FIG. 4 shows a second elevation view thereof. FIG. 5 shows a third elevation view thereof. FIG. 6 shows a fourth elevation view thereof. FIG. 7 shows a top plan view thereof. FIG. 8 shows a bottom plan view thereof; and, FIG. 9 shows a sectional view cut along section line 9-9 of FIG. 7.

1 Claim, 7 Drawing Sheets



(56)

References Cited

U.S. PATENT DOCUMENTS

4,199,265 A	4/1980	Sanderson	B01F 13/0818	366/274	6,793,167 B2	9/2004	Karkos, Jr.	A23G 9/045	241/101.2
4,568,195 A	2/1986	Herz	B01F 13/0818	366/274	6,905,656 B1	6/2005	Ladlow	B01F 13/0818	366/273
4,569,632 A	2/1986	Gray, III				7,086,778 B2	8/2006	Terentiev	B01F 7/00908	366/273
4,702,888 A *	10/1987	Borgialli	B01F 15/00396	366/307	D558,888 S	1/2008	Ware	D24/216	
4,759,635 A	7/1988	MacMichael	B01F 13/0818	366/247	7,575,498 B2 *	8/2009	Perry	A63H 33/26	446/138
4,911,555 A	3/1990	Saffer	B01F 13/0818	366/274	D782,544 S	3/2017	Seto et al.			
4,948,409 A	8/1990	Chenoweth	C03B 37/045	425/8	D831,846 S	10/2018	Fu	D24/232	
4,971,520 A	11/1990	Van Houten				D848,485 S	5/2019	Kurokawa et al.			
4,993,841 A	2/1991	Lofgren	B01F 13/0827	366/274	D881,998 S	4/2020	Lam	D21/455	
5,359,846 A *	11/1994	Miyamoto	D01H 4/40	57/417	2008/0013400 A1	1/2008	Andrews	B01F 13/0818	366/147
5,529,391 A	6/1996	Kindman	B01F 13/0818	366/145	2008/0067164 A1 *	3/2008	Kuo	B23K 3/027	219/242
6,039,469 A *	3/2000	Palmer	B01F 7/042	366/301	2013/0114370 A1	5/2013	Ma	B01F 13/0818	366/272
D426,312 S	6/2000	Gomes	D24/220		2014/0376328 A1 *	12/2014	Ikushima	B01F 13/08	366/191
D446,295 S	8/2001	Williams et al.				2015/0117138 A1 *	4/2015	Pozzan	B28C 5/166	366/145
6,416,215 B1	7/2002	Terentiev	F16C 32/0438	366/273	2015/0367302 A1	12/2015	Gebauer	B01F 13/089	366/274
						2019/0134583 A1 *	5/2019	Lautenschlager ...		B01F 13/0818	
						2019/0246724 A1	8/2019	Adams	A44B 1/04	
						2021/0071671 A1	3/2021	Kremerman	H02K 49/104	
						2021/0190074 A1	6/2021	Kremerman	F04D 13/0613	

* cited by examiner

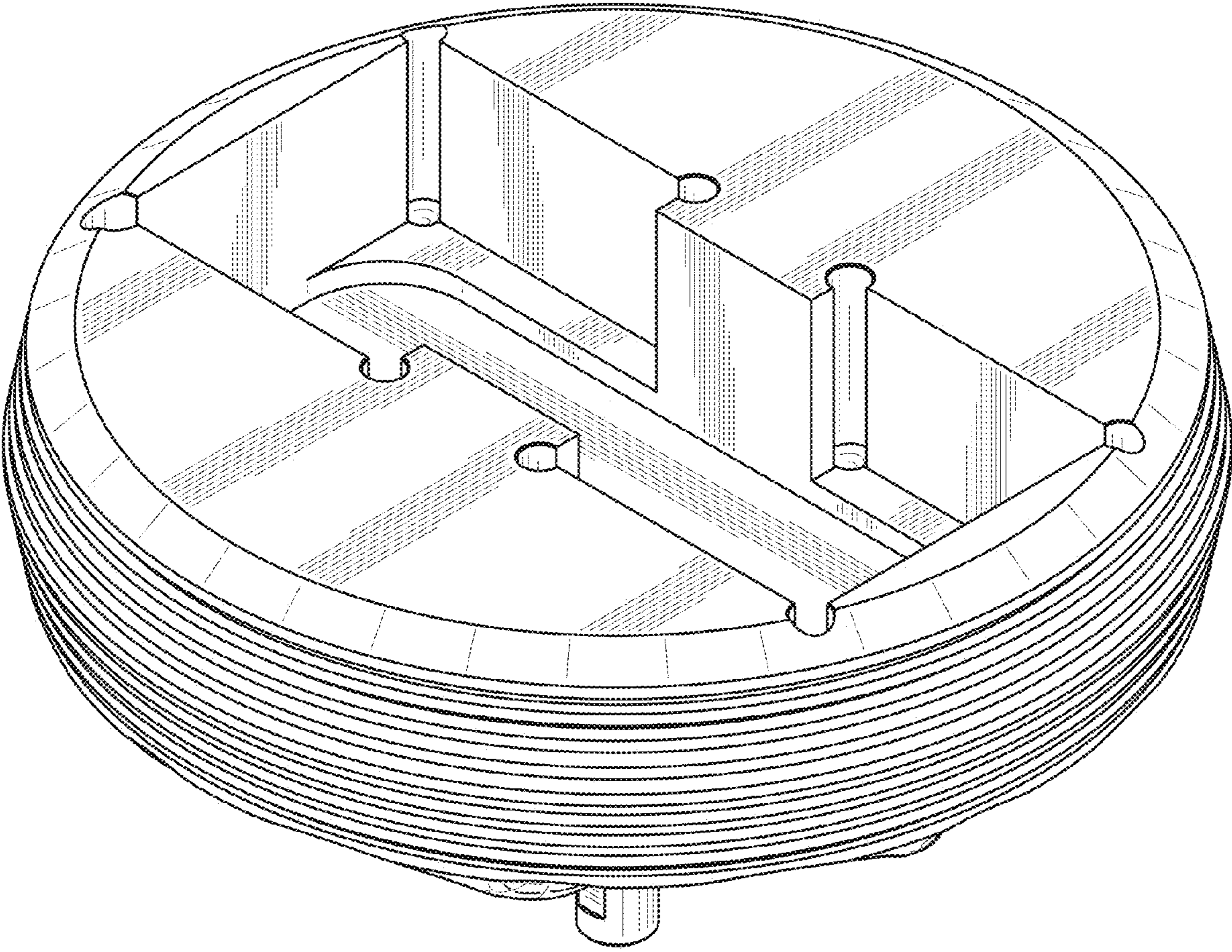


FIG. 1

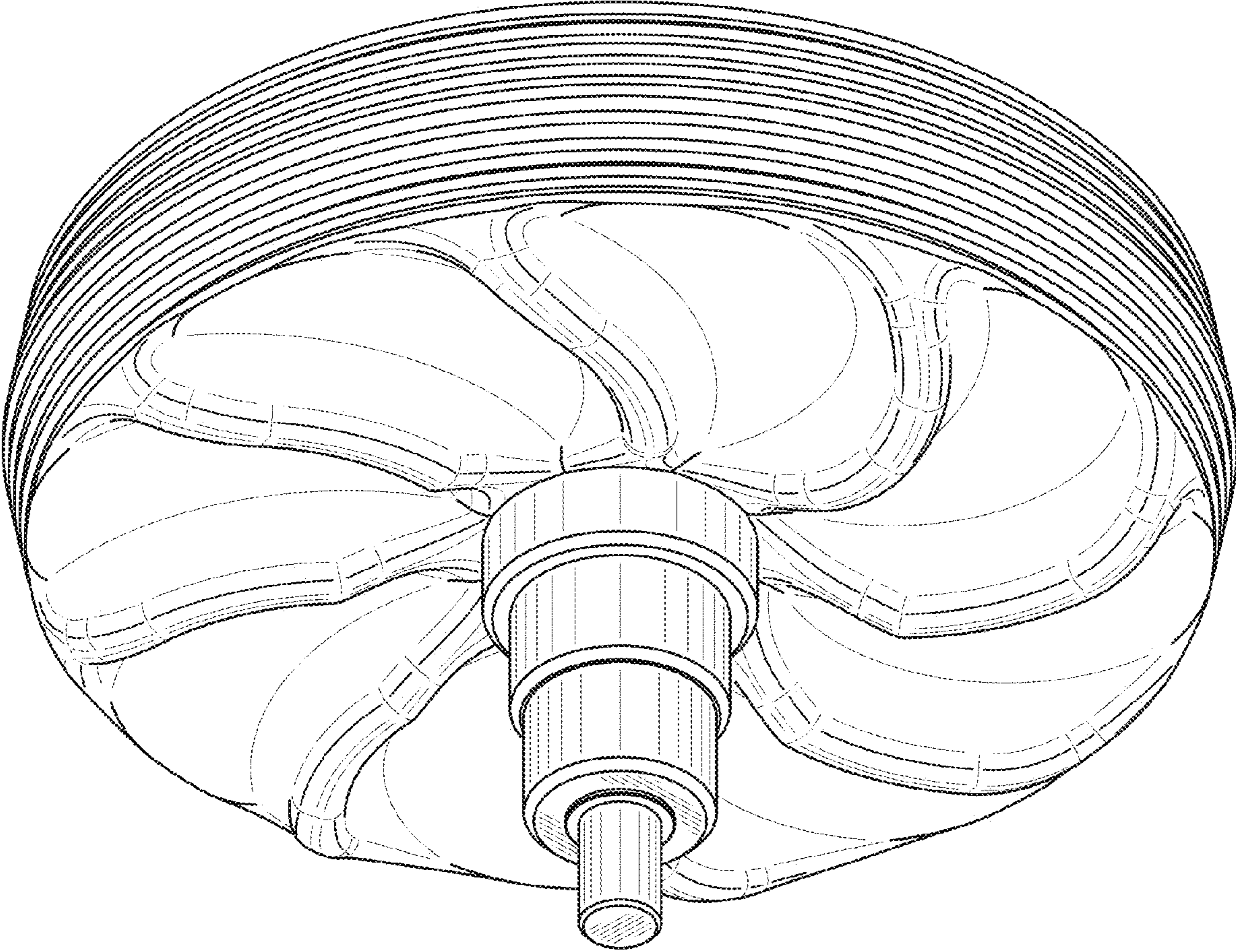


FIG. 2

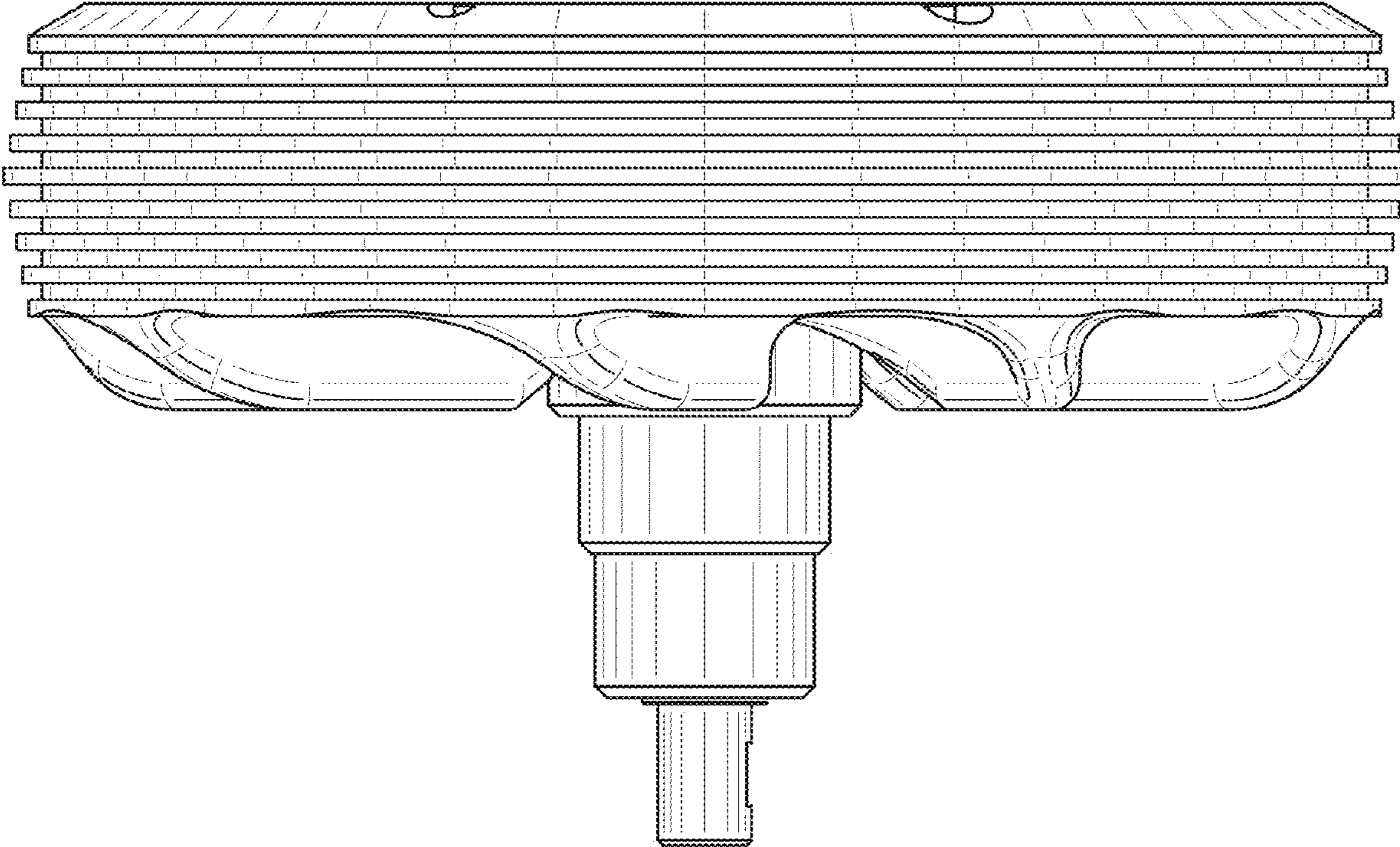


FIG. 3

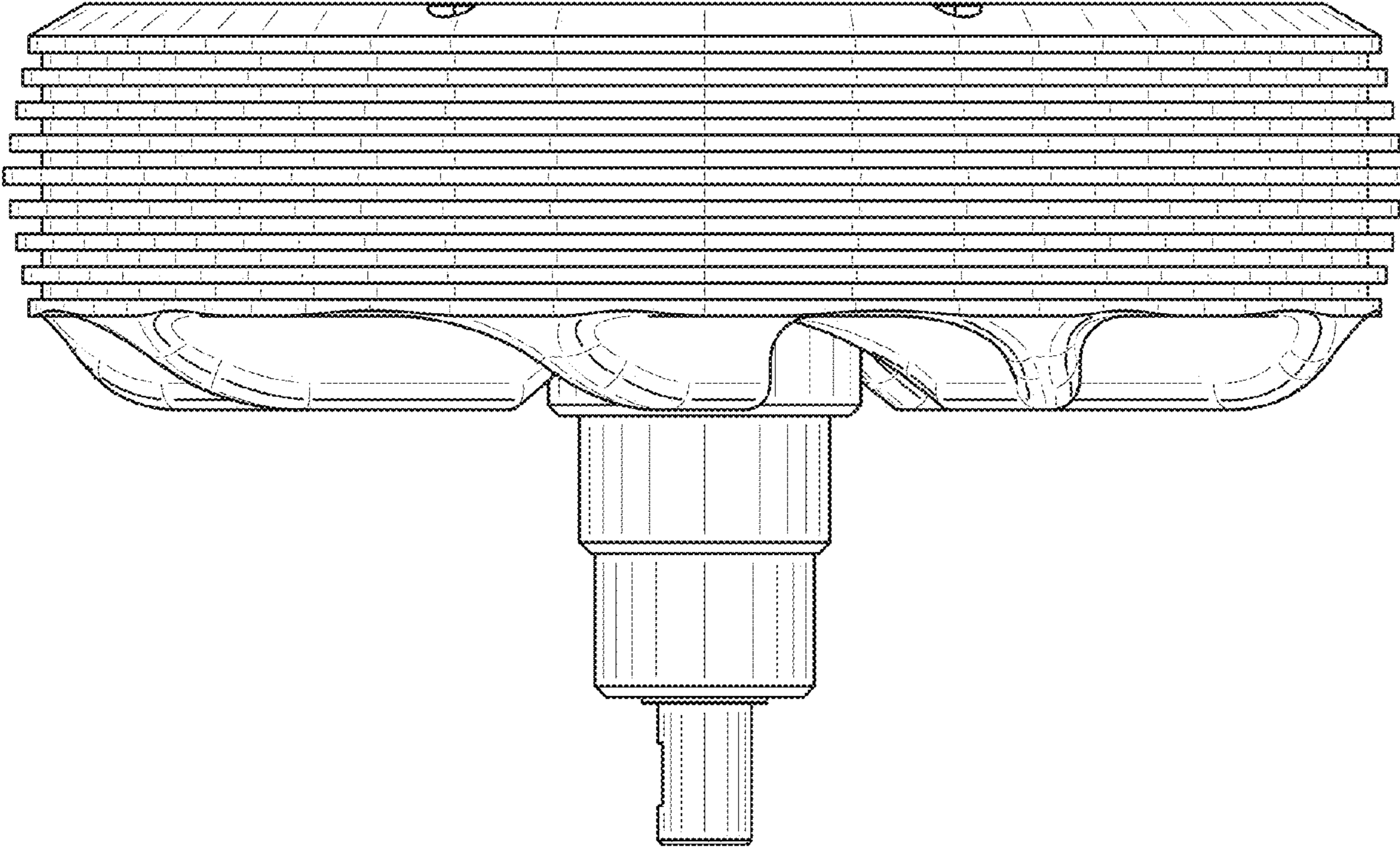


FIG. 4

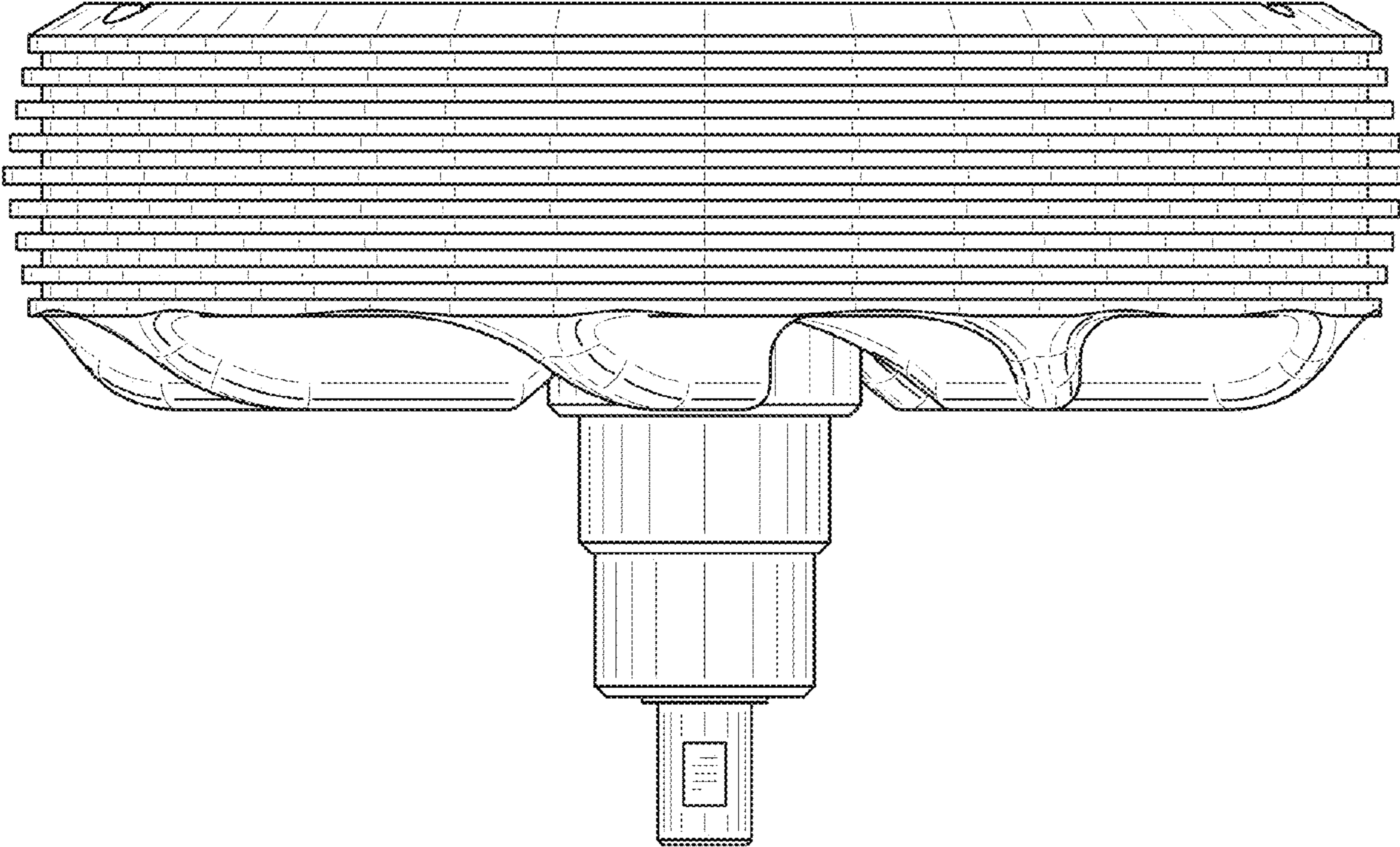


FIG. 5

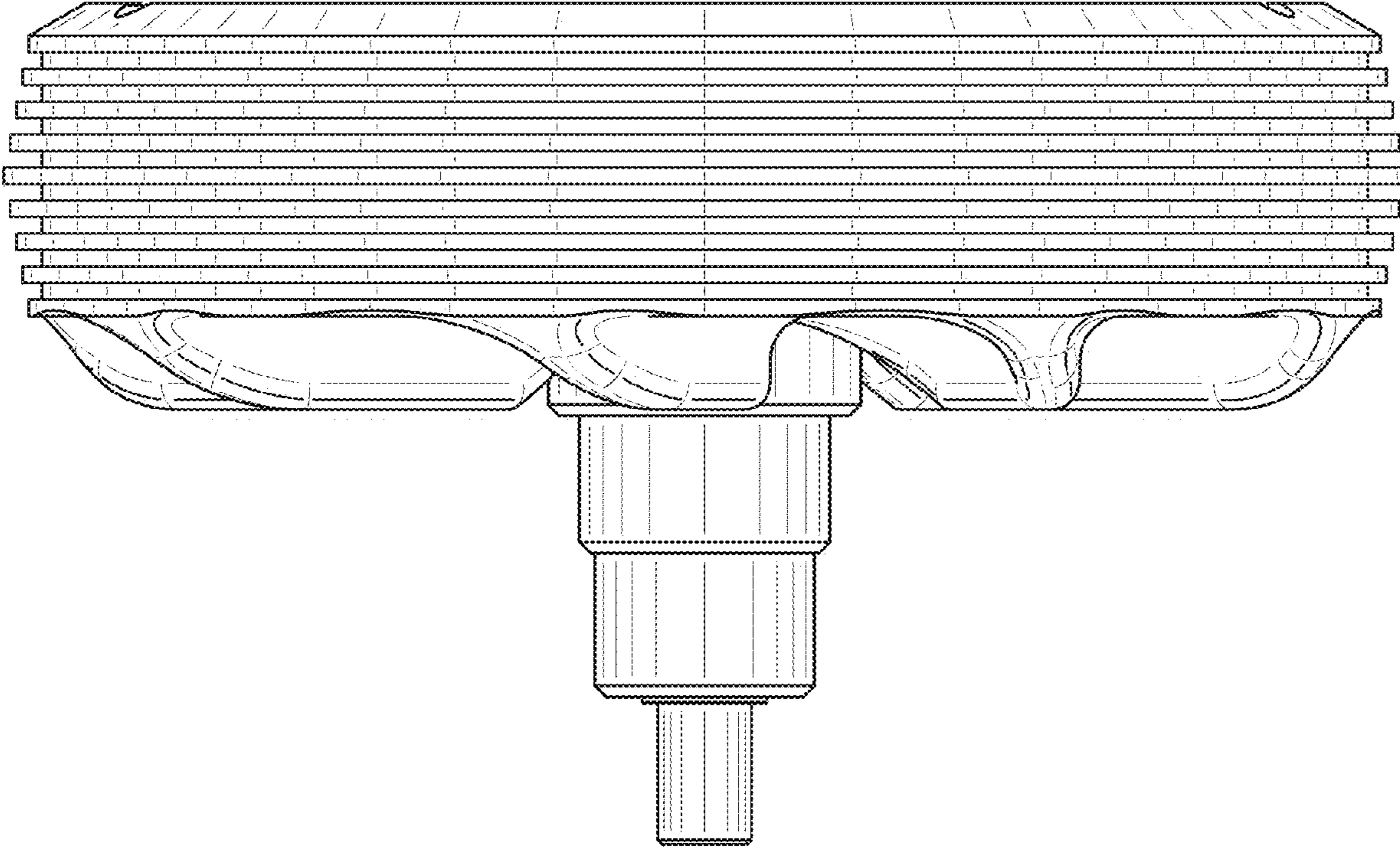


FIG. 6

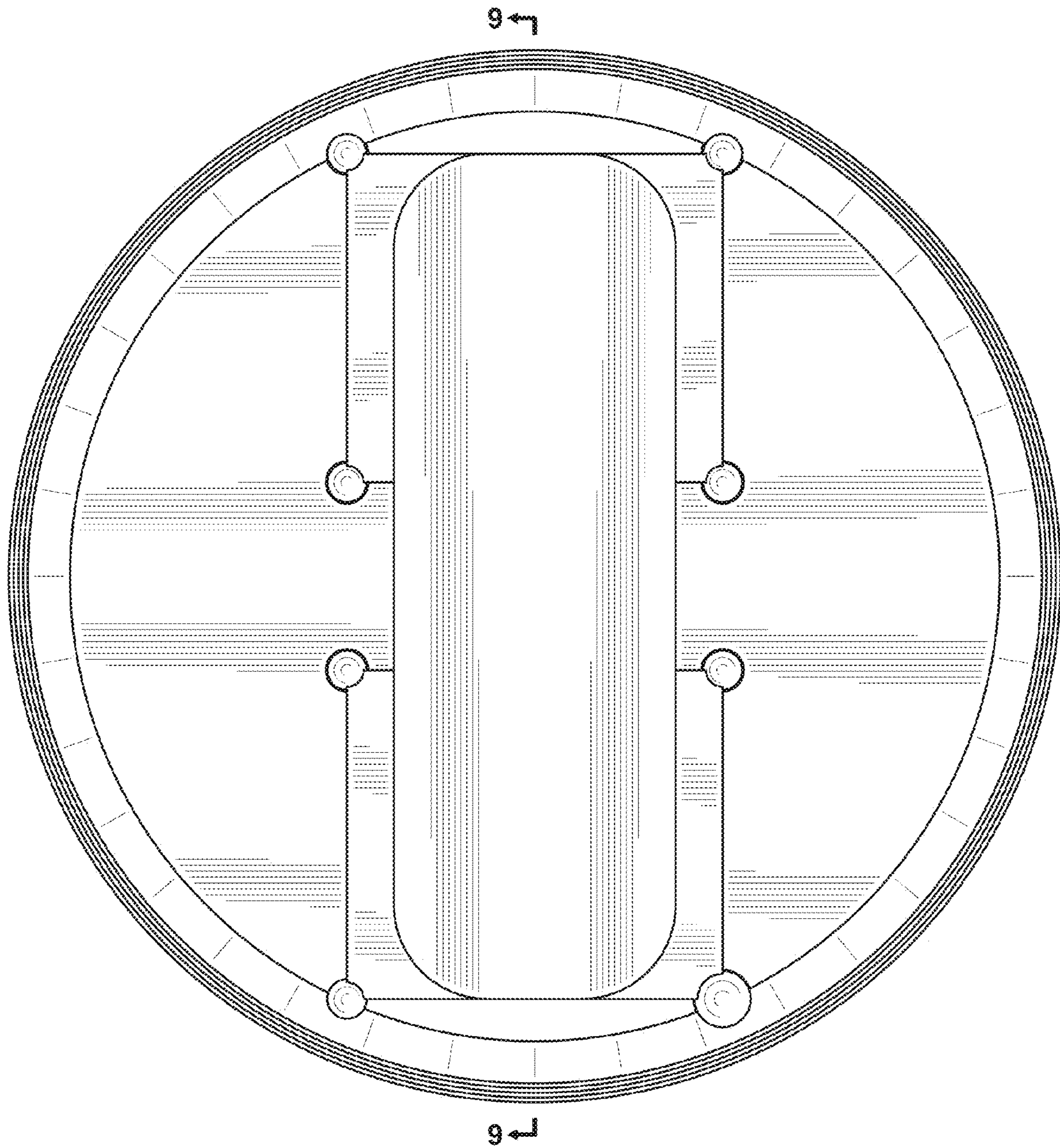


FIG. 7

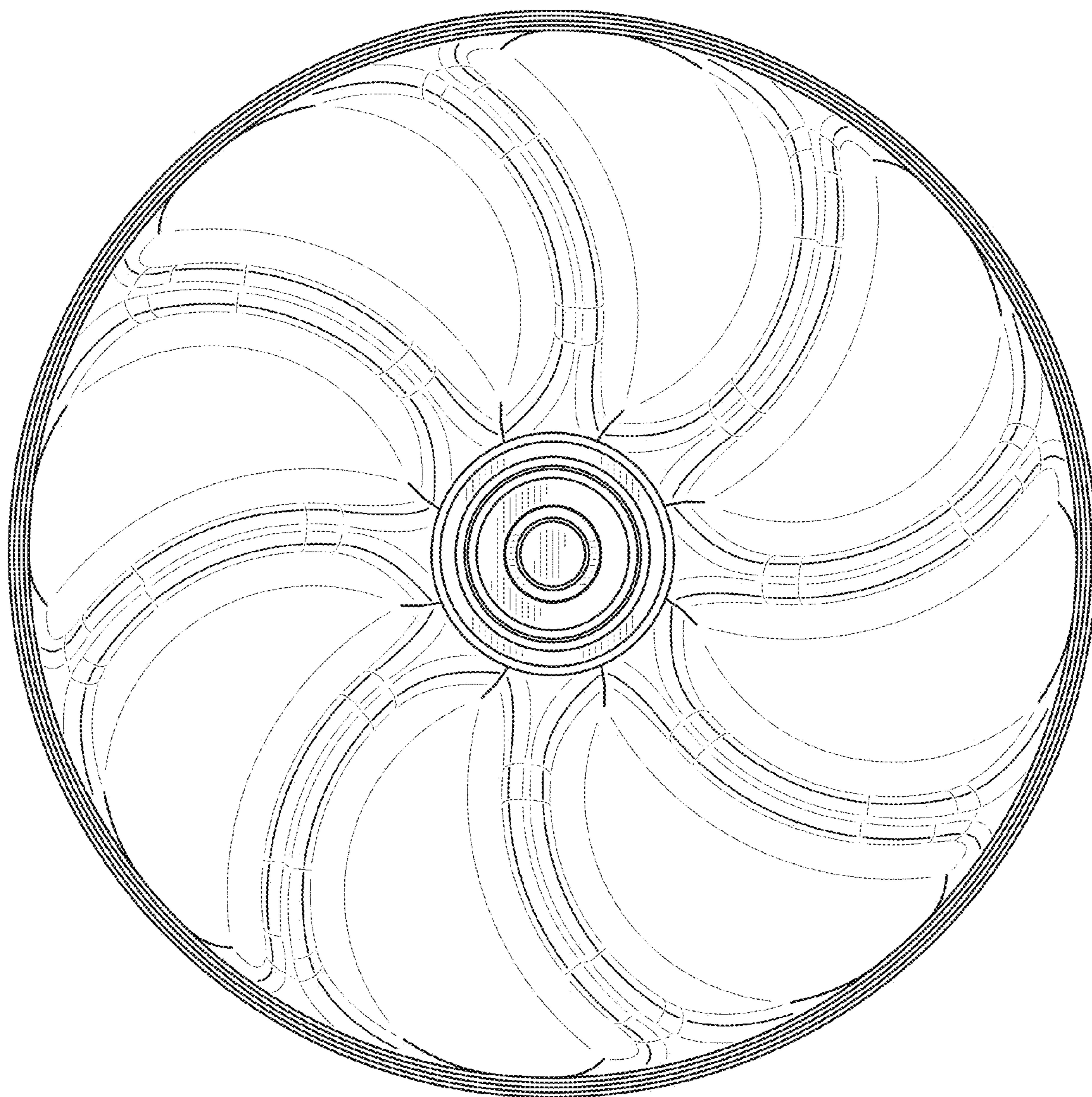


FIG. 8

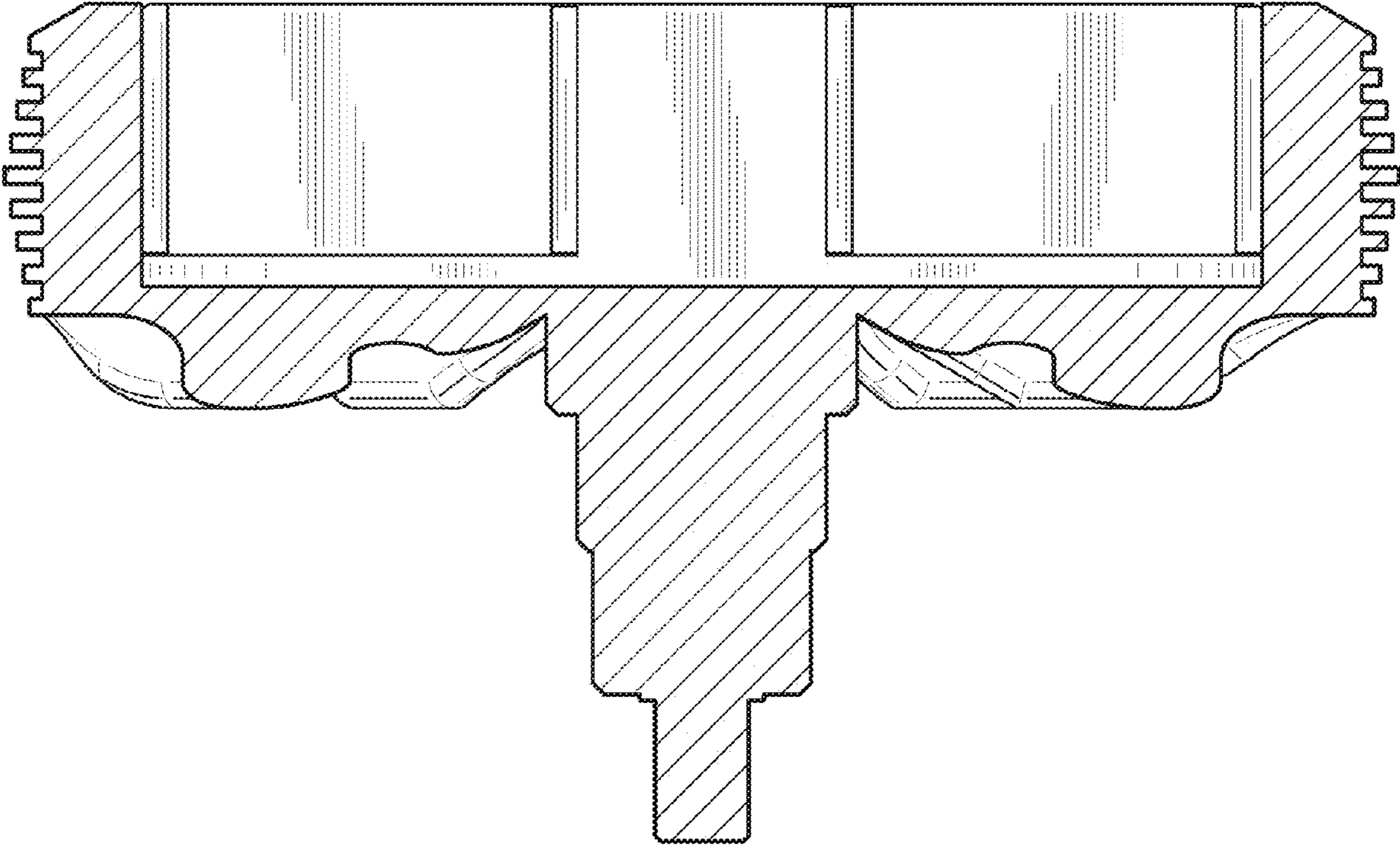


FIG. 9