



US00D935493S

(12) **United States Design Patent** (10) **Patent No.:** **US D935,493 S**  
**Cheng** (45) **Date of Patent:** **\*\* Nov. 9, 2021**

(54) **HEAT TRANSFER MACHINE**  
(71) Applicant: **Zhi-Gang Cheng**, Shaoshan (CN)  
(72) Inventor: **Zhi-Gang Cheng**, Shaoshan (CN)  
(\*\*) Term: **15 Years**  
(21) Appl. No.: **29/757,217**  
(22) Filed: **Nov. 4, 2020**  
(51) **LOC (13) Cl.** ..... **15-09**  
(52) **U.S. Cl.**  
USPC ..... **D15/122; D14/146**  
(58) **Field of Classification Search**  
USPC ..... D15/122, 123, 145, 146; D32/70  
CPC ..... B30B 1/04; B30B 15/04; B30B 15/18;  
B30B 15/048; B30B 15/064; B30B  
15/287; B30B 15/0094; B32B 37/06;  
B32B 37/0053; B32B 2309/02; B41F  
16/00; B41F 16/02; B41F 16/026  
See application file for complete search history.

D875,148 S \* 2/2020 Galkin ..... D15/146  
D875,149 S \* 2/2020 Galkin ..... D15/146  
D893,563 S \* 8/2020 Crisp ..... D15/122  
D893,566 S \* 8/2020 Chen ..... D15/122  
D910,724 S \* 2/2021 Chen ..... D15/122  
2003/0074948 A1\* 4/2003 Kanamaru ..... B30B 15/04  
72/455  
2016/0250816 A1\* 9/2016 Robinson ..... B44C 1/1729  
100/35  
2017/0314177 A1\* 11/2017 Komiya ..... D06C 7/00

**FOREIGN PATENT DOCUMENTS**

CN 305689385 4/2020

\* cited by examiner

*Primary Examiner* — Patricia A Palasik

(74) *Attorney, Agent, or Firm* — ScienBiziP, P.C.

(57) **CLAIM**

The ornamental design for a heat transfer machine, as shown and described.

**DESCRIPTION**

FIG. 1 is a front perspective view of the heat transfer machine showing my design.

FIG. 2 is a bottom rear perspective view of the heat transfer machine.

FIG. 3 is a front elevation view thereof.

FIG. 4 is a rear elevation view thereof.

FIG. 5 is a left side elevation view thereof.

FIG. 6 is a right side elevation view thereof.

FIG. 7 is a top plan view thereof.

FIG. 8 is a bottom plan view thereof.

FIG. 9 is an explode perspective view thereof; and,

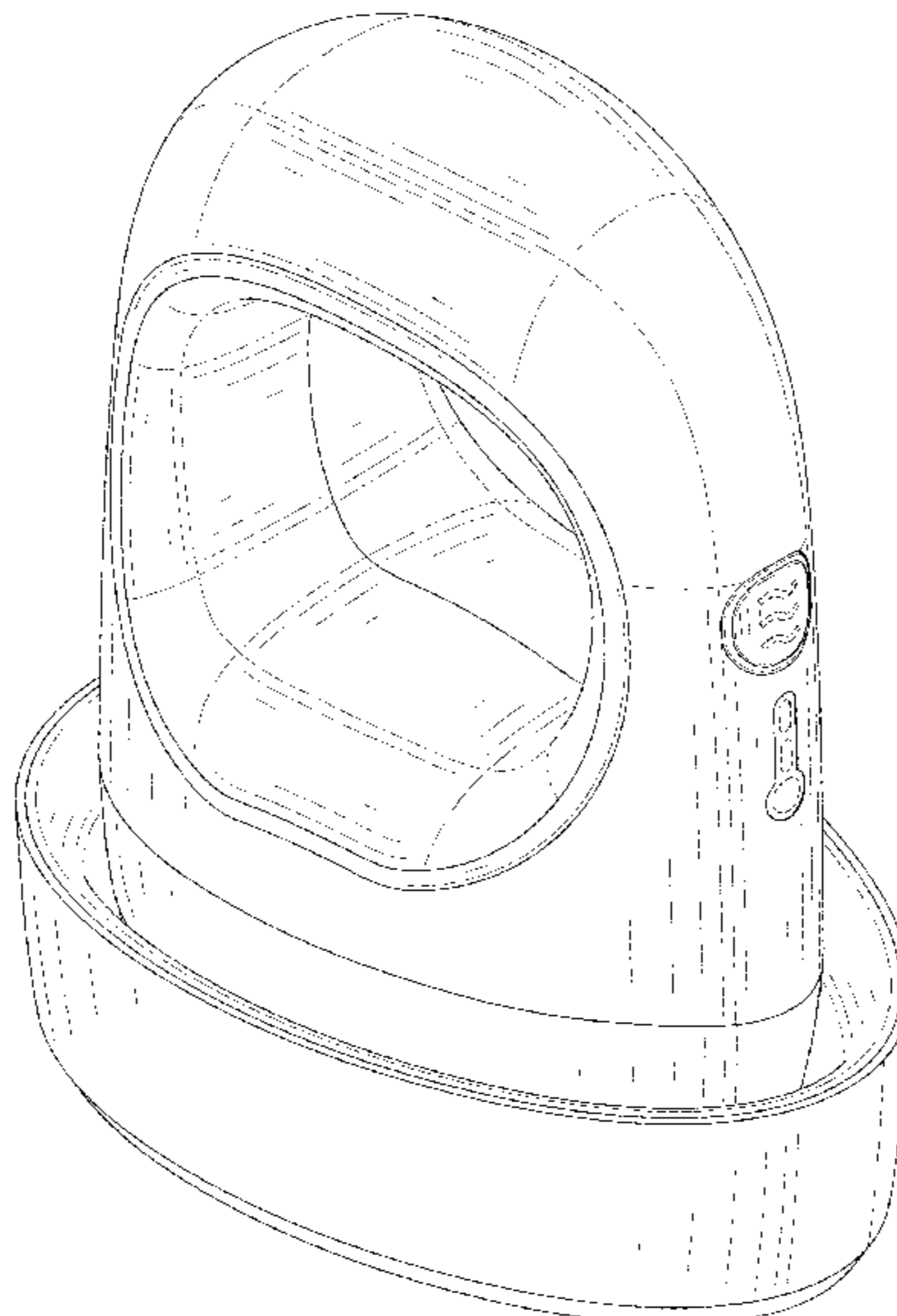
FIG. 10 is a partially enlarged view of an area the heat transfer machine labeled 10 in FIG. 7.

The broken lines in the drawings are employed to show unclaimed portions of the heat transfer machine, and form no part of the claimed design.

(56) **References Cited**  
**U.S. PATENT DOCUMENTS**

1,466,714 A \* 9/1923 Harnden ..... B41F 1/22  
101/3.1  
D250,340 S \* 11/1978 Douglas ..... B30B 15/04  
D15/146  
5,147,496 A \* 9/1992 Hix ..... B30B 1/12  
100/283  
6,151,814 A \* 11/2000 Raio ..... D06F 71/026  
38/30  
D561,792 S \* 2/2008 Johnson ..... D15/146  
8,418,739 B2 \* 4/2013 Robinson ..... B30B 15/047  
156/358  
D845,573 S \* 4/2019 Li ..... B44C 1/1729  
D32/70  
D867,410 S \* 11/2019 Du ..... B30B 15/047  
D15/123  
D873,313 S \* 1/2020 Galkin ..... D06F 71/026  
D15/122

**1 Claim, 10 Drawing Sheets**



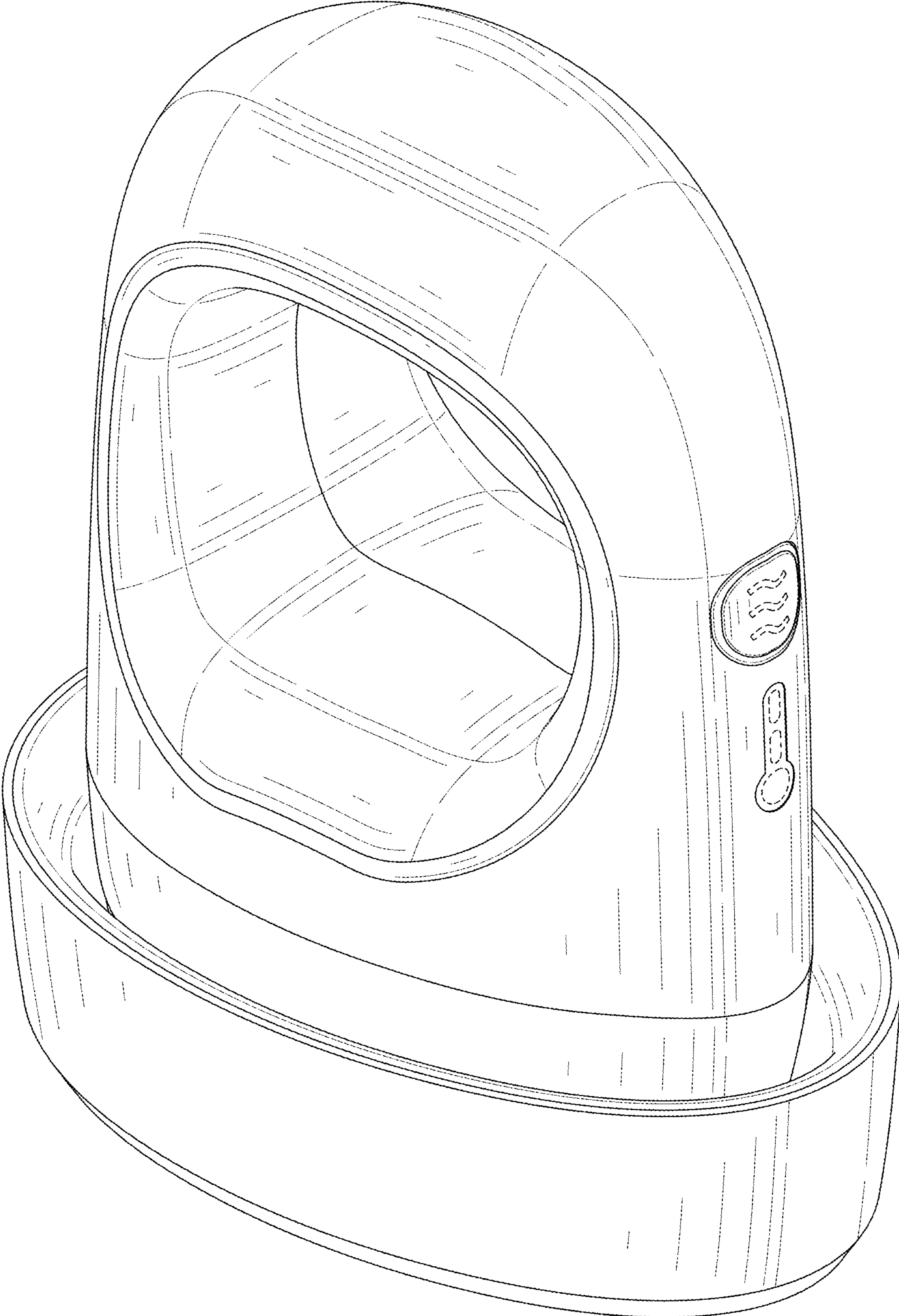


FIG. 1

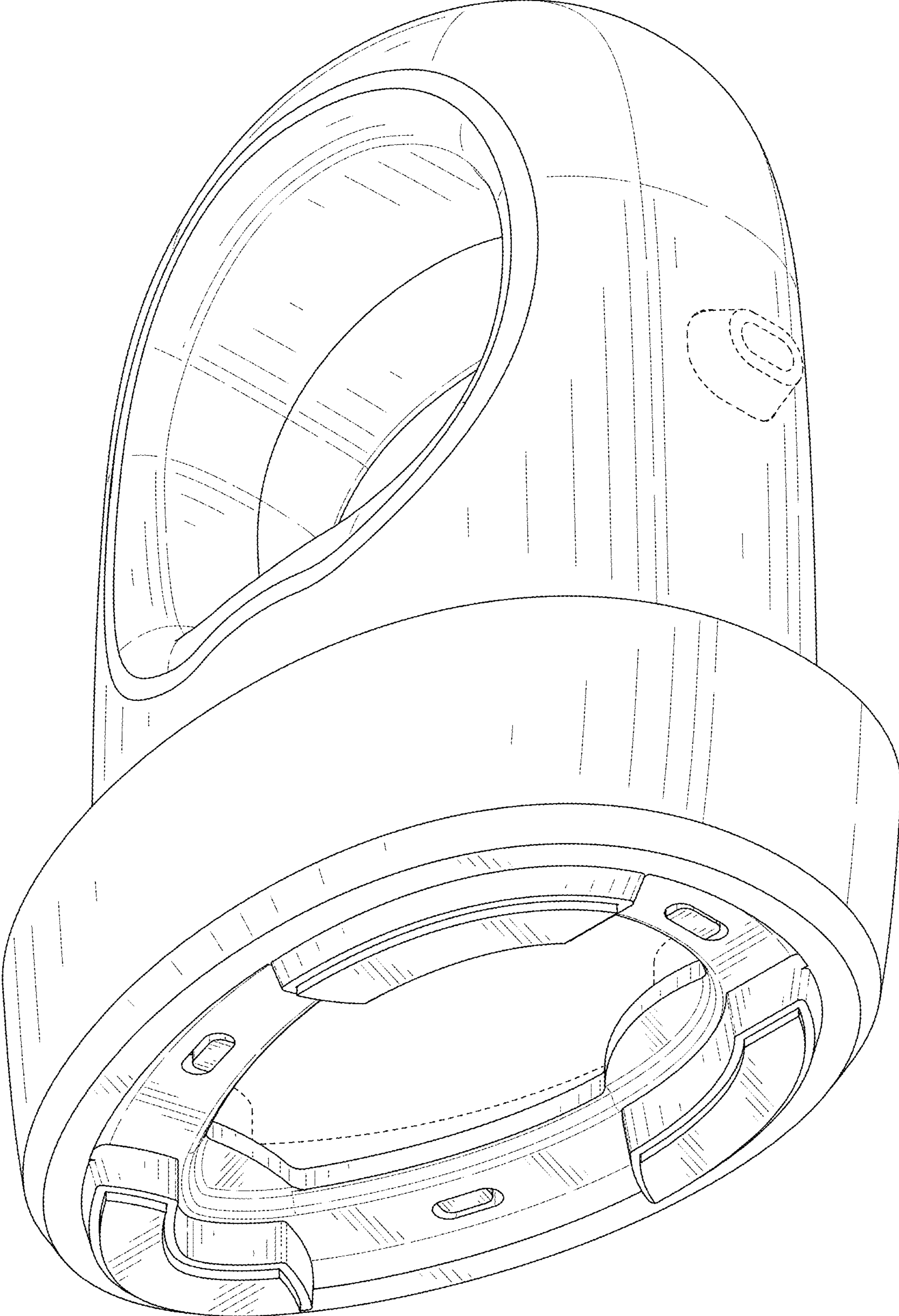


FIG. 2



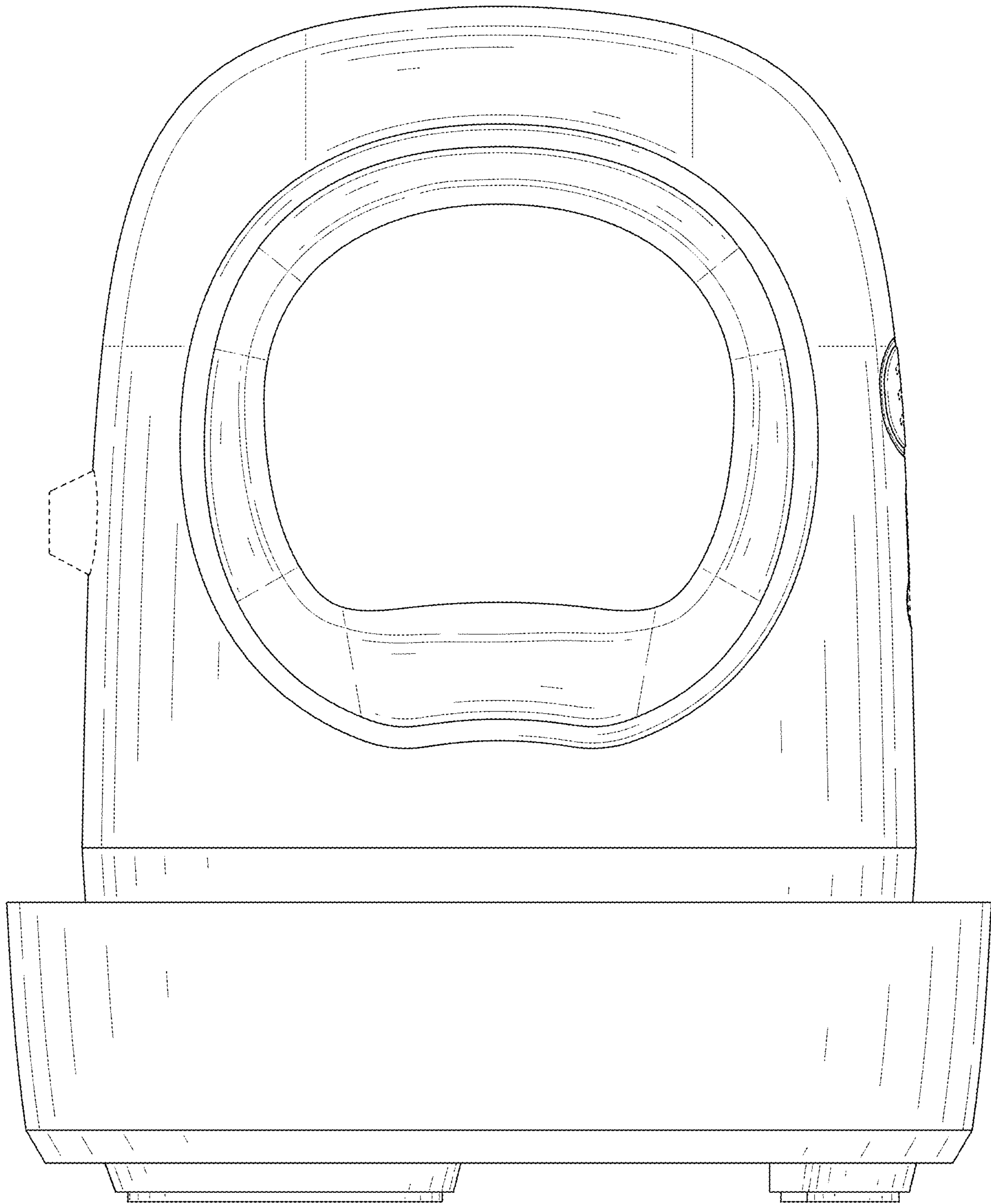


FIG. 3

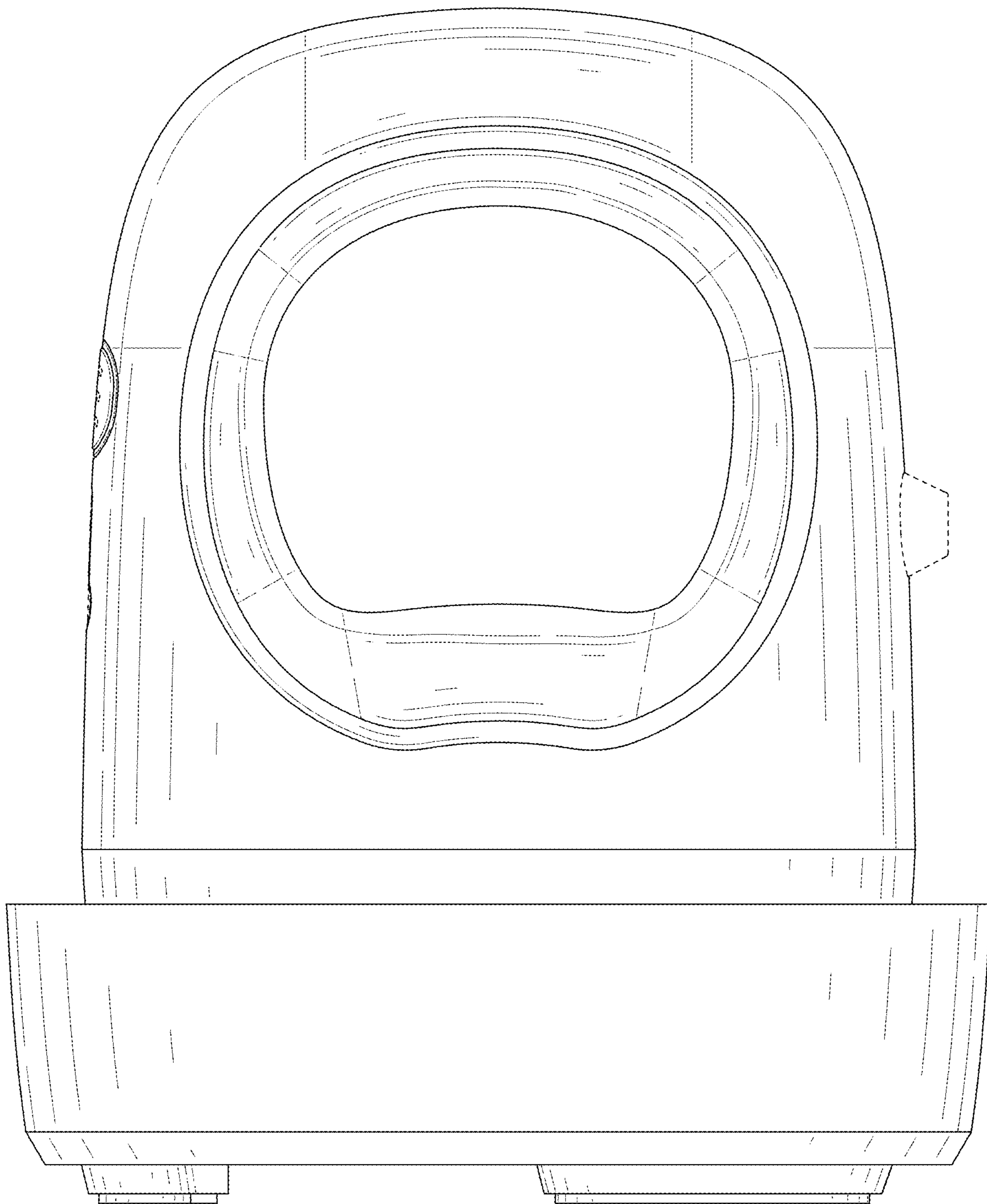


FIG. 4

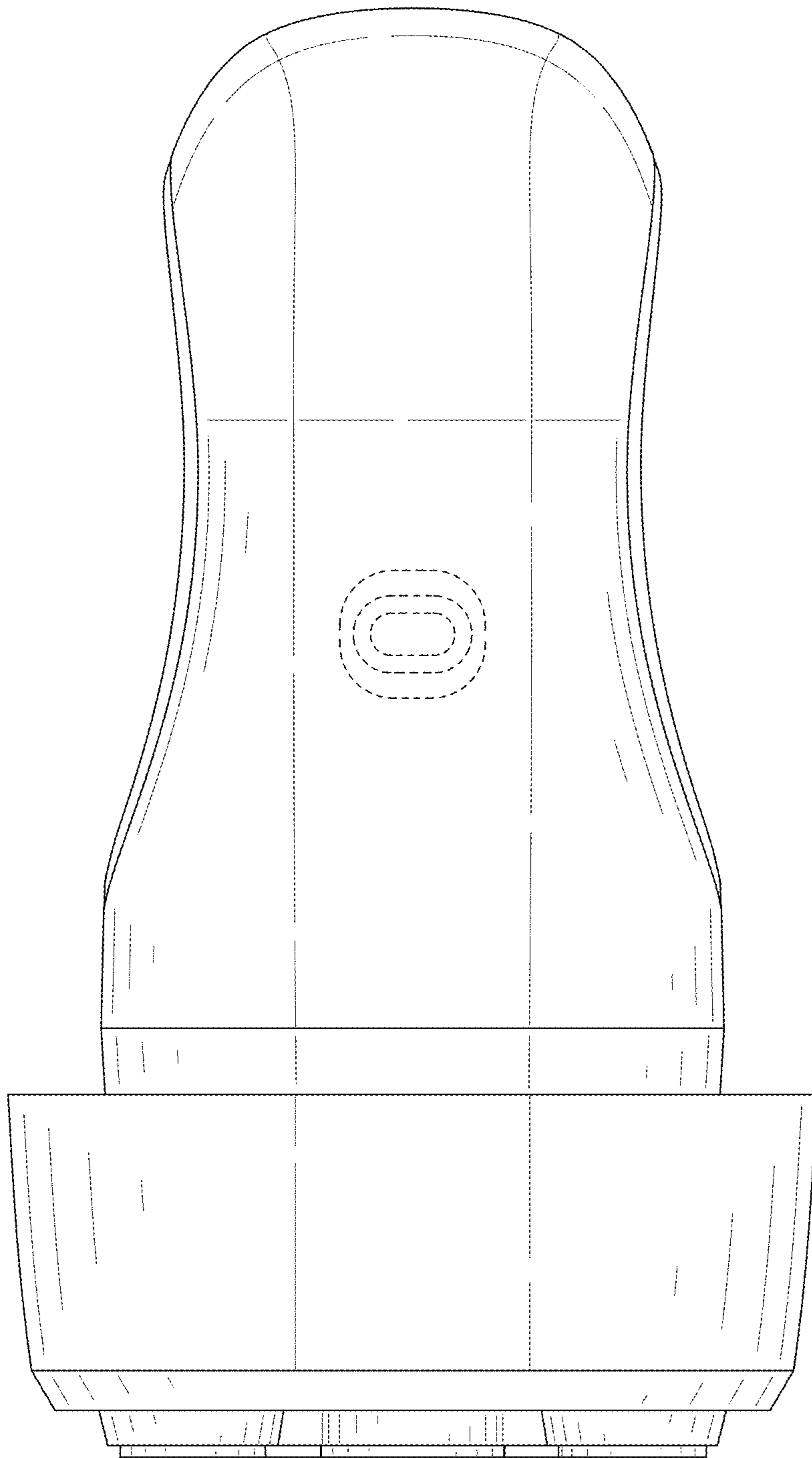


FIG. 5

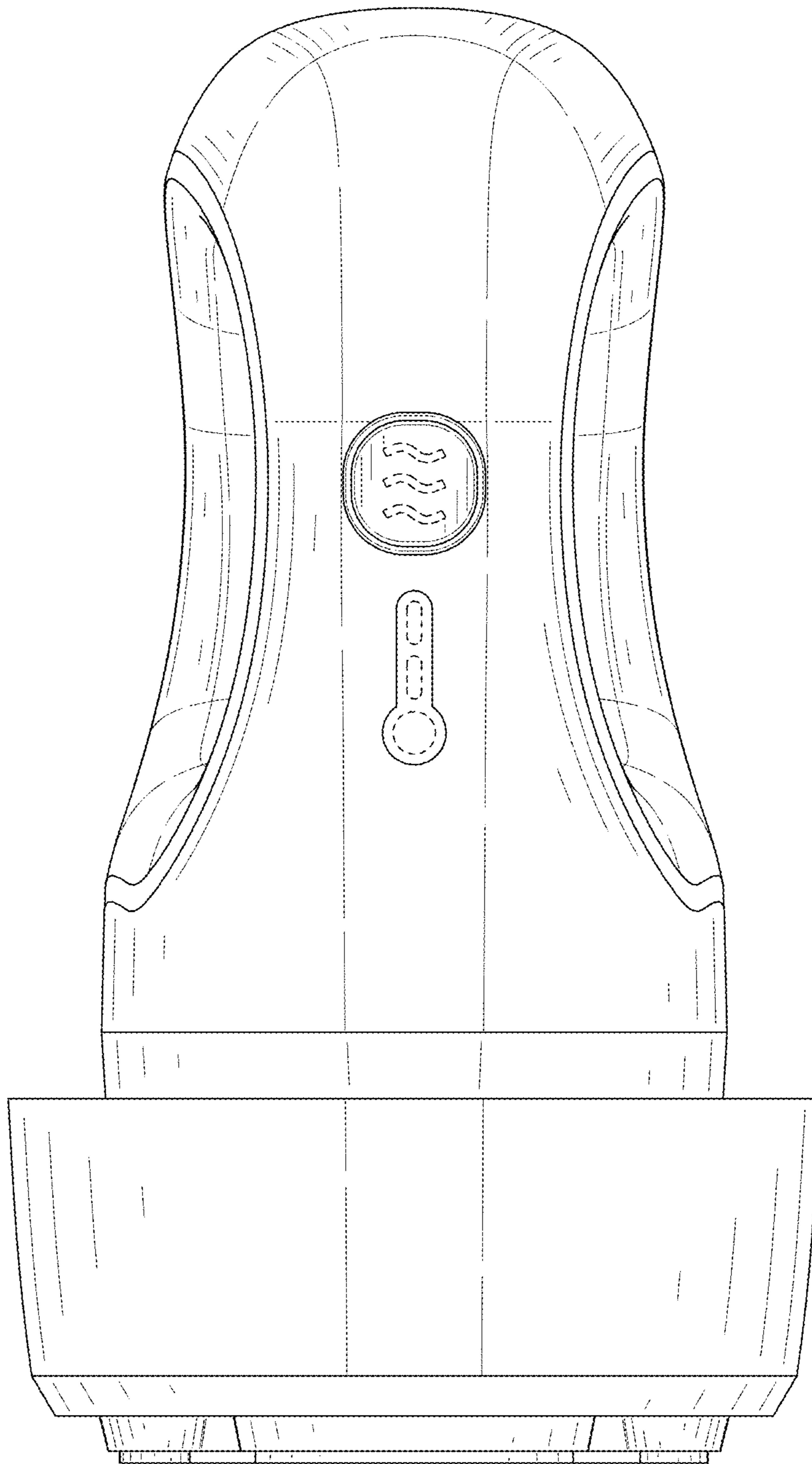


FIG. 6

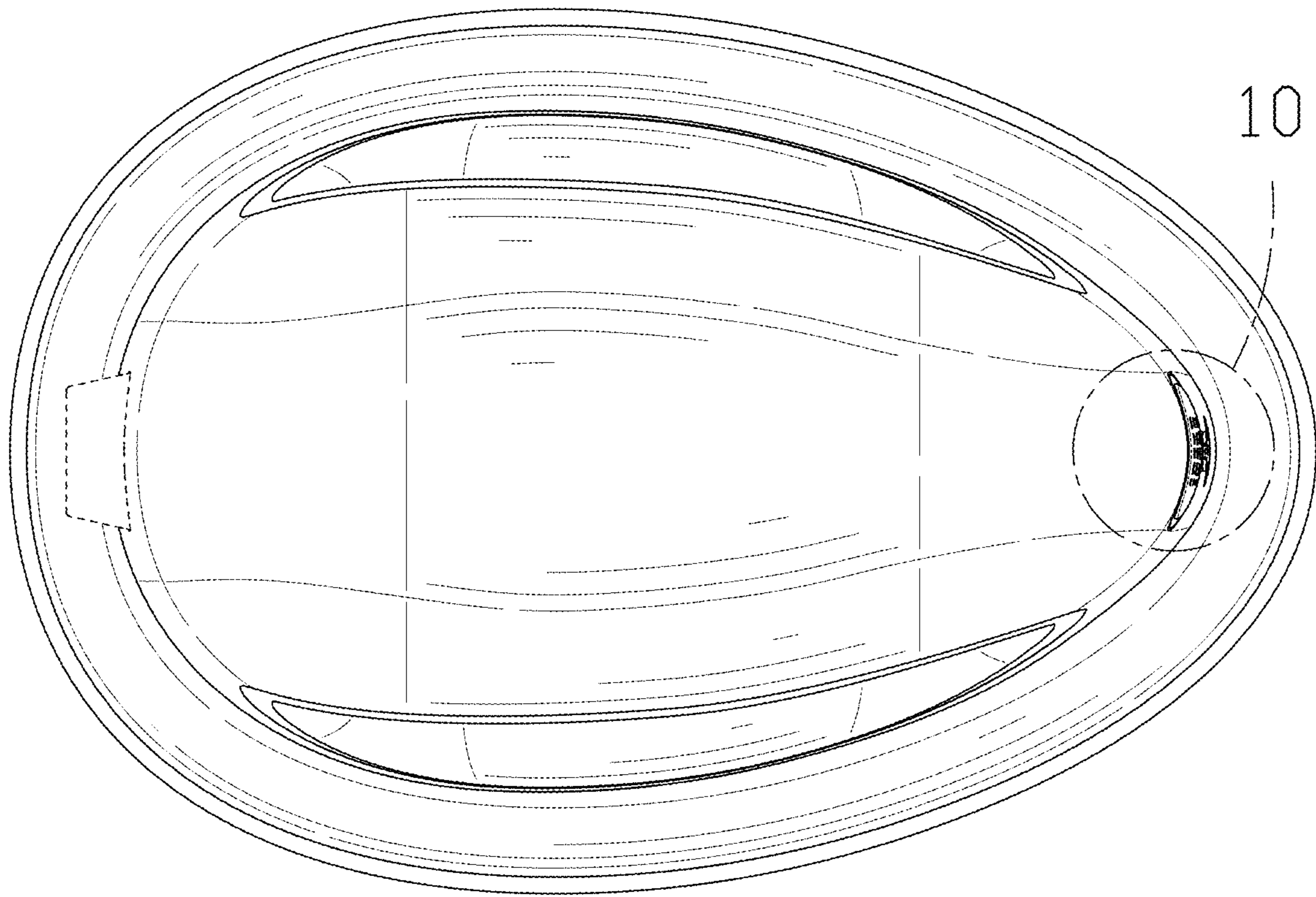


FIG. 7



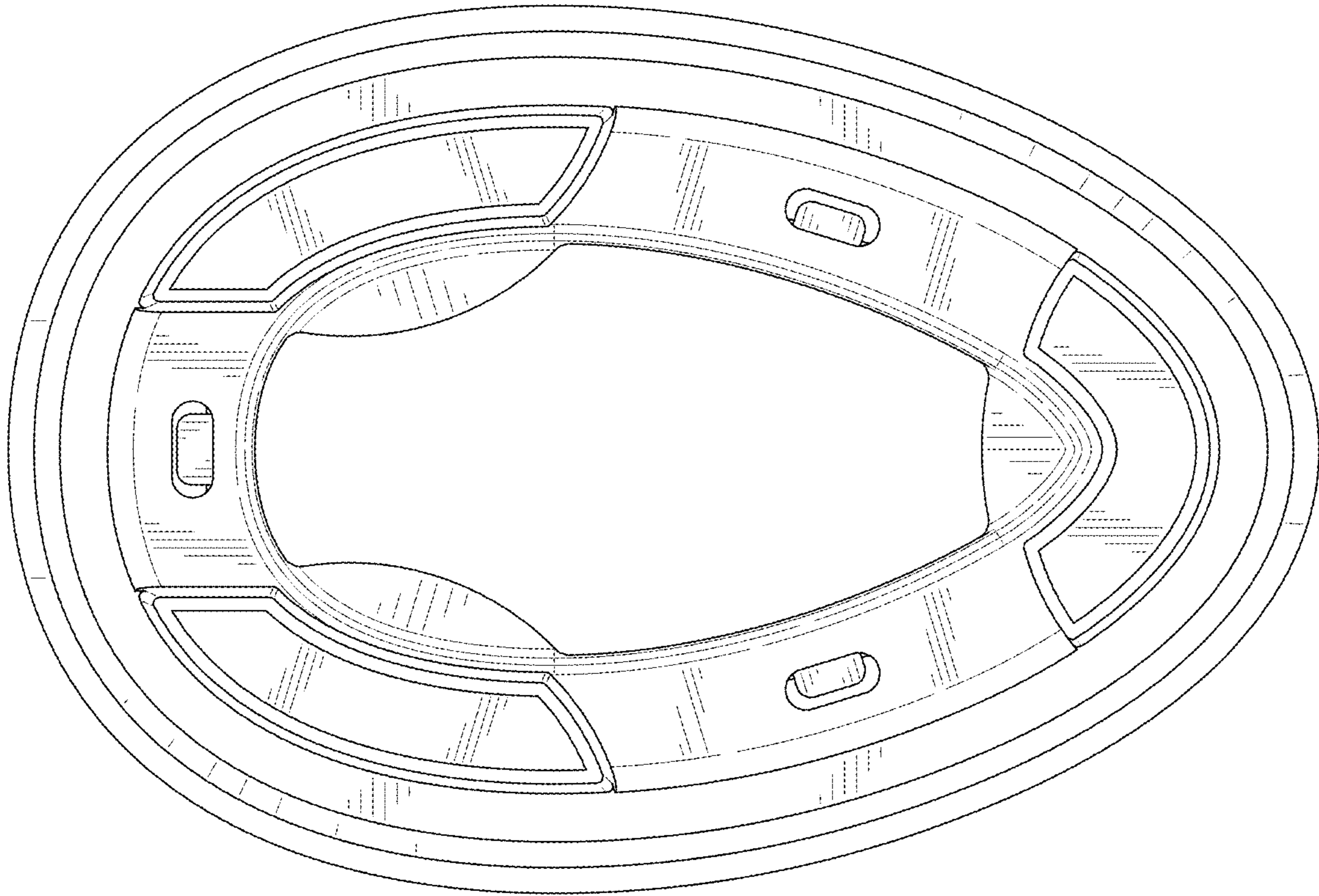


FIG. 8

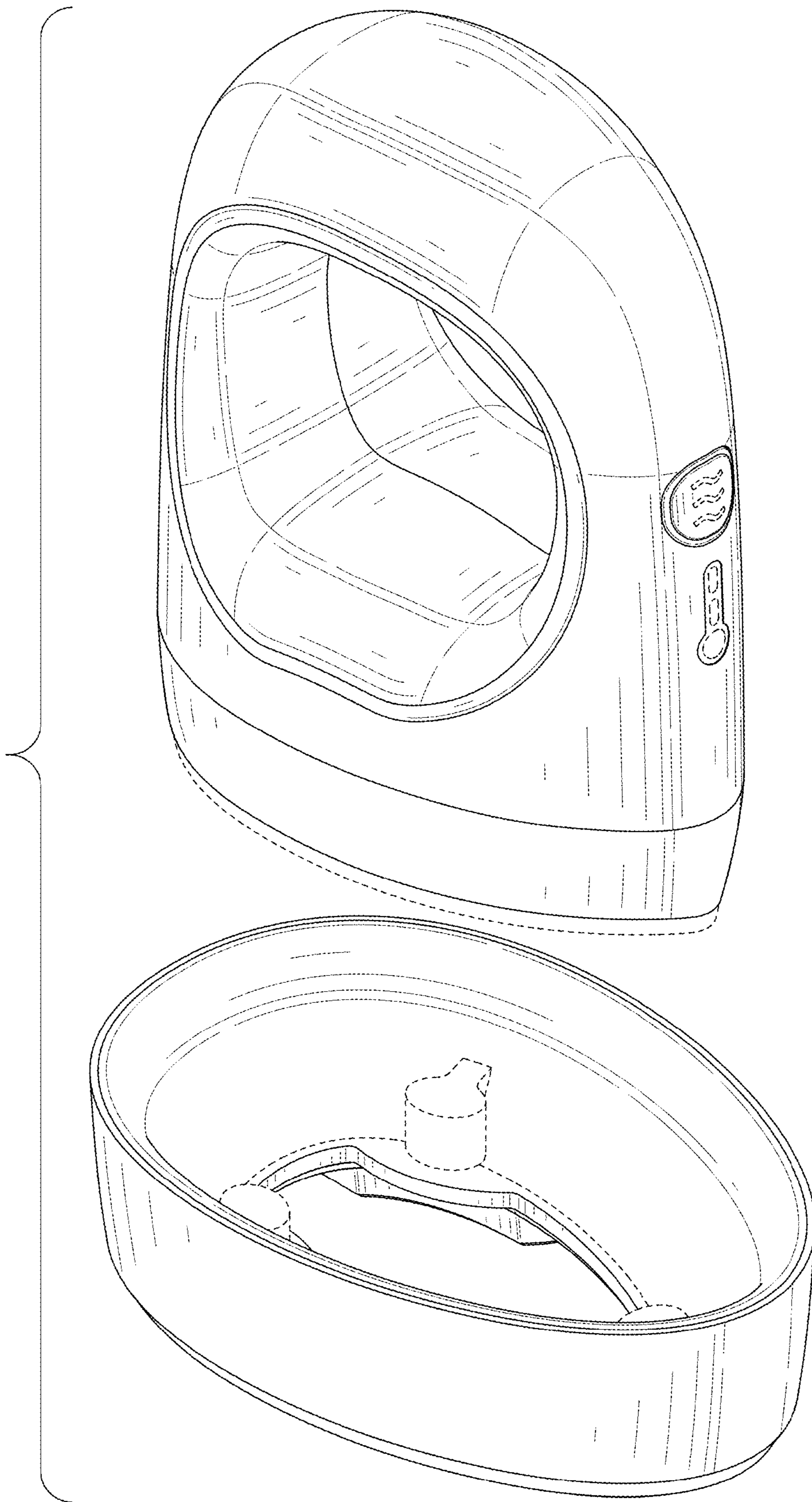


FIG. 9

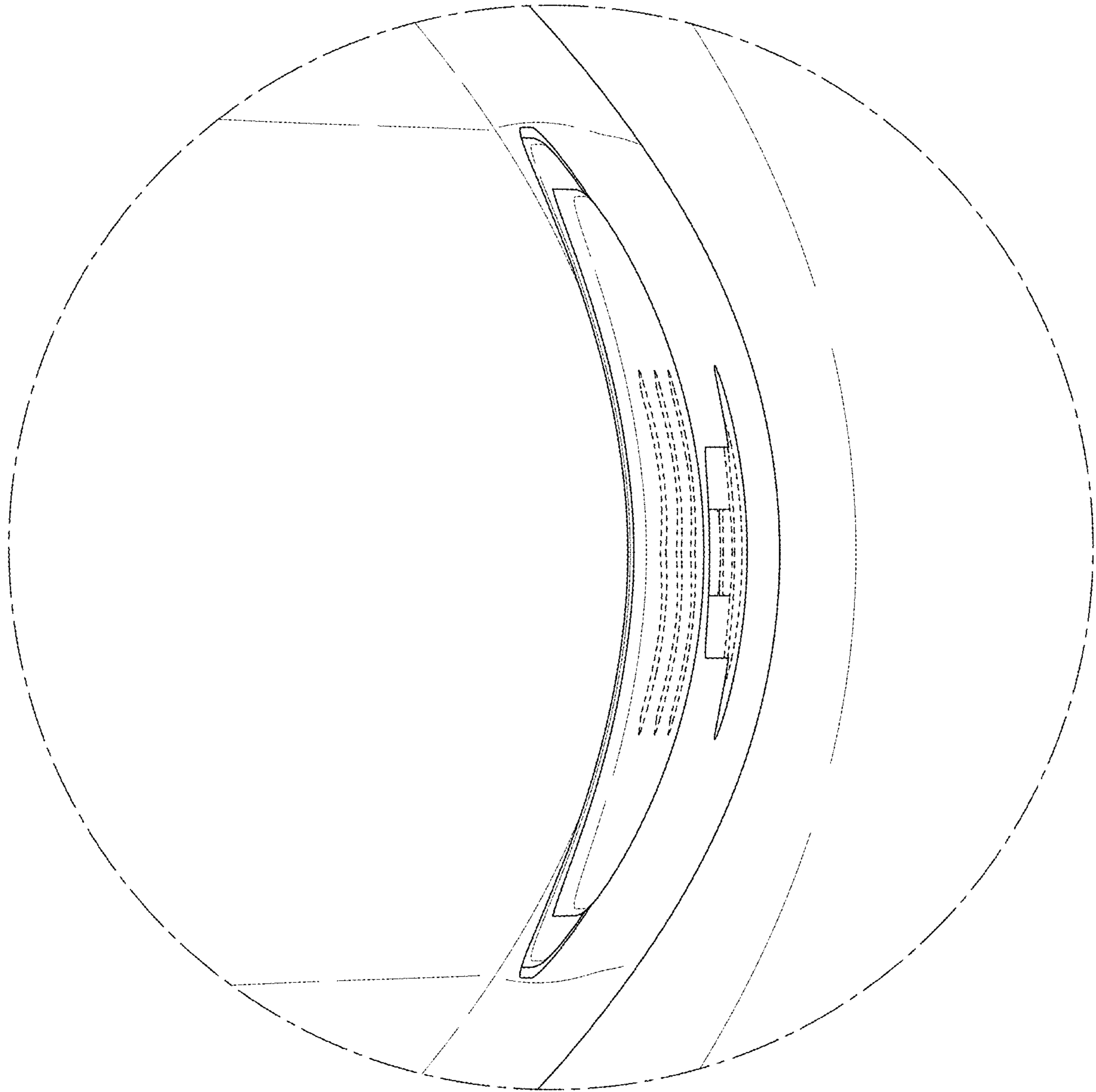


FIG. 10