



US00D935492S

(12) **United States Design Patent** (10) **Patent No.:** **US D935,492 S**
Seo et al. (45) **Date of Patent:** **** Nov. 9, 2021**

(54) **REFRIGERATOR**

FOREIGN PATENT DOCUMENTS

(71) Applicant: **Samsung Electronics Co., Ltd.**,
Suwon-si (KR)

CN 2014302496426 2/2015
CN 2015300958533 8/2015

(Continued)

(72) Inventors: **Hyeong-Ju Seo**, Suwon-si (KR);
Young-Min Park, Suwon-si (KR);
Ri-Na Shin, Suwon-si (KR); **Seo-Jin Park**, Suwon-si (KR)

Primary Examiner — Khawaja Anwar
(74) *Attorney, Agent, or Firm* — NSIP Law

(73) Assignee: **Samsung Electronics Co., Ltd.**,
Suwon-si (KR)

(57) **CLAIM**

We claim the ornamental design for a refrigerator, as shown and described.

(**) Term: **15 Years**

DESCRIPTION

(21) Appl. No.: **29/692,037**

(22) Filed: **May 22, 2019**

(30) **Foreign Application Priority Data**

Nov. 23, 2018 (KR) 30-2018-0054722

(51) **LOC (13) Cl.** **15-07**

(52) **U.S. Cl.**
USPC **D15/79**

(58) **Field of Classification Search**

USPC D15/79-91

CPC F02M 37/18; F02M 3/045; F02M 43/00;
F02M 51/04; F02M 51/0614; F02M
53/043; F02M 55/004; F02M 55/008;
F02M 57/021; F02M 57/027; F02M
59/025; F02M 59/10; F02M 5/00; F02M
5/12; F02M 5/14; F02M 61/02; F02M
61/045; F02M 61/14; F02M 61/145;
F02M 61/18; F02M 61/184;

(Continued)

(56) **References Cited**

U.S. PATENT DOCUMENTS

D690,742 S * 10/2013 Sussman D15/81
D702,265 S * 4/2014 Iovanel D15/85

(Continued)

FIG. 1 is a front perspective view of a refrigerator showing our new design;

FIG. 2 is a front view thereof;

FIG. 3 is a rear view thereof;

FIG. 4 is a left-side view thereof;

FIG. 5 is a right-side view thereof;

FIG. 6 is a top view thereof;

FIG. 7 is a bottom view thereof;

FIG. 8 is an enlarged view of the encircled portion in FIG. 1;

FIG. 9 is an enlarged view of the encircled portion in FIG. 1;

FIG. 10 is an enlarged view of the encircled portion in FIG. 2;

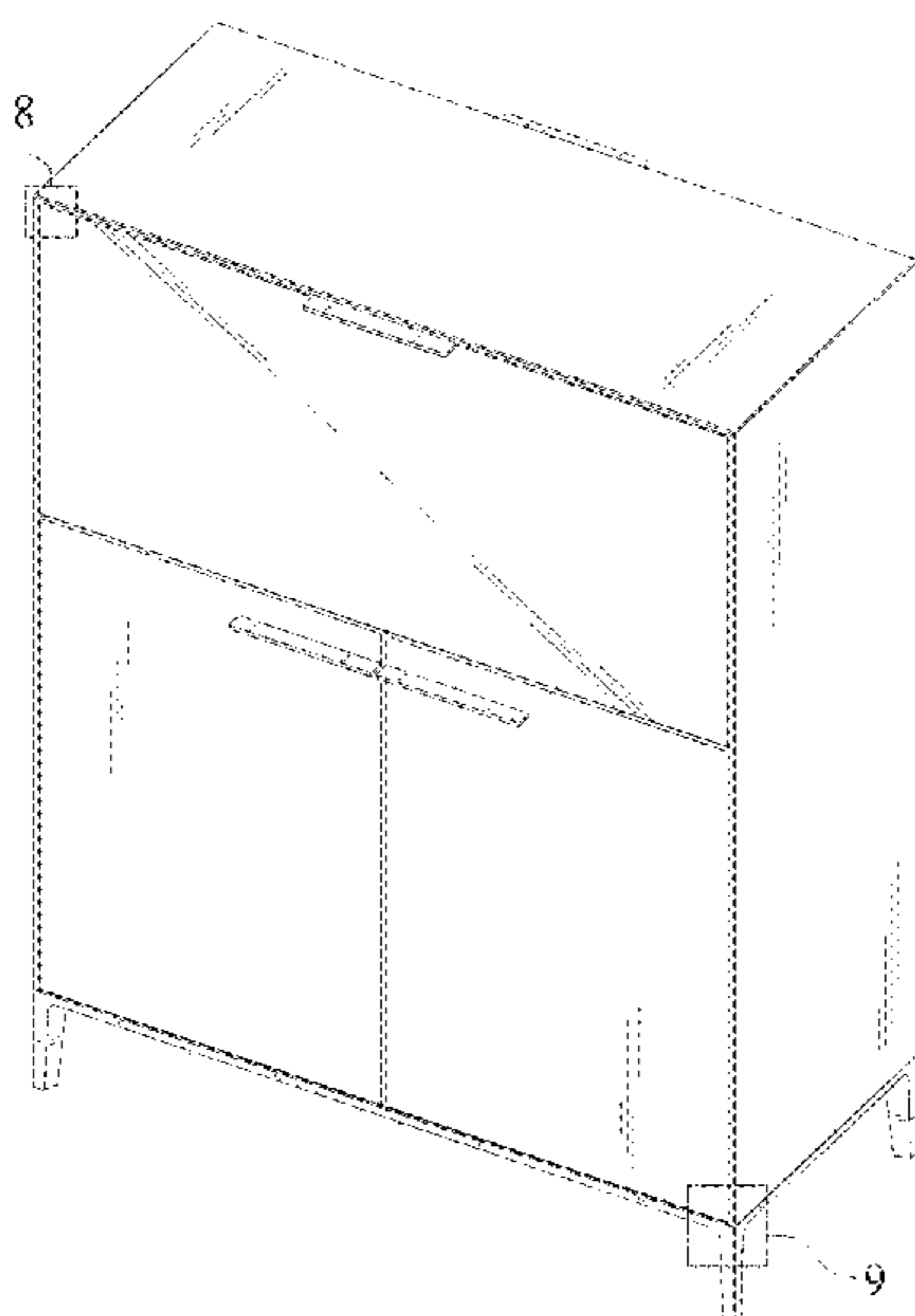
FIG. 11 is an enlarged view of the encircled portion in FIG. 4;

FIG. 12 is an enlarged view of the encircled portion in FIG. 7; and,

FIG. 13 is an enlarged view of the encircled portion in FIG. 7.

The evenly dashed broken lines in the figures depict portions of the refrigerator which form no part of the claimed design. The dot-dash broken lines encircling portions of the claimed design that are illustrated in enlargements form no part of the claimed design.

1 Claim, 13 Drawing Sheets



(58) **Field of Classification Search**

CPC F02M 61/1853; F02M 61/20; F02M
65/003; F02M 69/00; F02M 69/041;
F02M 69/043; F02M 69/32; F02M 69/50;
F02M 7/10; F02M 7/12; F02M 7/133;
F02M 7/17; F02M 9/12; F02M 9/127;
F02M 9/14

See application file for complete search history.

(56) **References Cited**

U.S. PATENT DOCUMENTS

D702,267 S * 4/2014 Iovanel D15/86
D712,439 S * 9/2014 Iovanel D15/86
D802,030 S * 11/2017 Thuma D15/81
D817,366 S * 5/2018 Kim D15/79
D821,457 S * 6/2018 Kim D15/79
D893,555 S * 8/2020 Giulietti D15/79
D893,556 S * 8/2020 Giulietti D15/79
D907,073 S * 1/2021 Liu D15/79
D911,077 S * 2/2021 Kim D6/660
D921,709 S * 6/2021 Yeo F25B 21/02
D15/79

FOREIGN PATENT DOCUMENTS

DE 402008001659-0005 6/2008
JP D1535480 10/2015
KR 30-2009-0015593 4/2010

* cited by examiner

FIG. 1

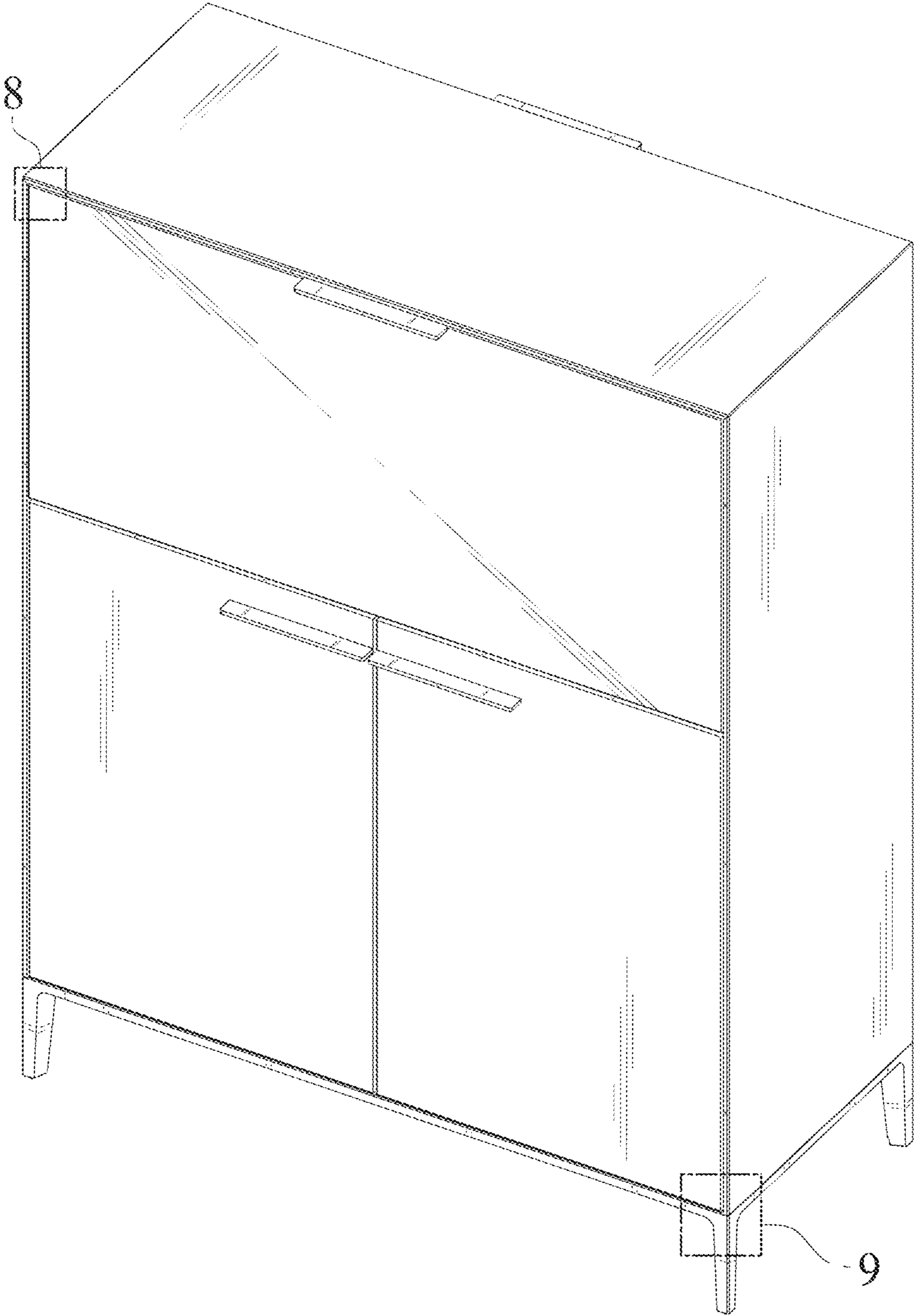


FIG. 2

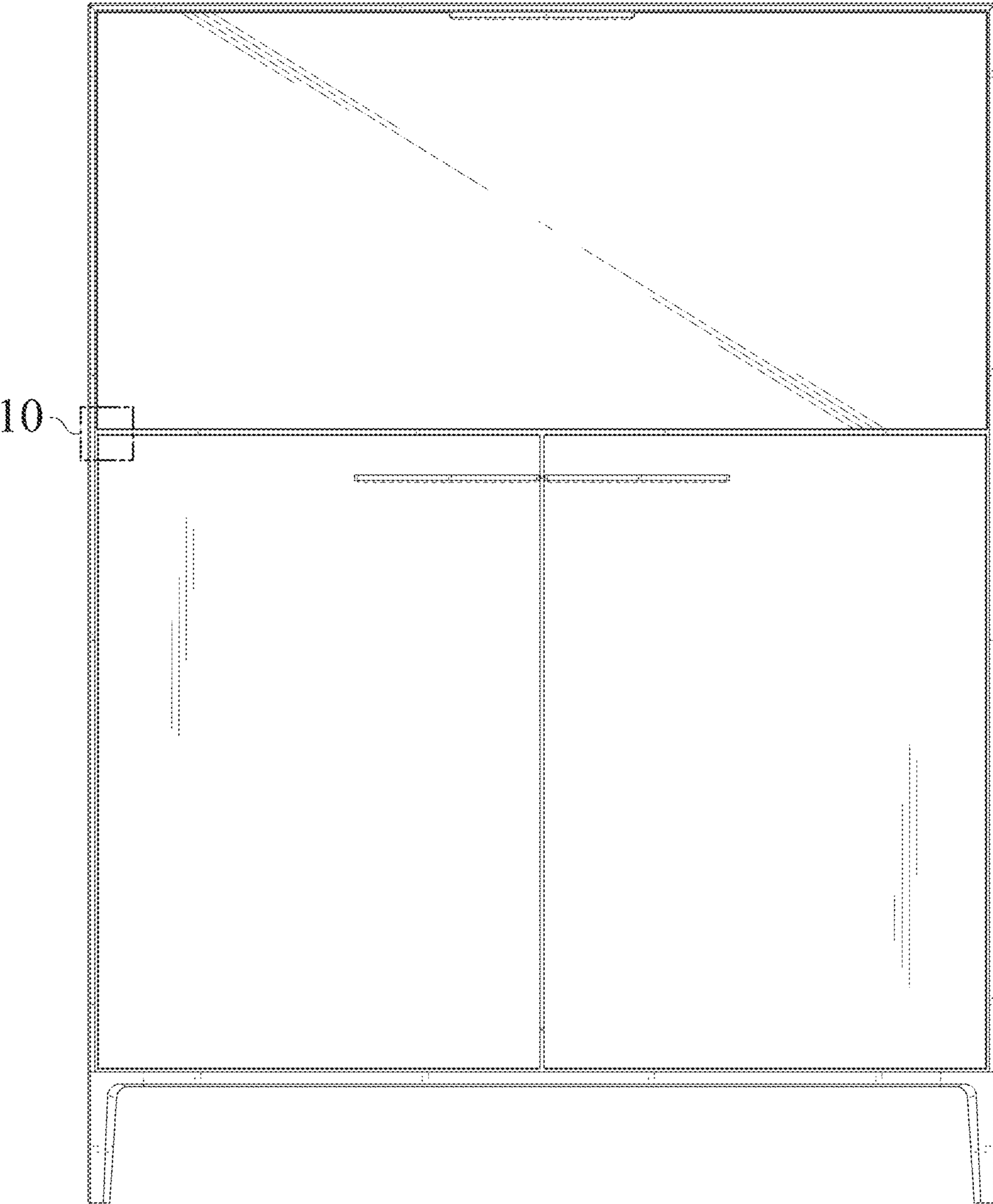


FIG. 3

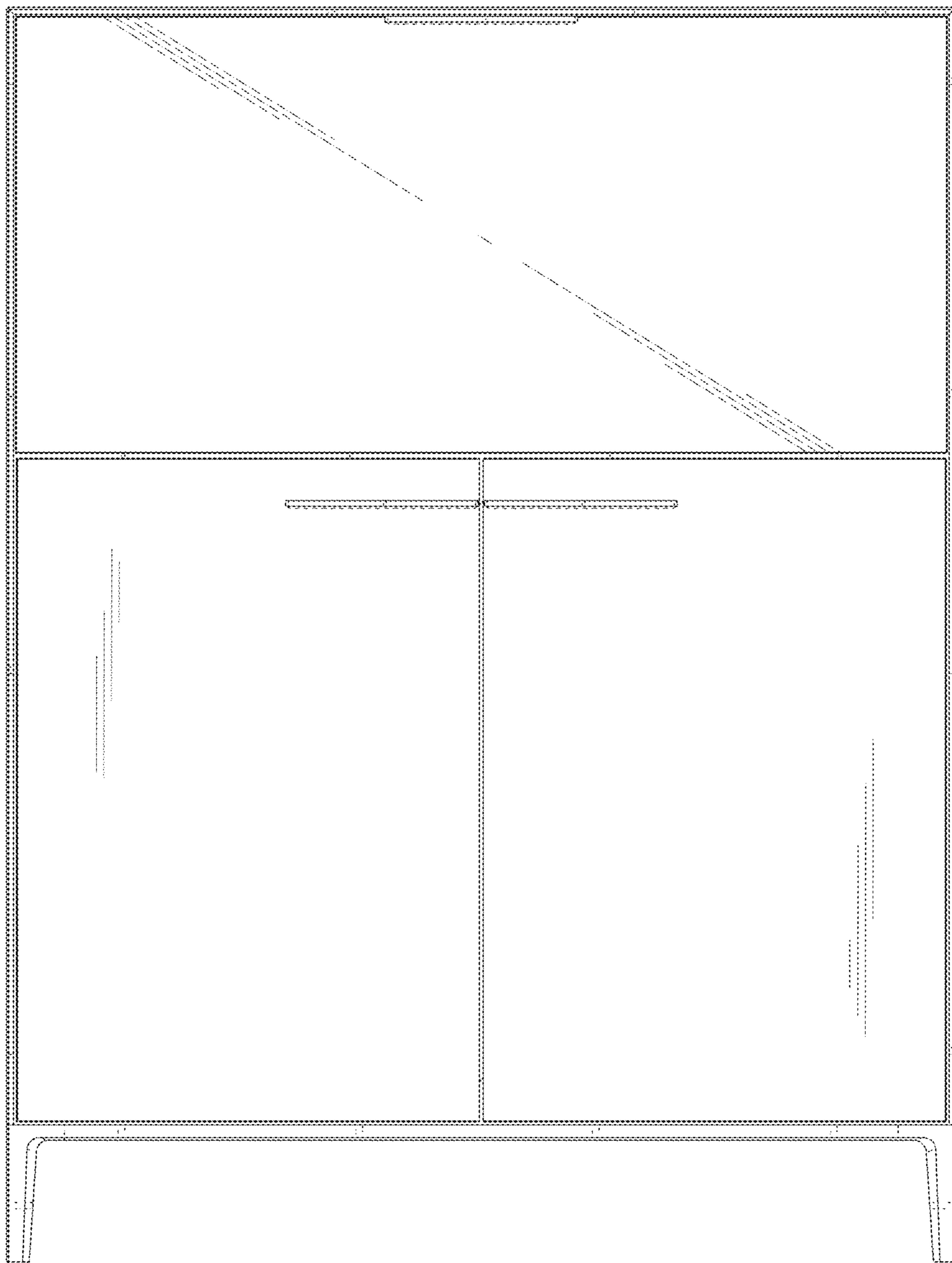


FIG. 4

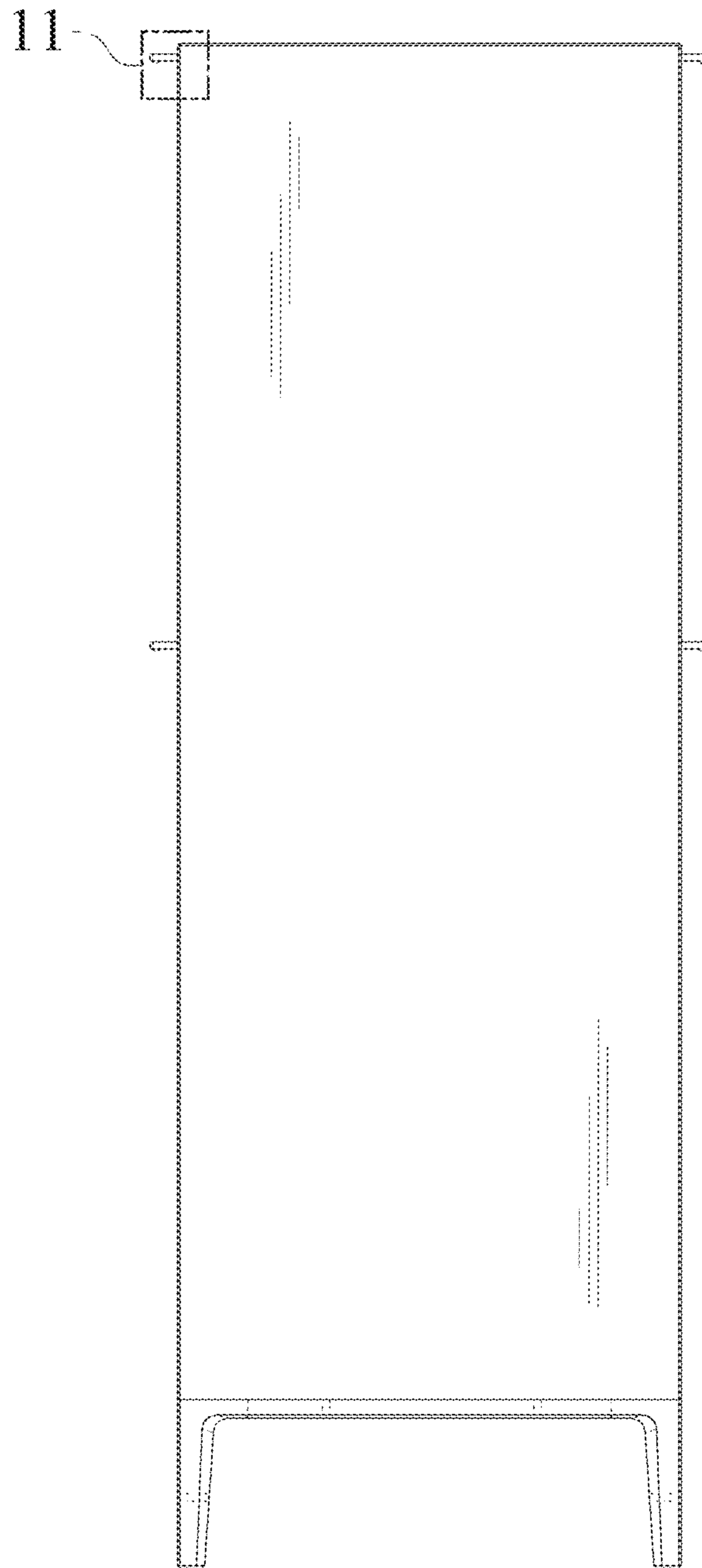


FIG. 5

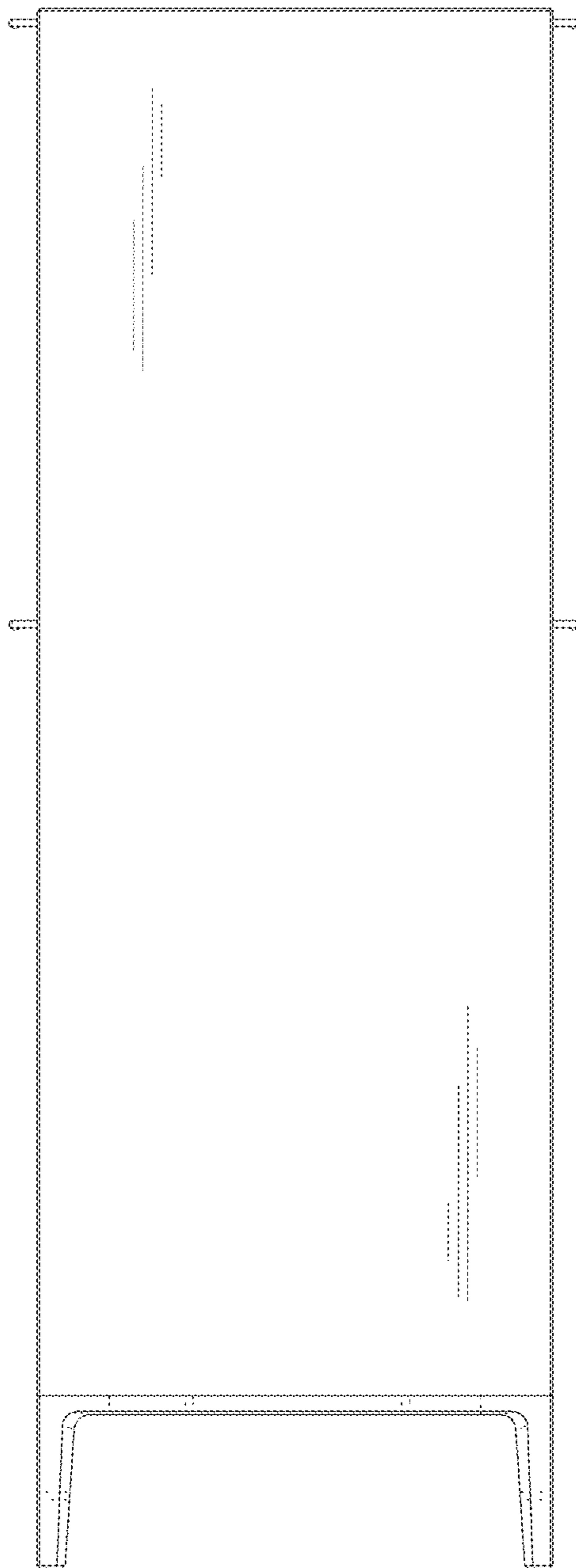


FIG. 6

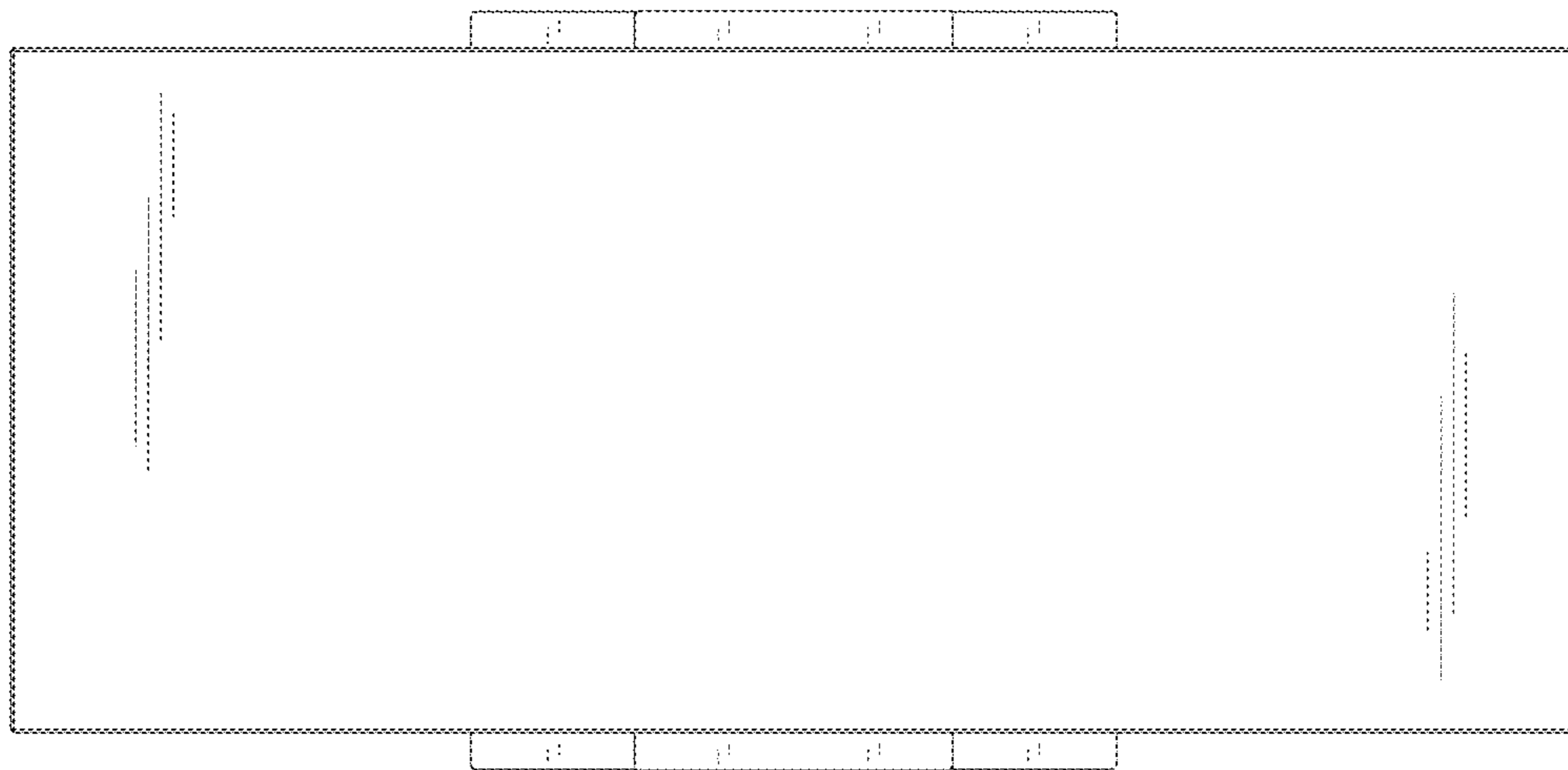


FIG. 7

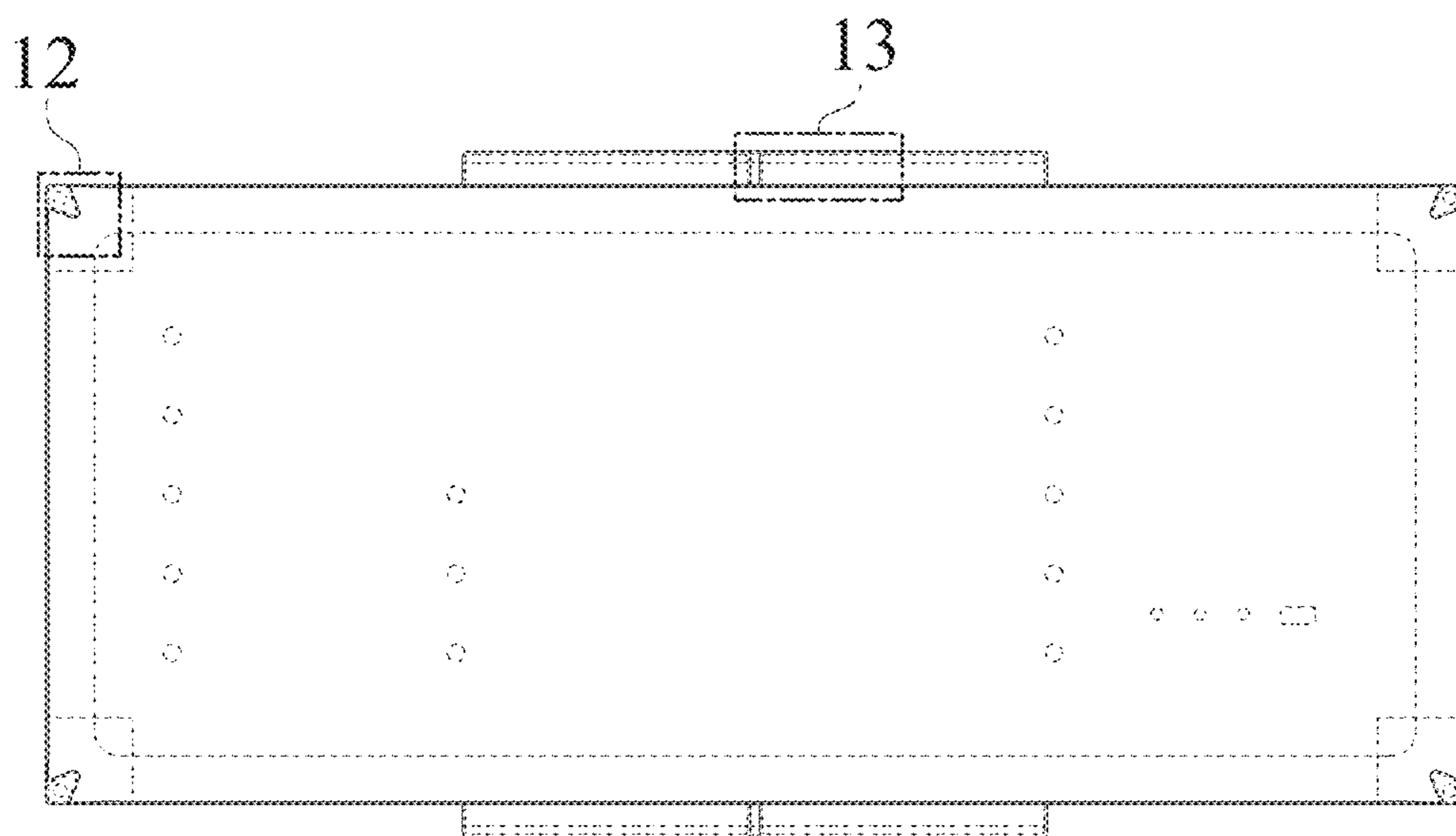


FIG. 8

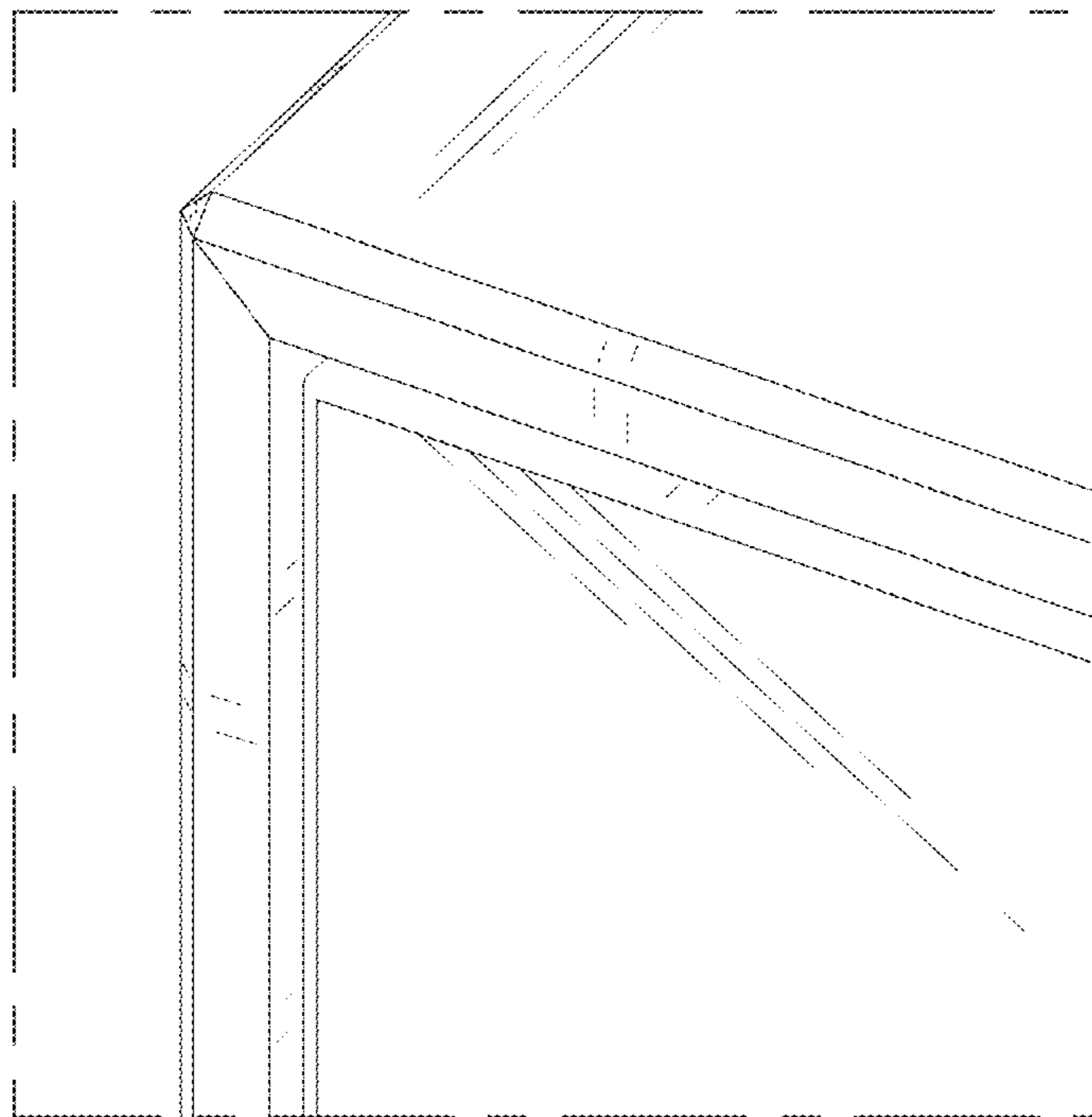


FIG. 9

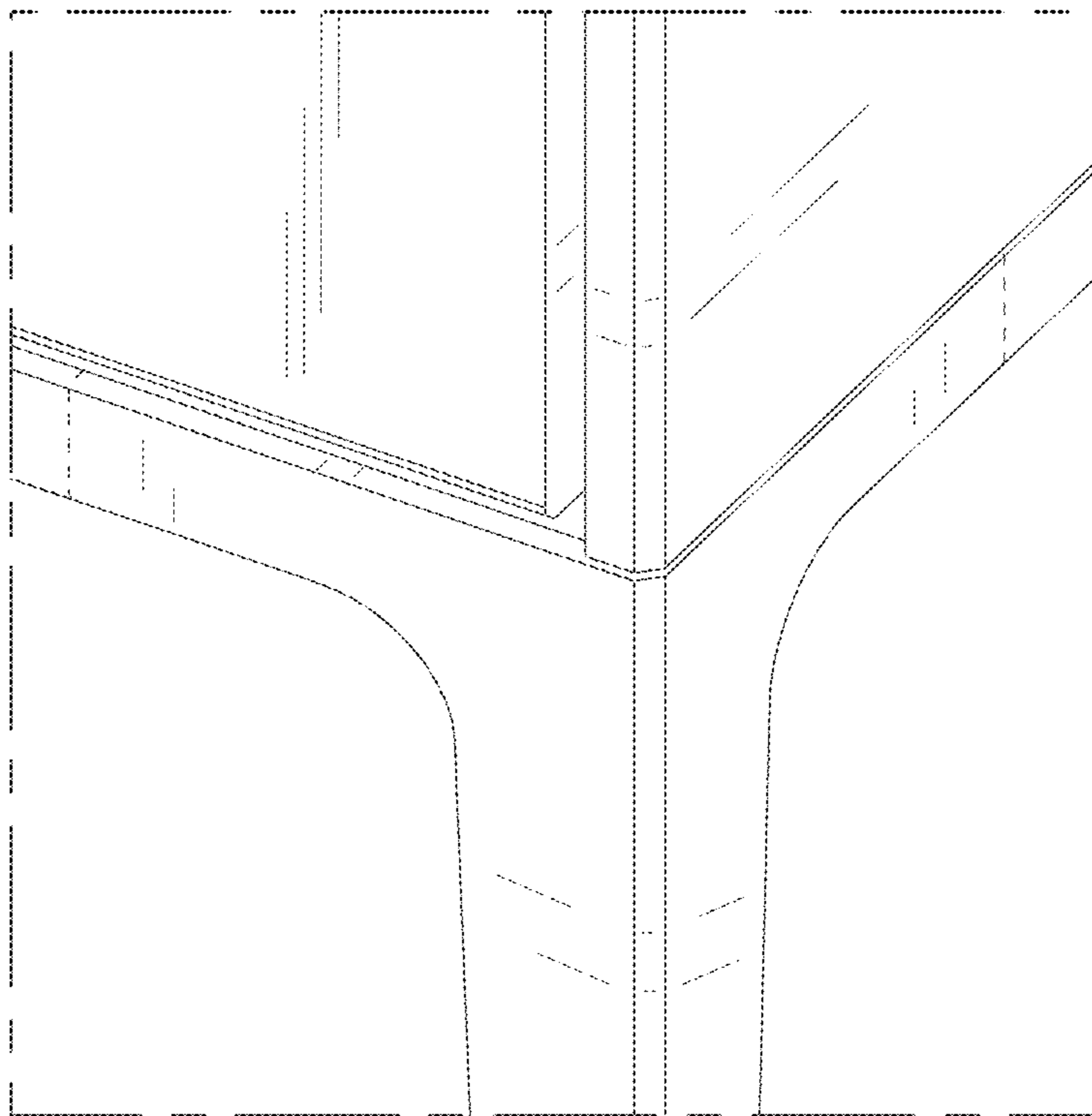


FIG. 10

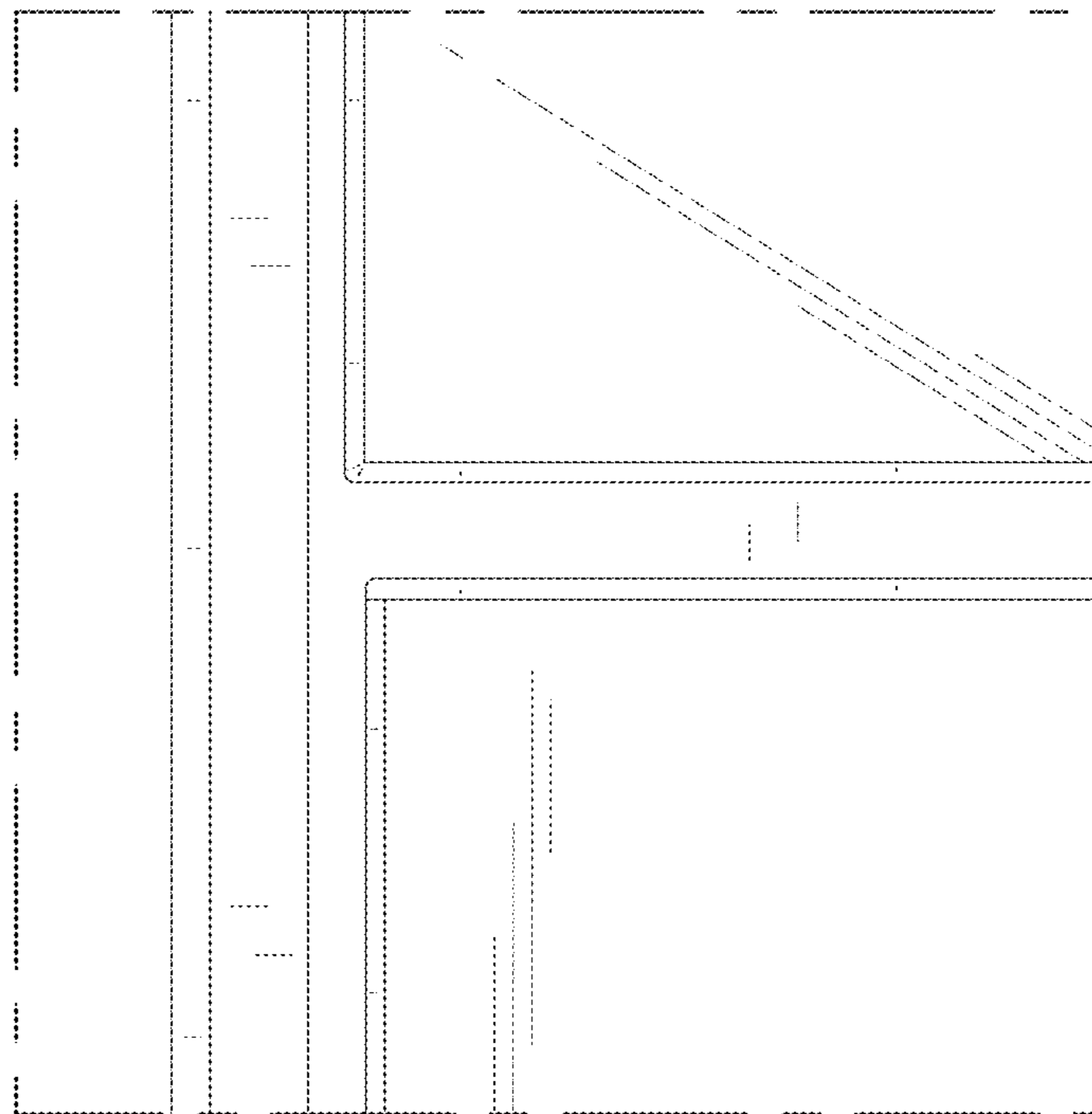


FIG. 11

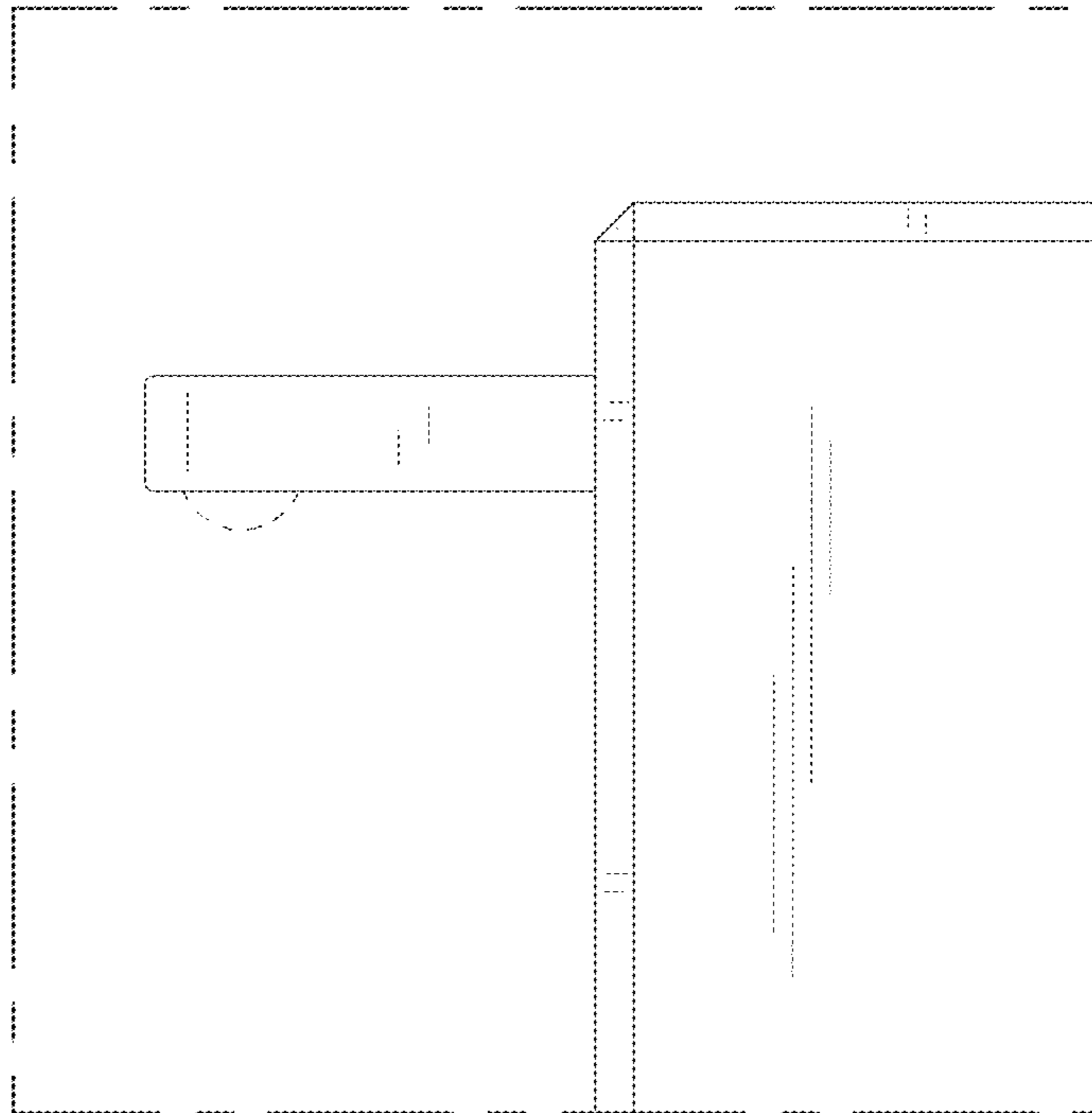


FIG. 12

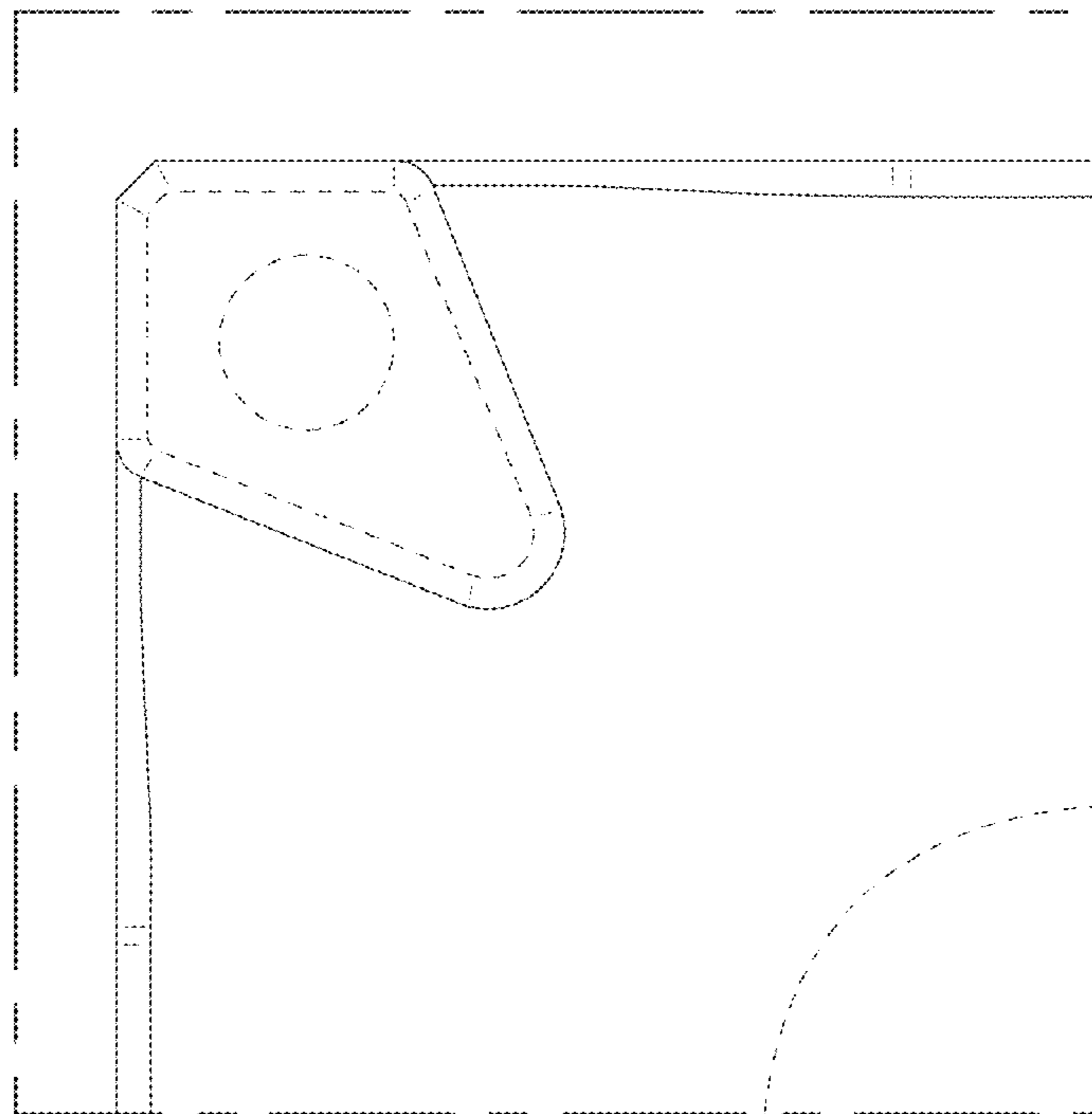


FIG. 13

