



US00D935491S

(12) **United States Design Patent** (10) **Patent No.:** **US D935,491 S**  
**Phillips** (45) **Date of Patent:** **\*\* Nov. 9, 2021**

(54) **NUBBIN HAVING A GUIDE FOR A GRIPPING TOOL**

D806,136 S \* 12/2017 Saulou ..... D15/21  
D827,000 S \* 8/2018 VanLue ..... E21B 34/16  
D15/138

(71) Applicant: **William Thomas Phillips, Inc.**, Tyler, TX (US)

D882,641 S \* 4/2020 Moja ..... D15/21  
D883,344 S \* 5/2020 Bleeker ..... D15/21  
2007/0023190 A1 2/2007 Hall et al.  
2014/0083676 A1 3/2014 Miner  
2014/0262335 A1 9/2014 Bull  
2015/0354297 A1 12/2015 Arp et al.

(72) Inventor: **William Thomas Phillips**, Tyler, TX (US)

(Continued)

(73) Assignee: **William Thomas Phillips, Inc.**, Tyler, TX (US)

**OTHER PUBLICATIONS**

(\*\*) Term: **15 Years**

Nubbins believed to be manufactured according to API specifications and believed to be publicly available at least before Jan. 10, 2020.

(21) Appl. No.: **29/720,308**

(Continued)

(22) Filed: **Jan. 10, 2020**

(51) **LOC (13) Cl.** ..... **15-03**

*Primary Examiner* — Mark A Goodwin

(52) **U.S. Cl.**  
USPC ..... **D15/21**

(74) *Attorney, Agent, or Firm* — Vincent J. Allen; Brandon V. Zuniga; Carstens & Cahoon, LLP

(58) **Field of Classification Search**  
USPC ..... D15/21, 28; 294/86.1; 166/380  
CPC ..... E21B 19/24; E21B 17/00; B25J 15/0683  
See application file for complete search history.

(57) **CLAIM**

The ornamental design for a nubbin having a guide for a gripping tool, as shown and described.

(56) **References Cited**

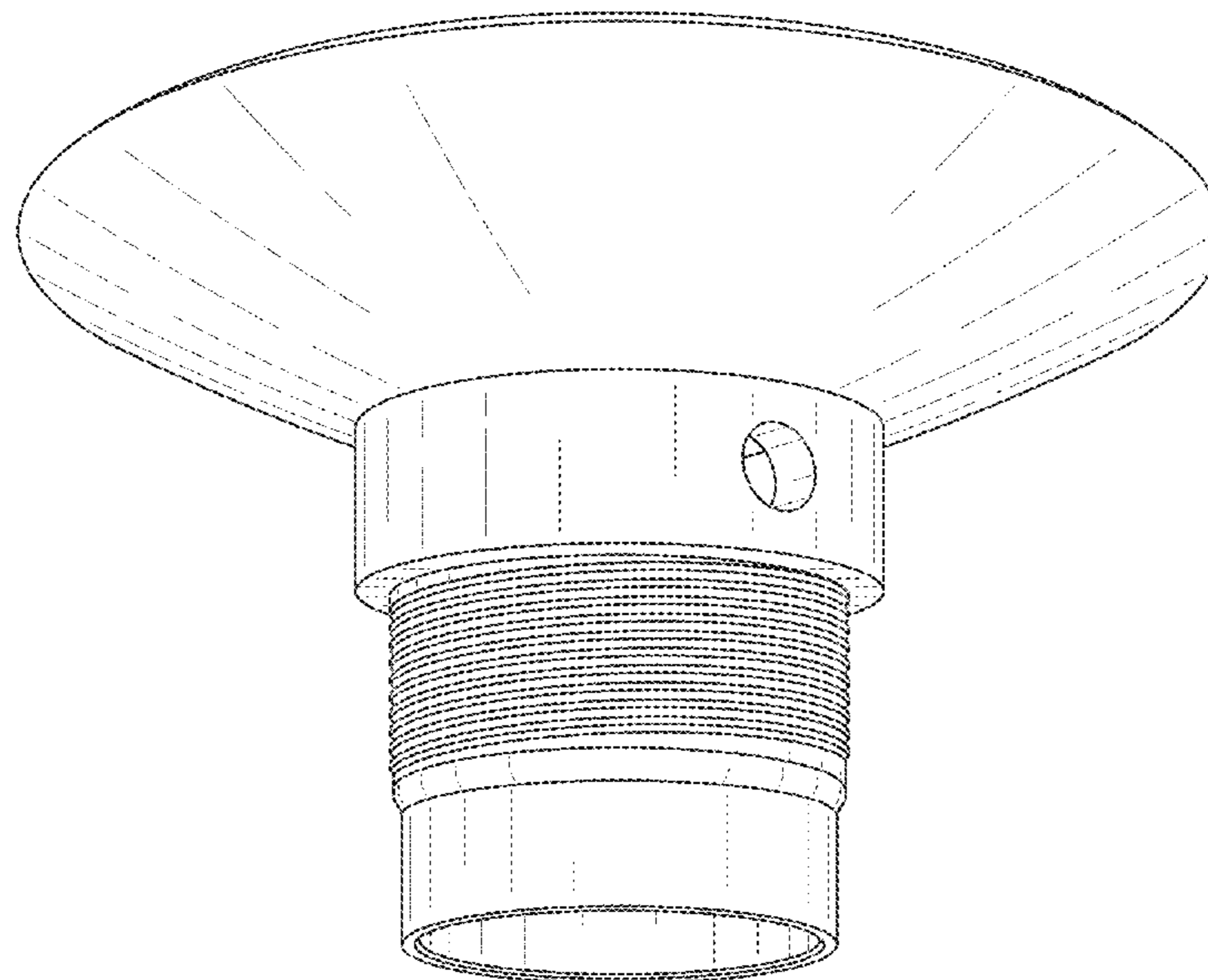
**DESCRIPTION**

**U.S. PATENT DOCUMENTS**

2,279,118	A	4/1942	Fortune et al.	
2,594,429	A	4/1952	Handley	
3,662,842	A *	5/1972	Bromell	E21B 19/16 173/1
D413,126	S *	8/1999	Warren	D15/21
7,909,120	B2	3/2011	Slack	
8,348,320	B2	1/2013	Latiolais, Jr. et al.	
8,454,066	B2	6/2013	Slack	
D687,862	S *	8/2013	Drenth	D15/21
D694,281	S *	11/2013	Frazier	D15/21
D694,282	S *	11/2013	Frazier	E21B 23/06 D15/21
D698,370	S *	1/2014	Frazier	D15/21
D703,698	S *	4/2014	Frazier	D15/21
D783,133	S *	4/2017	Fitzhugh	D23/260

FIG. 1 is a perspective view taken from the front, the bottom and the left of the present design;  
FIG. 2 is a perspective view taken from the rear, the bottom and the right thereof;  
FIG. 3 is a perspective view taken from the front, the top, and the right thereof;  
FIG. 4 is a front view thereof;  
FIG. 5 is a rear view thereof;  
FIG. 6 is a right side view thereof;  
FIG. 7 is a left side view thereof;  
FIG. 8 is a top view thereof; and,  
FIG. 9 is a bottom view thereof.

**1 Claim, 7 Drawing Sheets**



(56)

**References Cited**

U.S. PATENT DOCUMENTS

2016/0153251 A1 6/2016 Frith et al.  
2016/0222484 A1 8/2016 Koyer et al.  
2019/0368281 A1 12/2019 Haggart

OTHER PUBLICATIONS

API Specification 5CT, Eighth Edition, 2005, 306 pgs.

\* cited by examiner

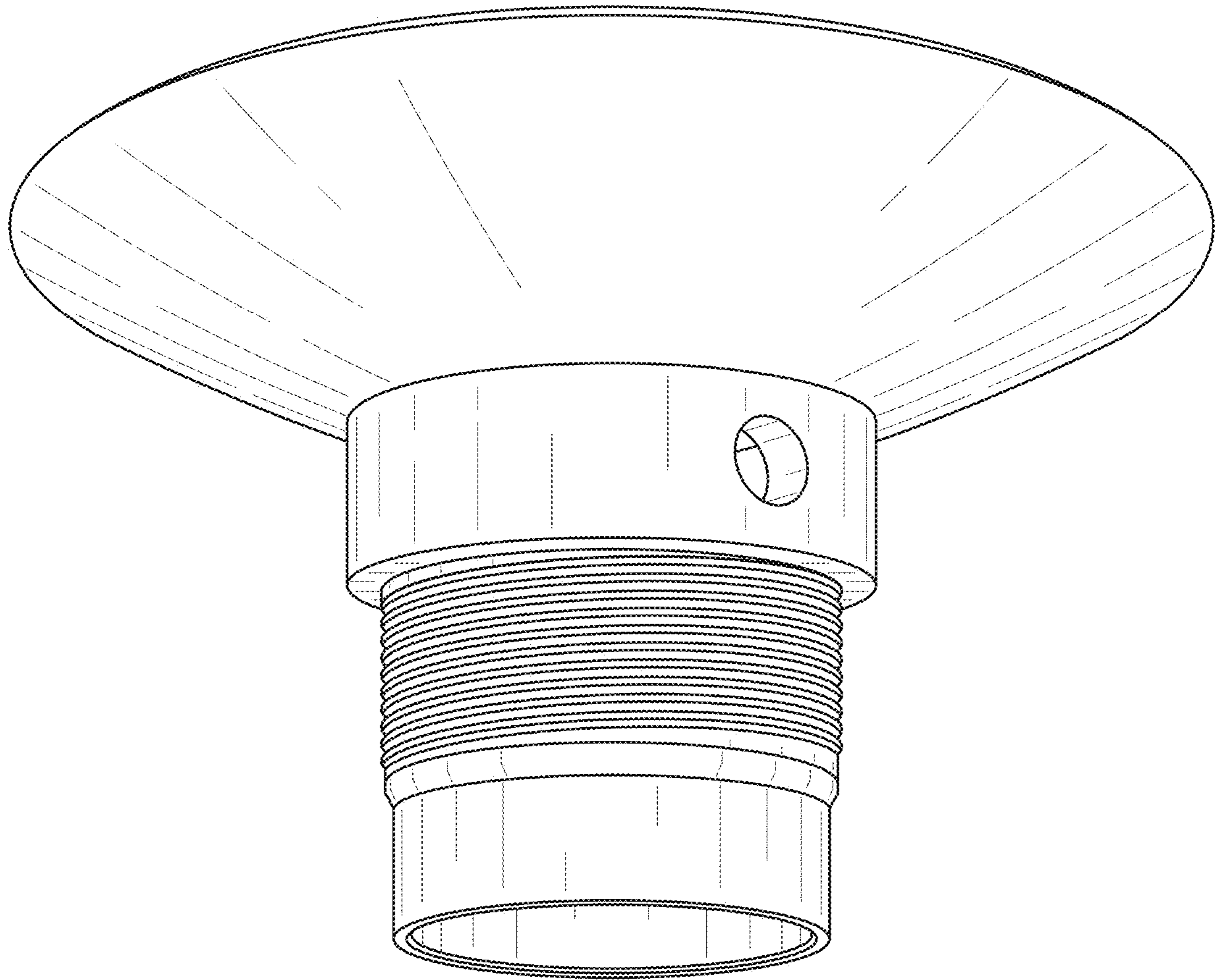


FIG. 1

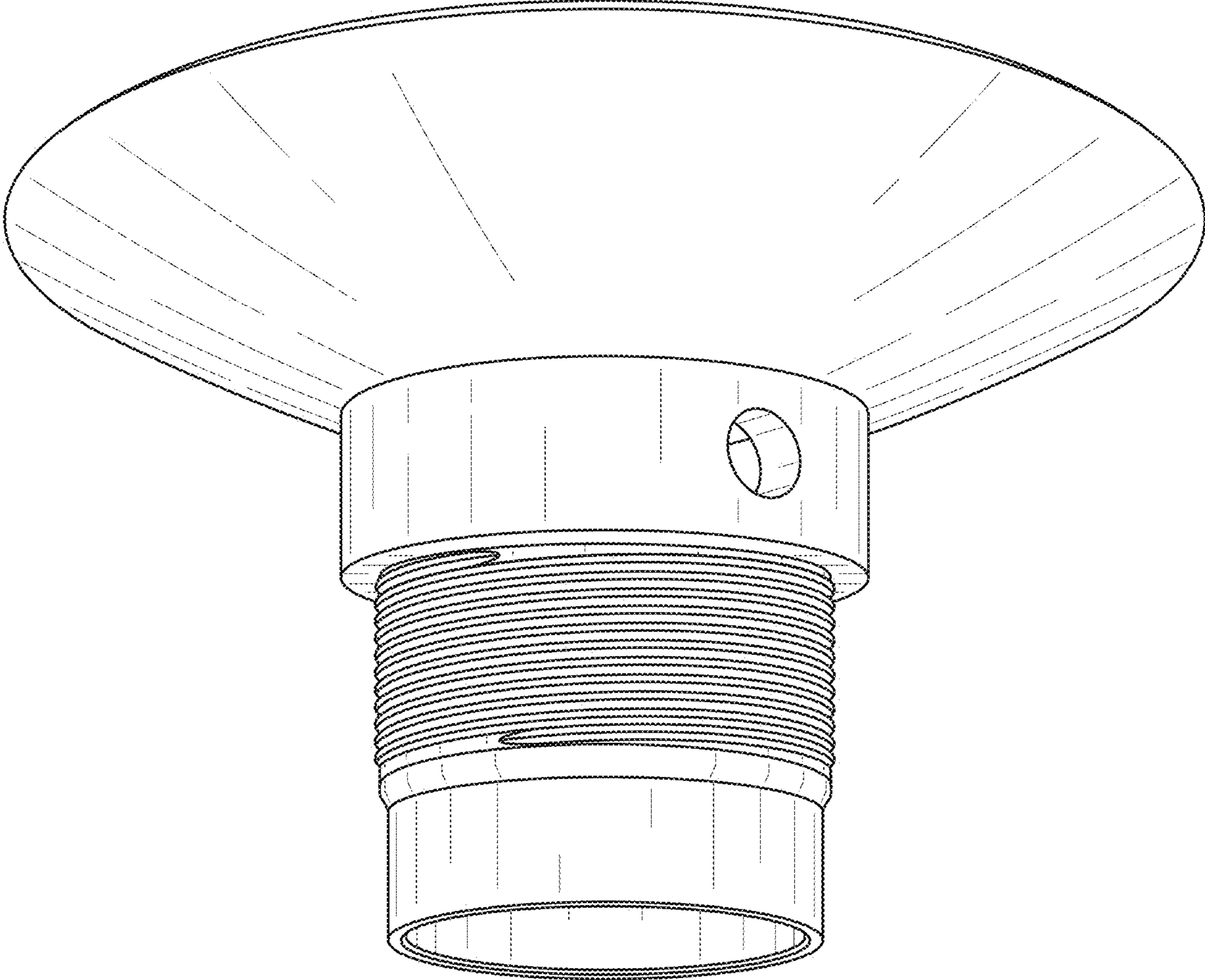
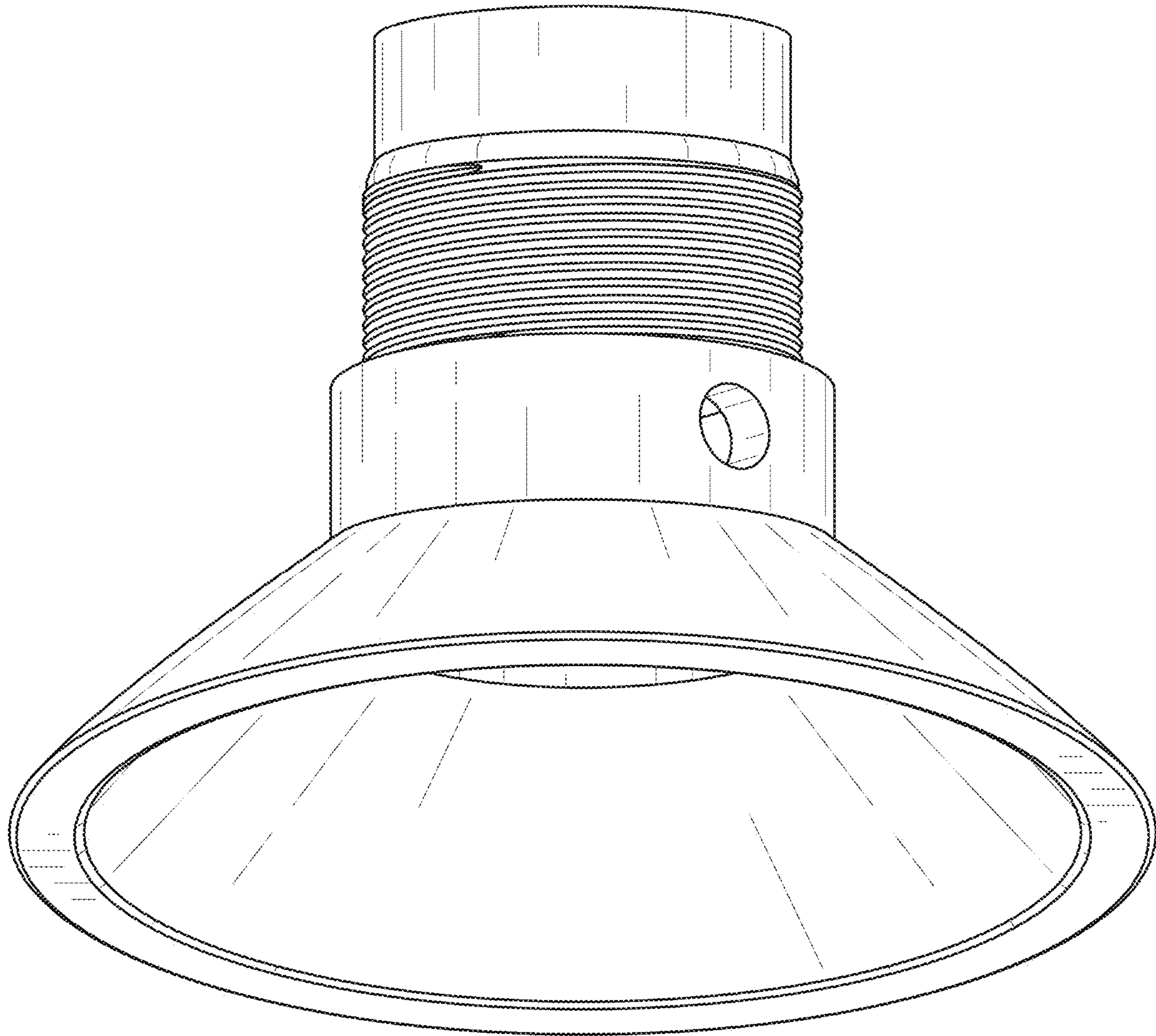


FIG. 2





**FIG. 3**

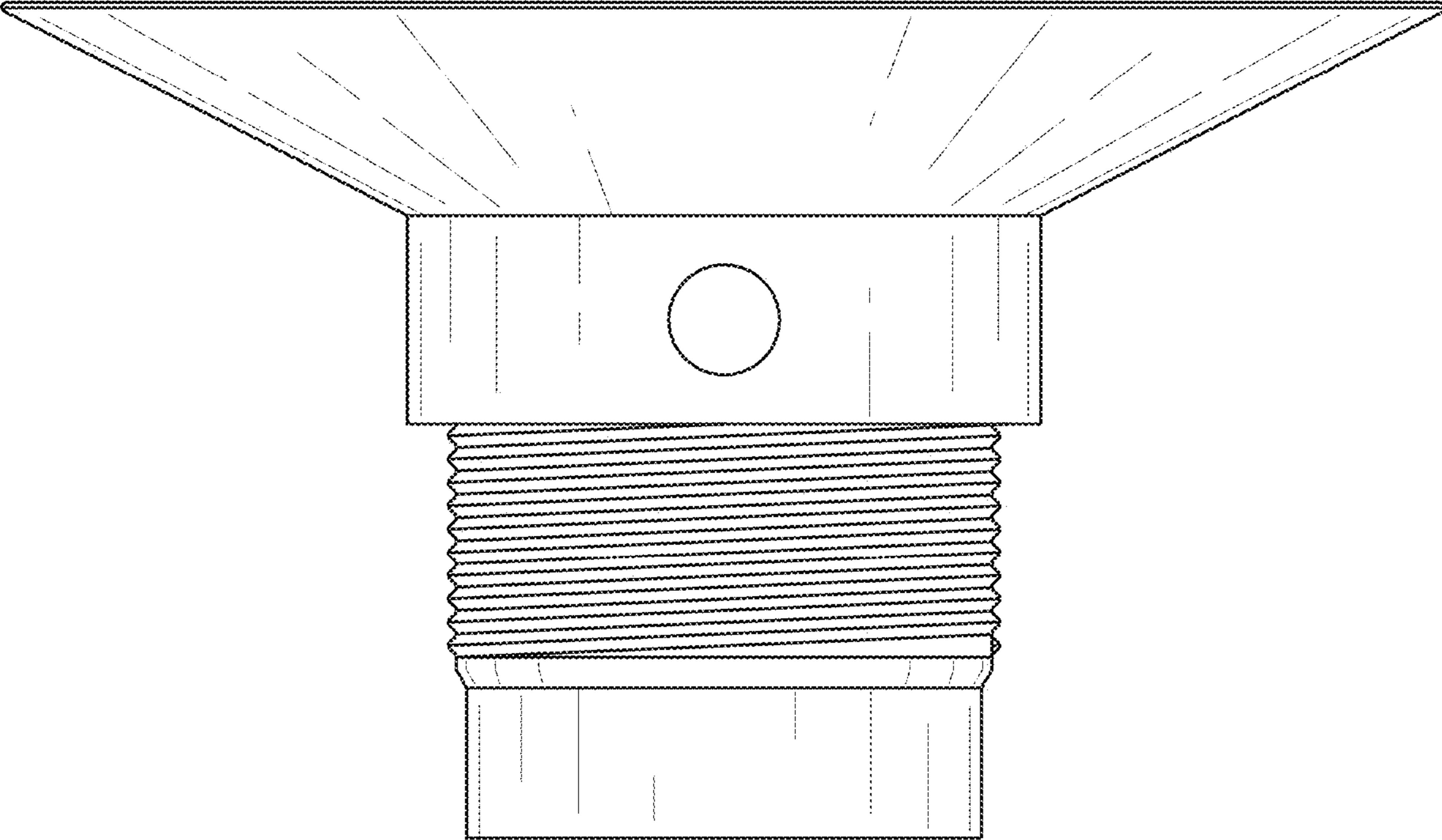


FIG. 4

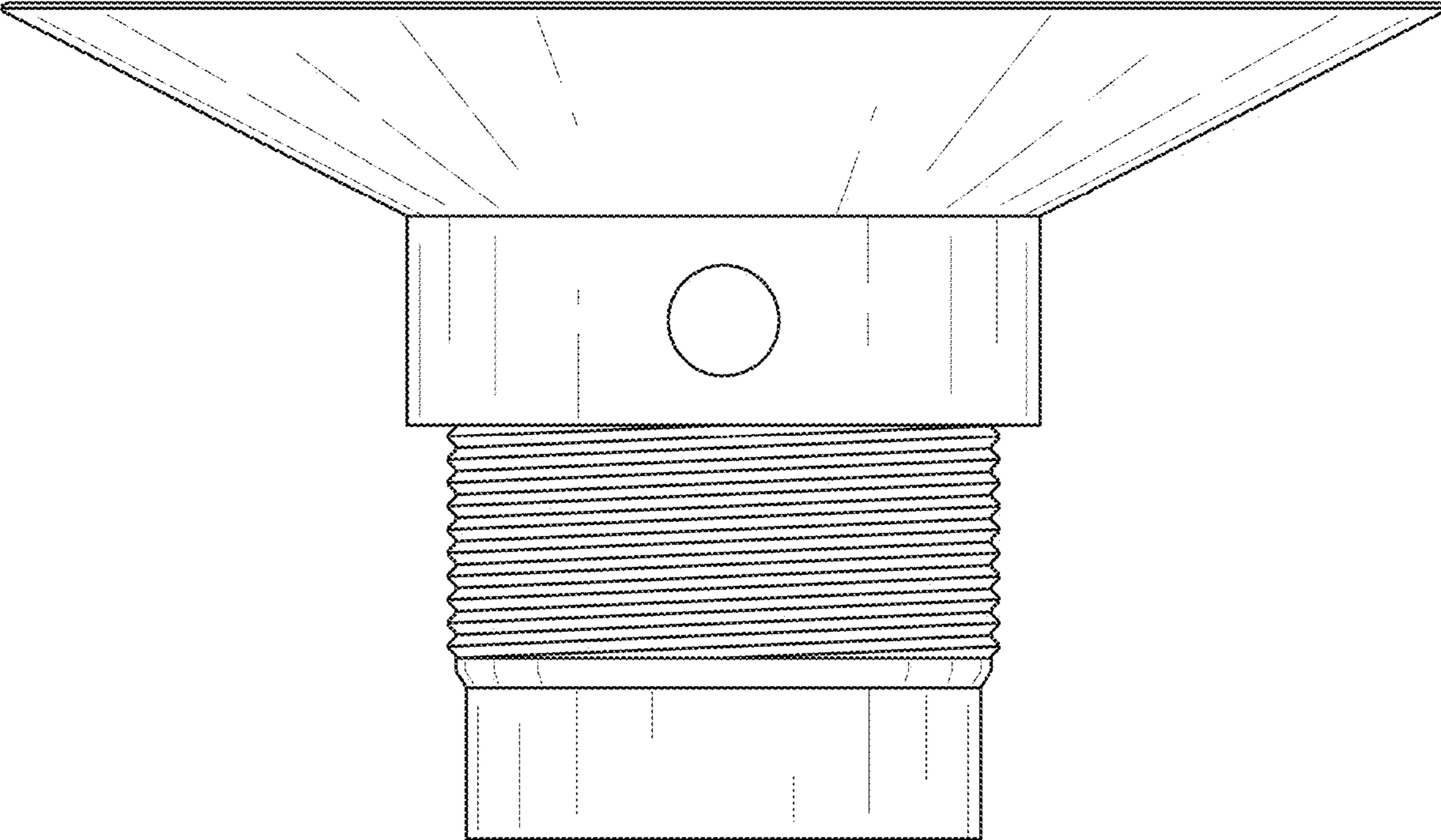
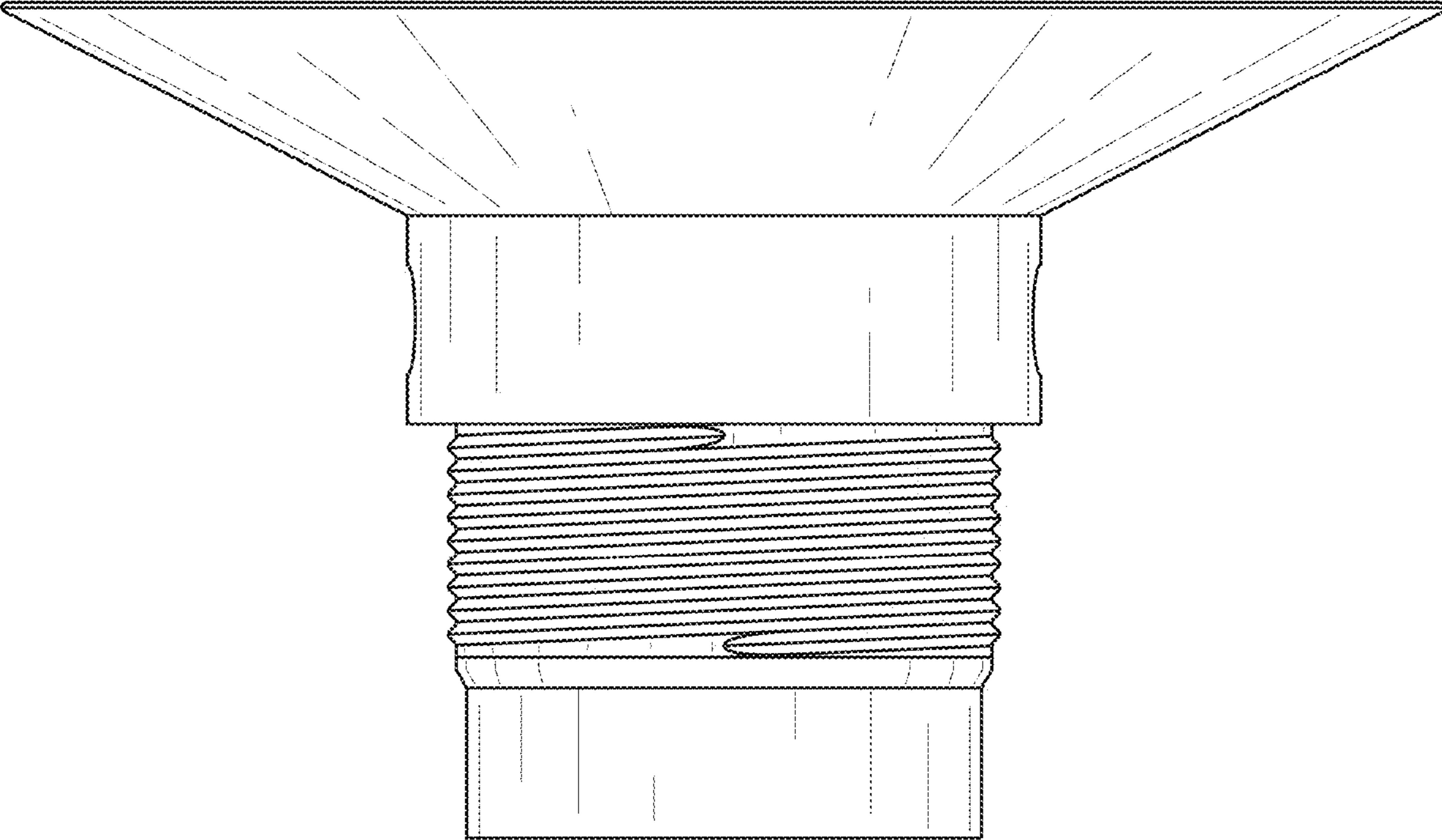
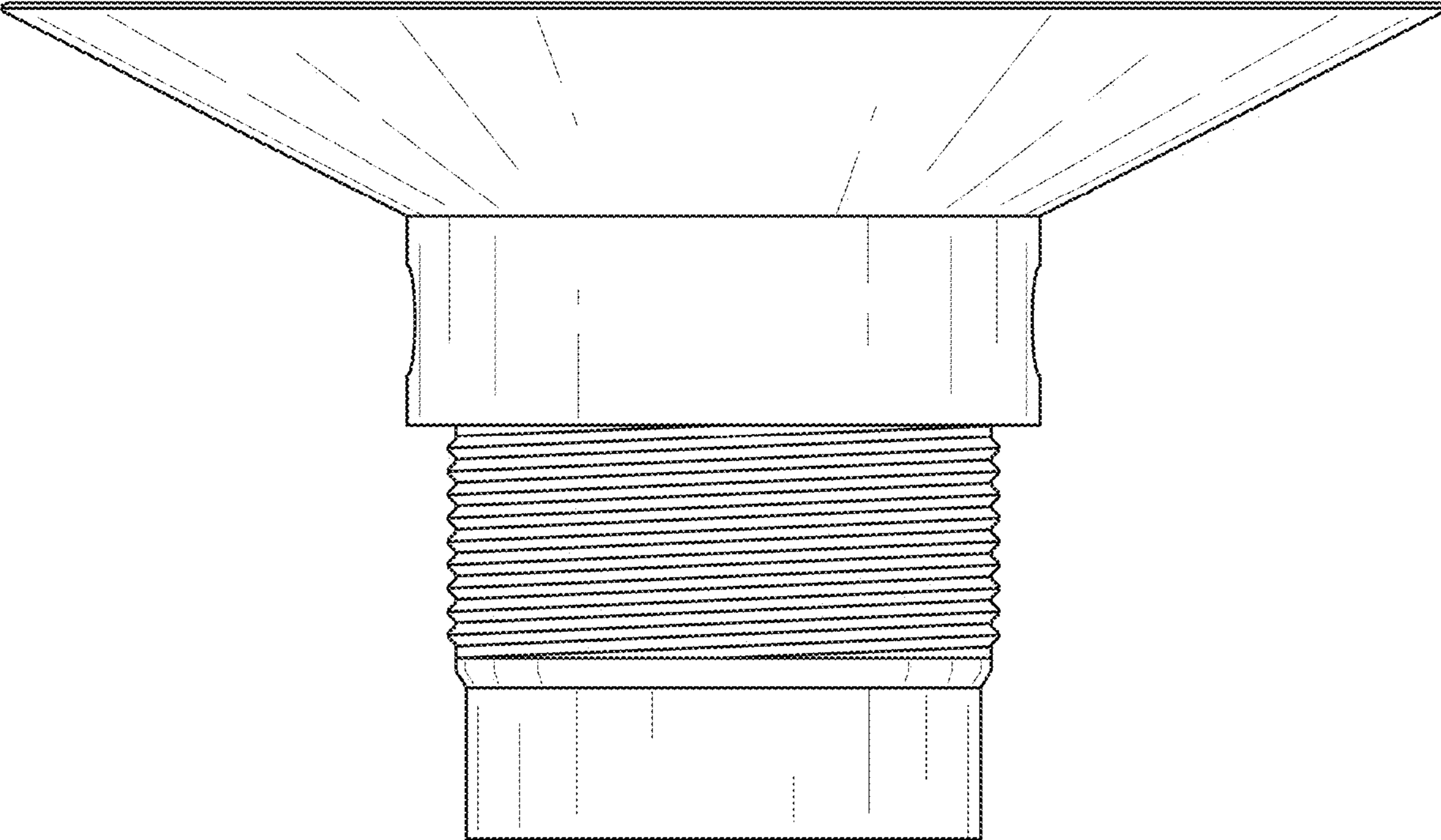


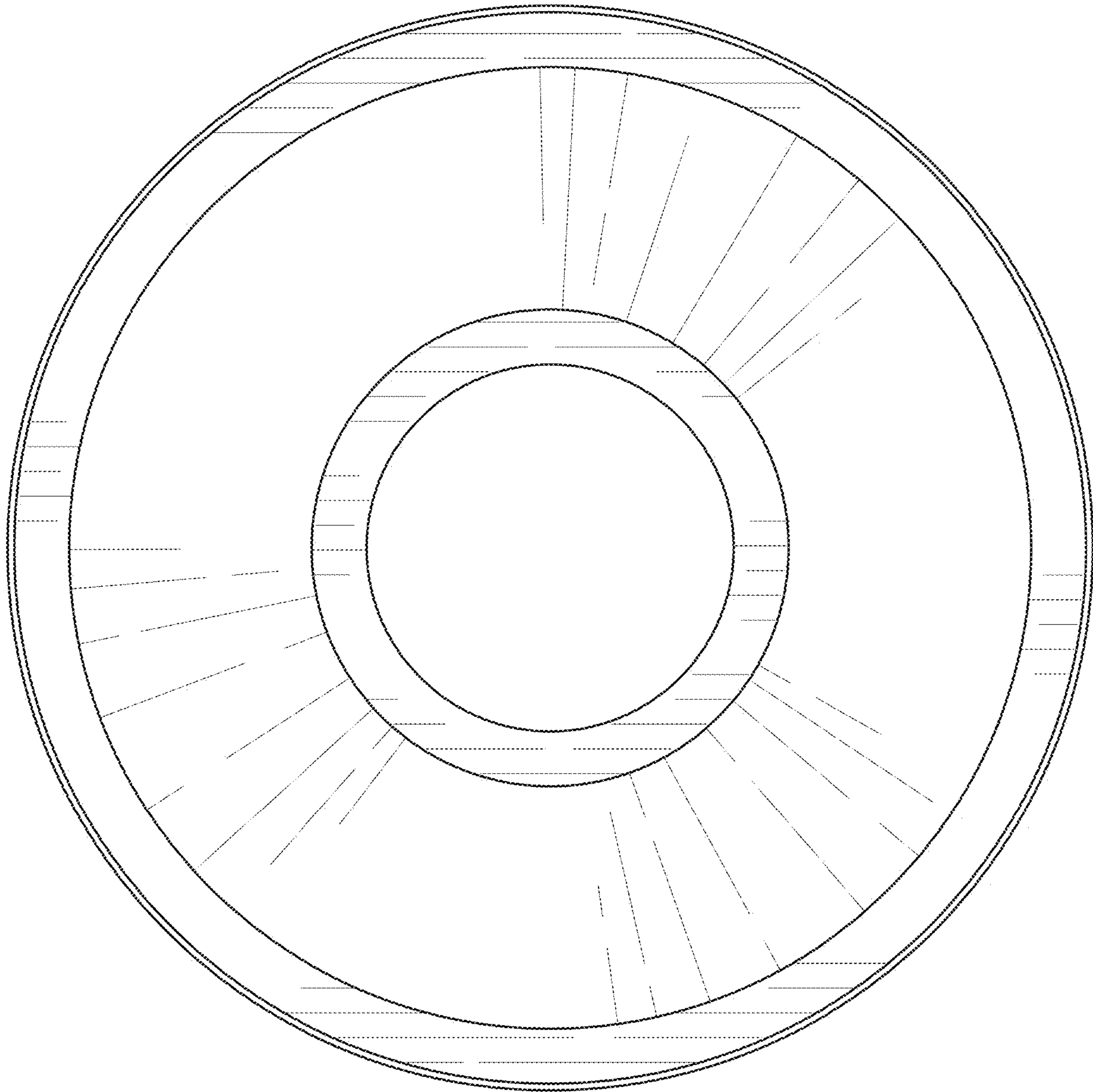
FIG. 5



**FIG. 6**

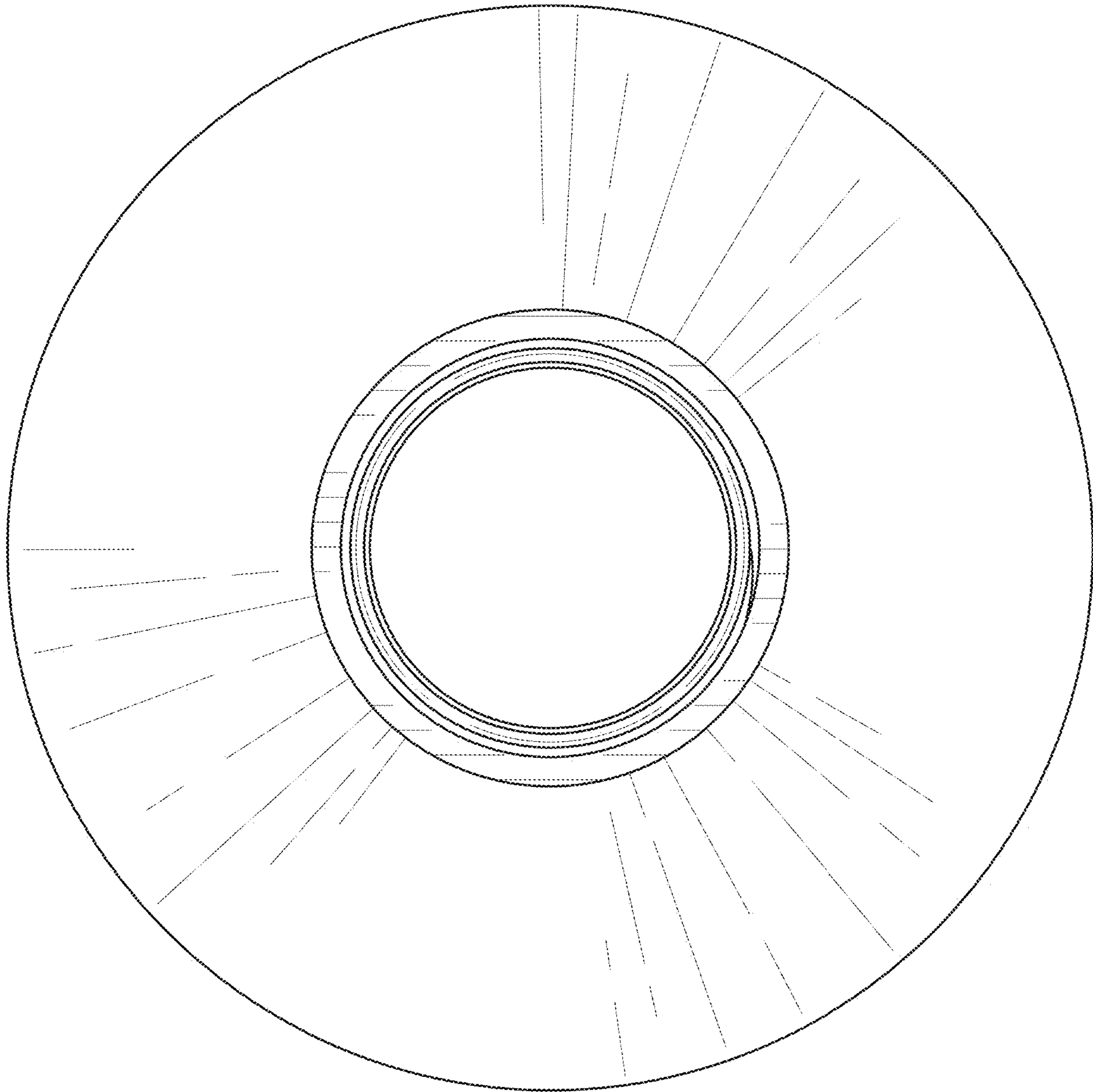


**FIG. 7**



**FIG. 8**





**FIG. 9**