



US00D935487S

(12) **United States Design Patent**  
**Chen**

(10) **Patent No.:** **US D935,487 S**

(45) **Date of Patent:** **\*\* Nov. 9, 2021**

(54) **AIR COMPRESSOR**

(71) Applicant: **Yunkang Chen**, Zhejiang (CN)

(72) Inventor: **Yunkang Chen**, Zhejiang (CN)

(73) Assignee: **Yunkang Chen**, Taizhou (CN)

(\*\*) Term: **15 Years**

(21) Appl. No.: **29/738,498**

(22) Filed: **Jun. 18, 2020**

(51) **LOC (13) Cl.** ..... **15-02**

(52) **U.S. Cl.**  
USPC ..... **D15/7**

(58) **Field of Classification Search**

USPC ..... D13/103, 107; D15/7-9  
CPC ..... F04B 41/00; F04B 41/02; F04B 41/04;  
F04B 41/06; F04B 35/00; F04B 35/06;  
F04B 35/002; F04B 35/86; F04B 31/00;  
F04B 49/00; F04B 25/00; F04B 25/005;  
F04B 25/02; F04B 25/04; F04B 17/03;  
F04B 17/06; F04B 33/005; F04B 33/00;  
F04B 33/02

See application file for complete search history.

(56) **References Cited**

**U.S. PATENT DOCUMENTS**

D588,612 S *	3/2009	Steinfels	.....	D15/7
D667,467 S *	9/2012	Kosugi	.....	D15/9
D668,683 S *	10/2012	Balma	.....	D15/9
D749,643 S *	2/2016	Craig	.....	D15/9
D776,168 S *	1/2017	Balma	.....	D15/9
D792,472 S *	7/2017	Kirkpatrick	.....	D15/7
D880,531 S *	4/2020	Gao	.....	D15/9
D898,776 S *	10/2020	Gao	.....	D15/9
D917,579 S *	4/2021	Nishido	.....	D15/9
2018/0320677 A1 *	11/2018	Thackery	.....	F04B 41/02

**OTHER PUBLICATIONS**

Craftsman, 1.5 Gallon ¾ HP Portable Air Compressor, Max 135 PSI, 1.5 CFM@90psi, Oil Free Air Tank, Electric Air Tool, (first available on Sep. 18, 2019), Amazon.com, URL:<https://www.amazon.com/Craftsman-Compressor-Portable-Oil-Free-CMXECA0200141A/dp/B07Y2WN3NS/> (Year: 2019).\*

(Continued)

*Primary Examiner* — Sheryl Lane

*Assistant Examiner* — Mark T. Philipps

(74) *Attorney, Agent, or Firm* — Dragon Sun Law Firm, PC; Jinggao Li, Esq.

(57) **CLAIM**

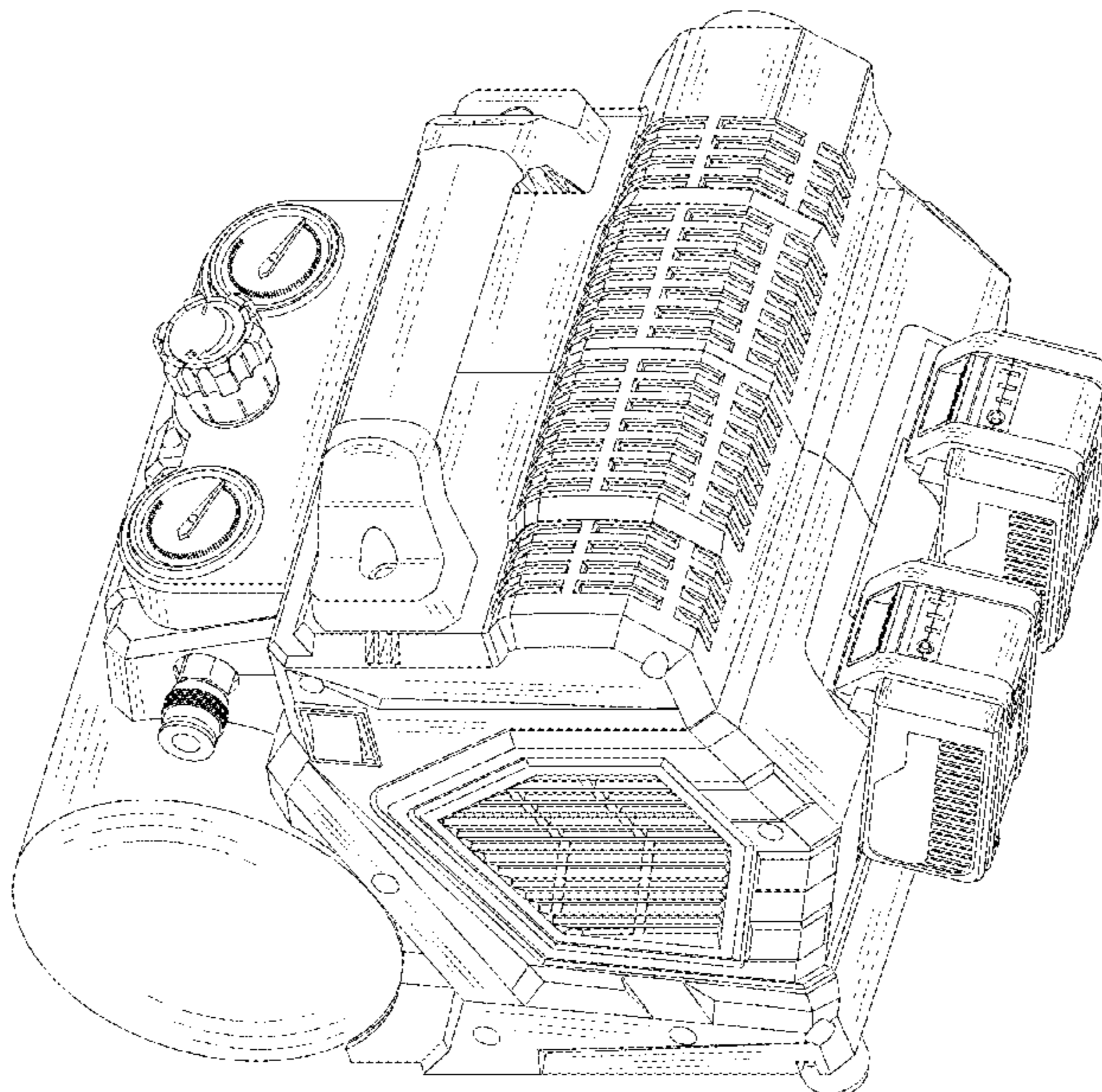
The ornamental design for an air compressor, as shown and described.

**DESCRIPTION**

FIG. 1 is a perspective view of an air compressor showing my new design;  
FIG. 2 is a front elevation view thereof;  
FIG. 3 is a rear elevation view thereof;  
FIG. 4 is a left side elevation view thereof;  
FIG. 5 is a right side elevation view thereof;  
FIG. 6 is a top plan view thereof;  
FIG. 7 is a bottom plan view thereof;  
FIG. 8 is an enlarged view of the air compressor taken from the circle portion in FIG. 6;  
FIG. 9 is another enlarged view of the air compressor taken from the circle portion in FIG. 6;  
FIG. 10 is another enlarged view of the air compressor taken from the circle portion in FIG. 6; and,  
FIG. 11 is an enlarged view of the air compressor taken from the circle portion in FIG. 3.

The broken lines shown on the drawings depict portions of the air compressor that form no part of the claimed design.

**1 Claim, 11 Drawing Sheets**



(56)

**References Cited**

OTHER PUBLICATIONS

Marvel, Rechargeable Brushless Motor 1.5 Gallons 120 PSI 4.0/5.0AH cordless rechargeable hand-held car air compressor, (site visited Jul. 10, 2021), Alibaba.com, URL:<[https://www.alibaba.com/product-detail/MARVEL-Rechargeable-Brushless-Motor-1-5\\_62403101184.html](https://www.alibaba.com/product-detail/MARVEL-Rechargeable-Brushless-Motor-1-5_62403101184.html)> (Year: 2021).\*

Chicago Pneumatic, HCP-1116-1.5 HP 120 Volt Electric 1.6 Gallon Horizontal Air Compressor Max 115 PSI, (site visited Jul. 10, 2021), Amazon.com, URL:<<https://www.amazon.com/Chicago-Pneumatic-HCP-1116-1-5-Horizontal-Compressor/dp/B08YP9KKTY/>> (Year: 2021).\*

\* cited by examiner

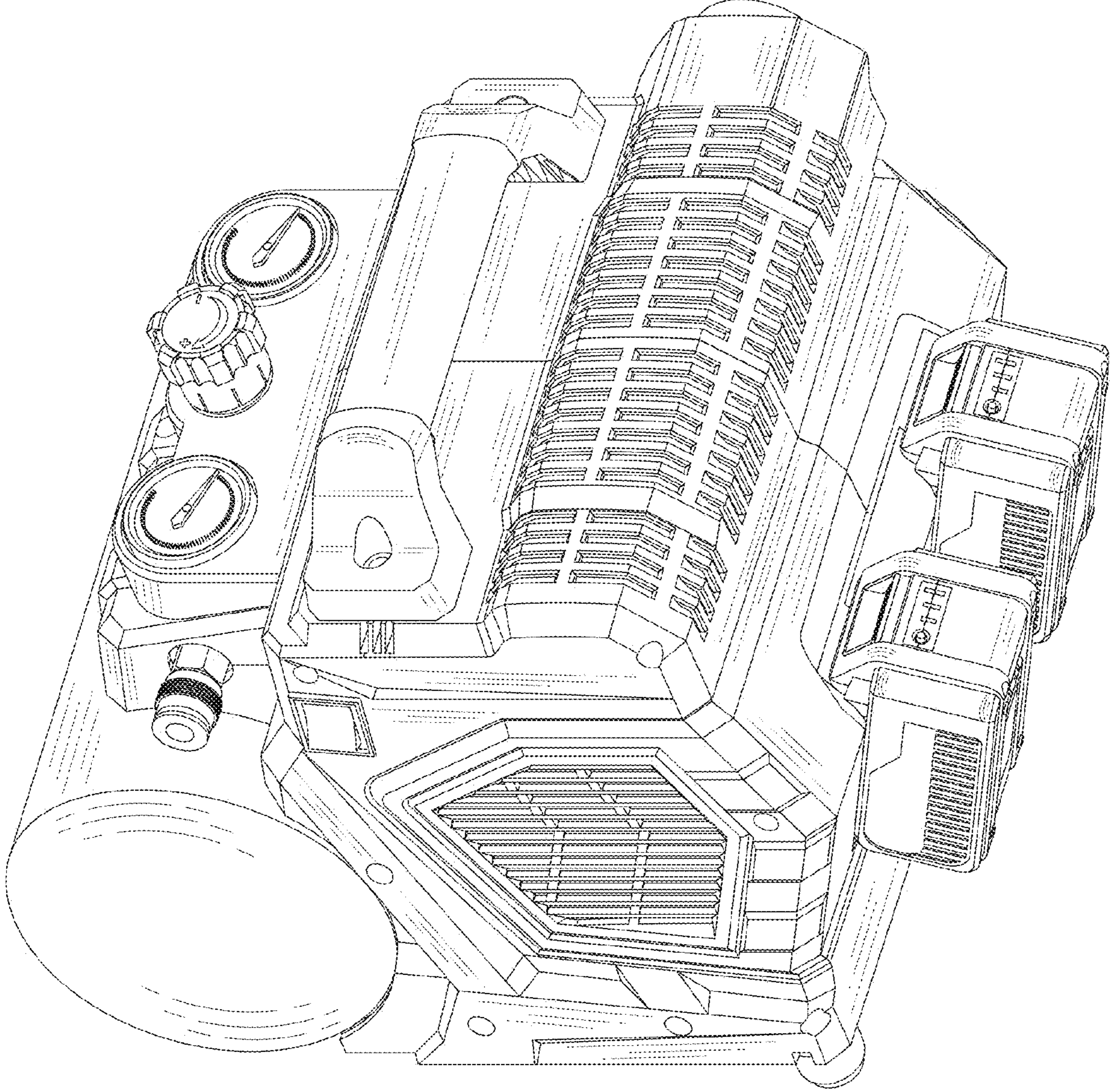


FIG. 1

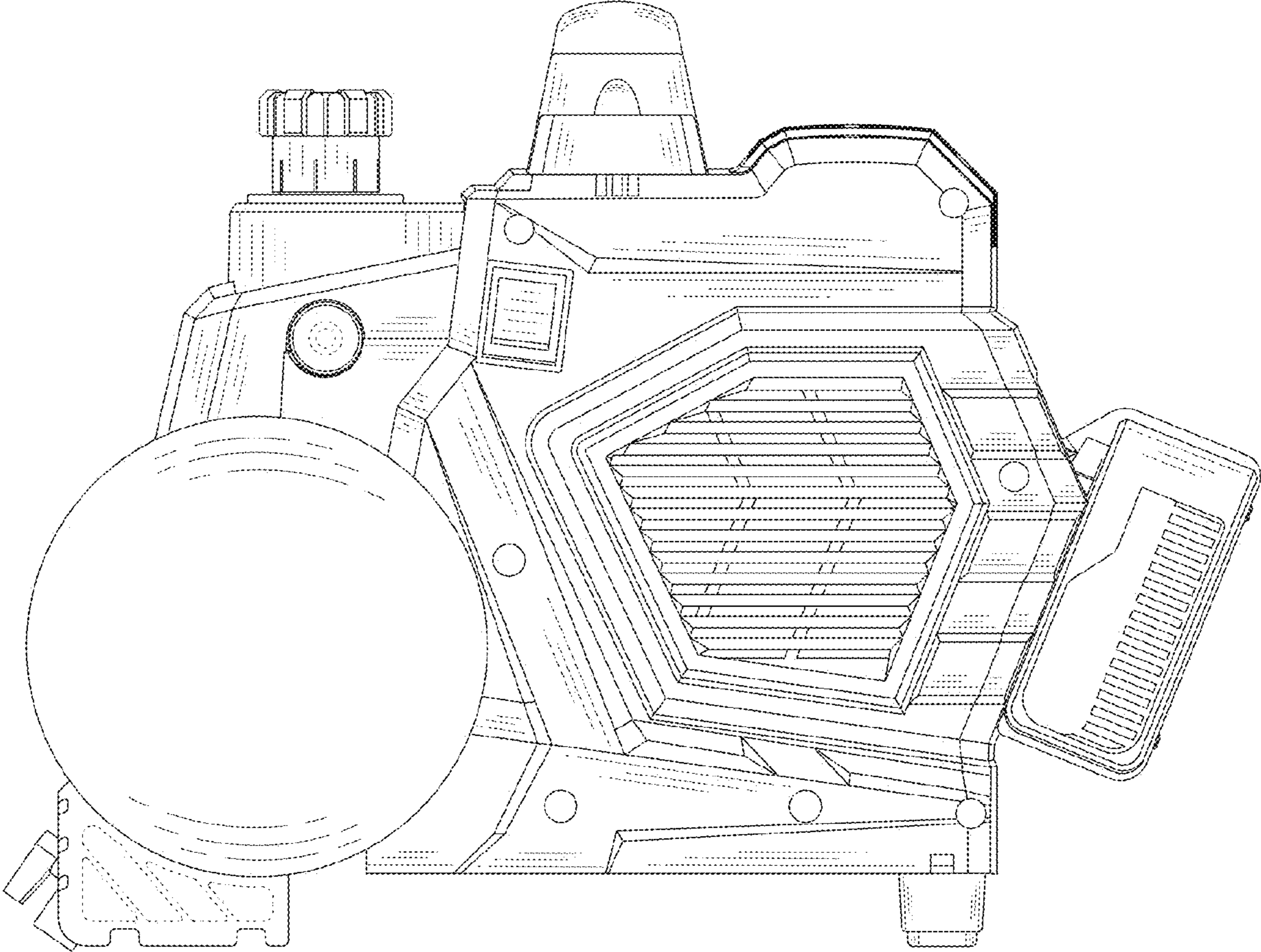


FIG. 2

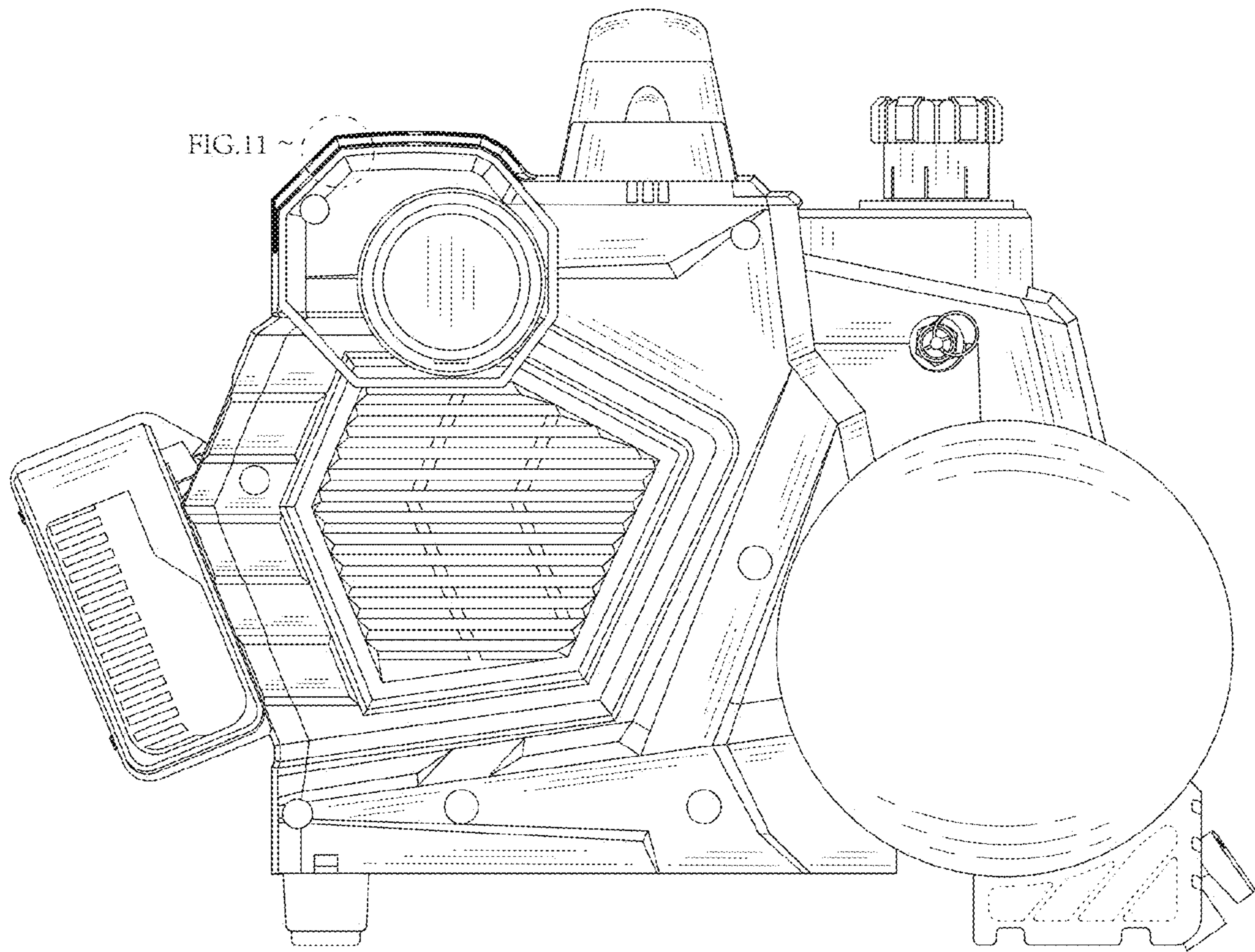


FIG. 3

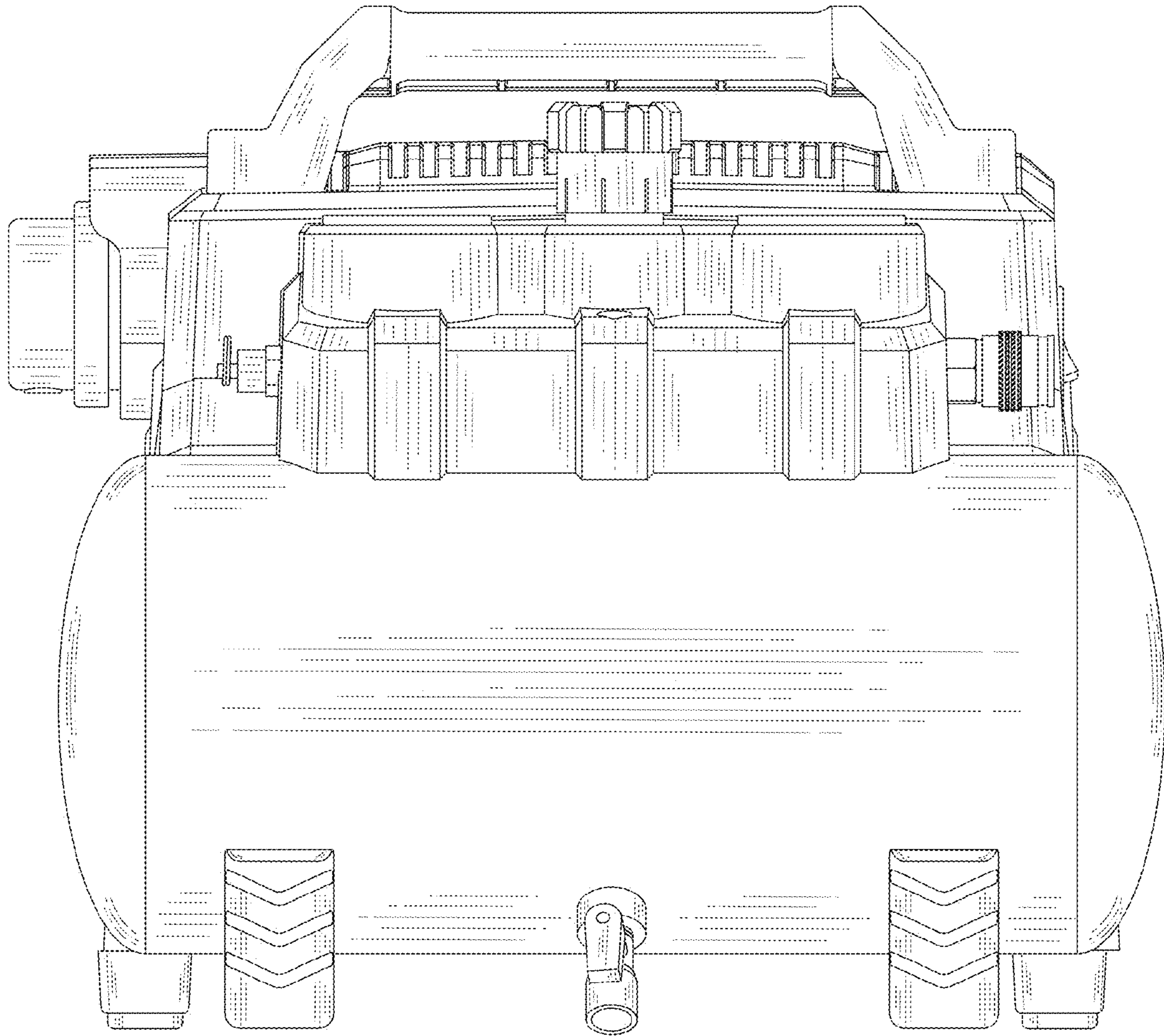


FIG. 4

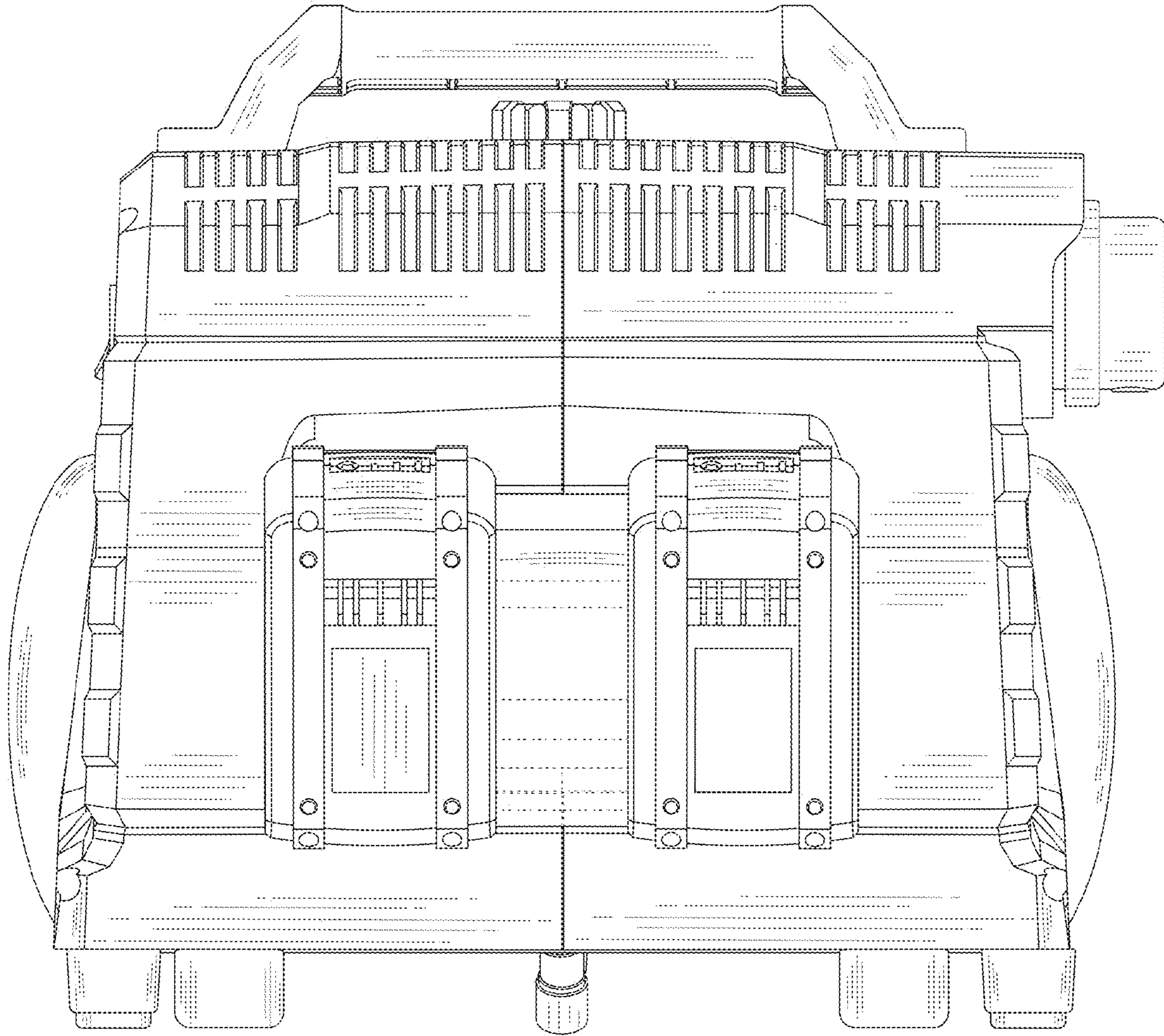


FIG. 5

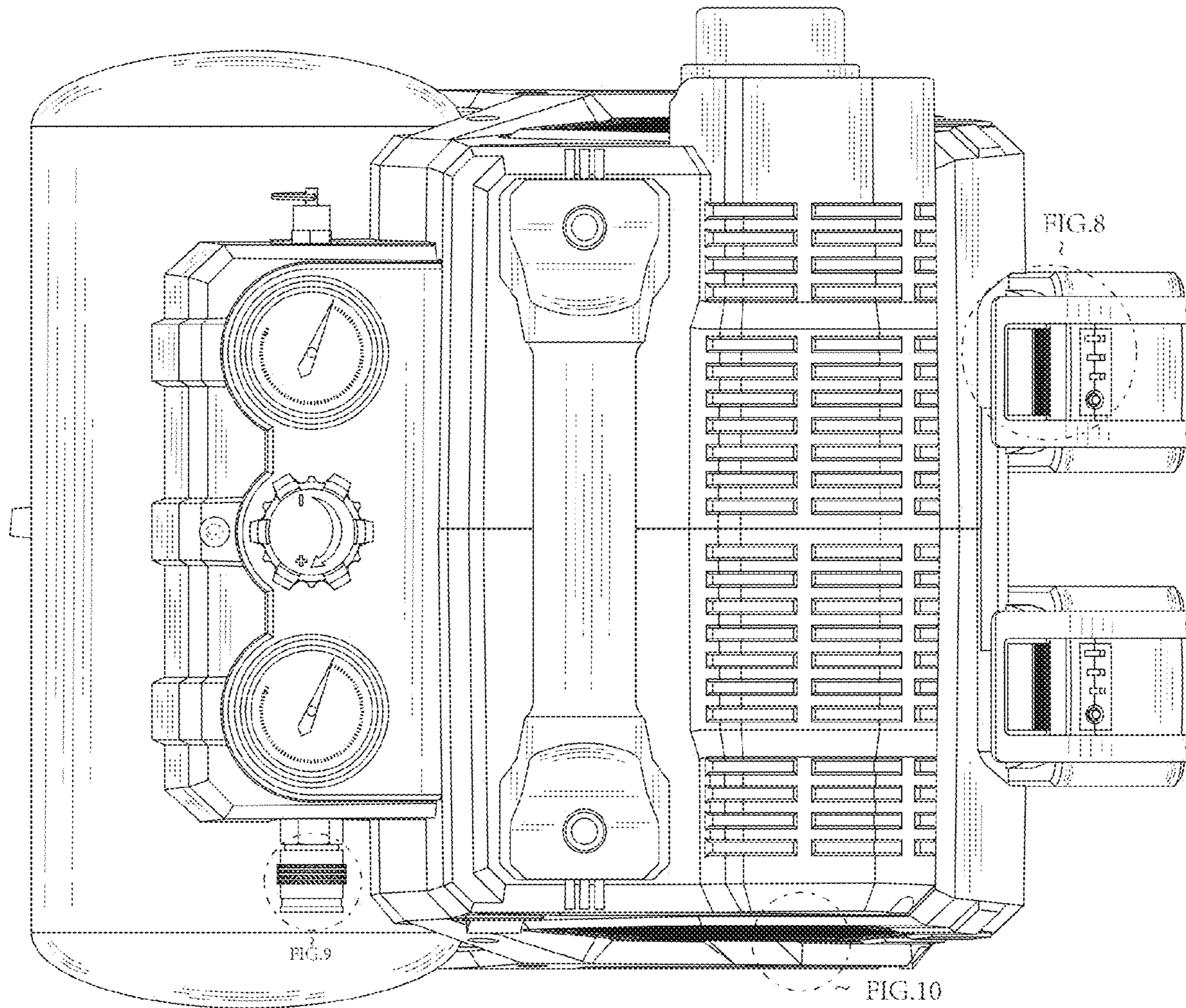


FIG. 6



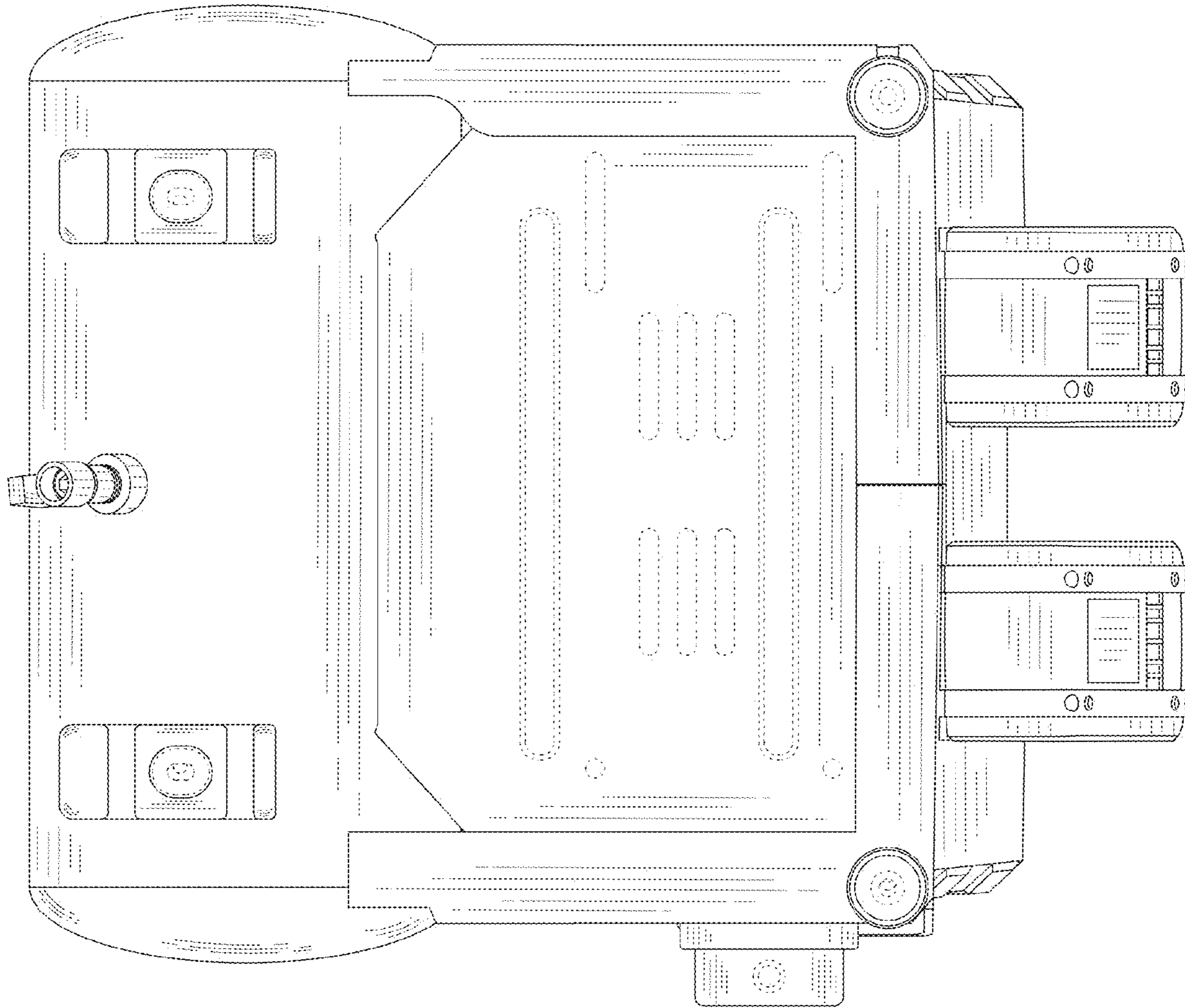


FIG. 7

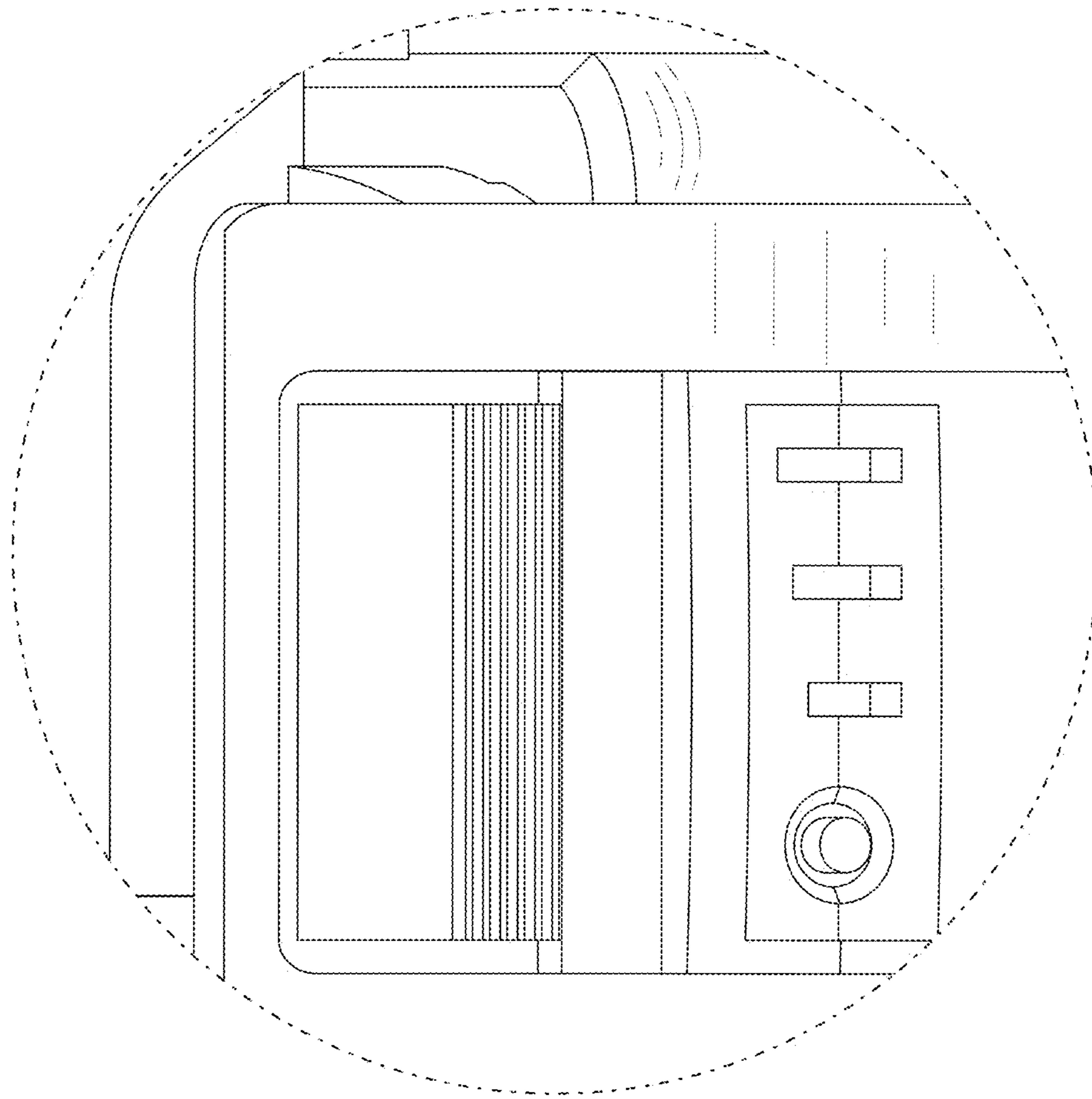


FIG. 8

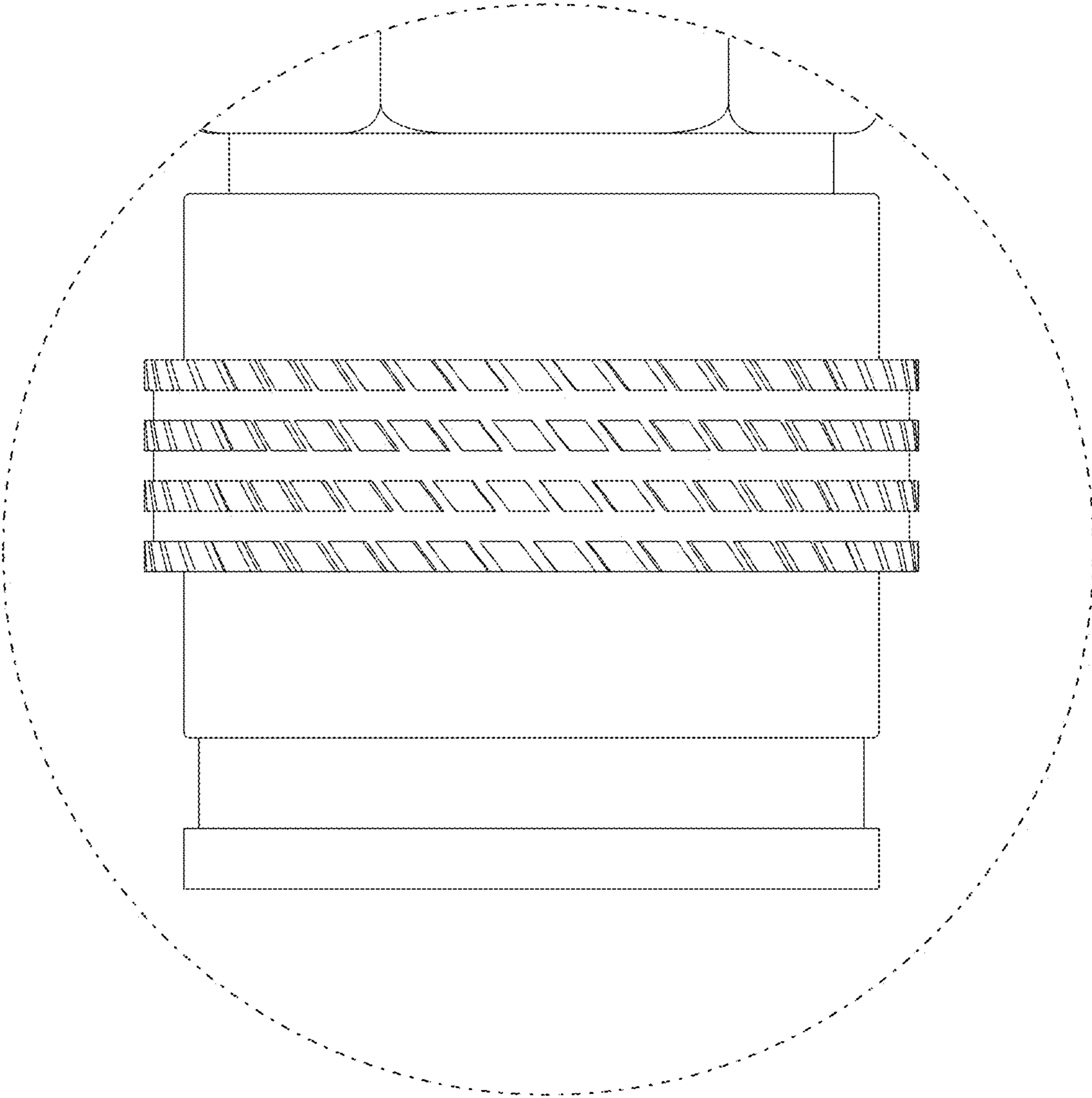


FIG. 9

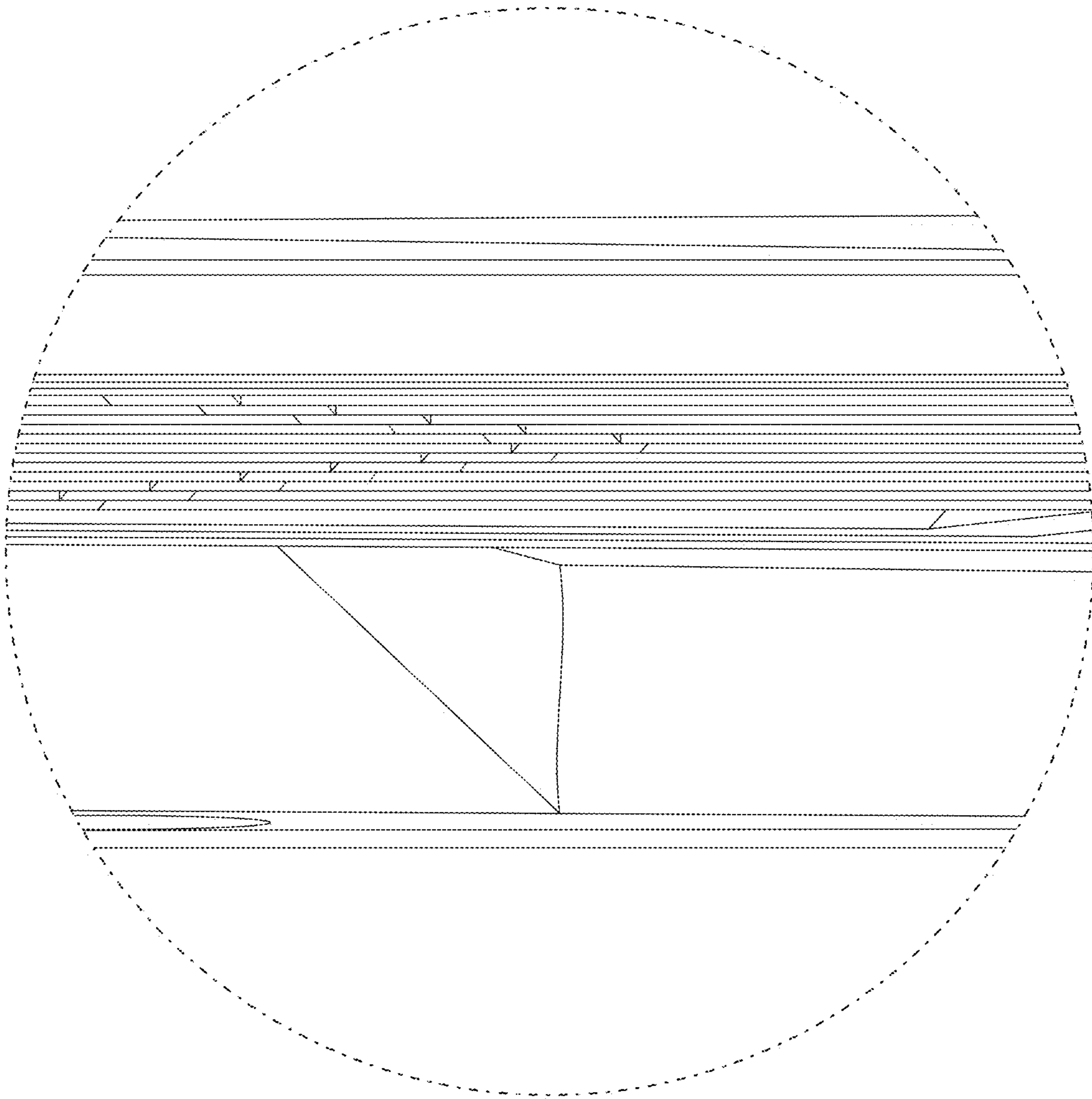


FIG. 10

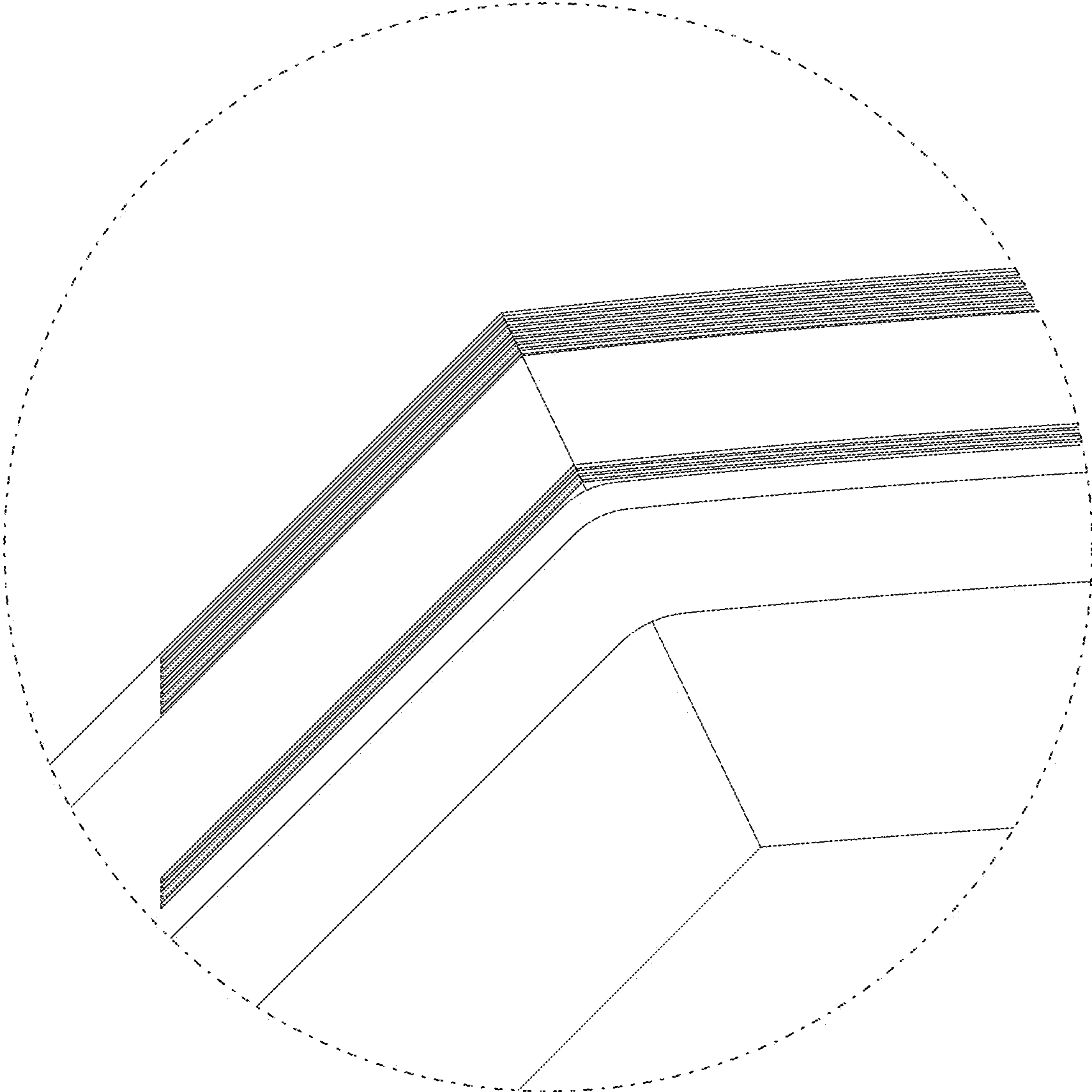


FIG. 11