



US00D935486S

(12) **United States Design Patent** (10) **Patent No.:** **US D935,486 S**
Pierce et al. (45) **Date of Patent:** **** Nov. 9, 2021**

(54) **PUMP CONTAINMENT UNIT** 6,364,748 B1 * 4/2002 Zwicker B24C 9/00
451/38
(71) Applicant: **MPW INDUSTRIAL SERVICES** D882,651 S * 4/2020 Moser D15/135
GROUP, INC., Hebron, OH (US) D907,077 S * 1/2021 Gjovik D15/122
(Continued)

(72) Inventors: **Justin James Pierce**, Granville, OH
(US); **Neil Andrew Dewitt**, Granville,
OH (US); **Garrett J. Petty**, Columbus,
OH (US)

(73) Assignee: **MPW INDUSTRIAL SERVICES**
GROUP, INC., Hebron, OH (US)

(**) Term: **15 Years**

(21) Appl. No.: **29/730,616**

(22) Filed: **Apr. 7, 2020**

(51) **LOC (13) Cl.** **15-02**

(52) **U.S. Cl.**
USPC **D15/7**

(58) **Field of Classification Search**
USPC D15/7-9, 20, 21, 83, 122-125, 135, 141,
D15/141.1, 145, 147, 199; D34/1.1;
D7/339, 374, 386, 667, 668; D25/33;
D99/99
CPC ... B24C 9/00; B01F 5/06; B08B 15/02; B07B
1/22; B05C 15/00; G10K 11/002; G10K
11/16
See application file for complete search history.

(56) **References Cited**

U.S. PATENT DOCUMENTS

2,369,396 A * 2/1945 Higginbotham A61G 11/00
600/22
D242,872 S * 12/1976 Wheeler D15/199
4,300,318 A * 11/1981 Brown B24C 3/02
451/38
4,892,830 A * 1/1990 Findley B01L 1/00
236/3
5,460,564 A * 10/1995 Bowes B24C 9/00
312/263

OTHER PUBLICATIONS

Prominent, Pump Shelf with Containment, (site visited Sep. 22,
2021), Prominent.us website, URL:<https://www.prominent.us/products/Pumps_Systems/Systems_Packages/Pump_Shelf> (Year:
2021).*

(Continued)

Primary Examiner — Sheryl Lane
Assistant Examiner — Mark T. Philipps
(74) *Attorney, Agent, or Firm* — Tucker Ellis LLP; Carlos
Garritano

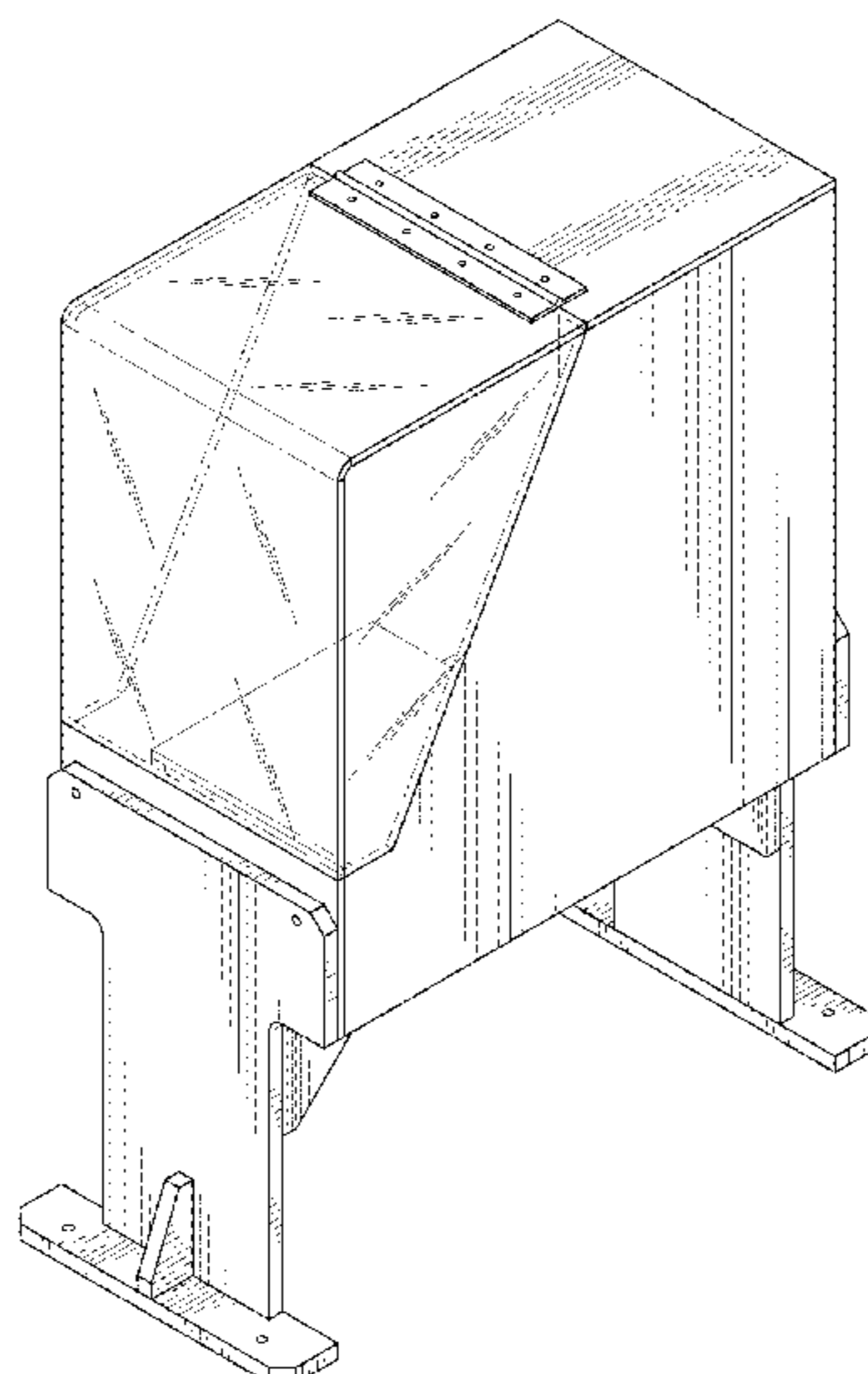
(57) **CLAIM**

The ornamental design for a pump containment unit, as
shown and described.

DESCRIPTION

FIG. 1 is a top perspective view of the pump containment
unit showing our new design;
FIG. 2 is a bottom perspective of the pump containment unit
illustrated in FIG. 1;
FIG. 3 is a front view of the pump containment unit
illustrated in FIG. 1;
FIG. 4 is a rear view of the pump containment unit illustrated
in FIG. 1;
FIG. 5 is a left side view of the pump containment unit
illustrated in FIG. 1;
FIG. 6 is a right side view of the pump containment unit
illustrated in FIG. 1;
FIG. 7 is a top view of the pump containment unit illustrated
in FIG. 1; and
FIG. 8 is a bottom view of the pump containment unit
illustrated in FIG. 1.

1 Claim, 6 Drawing Sheets



(56)

References Cited

U.S. PATENT DOCUMENTS

2008/0315738 A1* 12/2008 Tan B24C 9/00
312/258
2013/0295822 A1* 11/2013 Robinson B24C 9/00
451/89
2016/0001420 A1* 1/2016 Robinson B24C 9/00
451/38
2016/0023491 A1* 1/2016 Vellutato, Jr. B65H 31/00
312/50
2020/0254689 A1* 8/2020 Gjovik B33Y 10/00

OTHER PUBLICATIONS

TMC Vibration Control, Multi-Purpose Acoustic Enclosures, (site visited Sep. 22, 2021), Techmfg.com website, URL:<<https://www.techmfg.com/products/acoustic-enclosure-and-precision-structure/multi-purposeacousticenclosures>> (Year: 2021).*

Peabody Engineering, 1 Pump Horizontal Pump Enclosure #253-31187, (site visited Sep. 22, 2021), Grainger.com, URL:<<https://www.grainger.com/product/406U22>> (Year: 2021).*

Stacey James, "Soundproof enclosure and general questions", (May 2017), Inventables website, URL:<<https://discuss.inventables.com/t/soundproof-enclosure-and-general-questions/37841>> (Year: 2017).*

* cited by examiner

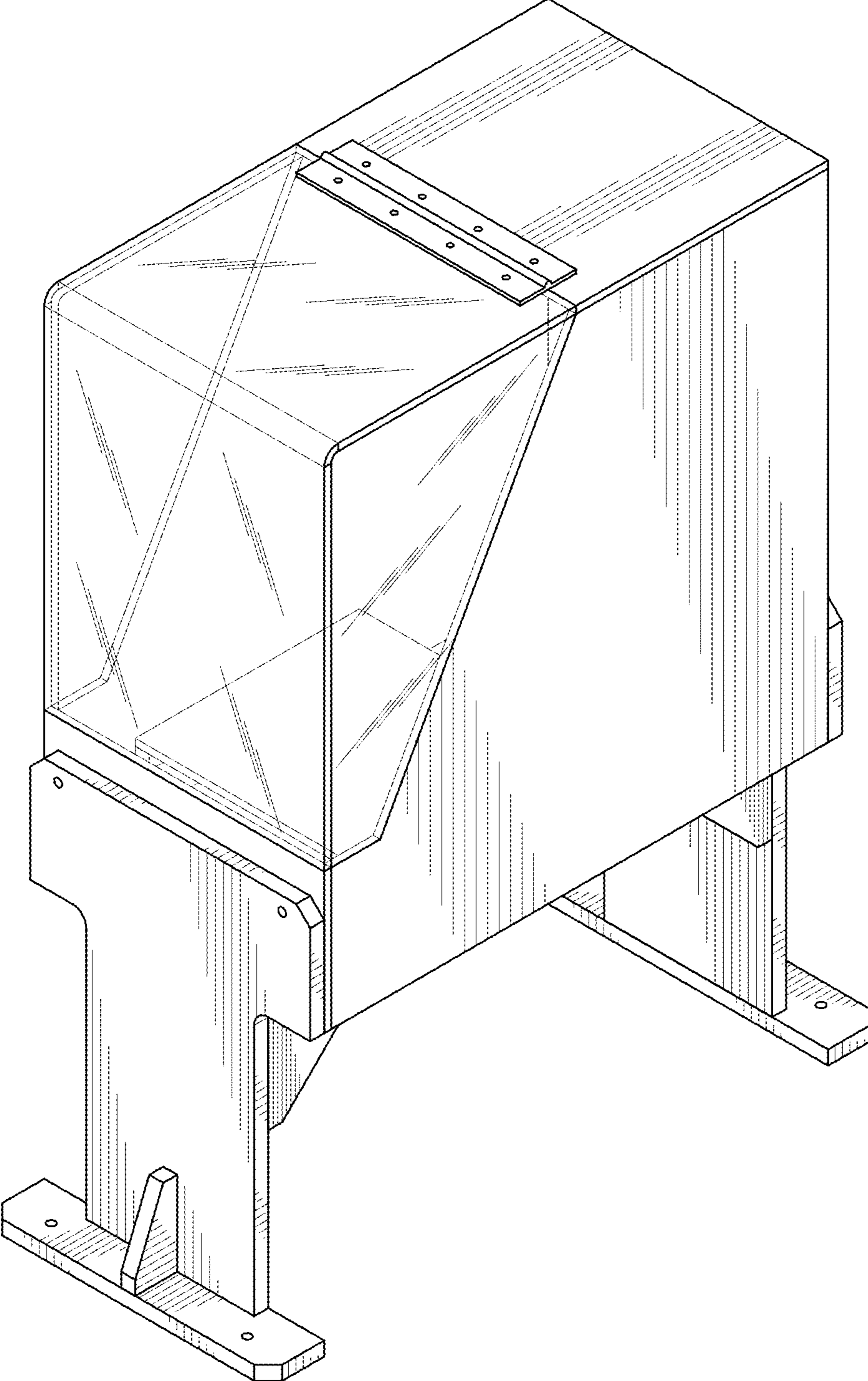


FIG.1

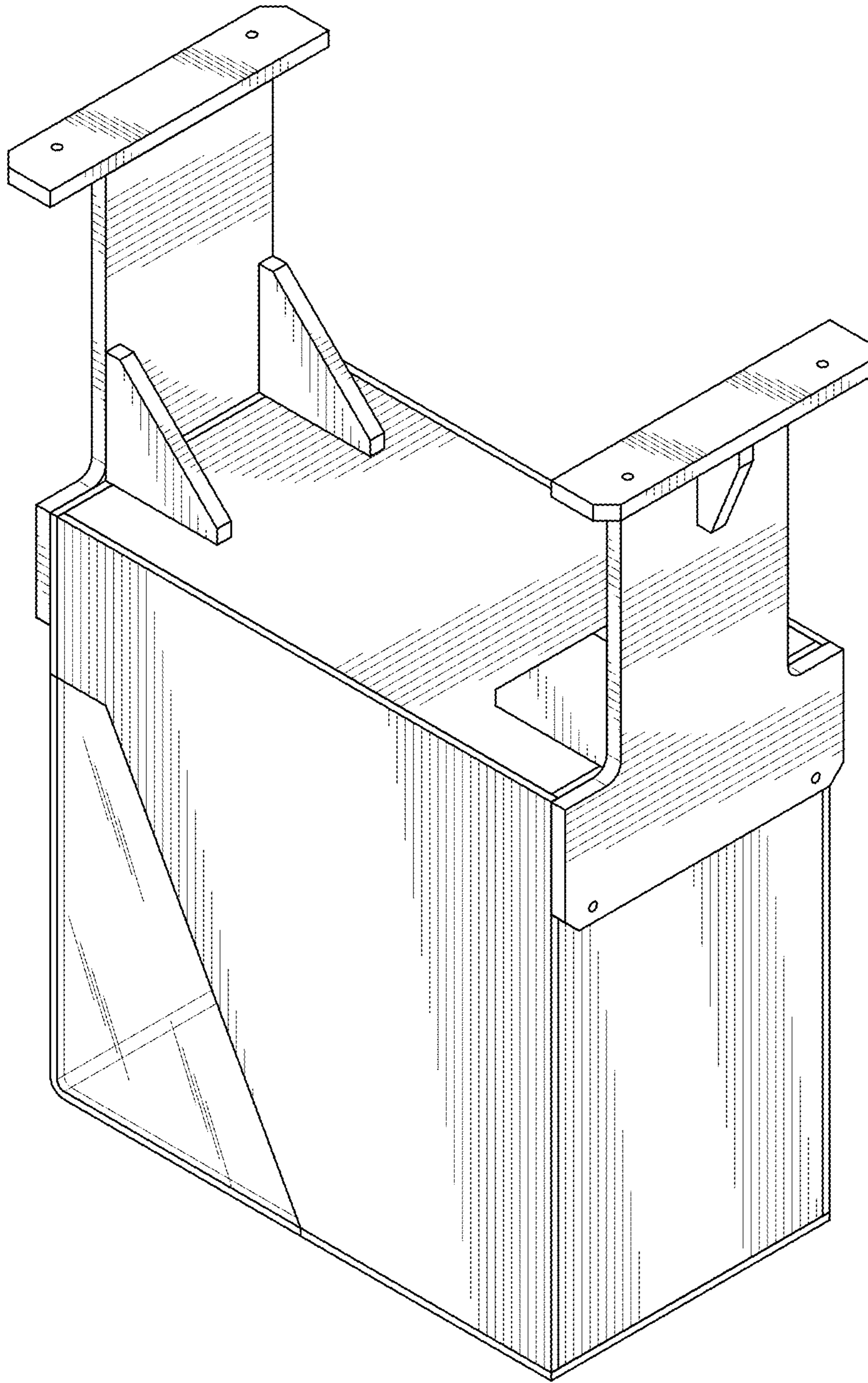


FIG.2

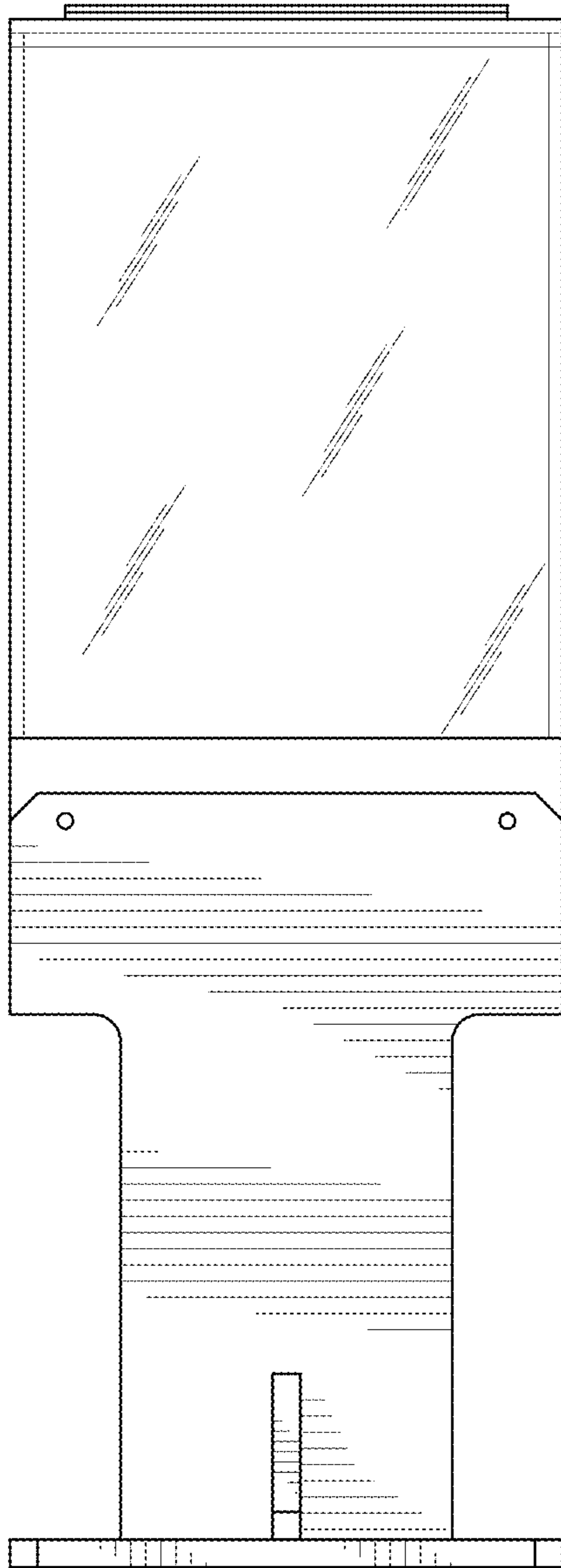


FIG.3

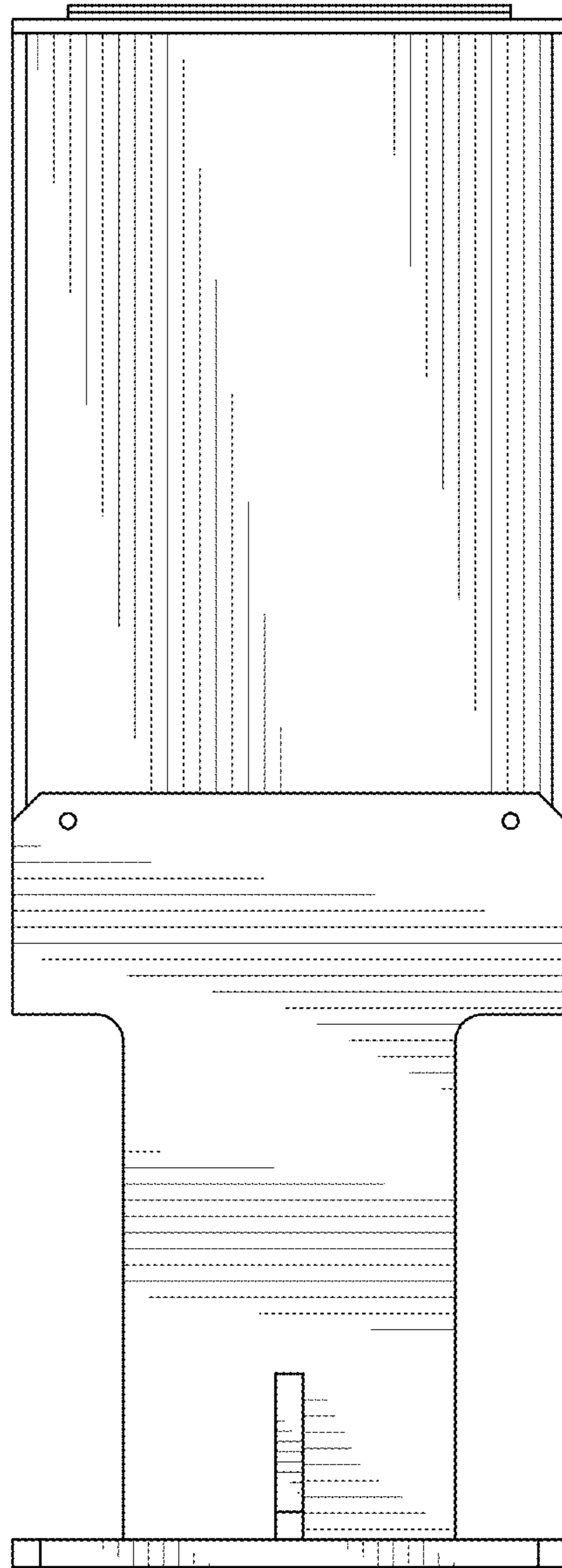


FIG.4

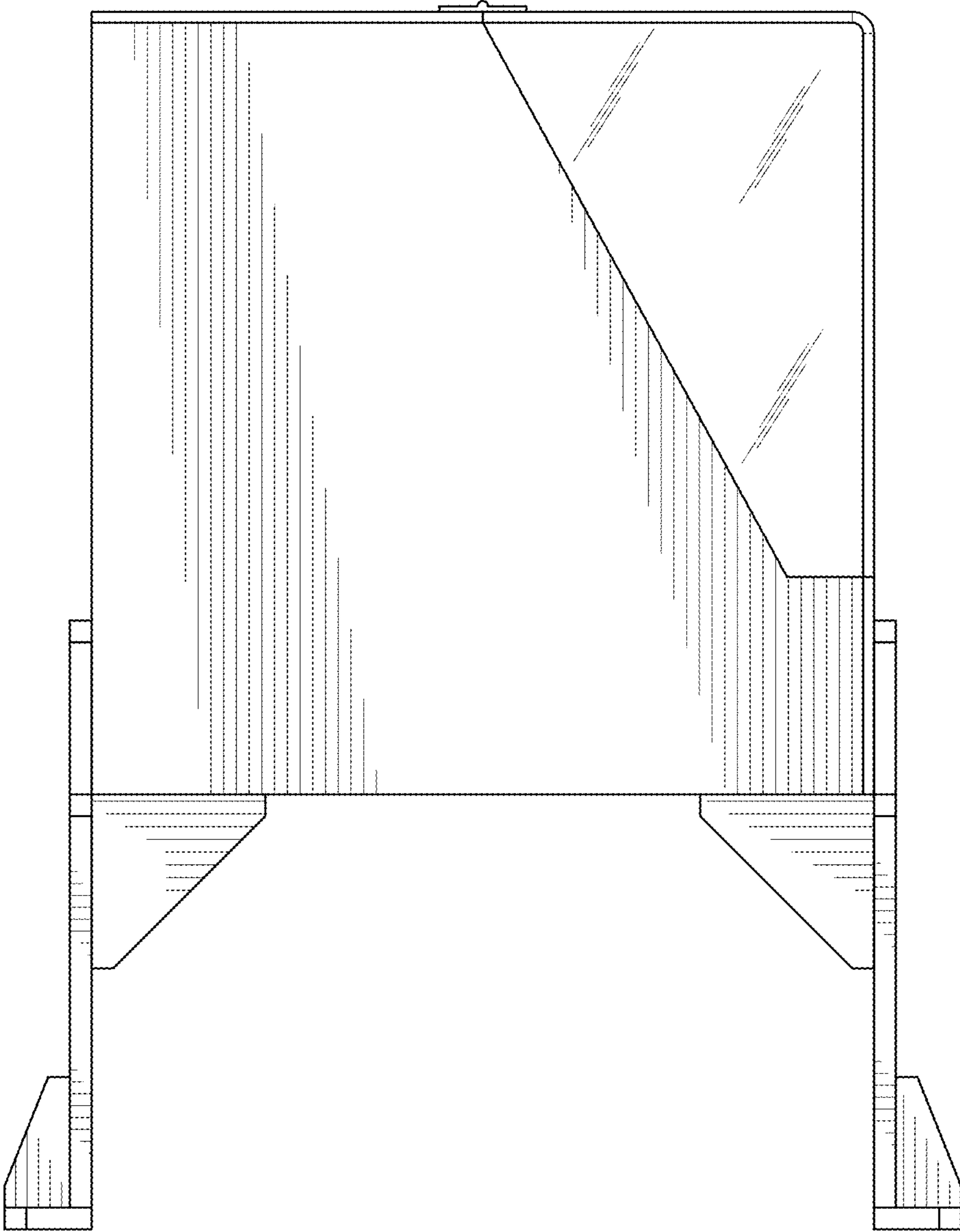


FIG.5

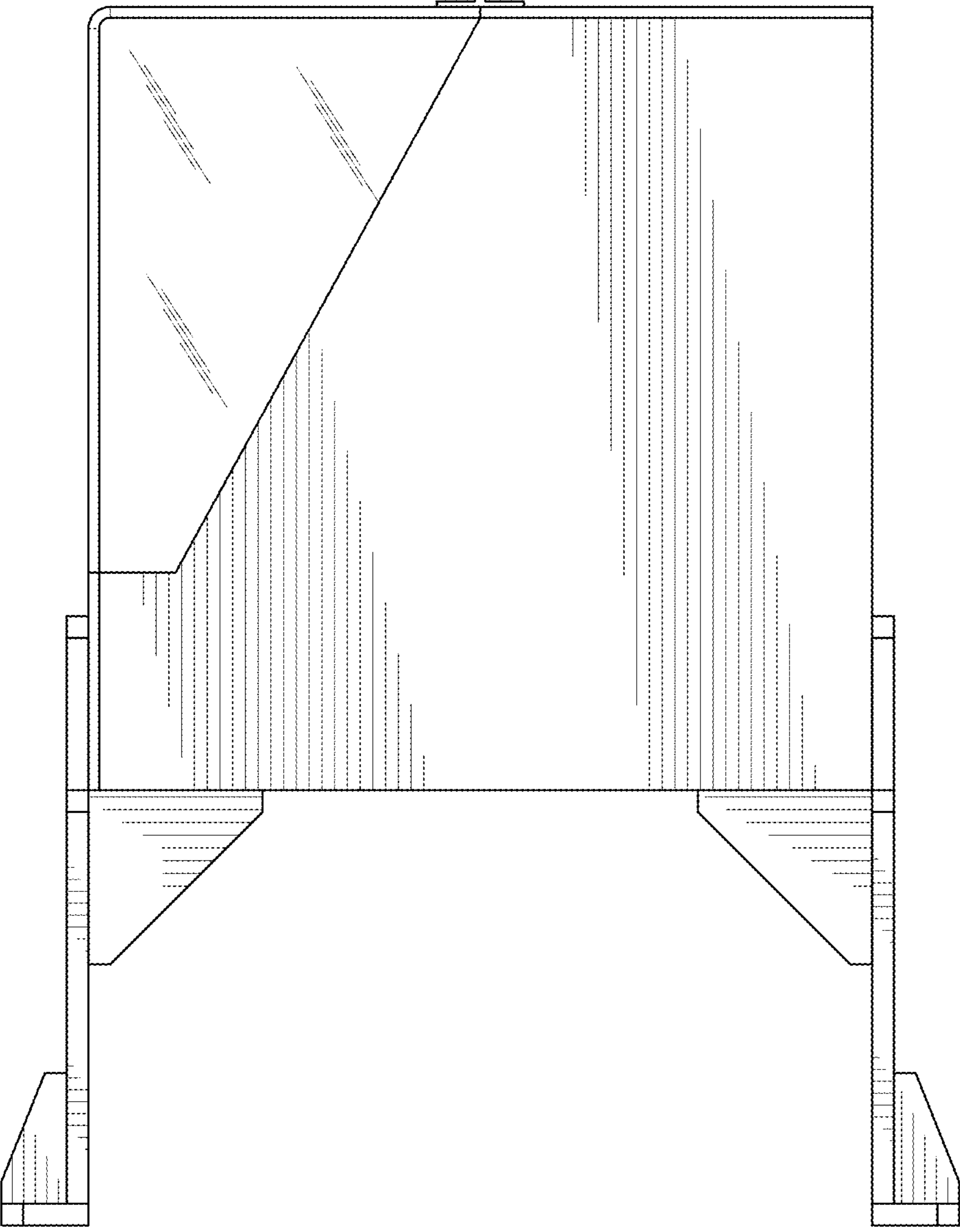


FIG.6

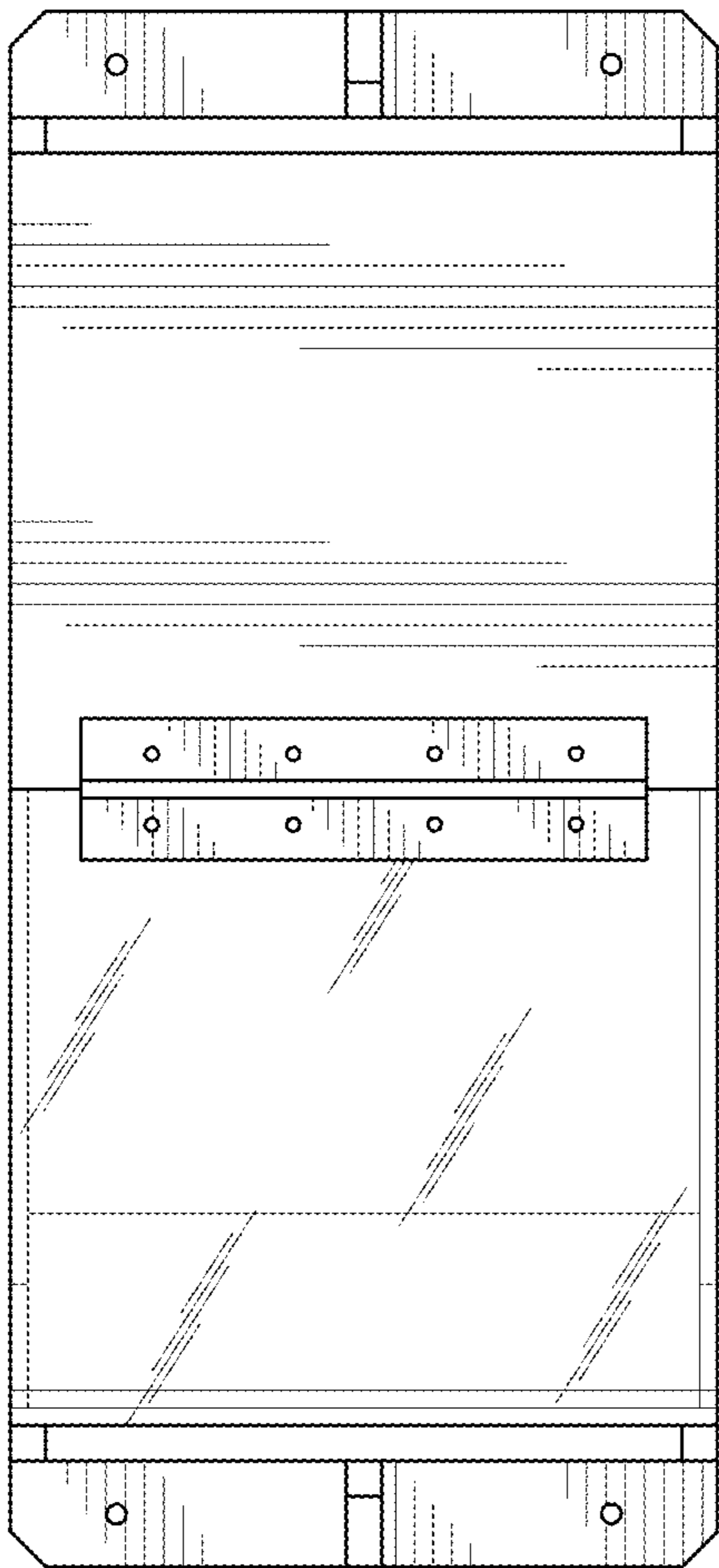


FIG. 7

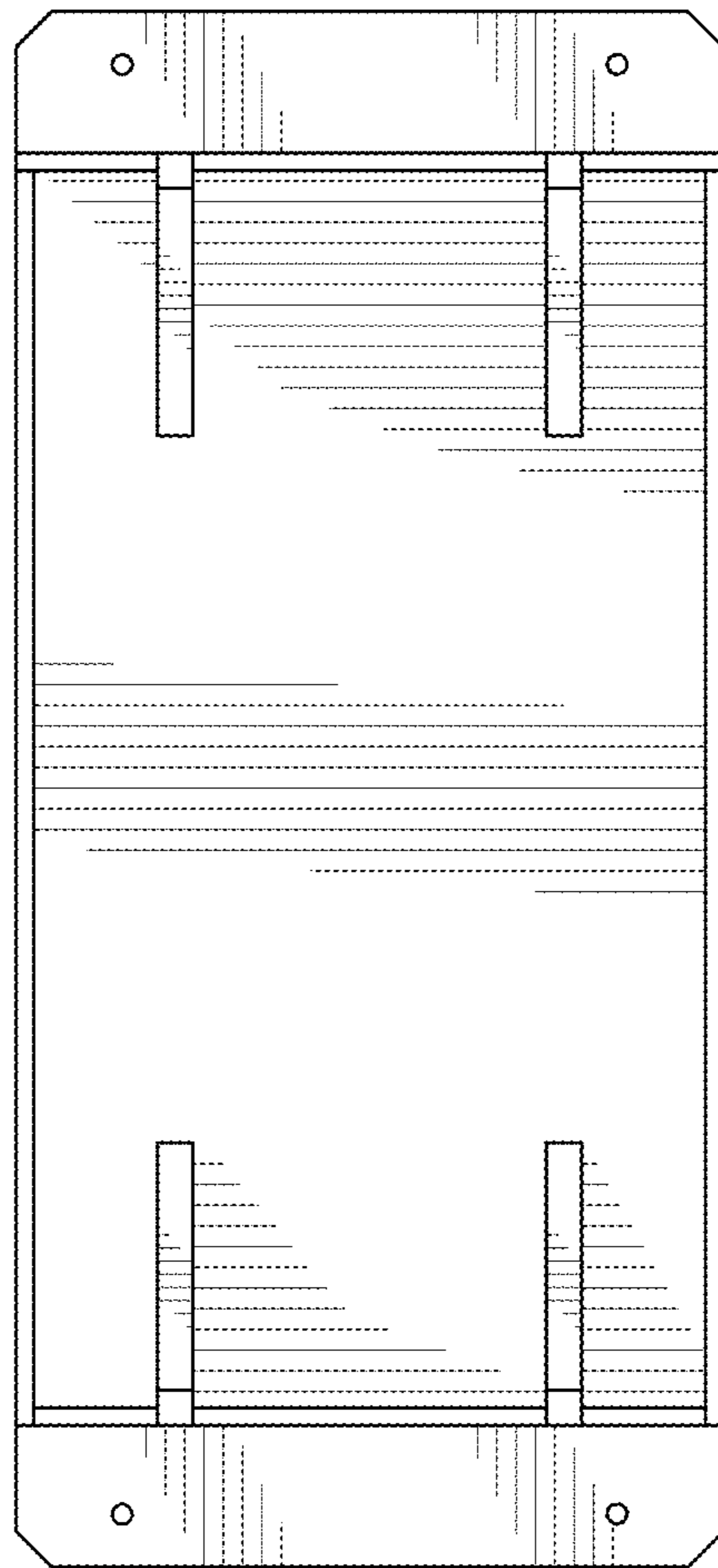


FIG. 8