



US00D935483S

(12) **United States Design Patent** (10) **Patent No.:** **US D935,483 S**
Harris et al. (45) **Date of Patent:** **** Nov. 9, 2021**

(54) **DISPLAY SCREEN WITH GRAPHICAL USER INTERFACE**

(71) Applicant: **Pearson Education, Inc.**, New York, NY (US)

(72) Inventors: **Nathan Harris**, London (GB); **Pedro Suspiro**, Harlow, NY (US); **Nina Reeves**, Bishops Stortford (GB)

(73) Assignee: **PEARSON EDUCATION, INC.**, New York, NY (US)

(**) Term: **15 Years**

(21) Appl. No.: **29/656,135**

(22) Filed: **Jul. 10, 2018**

Related U.S. Application Data

(62) Division of application No. 29/551,740, filed on Jan. 15, 2016, now Pat. No. Des. 824,933.

(51) **LOC (13) Cl.** **14-04**

(52) **U.S. Cl.**
USPC **D14/487**

(58) **Field of Classification Search**
USPC D14/485-488
CPC H04N 1/00413; H04N 1/00424; G06F 3/0482; G06F 3/04817
See application file for complete search history.

(56) **References Cited**

U.S. PATENT DOCUMENTS

D438,873 S * 3/2001 Wang D14/486
D795,921 S * 8/2017 Bhatti D14/488

D801,376 S * 10/2017 Paulik D14/487
D855,645 S * 8/2019 Montgomery D14/487
D864,990 S * 10/2019 Lee D14/487
D910,649 S * 2/2021 Paul D14/485
2007/0101288 A1 5/2007 Forstall et al.
2012/0179994 A1 7/2012 Knowlton et al.
2020/0184278 A1* 6/2020 Zadeh G06F 16/953

FOREIGN PATENT DOCUMENTS

EP 1124176 8/2001

* cited by examiner

Primary Examiner — Richelle G Shelton

(74) *Attorney, Agent, or Firm* — Quarles & Brady LLP

(57) **CLAIM**

The ornamental design for a display screen with graphical user interface, as shown and described.

DESCRIPTION

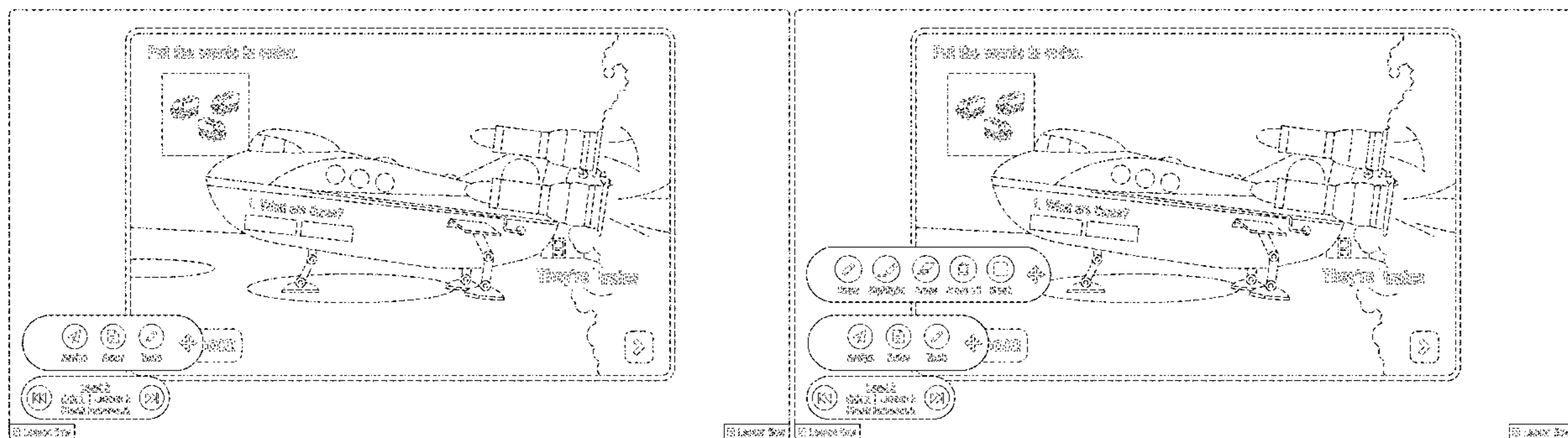
FIG. 1 is a view of a display screen with graphical user interface according to our new design.

FIG. 2 is a view of a display screen with graphical user interface according to a second embodiment of our new design; and,

FIG. 3 is a view of a display screen with graphical user interface according to a third embodiment of our new design.

The display screen and the remainder of the graphical user interface illustrated in broken lines form no part of the claimed design.

1 Claim, 3 Drawing Sheets



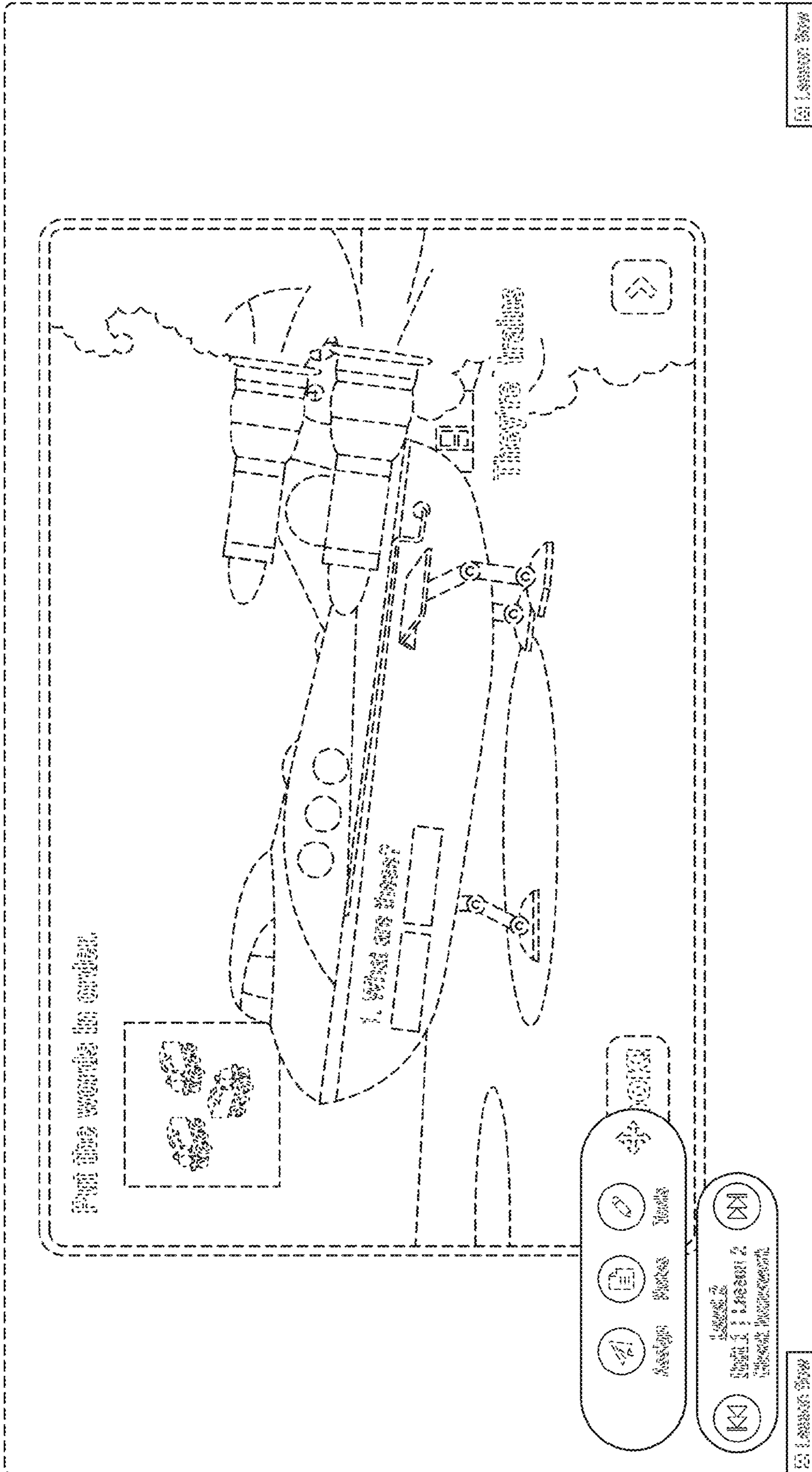


FIG. 1

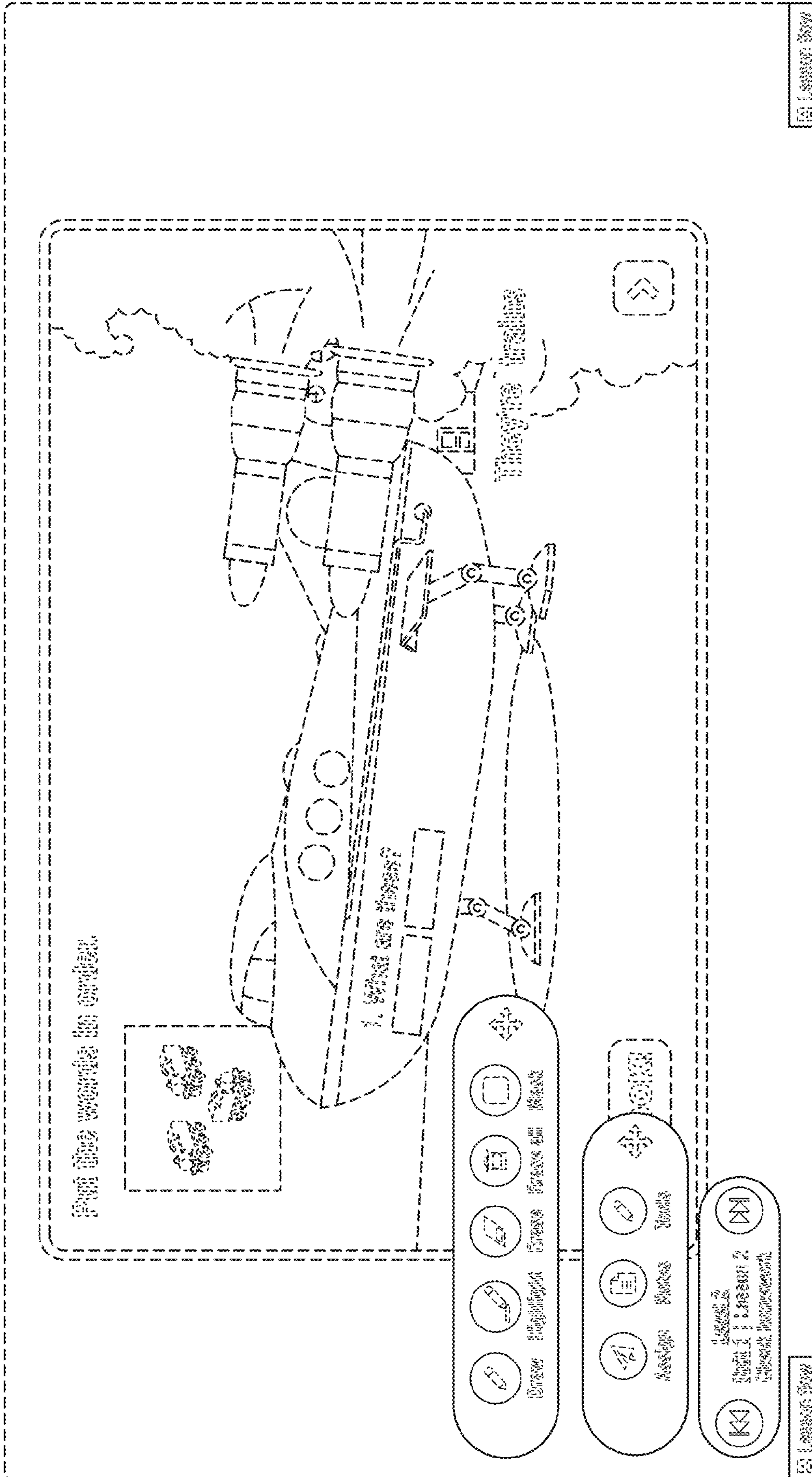


FIG. 2

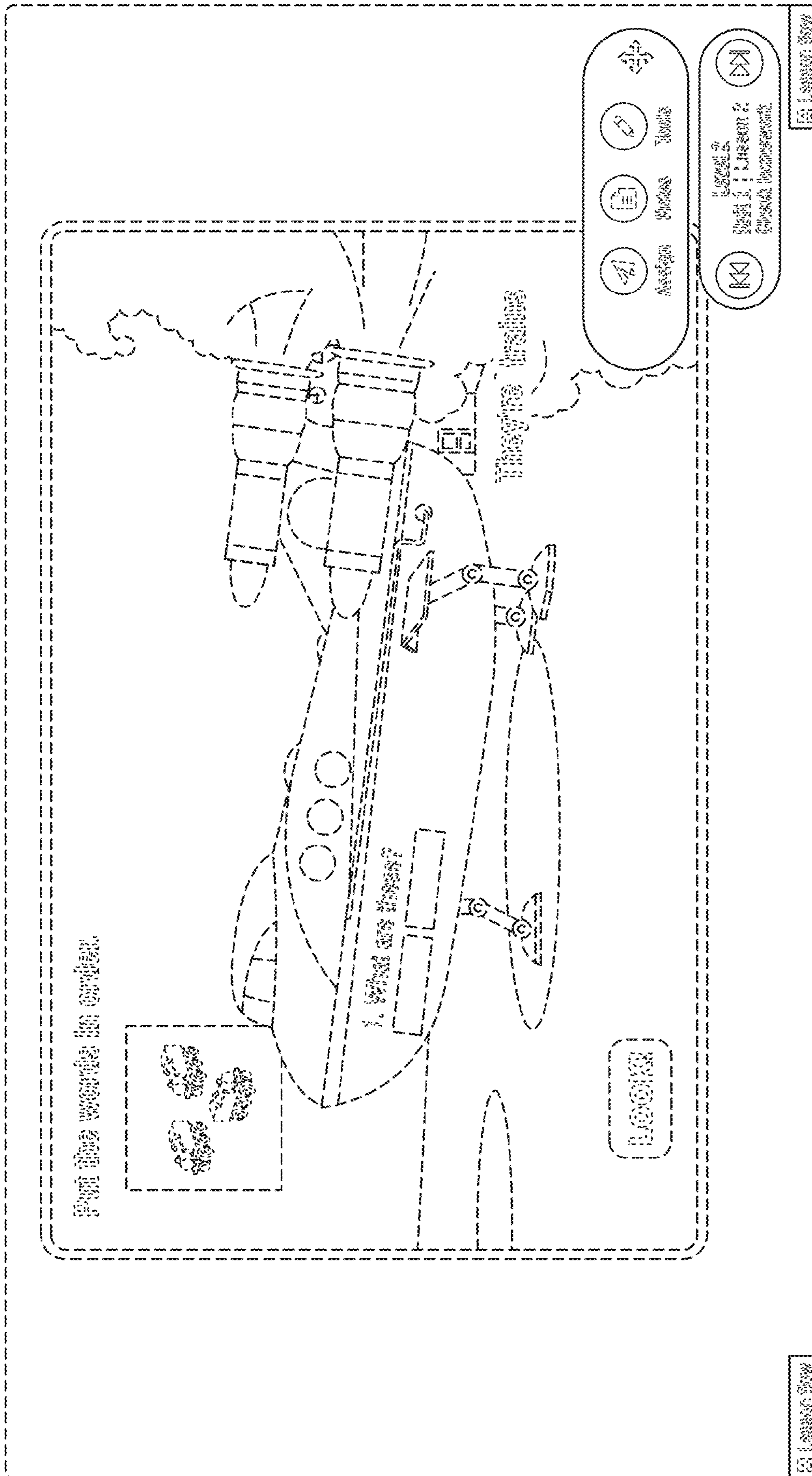


FIG. 3