



US00D935476S

(12) **United States Design Patent** (10) **Patent No.:** **US D935,476 S**
Katou et al. (45) **Date of Patent:** **** Nov. 9, 2021**

(54) **DISPLAY SCREEN WITH GRAPHICAL USER INTERFACE**

(71) Applicant: **CKD CORPORATION**, Komaki (JP)

(72) Inventors: **Takaharu Katou**, Komaki (JP);
Kazuyoshi Kikuchi, Komaki (JP);
Atsushi Fukuta, Komaki (JP); **Hiroko Isayama**, Komaki (JP)

(73) Assignee: **CKD CORPORATION**, Komaki (JP)

(**) Term: **15 Years**

(21) Appl. No.: **29/725,227**

(22) Filed: **Feb. 24, 2020**

(30) **Foreign Application Priority Data**

Aug. 28, 2019 (JP) 2019-019115

(51) **LOC (13) Cl.** **14-04**

(52) **U.S. Cl.**
USPC **D14/485**

(58) **Field of Classification Search**
USPC D14/485-495
CPC G06F 3/048-04897
See application file for complete search history.

(56) **References Cited**

U.S. PATENT DOCUMENTS

D618,697 S * 6/2010 Jones D14/486
D808,986 S * 1/2018 Dudey D14/485
D821,410 S * 6/2018 Vinna D14/485
D843,402 S * 3/2019 Casse D14/486

D874,492 S * 2/2020 Henderson D14/486
D881,901 S * 4/2020 Nanjappan D14/485
D900,865 S * 11/2020 Knapp D14/488
D924,254 S * 7/2021 Sahu D14/485
2011/0264582 A1* 10/2011 Kim G06Q 30/04
705/40
2014/0082563 A1* 3/2014 Kim H04M 1/724
715/835
2019/0079642 A1* 3/2019 Burch G06F 3/0482
2019/0339841 A1* 11/2019 Nanjappan H04W 4/029
2020/0143301 A1* 5/2020 Bowers G06F 40/186

OTHER PUBLICATIONS

Solder Paste Inspection Machine VP6000-V VP5200-V Series published by CKD corporation in Sep. 2015 in Japan and U.S.A.; 12 Pages.

* cited by examiner

Primary Examiner — Andrew T Nemeth

(74) *Attorney, Agent, or Firm* — Cantor Colburn LLP

(57) **CLAIM**

The ornamental design for a display screen with graphical user interface, as shown and described.

DESCRIPTION

FIG. 1 is a front view of a display screen with graphical user interface showing our new design; and, FIG. 2 is an enlarged view of a portion of FIG. 1 defined by line 2-2 thereof.

The broken lines illustrate portions of the display screen with graphical user interface that form no part of the claimed design. The dash-dotted lines denote the boundary of the claim and form no part of the claimed design.

1 Claim, 2 Drawing Sheets

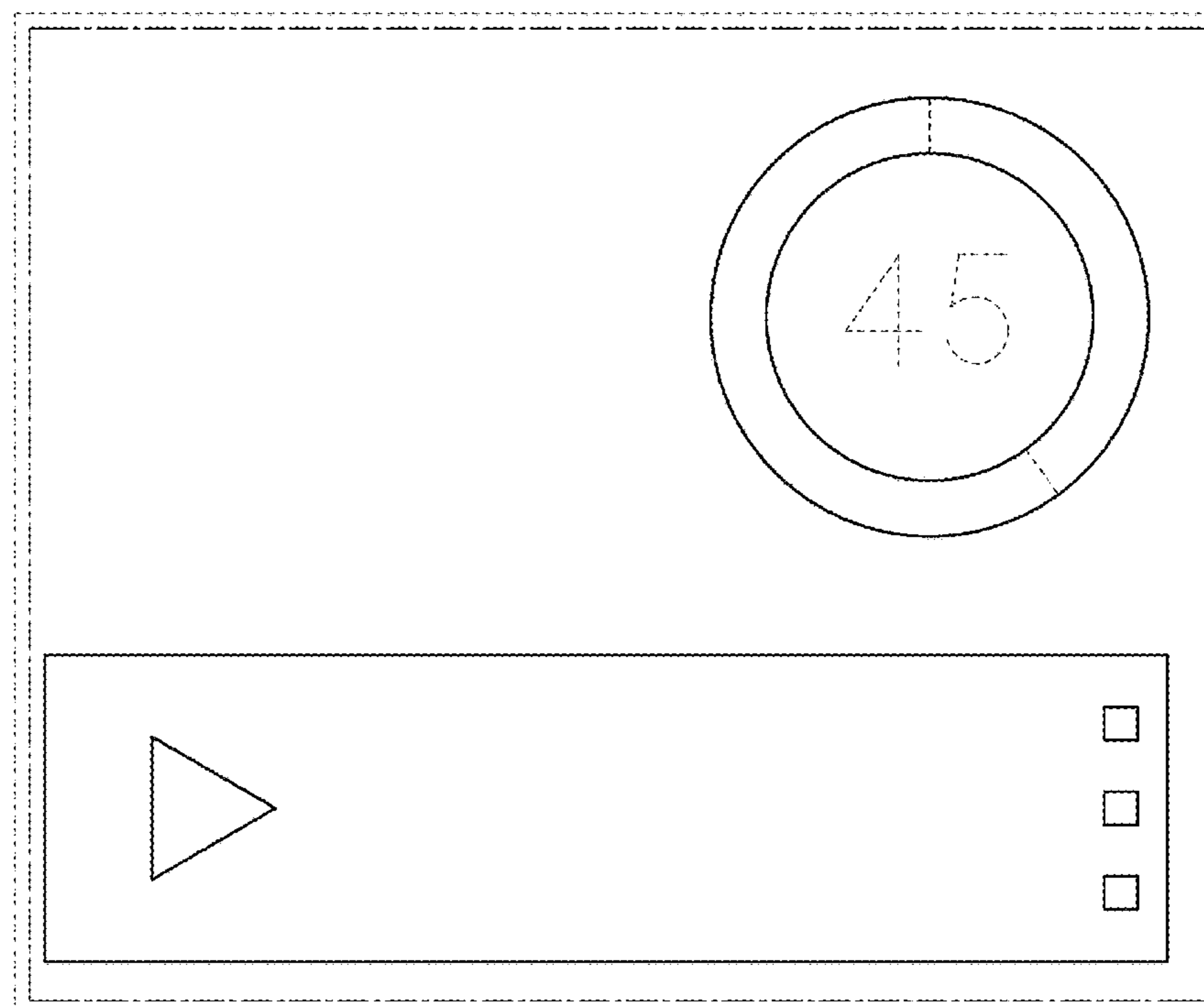


FIG.1

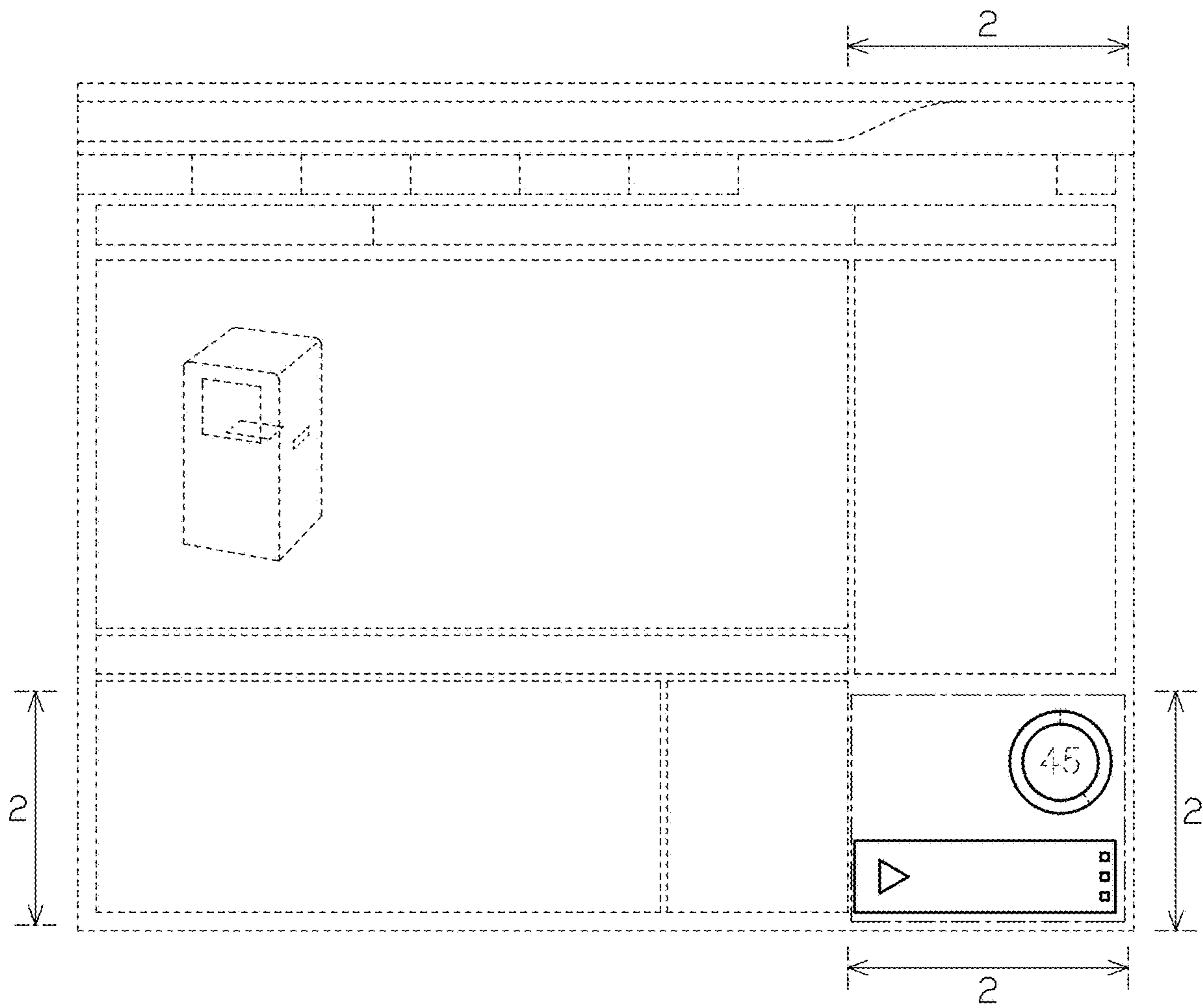


FIG.2

