



US00D935470S

(12) **United States Design Patent** (10) **Patent No.:** **US D935,470 S**
Wengreen et al. (45) **Date of Patent:** **** Nov. 9, 2021**

(54) **MOUNT FOR ELECTRONIC DEVICES**

(71) Applicant: **Innovelis, Inc.**, Sammamish, WA (US)

(72) Inventors: **Eric John Wengreen**, Sammamish, WA (US); **Ian Jacob van de Kamp**, Seattle, WA (US)

(73) Assignee: **Innovelis, Inc.**, Sammamish, WA (US)

(**) Term: **15 Years**

(21) Appl. No.: **29/760,790**

(22) Filed: **Dec. 3, 2020**

Related U.S. Application Data

(63) Continuation of application No. 29/760,789, filed on Dec. 3, 2020.

(51) **LOC (13) Cl.** **08-07**

(52) **U.S. Cl.**
USPC **D14/447**

(58) **Field of Classification Search**
USPC D14/447, 432, 434, 439, 440, 451, 452, D14/457, 239, 253; D8/363, 373, 380; D6/406.3, 406.4, 406.5, 406.6; D12/415
CPC A47B 21/04; A47B 2097/006; A47B 2097/005; A47B 2023/049; A45C 2011/002; A45C 2011/003; F16M 2200/00; F16M 13/00

See application file for complete search history.

(56) **References Cited**

U.S. PATENT DOCUMENTS

D590,404 S * 4/2009 Kim D14/447
D662,502 S * 6/2012 Wesolek D14/434

D703,675 S * 4/2014 Jensen D14/447
D765,064 S * 8/2016 Wengreen D14/238.1
D798,305 S * 9/2017 Wengreen D14/447
D798,873 S * 10/2017 Ng D14/447
D812,064 S * 3/2018 Wengreen D14/434
D813,241 S * 3/2018 Wengreen D14/434
D832,274 S * 10/2018 Wengreen D14/447
D834,029 S * 11/2018 Wengreen D14/447
D847,800 S * 5/2019 Wengreen D14/238.1
D847,801 S * 5/2019 Wengreen D14/238.1
D856,320 S * 8/2019 Li D14/253

* cited by examiner

Primary Examiner — Angela J Lee

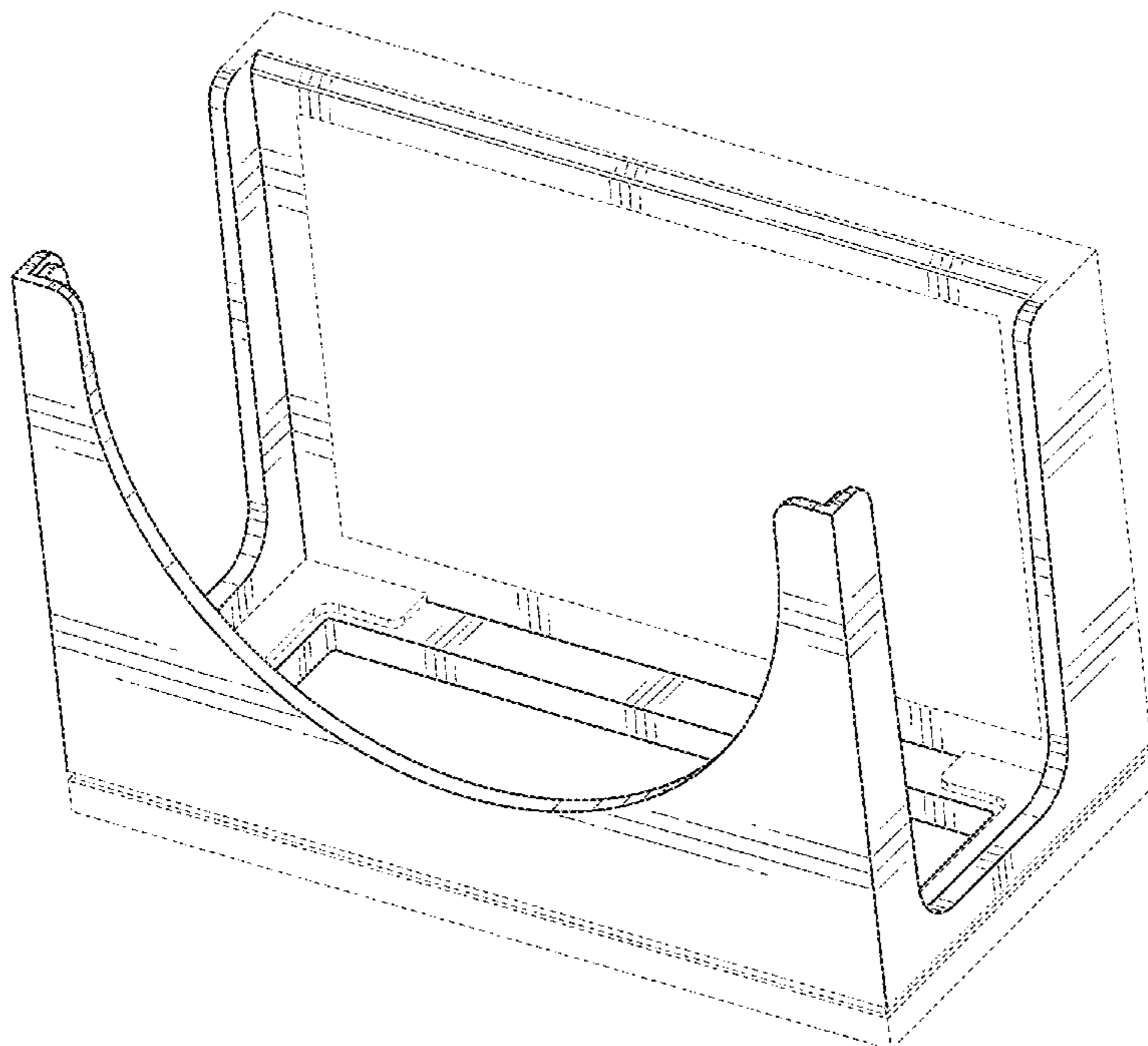
(57) **CLAIM**

The ornamental design for a mount for electronic devices, as shown and described.

DESCRIPTION

FIG. 1 is a front, first side, and top perspective view of a mount for electronic devices embodying the new design; FIG. 2 is a back, second side, and bottom perspective view thereof; FIG. 3 is a front, bottom, and second side perspective view thereof; FIG. 4 is a front view thereof; FIG. 5 is a back view thereof; FIG. 6 is a top view thereof; FIG. 7 is a bottom view thereof; and, FIG. 8 is a first side view thereof, the second side view being a mirror image.
The uniform repeating broken lines depict portions of a mount for electronic devices in which the claimed design is embodied and form no part of the claimed design.

1 Claim, 8 Drawing Sheets



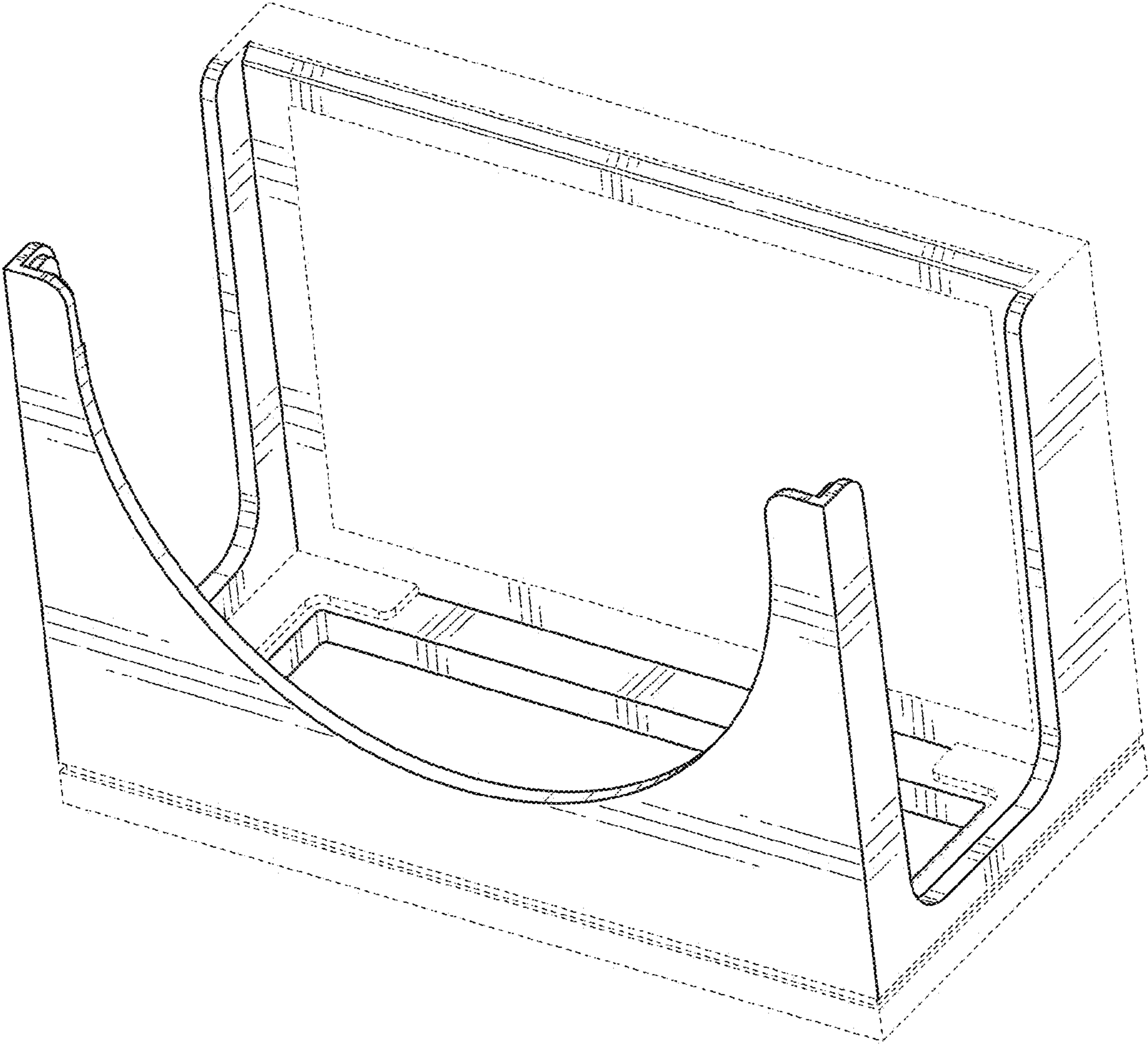


FIG. 1

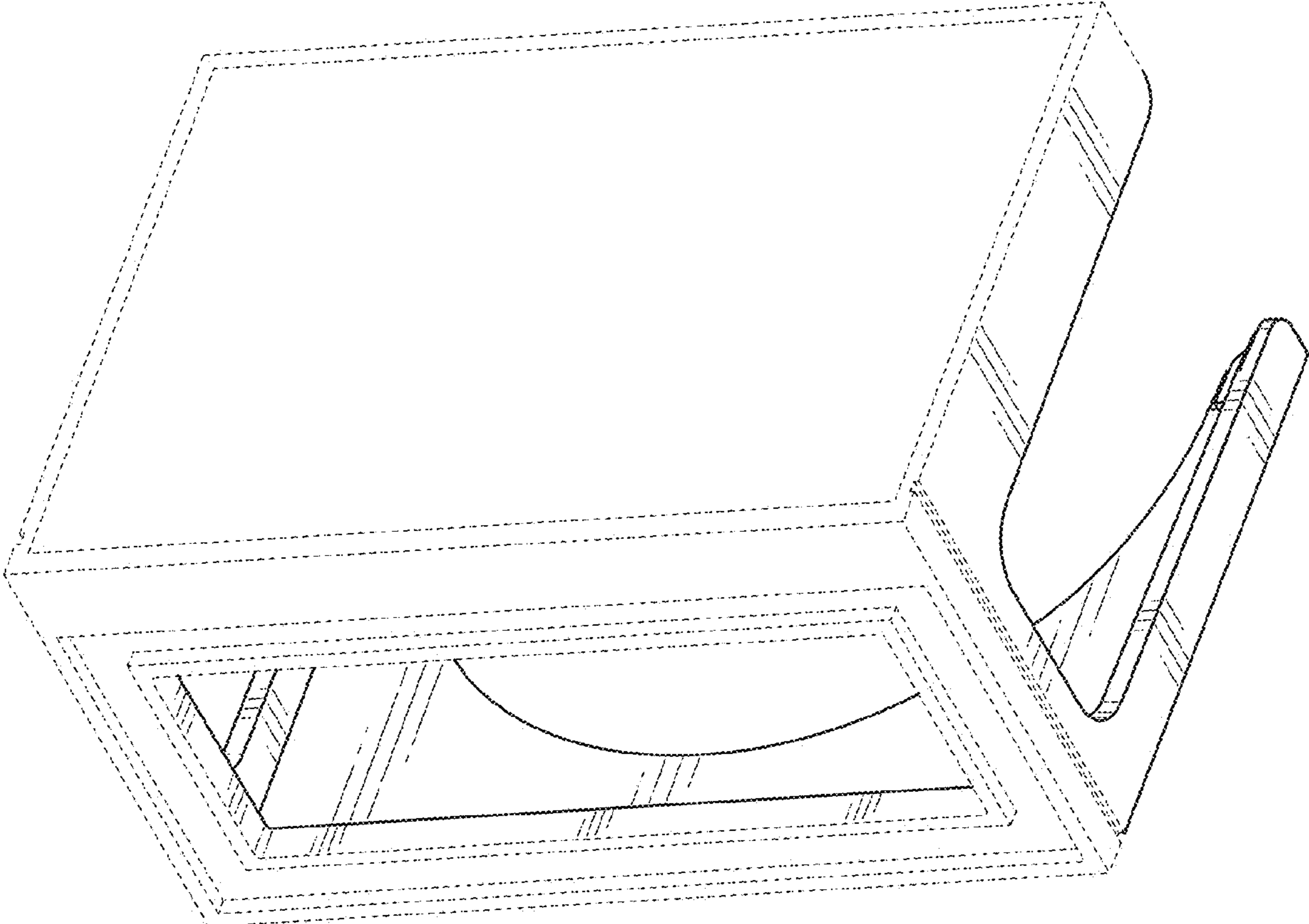


FIG. 2

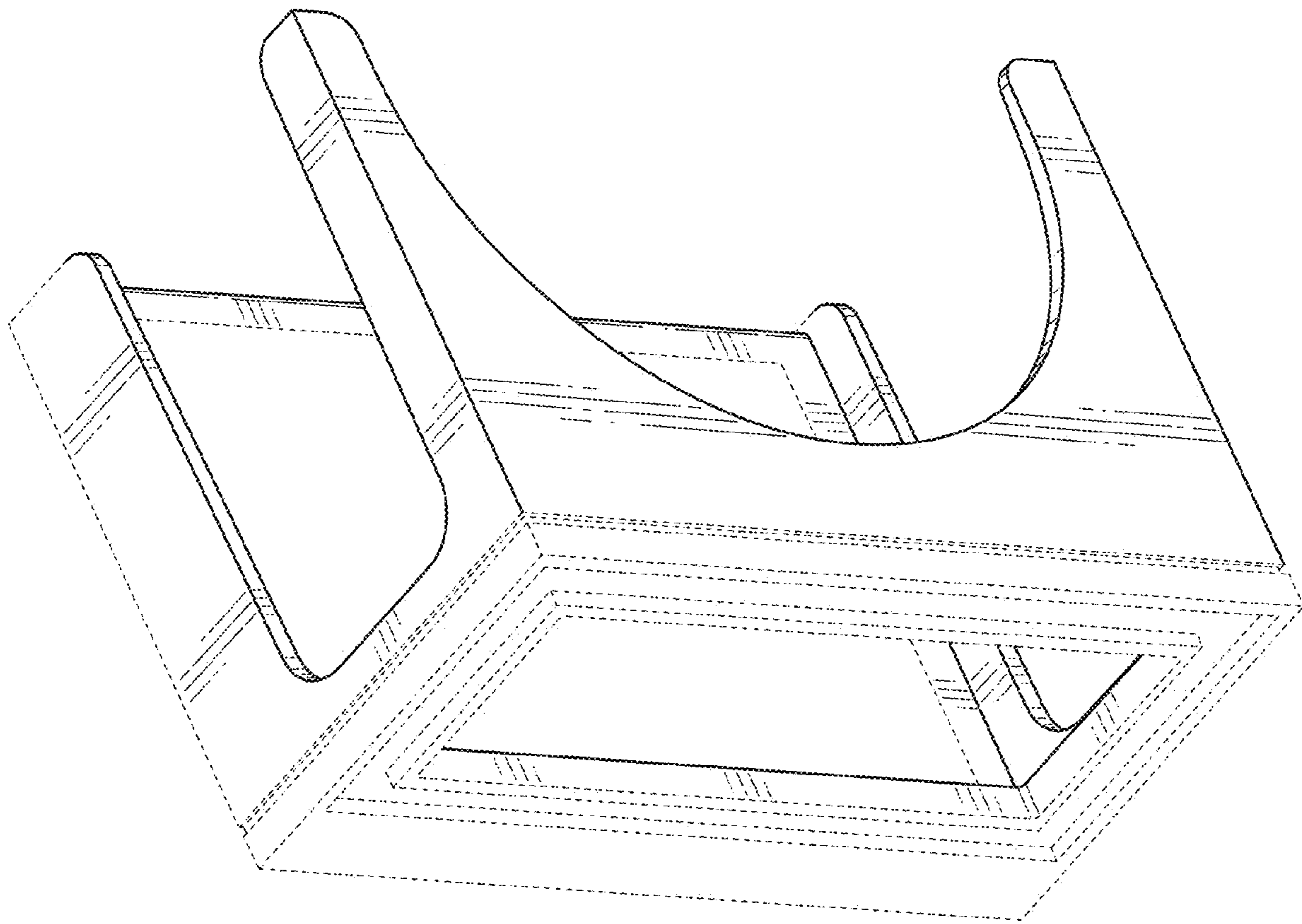


FIG. 3

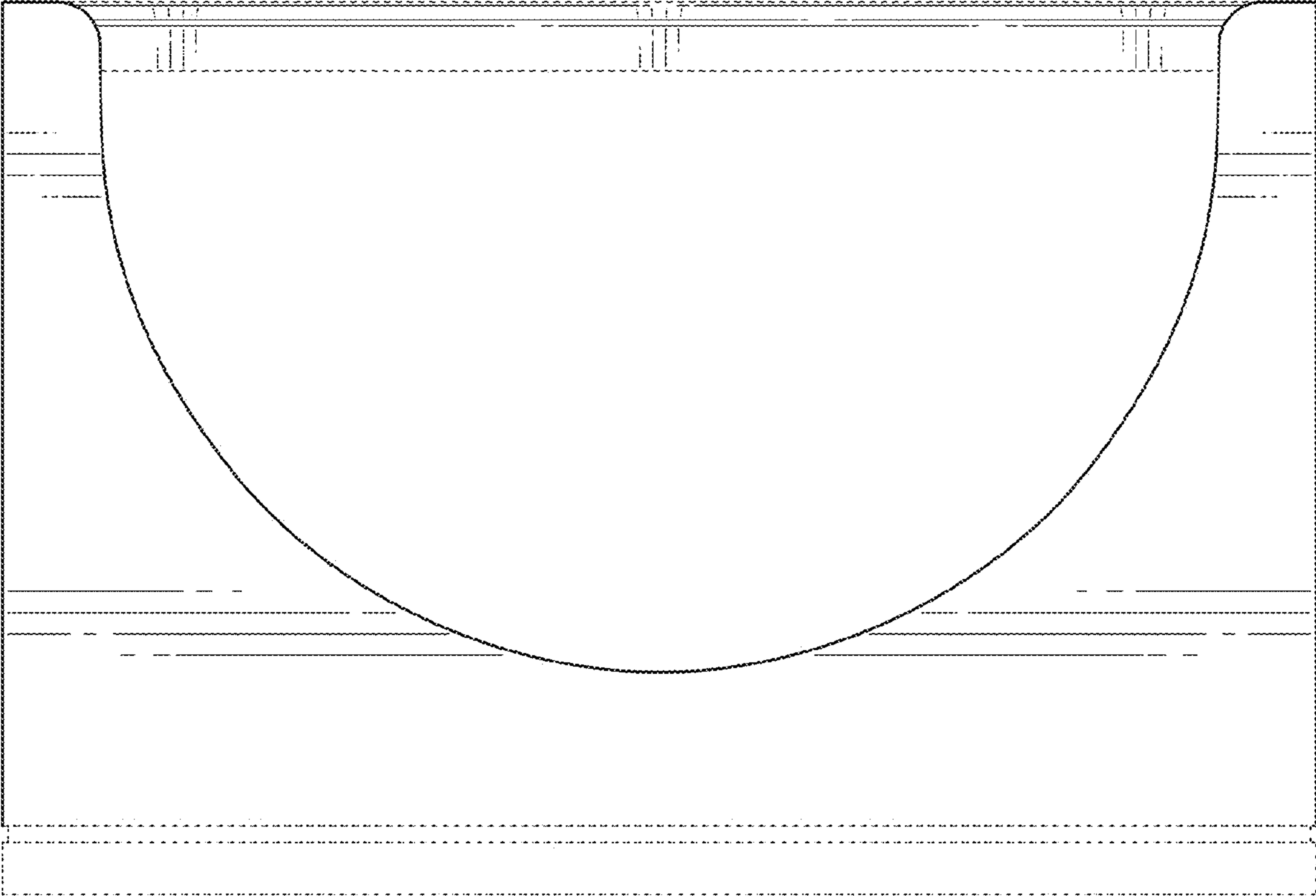


FIG. 4



FIG. 5

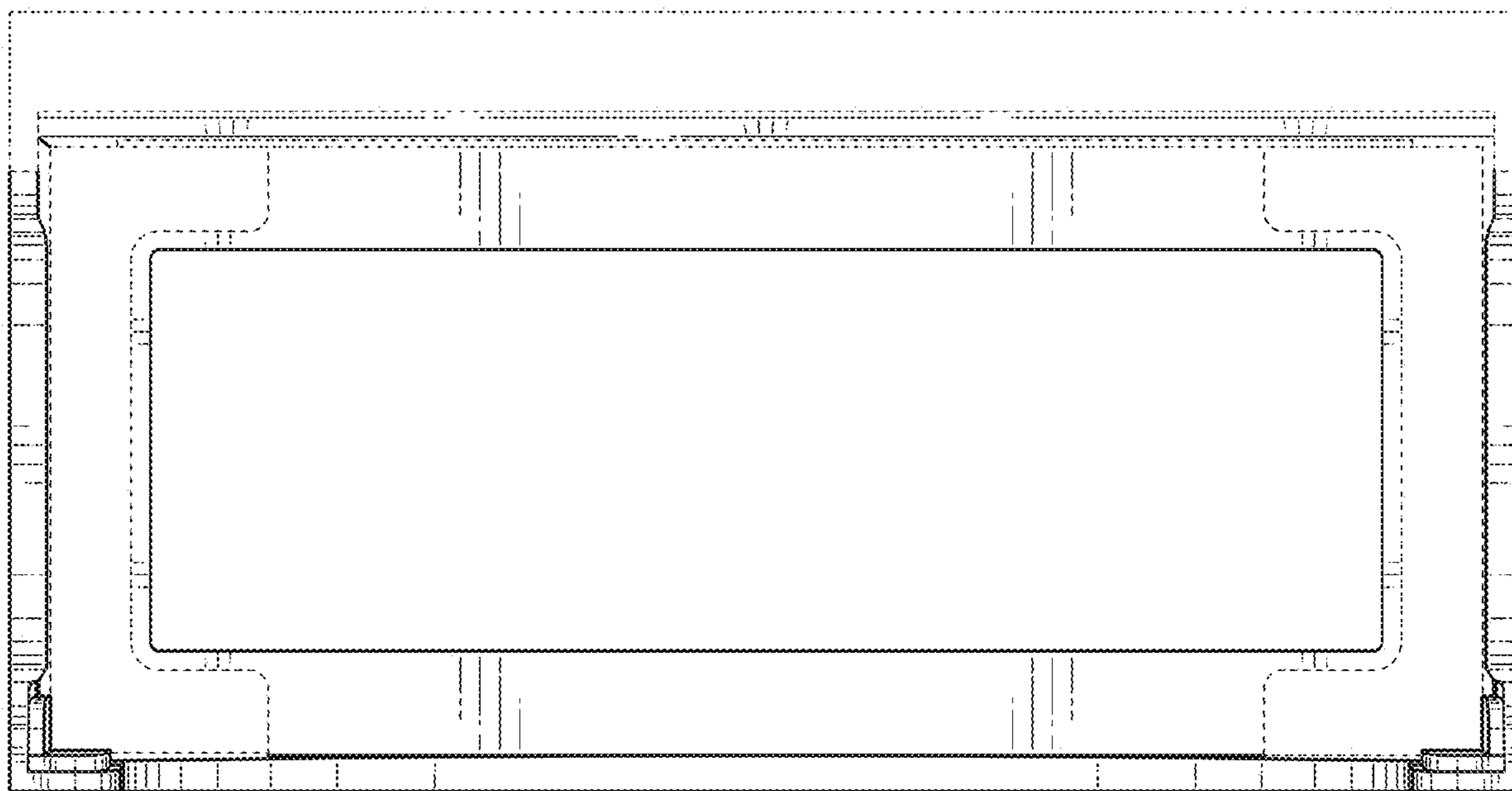


FIG. 6

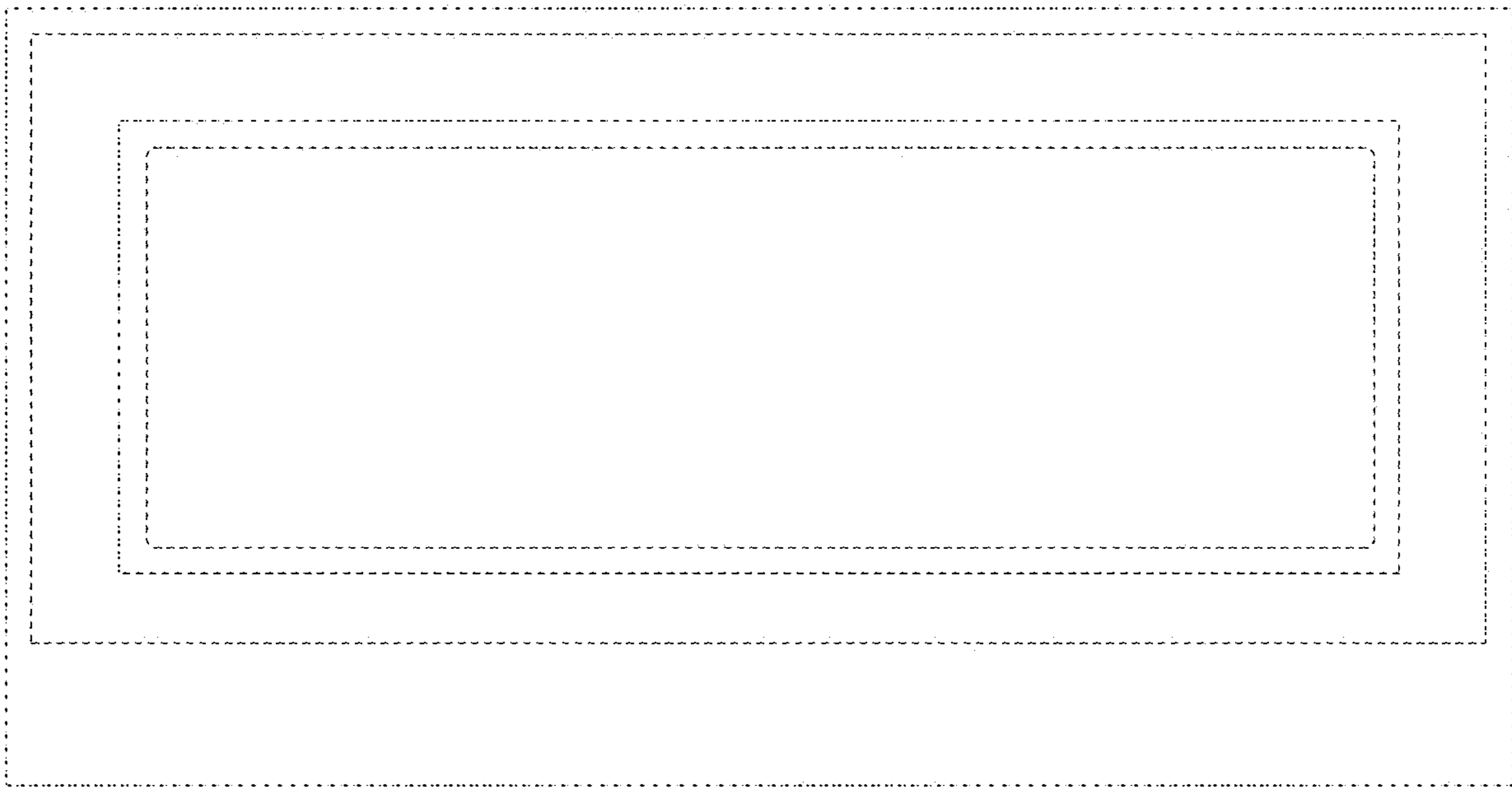


FIG. 7

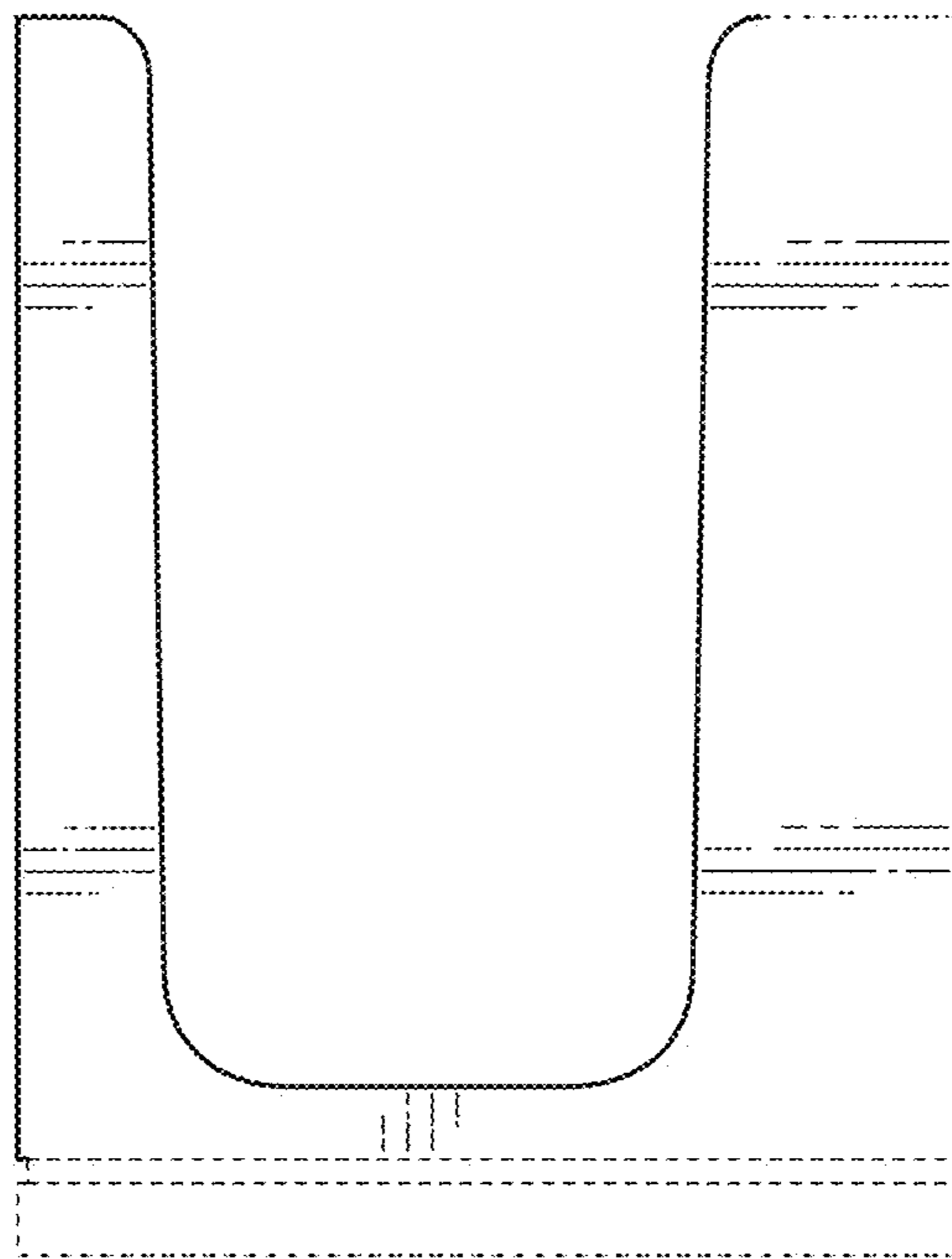


FIG. 8