



US00D935469S

(12) **United States Design Patent** (10) **Patent No.:** **US D935,469 S**
Burmester (45) **Date of Patent:** **** Nov. 9, 2021**

(54) **SUPPORT FOR COMPUTER TERMINALS AND COMPUTER KEYBOARDS**

D729,222 S 5/2015 Grziwok et al.
D772,739 S 11/2016 Browning et al.
D792,414 S 7/2017 Floersch et al.
D792,415 S 7/2017 Tsai
D797,748 S 9/2017 Robinson
D803,840 S 11/2017 Burmester
D806,084 S * 12/2017 Nelson D14/447

(71) Applicant: **Ergonomic Solutions International Limited, Surrey (GB)**

(72) Inventor: **Benny Burmester, Norresundby (DK)**

(73) Assignee: **ERGONOMIC SOLUTIONS INTERNATIONAL LIMITED, Surrey (GB)**

(**) Term: **15 Years**

(21) Appl. No.: **29/692,715**

(22) Filed: **May 28, 2019**

Related U.S. Application Data

(60) Continuation-in-part of application No. 29/588,801, filed on Dec. 22, 2016, now abandoned, which is a division of application No. 29/543,067, filed on Oct. 20, 2015, now Pat. No. Des. 846,554.

(51) **LOC (13) Cl.** **14-02**

(52) **U.S. Cl.**
USPC **D14/447**

(58) **Field of Classification Search**
USPC D14/447-452, 336, 337, 341, 371-377, D14/126, 127, 128, 129
CPC F16M 11/105; F16M 11/10; F16M 11/048; F16M 11/12; F16M 13/022
See application file for complete search history.

(56) **References Cited**

U.S. PATENT DOCUMENTS

D426,200 S * 6/2000 Aeschbacher D14/126
D545,825 S 7/2007 Richter
D671,545 S 11/2012 Guran
D678,297 S 3/2013 Willkomm
D696,674 S 12/2013 Vogel

FOREIGN PATENT DOCUMENTS

DE 19525391 A1 2/1996

OTHER PUBLICATIONS

Amazon. <URL: https://www.amazon.com/Practical-Laptop-Notebook-Cooling-Skidproof/dp/B0747Q5X25/ref=sr_1_7?ie=UTF8&qid=1510241659&sr=8-7&keywords=computer+keyboard+stand+tilt+small> Jul. 25, 2017. Stand for Notebook/iPad/Laptop.

Primary Examiner — Lauren D McVey

(74) *Attorney, Agent, or Firm* — Berg Hill Greenleaf Ruscitti LLP

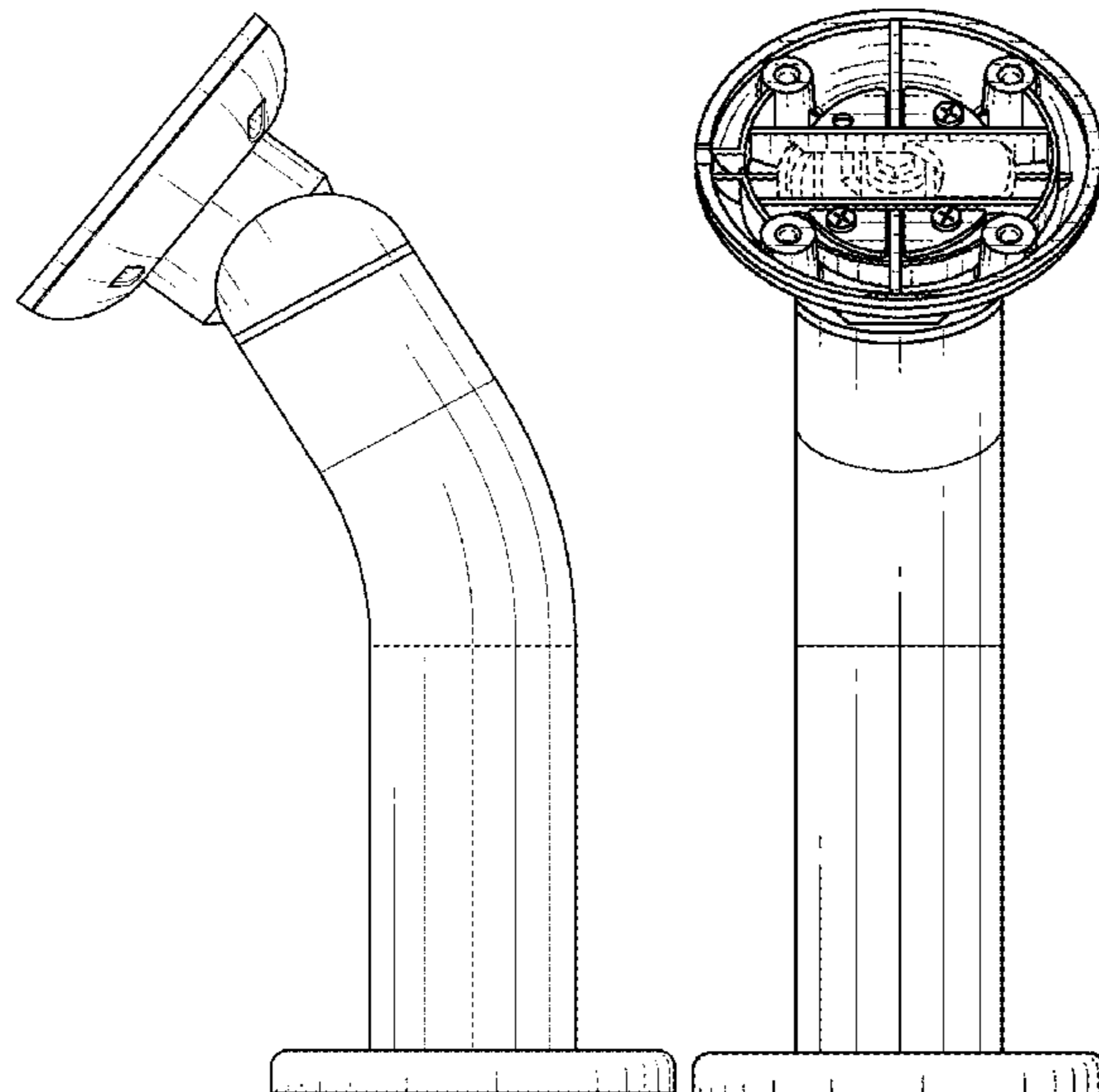
(57) **CLAIM**

The ornamental design for a support for computer terminals and computer keyboards, as shown and described.

DESCRIPTION

FIG. 1 is a left side elevation view of a support for computer terminals and computer keyboards showing my new design. FIG. 2 is a rear elevation view thereof; FIG. 3 is a right side elevation view thereof; FIG. 4 is a front elevation view thereof; FIG. 5 is a top plan view thereof; and, FIG. 6 is a top left perspective view thereof. The broken lines immediately adjacent to the shaded areas depict the bounds of the claimed design, while all other broken lines are directed to environment. The broken lines form no part of the claimed design.

1 Claim, 4 Drawing Sheets



(56)

References Cited

U.S. PATENT DOCUMENTS

D806,085 S	12/2017	Nelson et al.	
D806,714 S	1/2018	Nelson et al.	
D808,396 S *	1/2018	Nelson	D14/447
D824,917 S *	8/2018	Nelson	D14/447
D846,554 S *	4/2019	Burmester	D14/447
D865,751 S *	11/2019	Richter	D14/253
2014/0263884 A1	9/2014	Grziwok et al.	

* cited by examiner

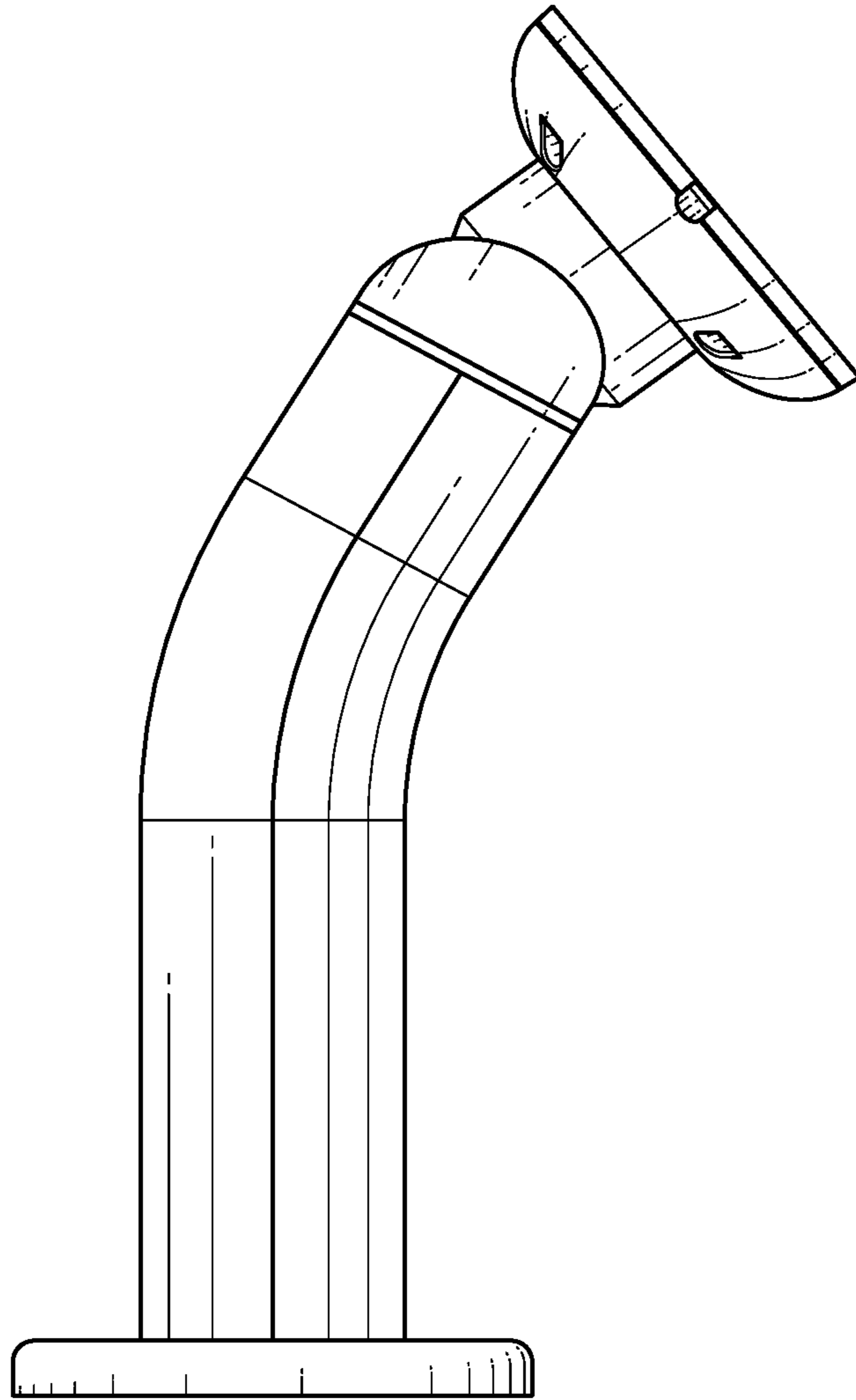


FIG. 1

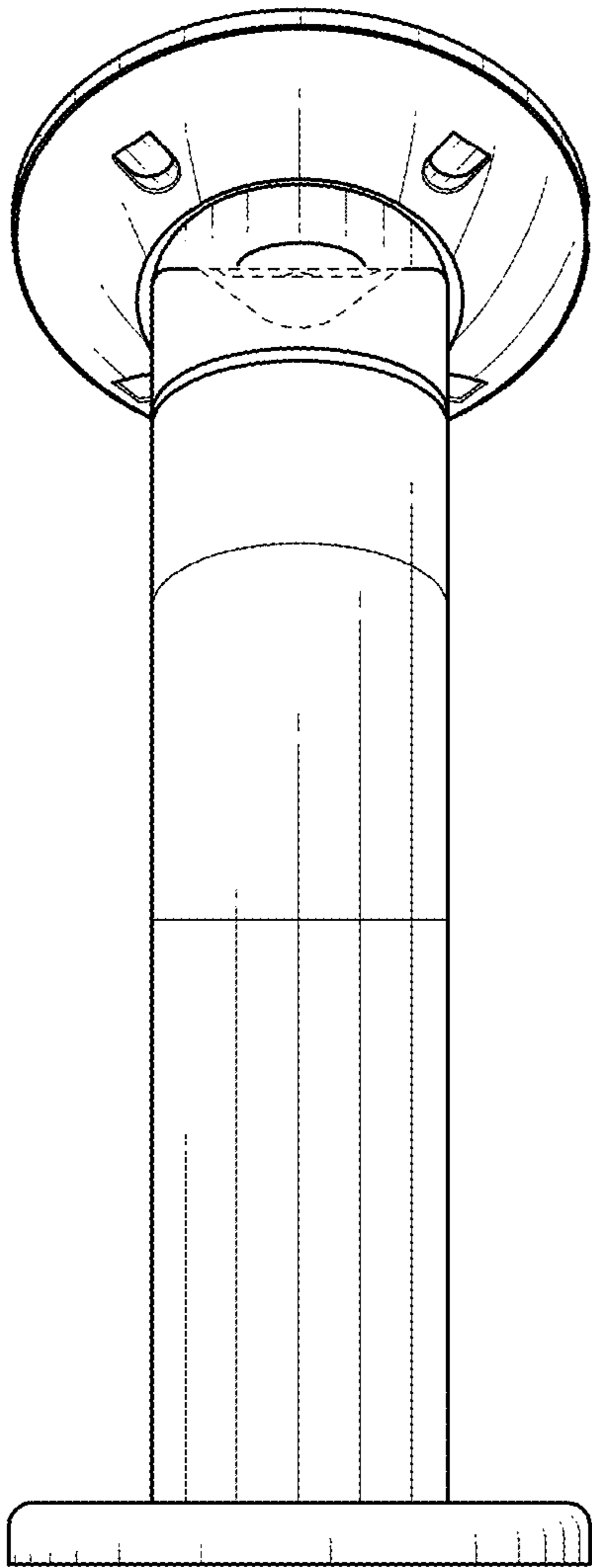


FIG. 2

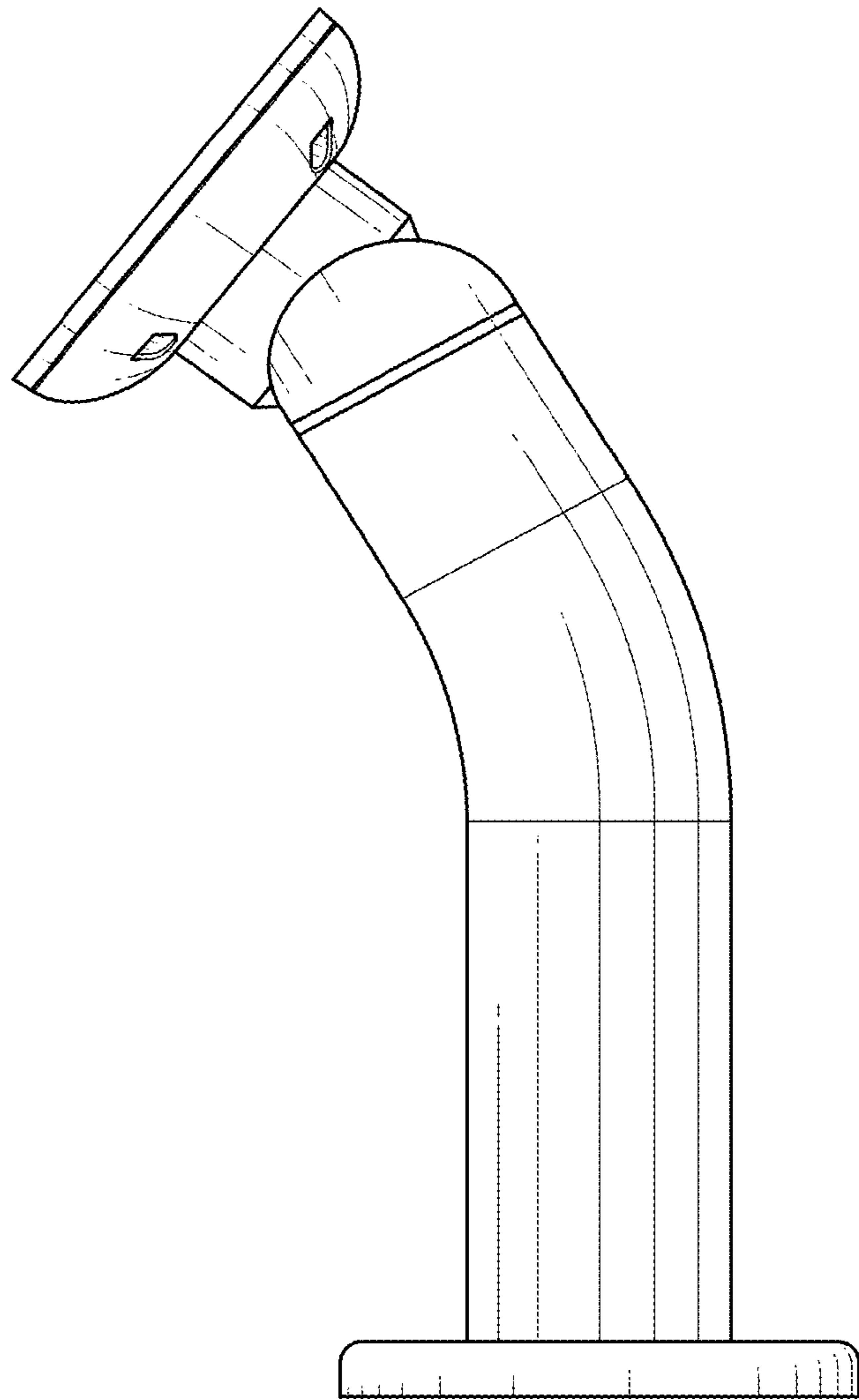


FIG. 3

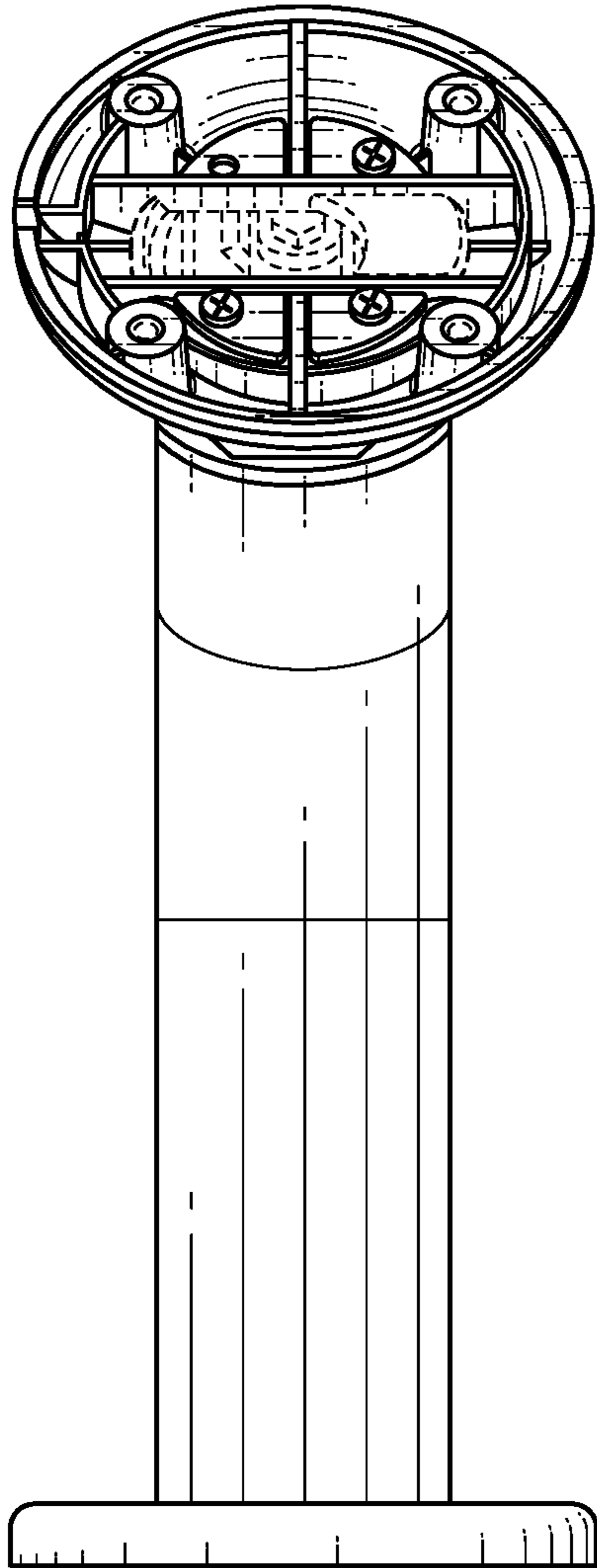


FIG. 4

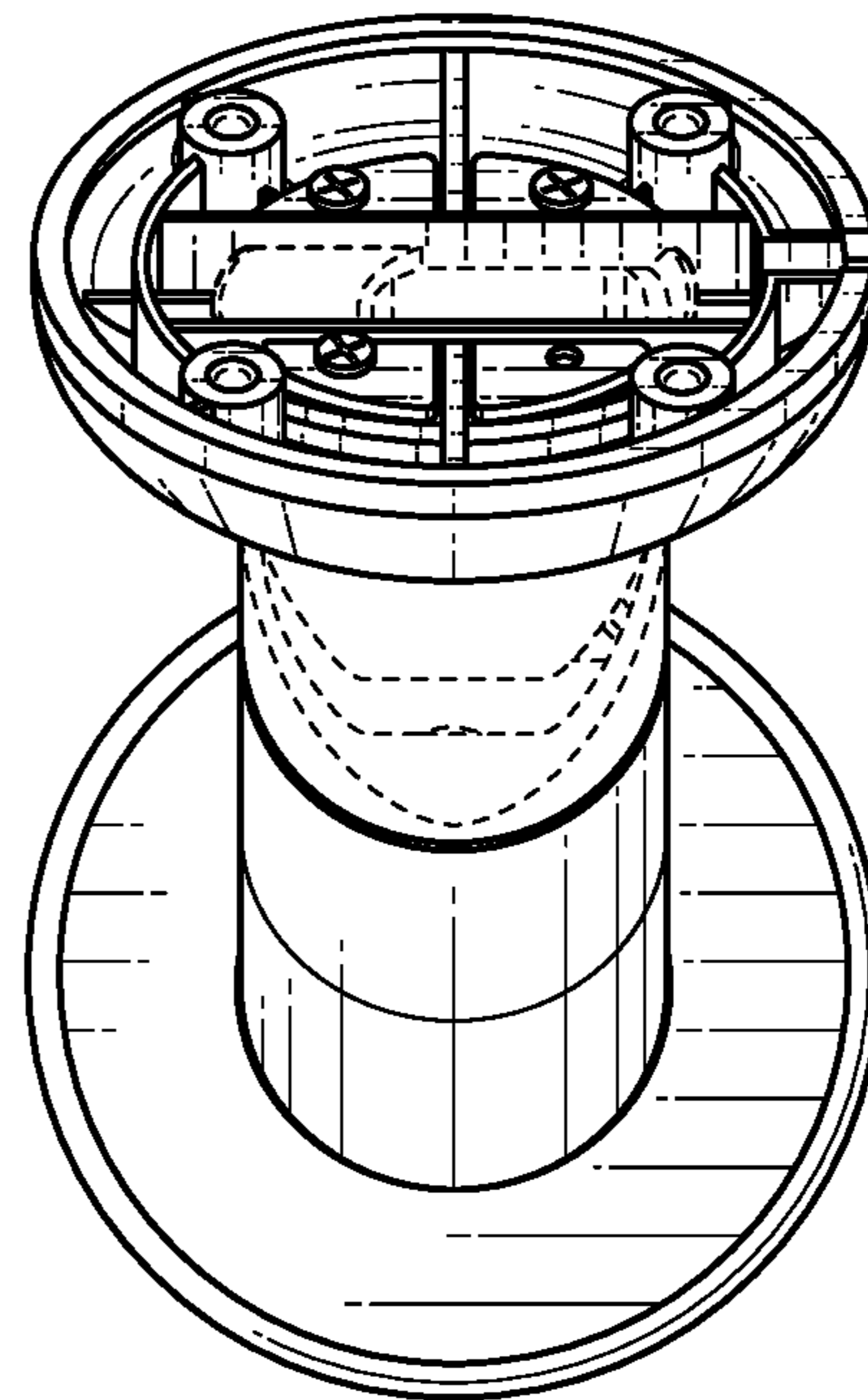


FIG. 5

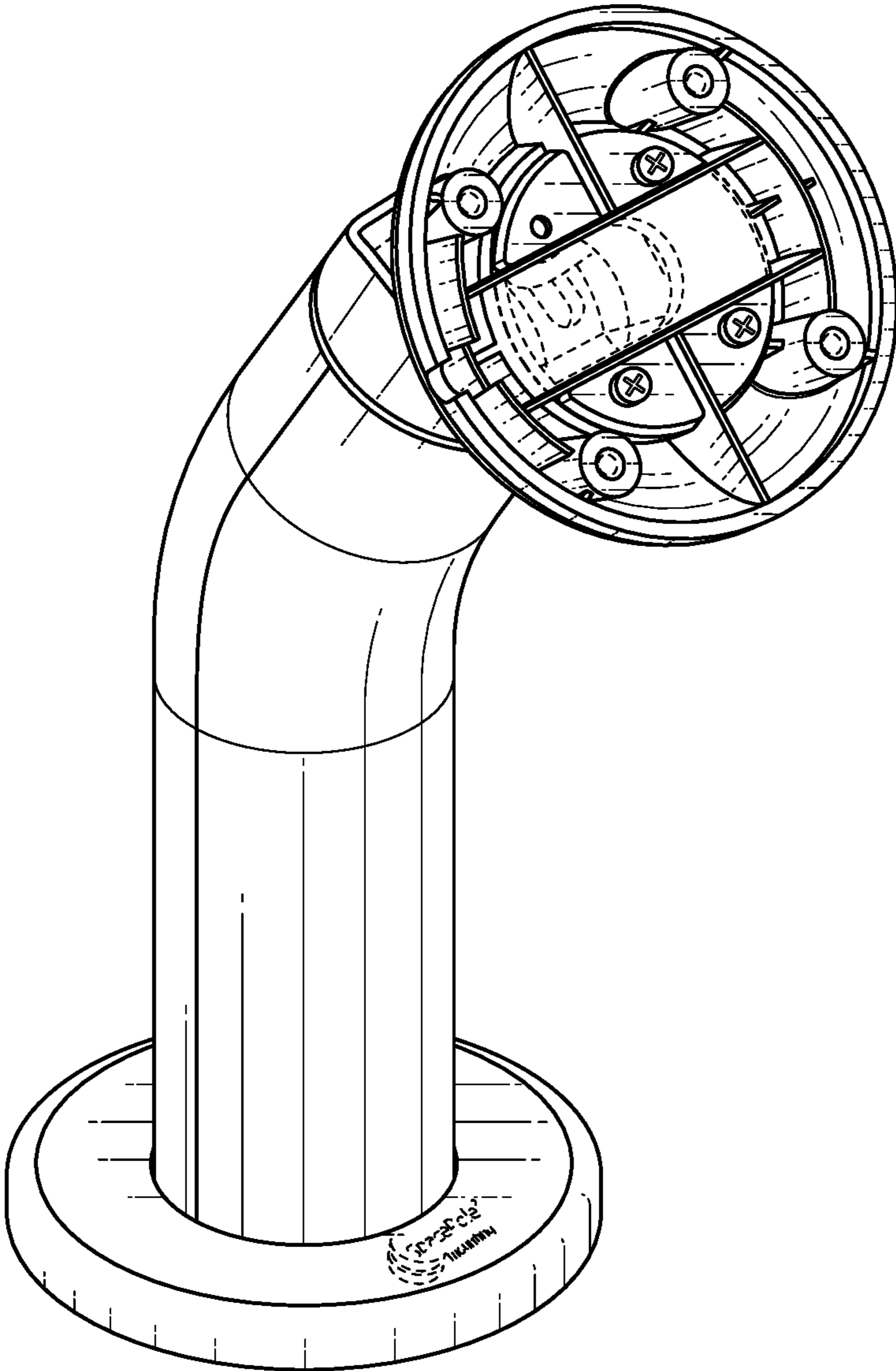


FIG. 6