



US00D935463S

(12) **United States Design Patent**  
**Wang**

(10) **Patent No.:** **US D935,463 S**

(45) **Date of Patent:** **\*\* Nov. 9, 2021**

(54) **DOCKING STATION FOR A TABLET**

(71) Applicant: **Qiang Wang**, Shenzhen (CN)

(72) Inventor: **Qiang Wang**, Shenzhen (CN)

(73) Assignee: **Shenzhen Bode Yue Technology Co., Ltd.**, Shenzhen (CN)

(\*\*) Term: **15 Years**

(21) Appl. No.: **29/697,588**

(22) Filed: **Jul. 10, 2019**

(51) **LOC (13) Cl.** ..... **14-02**

(52) **U.S. Cl.**  
USPC ..... **D14/434; D14/447**

(58) **Field of Classification Search**  
USPC ..... D14/356, 358, 432, 434, 447, 149, 168,  
D14/217, 224, 224.1, 238.1, 252, 253,  
D14/433; D13/107, 108, 146; D12/415  
CPC ..... G06F 1/16; G06F 1/1626; G06F 1/1632;  
G06F 1/1675; G06F 1/1688; F16M 11/10;  
F16M 11/24; F16M 11/04; F16M 11/041;  
F16M 13/00; H05K 5/0234; H04M 1/04  
See application file for complete search history.

(56) **References Cited**

U.S. PATENT DOCUMENTS

D373,600 S *	9/1996	Oimas	.....	D19/34
D585,897 S *	2/2009	Carnevali	.....	D14/434
D630,222 S *	1/2011	Lin	.....	D14/447
D669,481 S *	10/2012	Prescott	.....	D14/447
D670,703 S *	11/2012	Hasbrook	.....	D14/447
D675,212 S *	1/2013	Chen	.....	D14/447
8,469,325 B2 *	6/2013	Yu	.....	F16M 13/022 248/316.1
D685,804 S *	7/2013	Richter	.....	D14/447

D686,629 S *	7/2013	Trinh	.....	D14/447
D687,440 S *	8/2013	Shieh	.....	D14/447
D689,057 S *	9/2013	Waterman	.....	D14/447
D691,991 S *	10/2013	Mohan	.....	D14/250
D717,804 S *	11/2014	Budge	.....	D14/447
D748,099 S *	1/2016	Heid	.....	D14/447
9,274,556 B2 *	3/2016	Gallouzi	.....	F16M 11/105
D753,126 S *	4/2016	Alesi	.....	D14/447
D778,283 S *	2/2017	Tsai	.....	D14/447
D789,886 S *	6/2017	Socha-Leialoha	.....	D13/108
D799,462 S *	10/2017	Wright	.....	D14/250
D858,510 S *	9/2019	Saculles	.....	D14/253
D859,418 S *	9/2019	Baird	.....	D14/447
D865,366 S *	11/2019	Zhong	.....	D3/327
D889,819 S *	7/2020	Feng	.....	D3/201
2012/0080577 A1 *	4/2012	McIntyre	.....	F16M 11/041 248/346.04
2013/0105662 A1 *	5/2013	Cote	.....	F16M 13/00 248/689
2017/0188724 A1 *	7/2017	Lin	.....	F16M 11/041

\* cited by examiner

*Primary Examiner* — Rebekah A Caruso

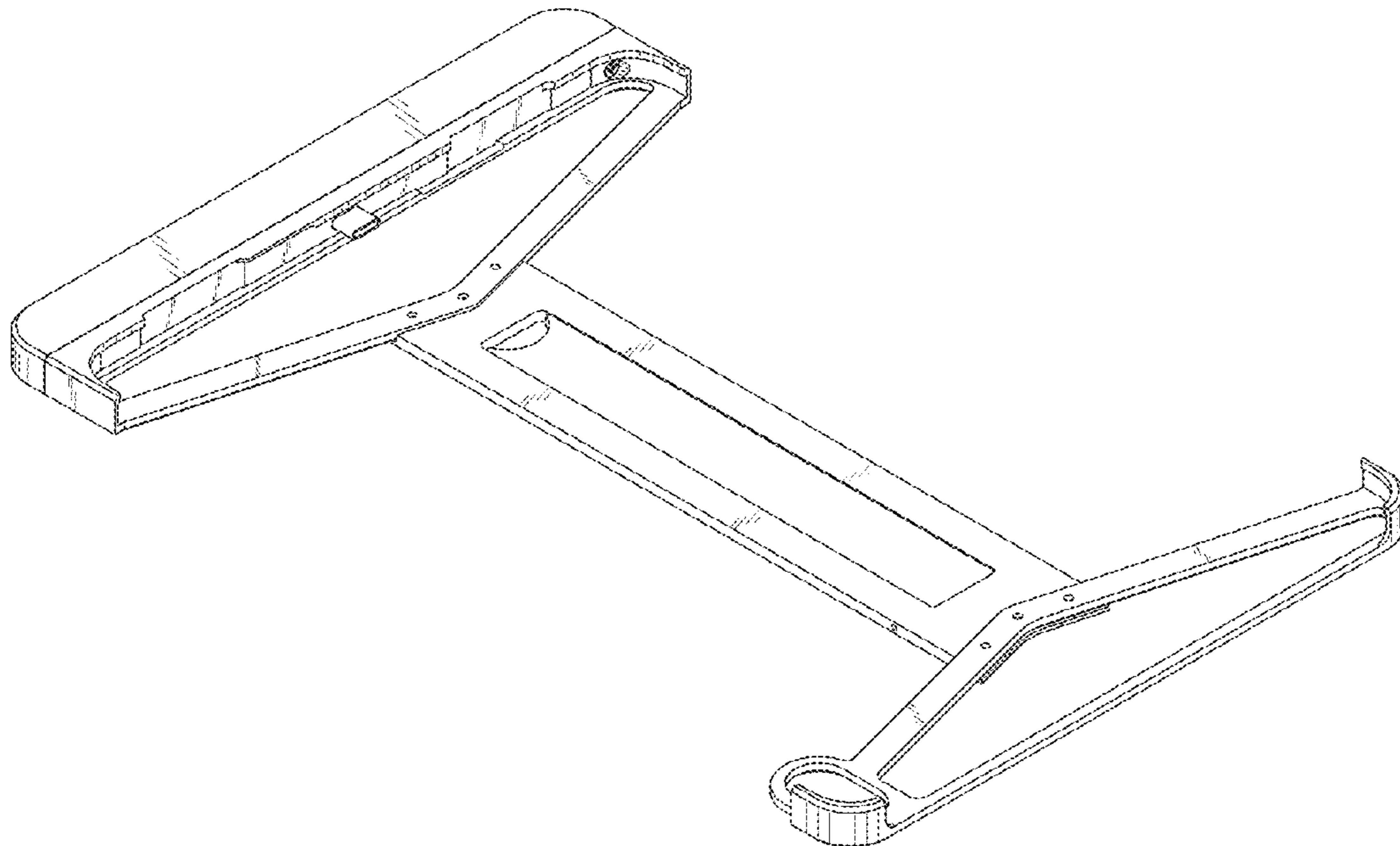
(57) **CLAIM**

The ornamental design for a docking station for a tablet, as shown and described.

**DESCRIPTION**

FIG. 1 is a front perspective view of the docking station for a tablet showing my new design;  
FIG. 2 is a rear perspective view thereof;  
FIG. 3 is a front elevational view thereof;  
FIG. 4 is a rear elevational view thereof;  
FIG. 5 is a left side elevational view thereof;  
FIG. 6 is a right side elevational view thereof;  
FIG. 7 is a top plan view thereof; and,  
FIG. 8 is a bottom plan view thereof.

**1 Claim, 6 Drawing Sheets**



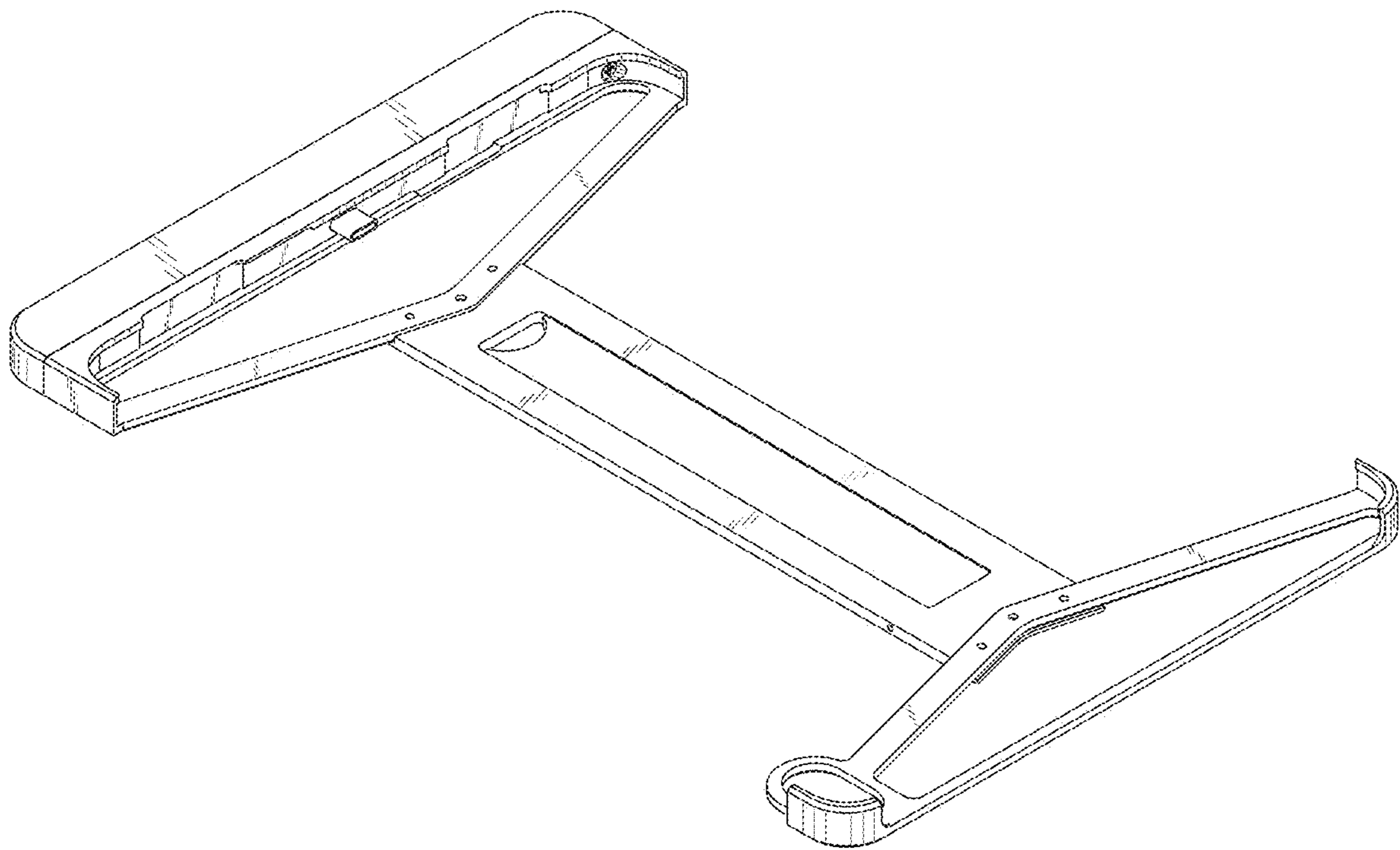


FIG.1

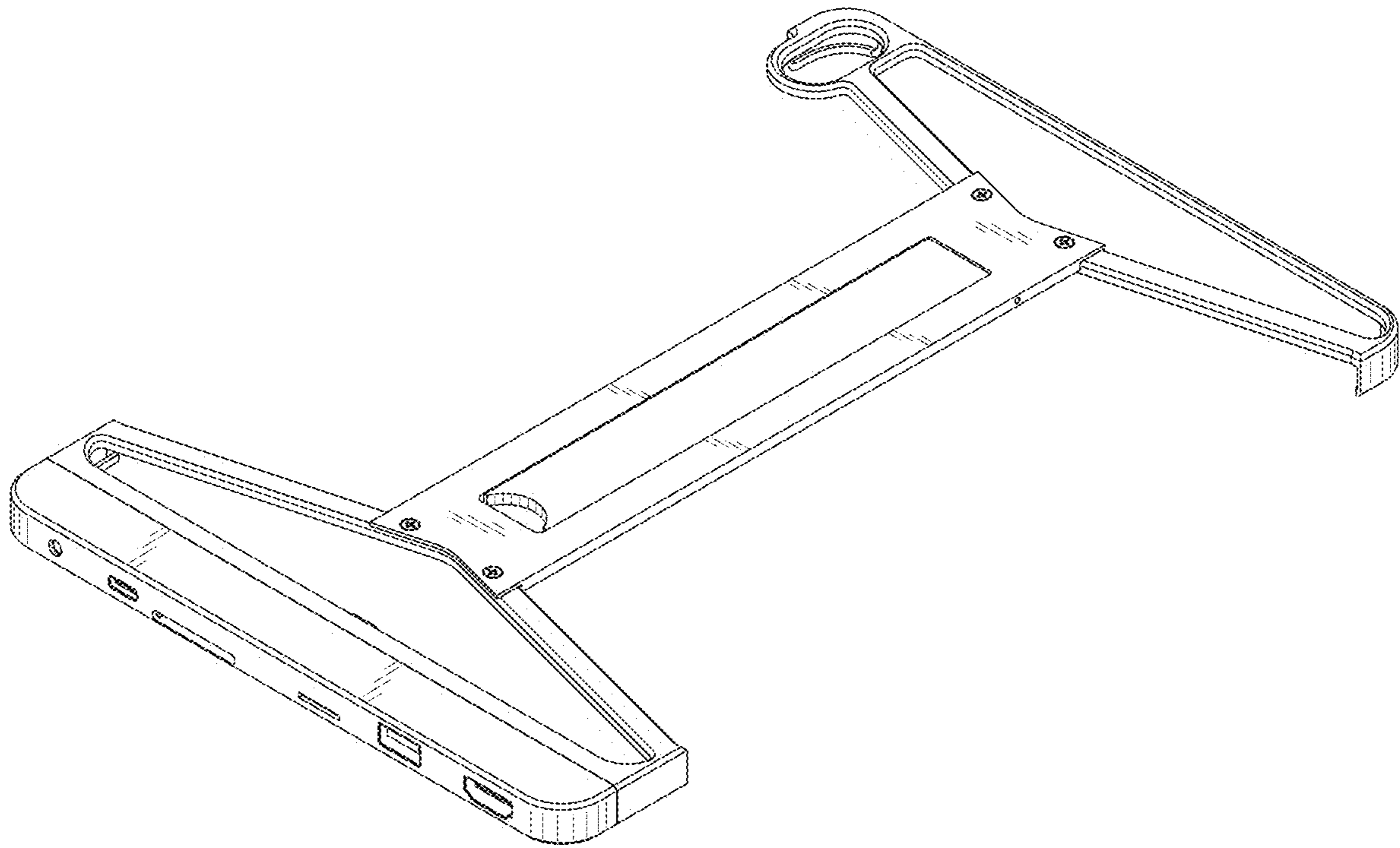


FIG.2

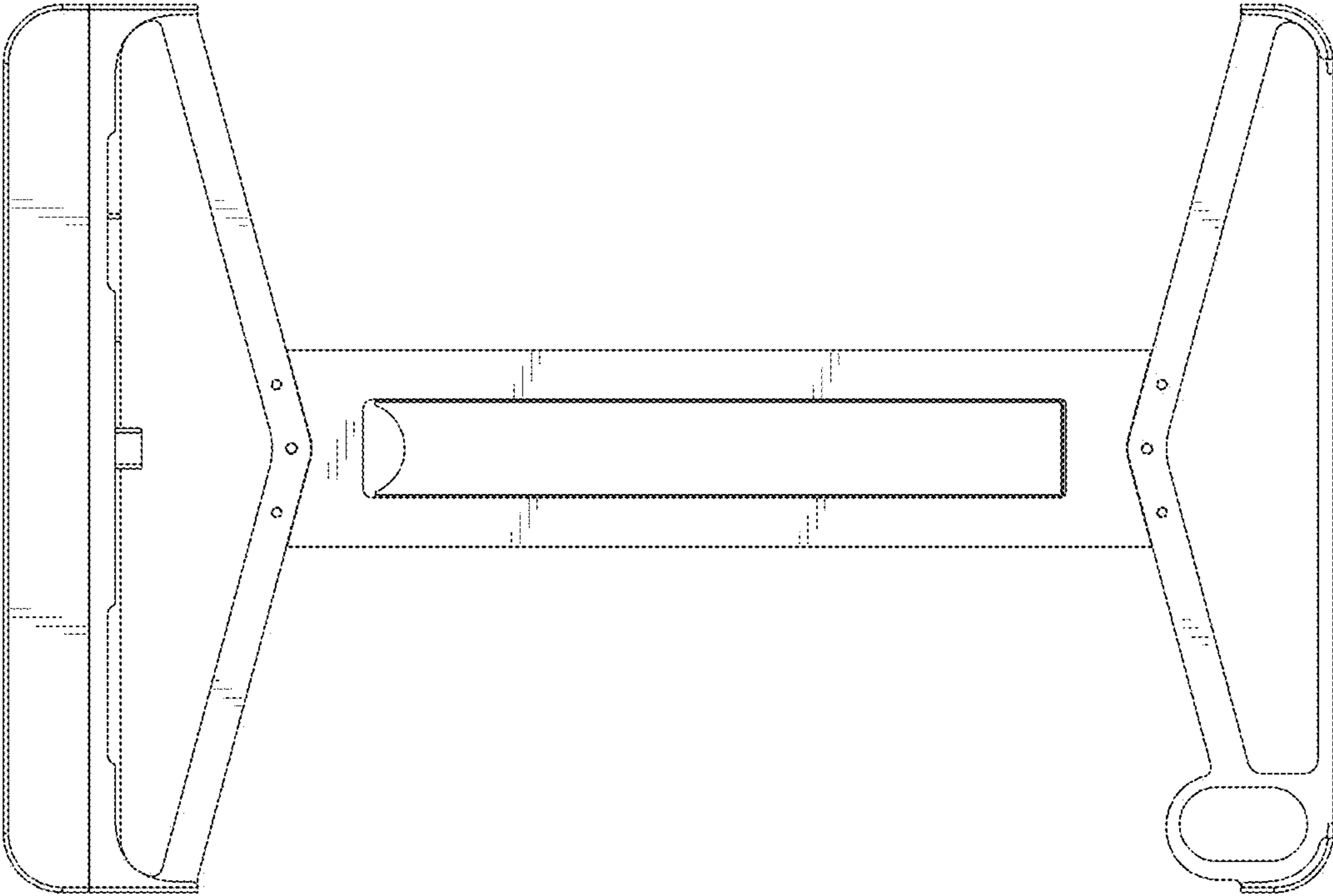


FIG.3

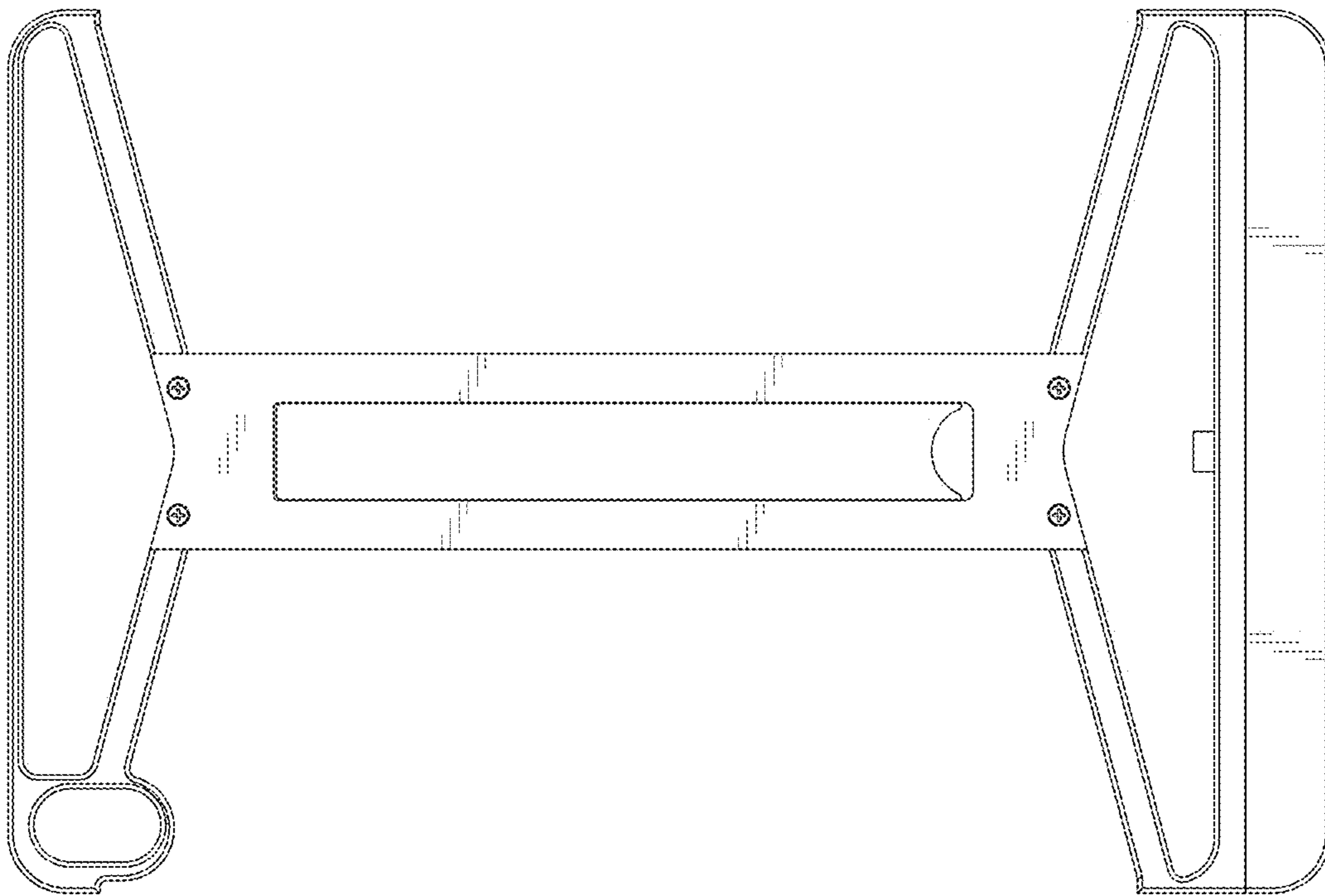


FIG.4

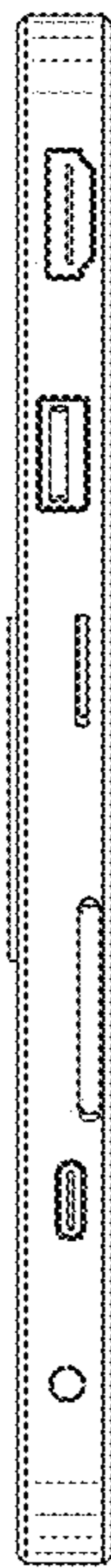


FIG.5



FIG.6

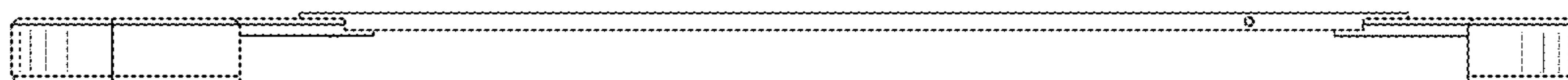


FIG.7



FIG.8