



US00D935462S

(12) **United States Design Patent** (10) **Patent No.:** **US D935,462 S**
Chen (45) **Date of Patent:** **** Nov. 9, 2021**

(54) **USB HUB**

(56) **References Cited**

(71) Applicant: **SHENZHEN TIANHAOLAN TECHNOLOGY CO., LTD.**, Shenzhen (CN)

U.S. PATENT DOCUMENTS

(72) Inventor: **Haihui Chen**, Longyan (CN)

D828,304 S *	9/2018	Chen	D13/139.8
D834,580 S *	11/2018	Wang	D14/435.1
D852,749 S *	7/2019	Wang	D13/139.8
D883,289 S *	5/2020	Chen	D14/433
D883,290 S	5/2020	Zhan		
D883,292 S *	5/2020	Lin	D14/433
D886,826 S	6/2020	Zhan		
D891,432 S *	7/2020	Lin	D14/433
D893,488 S *	8/2020	Liu	D14/433
D894,132 S *	8/2020	Zhan	D13/147
D896,227 S *	9/2020	Sjogren	D14/434
D897,343 S *	9/2020	Lin	D14/434
D900,111 S *	10/2020	Wu	D14/433
D907,041 S *	1/2021	Jiang	D14/433
D908,126 S *	1/2021	Chen	D14/433

(73) Assignee: **SHENZHEN TIANHAOLAN TECHNOLOGY CO., LTD.**, Shenzhen (CN)

(**) Term: **15 Years**

* cited by examiner

(21) Appl. No.: **29/749,725**

(22) Filed: **Sep. 9, 2020**

Primary Examiner — Austin Murphy

(51) **LOC (13) Cl.** **14-99**

(52) **U.S. Cl.**
USPC **D14/433**

(57) **CLAIM**

(58) **Field of Classification Search**

USPC D14/240, 242, 356, 357, 358, 378, 383, D14/384, 385, 386, 433, 434, 435.1, D14/480.1, 480.3, 480.4, 480.5, 480.6, D14/480.7; D13/103, 107, 108, 110, 146, D13/139.6–139.8, 147, 184; D18/12, D18/12.1, 12.3

CPC H01R 27/02; H01R 25/003; H01R 25/006; H01R 31/005; H01R 13/60; H01R 13/6658; H01R 13/72; G06F 1/1607; G06F 1/1632; G06F 1/1684; G06F 1/266; G06F 11/325; G06F 13/00; G06F 13/12; G06F 13/14; G06F 13/20; G06F 13/382; G06F 13/4022; G06F 9/4413

The ornamental design for a USB hub, as shown and described.

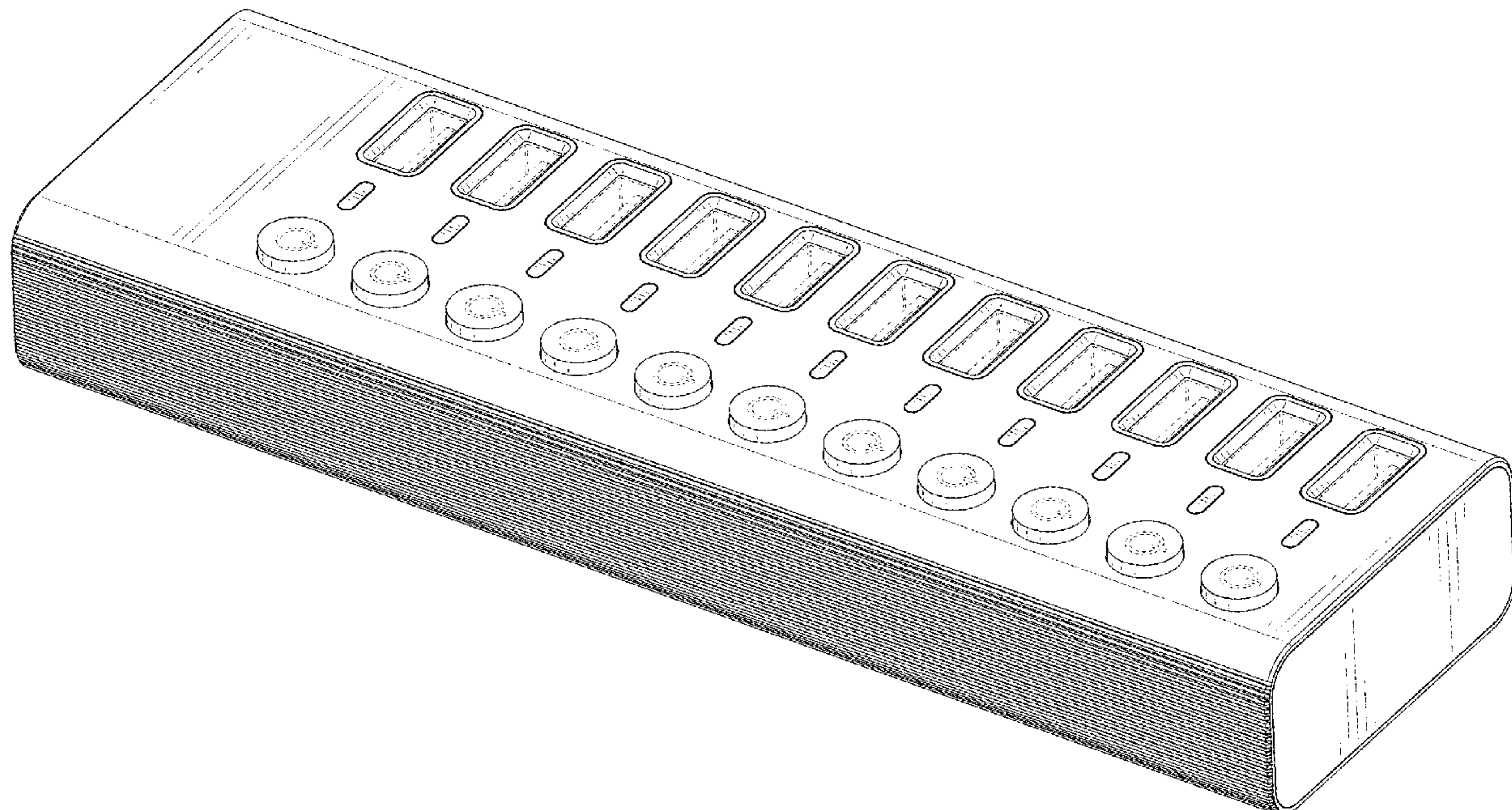
DESCRIPTION

FIG. 1 is a perspective view of a USB hub showing my new design;
 FIG. 2 is another perspective view thereof;
 FIG. 3 is a front elevational view thereof;
 FIG. 4 is a rear elevational view thereof;
 FIG. 5 is a left side elevational view thereof;
 FIG. 6 is a right side elevational view thereof;
 FIG. 7 is a top plan view thereof; and,
 FIG. 8 is a bottom plan view thereof.

The broken lines in the drawings depict portions of the USB hub that form no part of the claimed design.

See application file for complete search history.

1 Claim, 8 Drawing Sheets



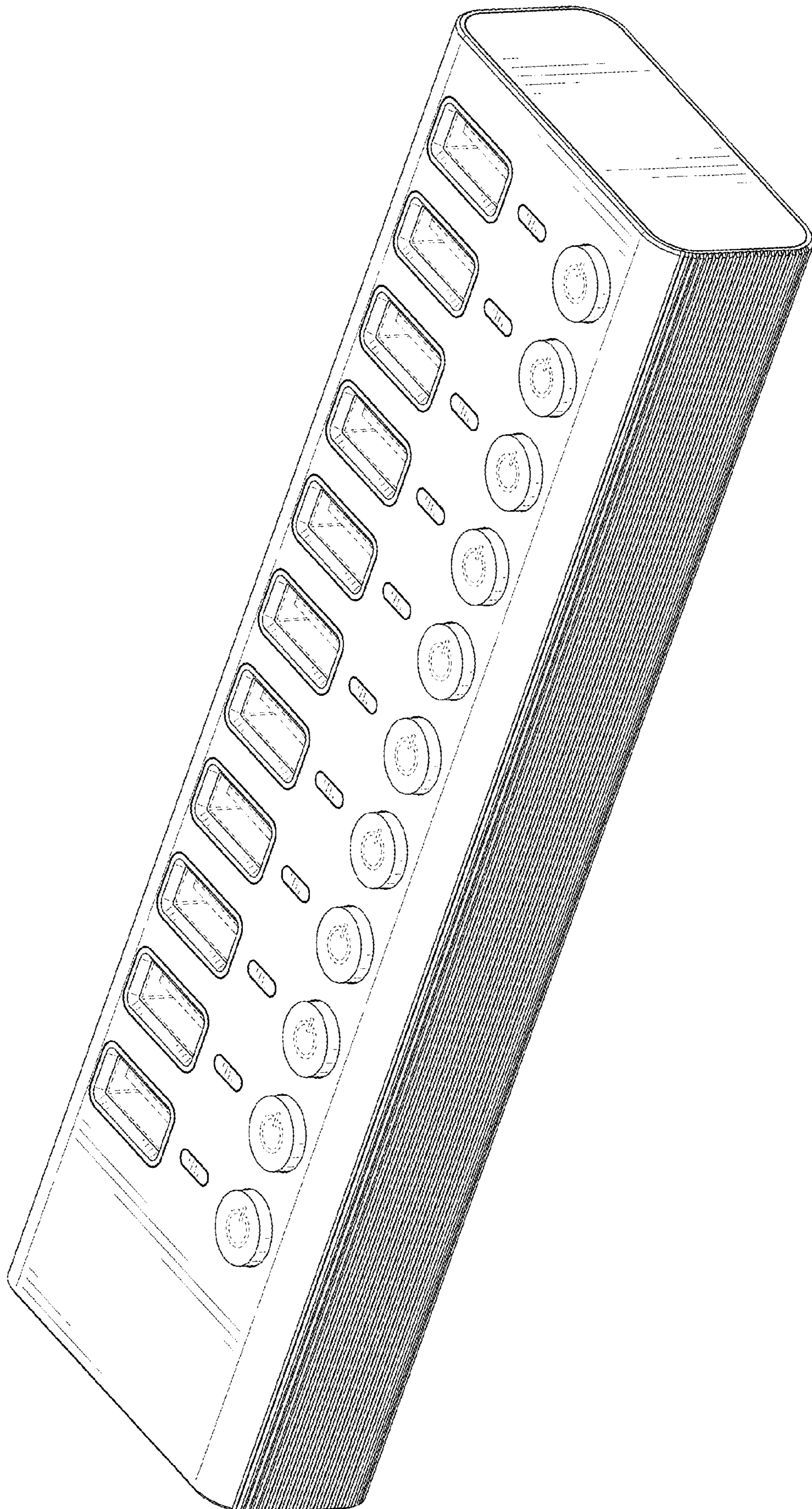


FIG. 1

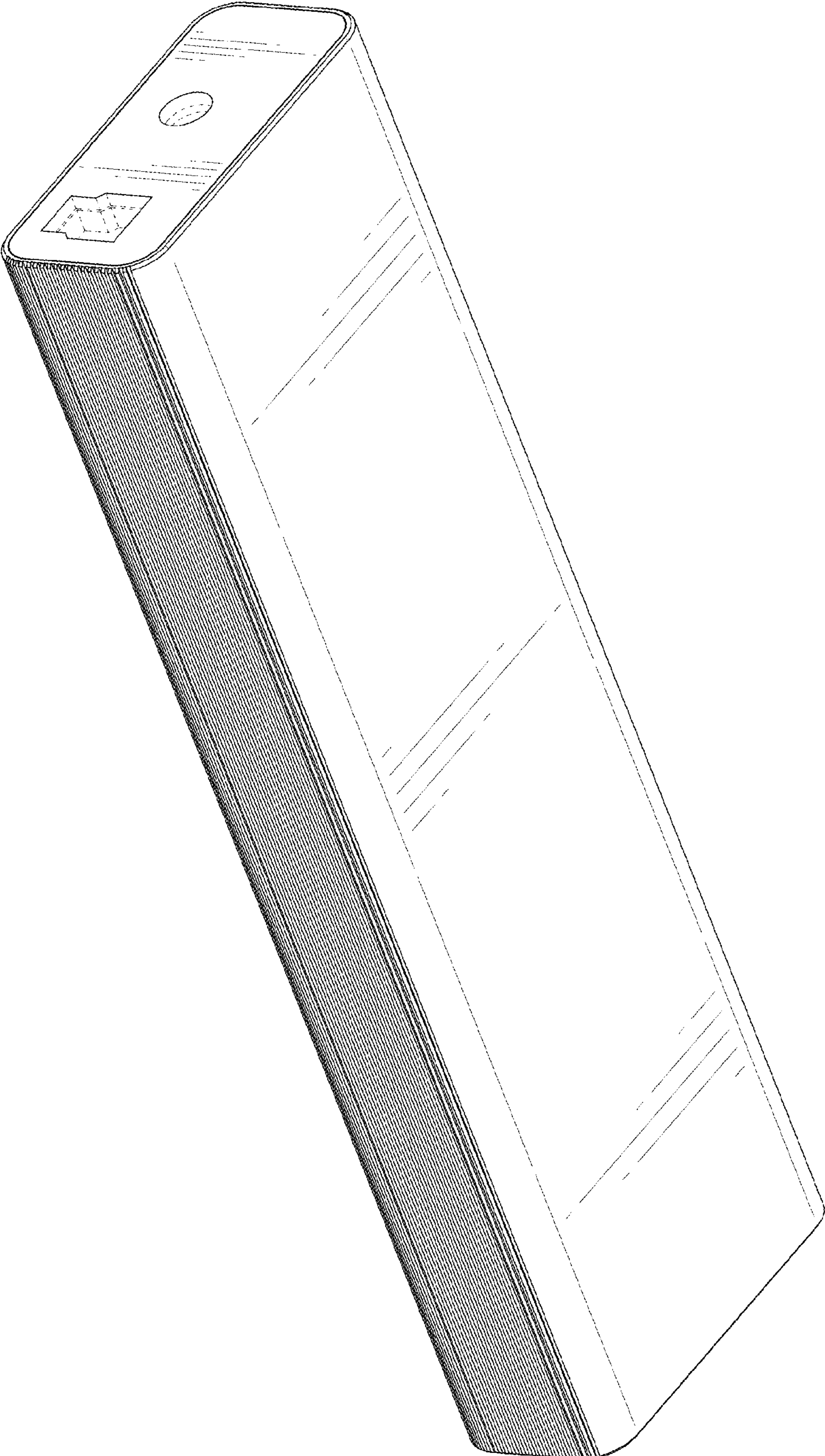


FIG. 2

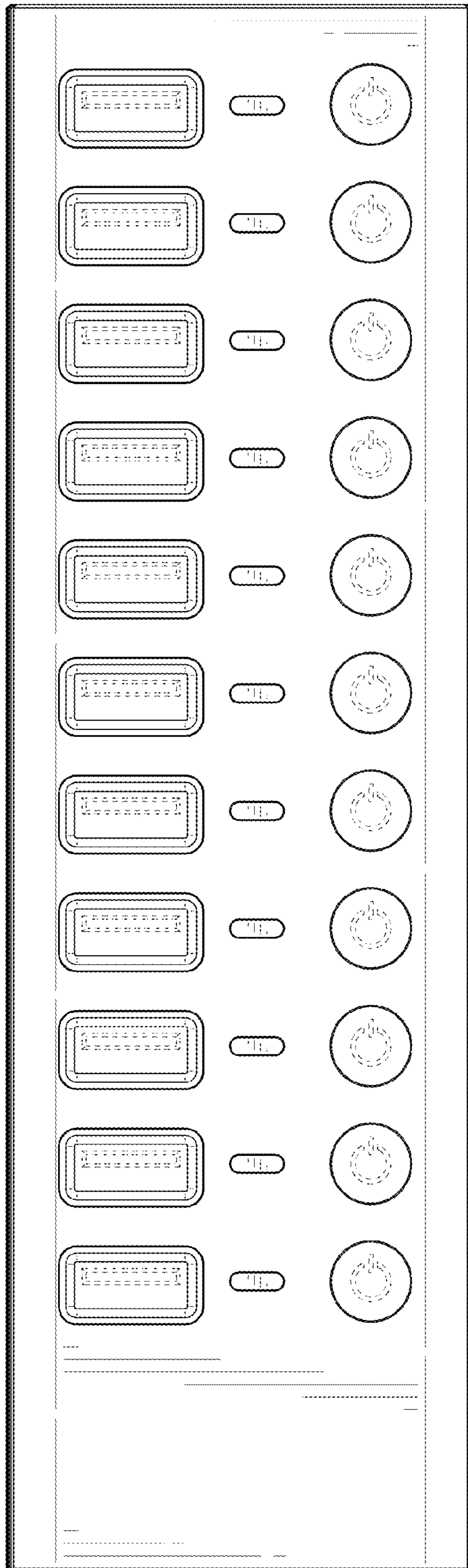


FIG. 3

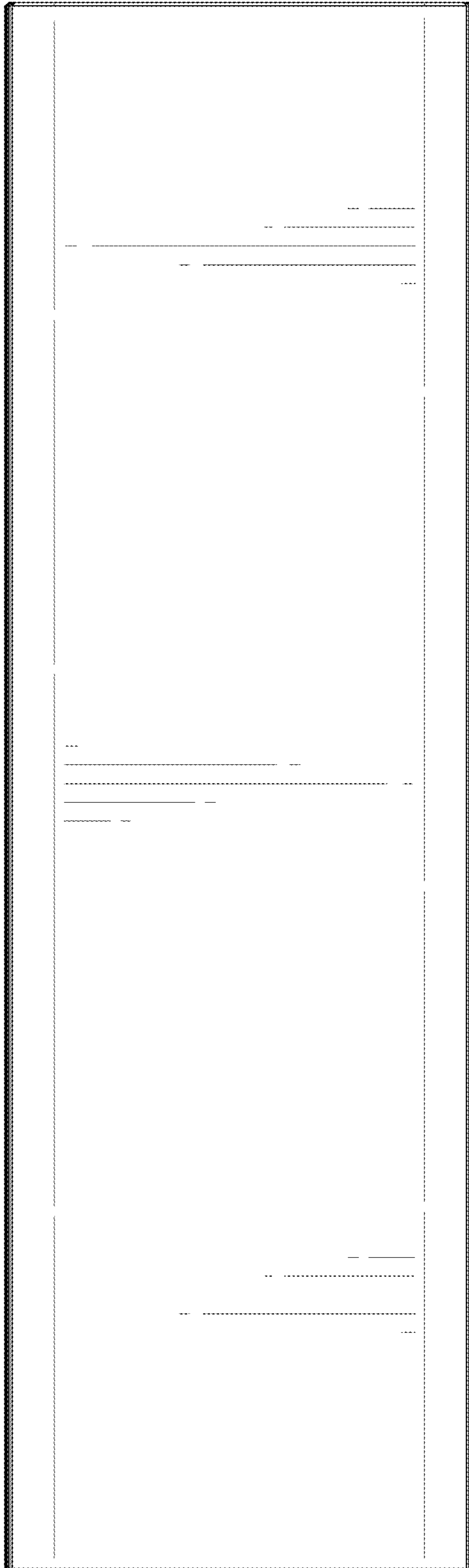


FIG. 4

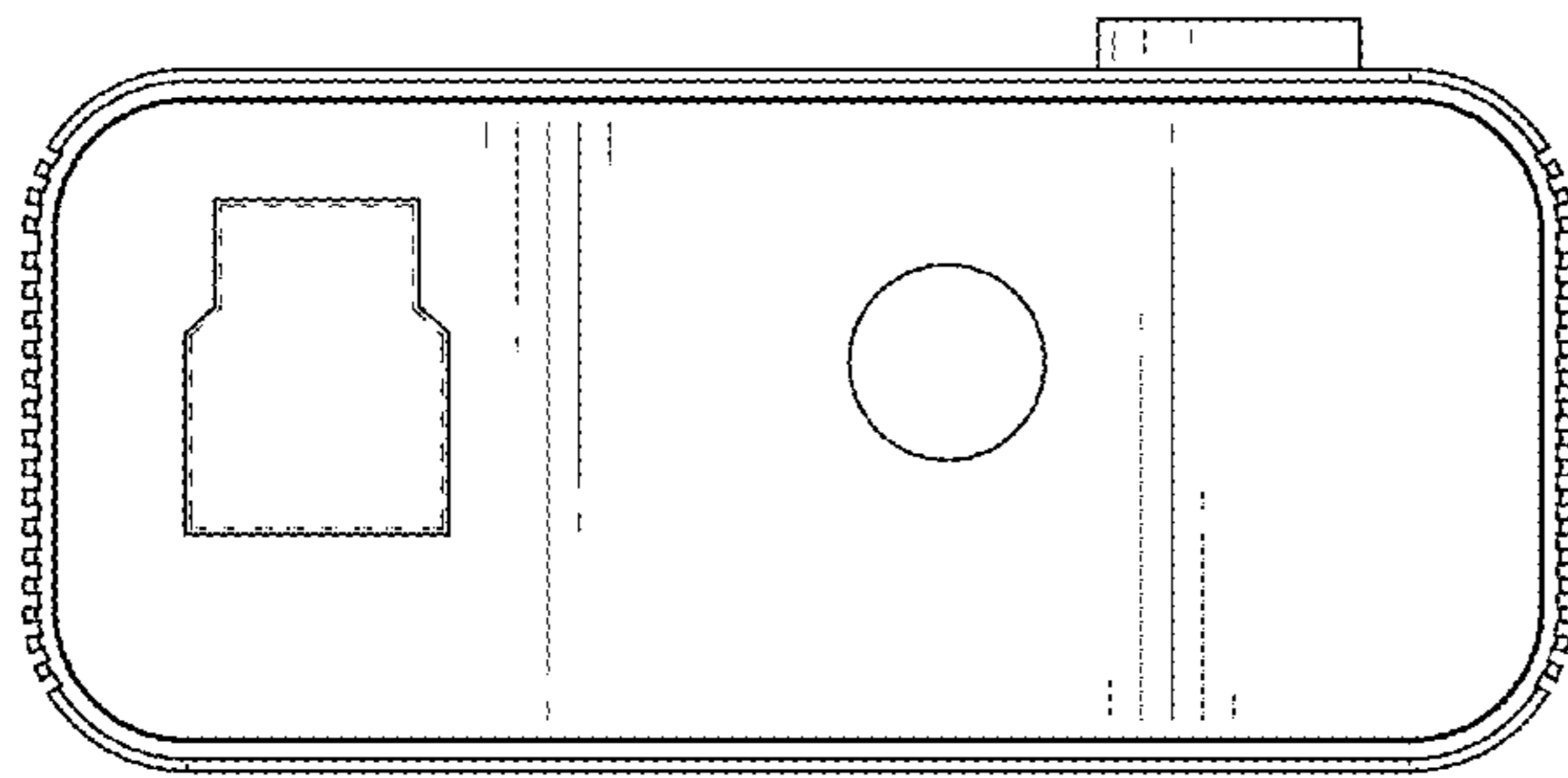


FIG. 5

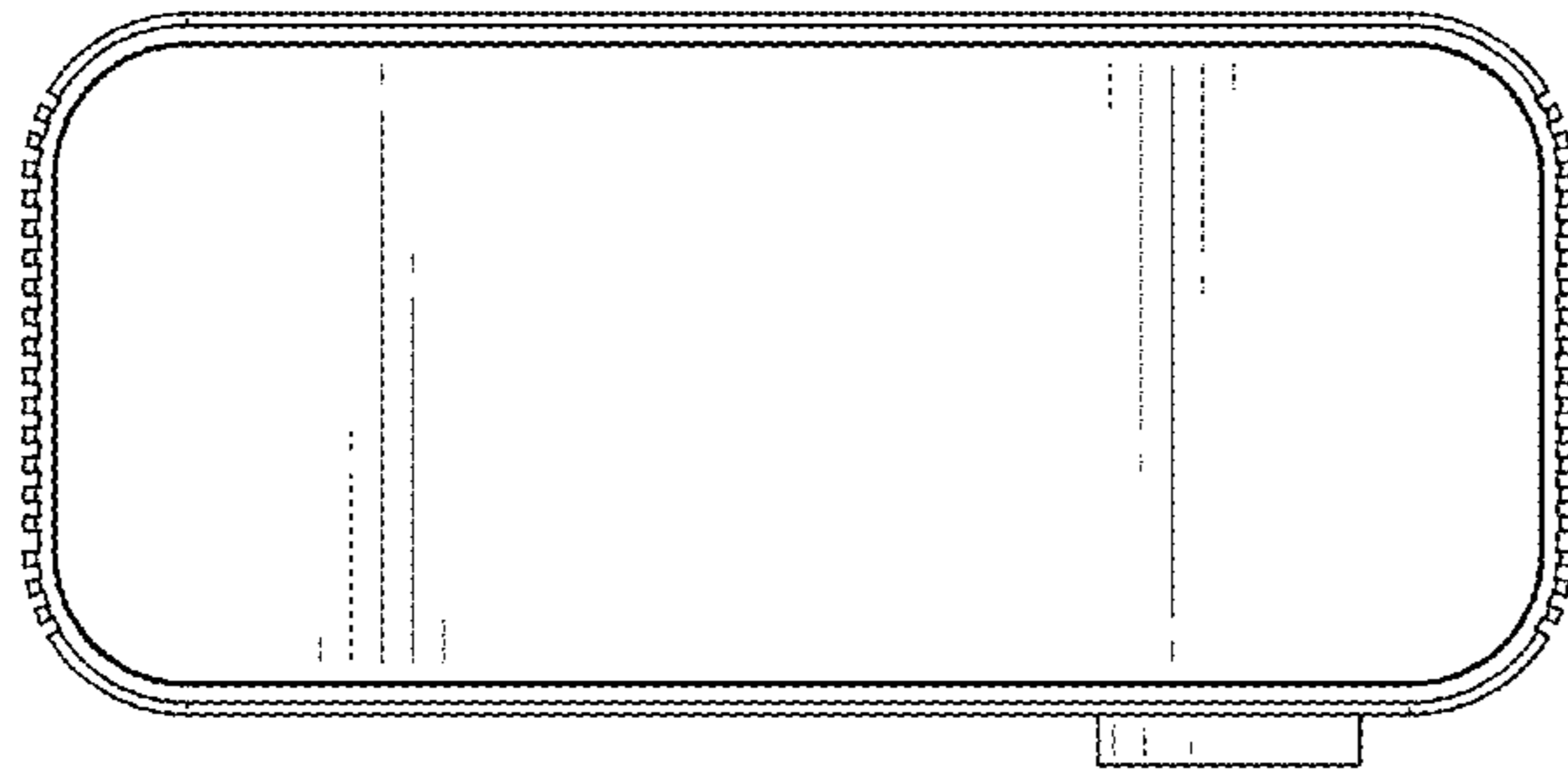


FIG. 6

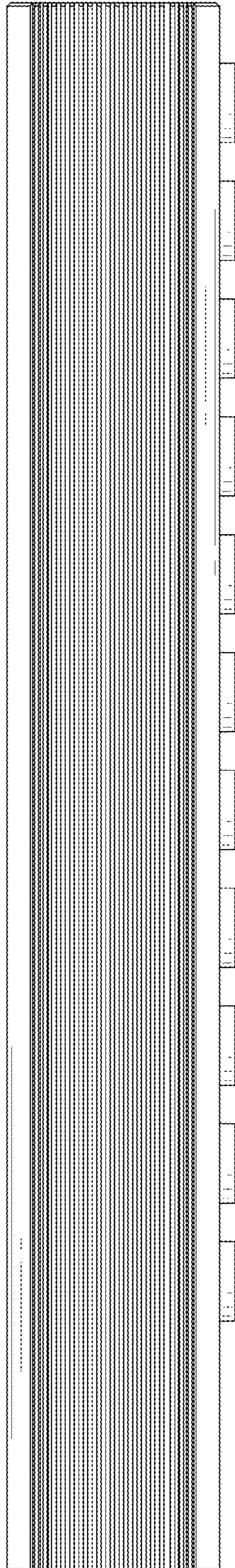


FIG. 7

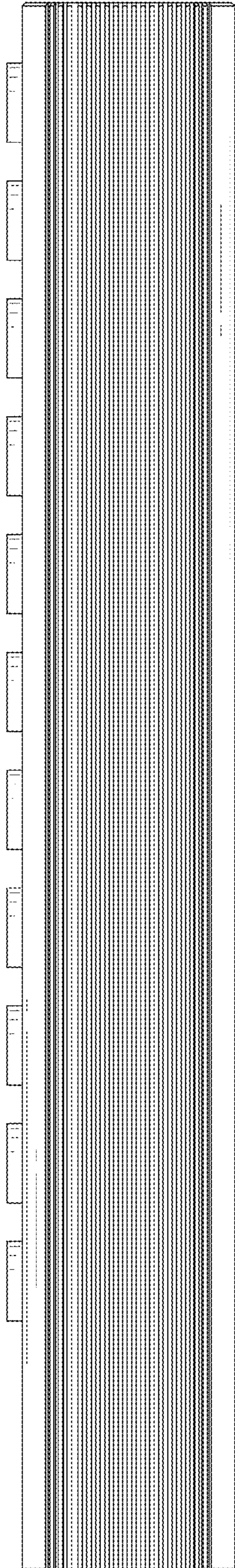


FIG. 8