



US00D935459S

(12) **United States Design Patent**  
**Haller et al.**

(10) **Patent No.:** **US D935,459 S**  
(45) **Date of Patent:** **\*\* Nov. 9, 2021**

(54) **ELECTRONIC DEVICE**

(71) Applicant: **Elo Touch Solutions, Inc.**, Milpitas, CA (US)

(72) Inventors: **Jeffrey Haller**, Redwood City, CA (US); **Lukas Martin Scherrer**, San Francisco, CA (US)

(73) Assignee: **Elo Touch Solutions, Inc.**, Milpitas, CA (US)

(\*\*) Term: **15 Years**

(21) Appl. No.: **29/684,237**

(22) Filed: **Mar. 19, 2019**

(51) **LOC (13) Cl.** ..... **14-02**

(52) **U.S. Cl.**  
USPC ..... **D14/375**

(58) **Field of Classification Search**  
USPC ..... D14/300, 305–307, 314, 336, 373, D14/375–376, 448, 450–451, 900–902, D14/126–127, 371, 203.8, 209.1, 302, D14/374; 40/406, 427; D20/39, 41–42; 345/1.1, 1.3; 211/180, 207; 248/122.1, 248/124.1, 220.21; 705/14.37–14.38, 705/14.65, 16, 26.1; 348/150–151  
CPC ... E04H 1/1227; E04H 1/1272; E04H 1/1222; G09F 13/00; G09F 9/00; G09F 9/3023; G09F 9/3026; G09F 15/00; G06F 1/20; G06F 1/1601  
See application file for complete search history.

(56) **References Cited**

**U.S. PATENT DOCUMENTS**

D687,484 S \* 8/2013 Eun ..... D18/4.6  
D713,447 S \* 9/2014 Balar ..... D18/4.6  
9,020,615 B2 \* 4/2015 Rihn ..... F16M 11/10  
700/19

D746,902 S \* 1/2016 Lyons ..... D18/4.5  
D752,587 S \* 3/2016 Gong ..... D14/375  
9,448,583 B1 \* 9/2016 Lee ..... E05D 11/0054  
(Continued)

**FOREIGN PATENT DOCUMENTS**

CN 303969144 \* 12/2016  
EM 006402764-0001 \* 5/2019  
EM 006402764-0004 \* 5/2019

**OTHER PUBLICATIONS**

15-inch EloPOS System, Elo Touch, elotouch.com, author unlisted, published on Sep. 29, 2020 per wayback machine © 2020 Elo Touch Solutions, Inc., online, site visited Nov. 27, 2020. Available from Internet, URL: <https://www.elotouch.com/pos-terminals-15-inch-16-9-elopos-system.html> (Year: 2020).\*

(Continued)

*Primary Examiner* — Holly E Thurman  
*Assistant Examiner* — Altaira J Swangin  
(74) *Attorney, Agent, or Firm* — Sterne, Kessler, Goldstein & Fox P.L.L.C.

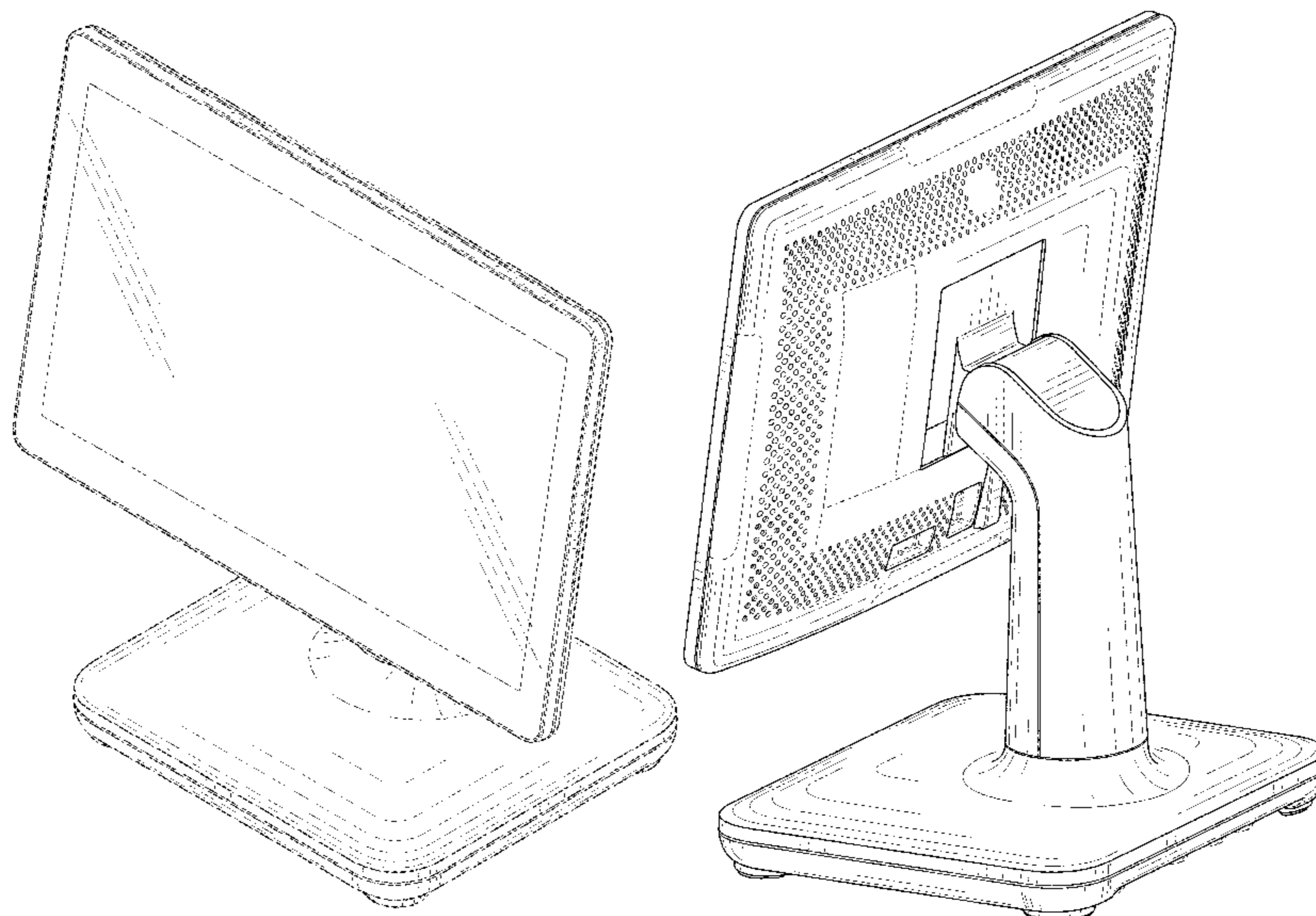
(57) **CLAIM**

The ornamental design for an electronic device, as shown and described.

**DESCRIPTION**

FIG. 1 is a top front perspective view of an electronic device showing the claimed design;  
FIG. 2 is a front view thereof;  
FIG. 3 is a rear view thereof;  
FIG. 4 is a right side view thereof;  
FIG. 5 is a left side view thereof;  
FIG. 6 is a top view thereof;  
FIG. 7 is a bottom view thereof; and,  
FIG. 8 is a top rear perspective view thereof.  
The dashed broken lines in the figures show portions of the electronic device that form no part of the claimed design.

**1 Claim, 8 Drawing Sheets**



(56)

**References Cited**

U.S. PATENT DOCUMENTS

D806,159 S \* 12/2017 Haller ..... D18/4.5  
 D807,424 S \* 1/2018 Chang ..... D18/4.4  
 D812,615 S \* 3/2018 Lee ..... D14/375  
 D816,662 S \* 5/2018 Haller ..... D14/336  
 D831,640 S \* 10/2018 Tivnon ..... D14/314  
 D844,046 S \* 3/2019 Yeruva ..... D18/4.5  
 D849,832 S \* 5/2019 Baker ..... D18/4.5  
 D882,676 S \* 4/2020 Sorio ..... D18/4.4  
 D882,680 S \* 4/2020 Eun ..... D18/4.5  
 D883,373 S \* 5/2020 Sorio ..... D18/4.4  
 D892,110 S \* 8/2020 Birgeoglu ..... D14/307  
 D907,038 S \* 1/2021 Yeruva ..... D14/375  
 D918,193 S \* 5/2021 Fredette ..... D14/307  
 D920,324 S \* 5/2021 Warren ..... D14/336  
 D924,867 S \* 7/2021 Chen ..... D14/336  
 D925,517 S \* 7/2021 Ushery, Jr. .... D14/307  
 D925,520 S \* 7/2021 Chen ..... D14/336

2015/0241919 A1\* 8/2015 Beatty ..... F16M 11/041  
 361/679.44  
 2016/0070964 A1\* 3/2016 Conrad ..... G07G 1/0018  
 348/150  
 2016/0091135 A1\* 3/2016 Chen ..... F16M 11/28  
 248/544  
 2016/0120050 A1\* 4/2016 Chen ..... F16M 13/00  
 361/679.01  
 2017/0276289 A1\* 9/2017 Phillips ..... E05B 73/0082  
 2018/0324974 A1\* 11/2018 Mills ..... F16M 11/041  
 2020/0319668 A1\* 10/2020 Bain ..... H04L 63/0428  
 2020/0344115 A1\* 10/2020 Power ..... H04L 41/082

OTHER PUBLICATIONS

CX7 Pos System, NCR, dascus.de, author unlisted, 2019 product brochure © 2019 NCR Corporation, Inc., online, site visited Nov. 27, 2020. Available from Internet, URL: <https://www.dascus.de/images/Portfolio/NCR/NCR-CX7-Datasheet.pdf> (Year: 2019).\*

\* cited by examiner

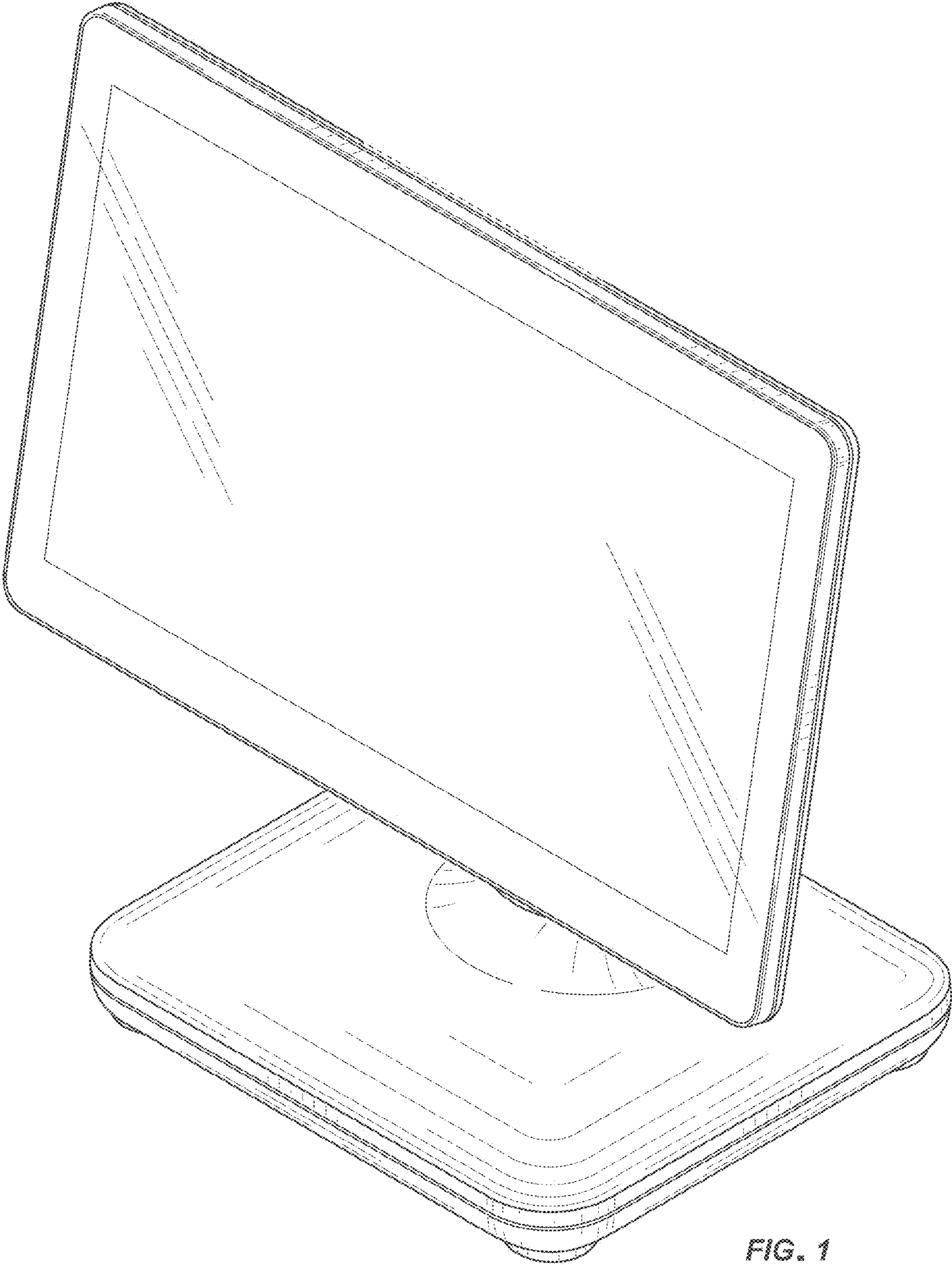


FIG. 1



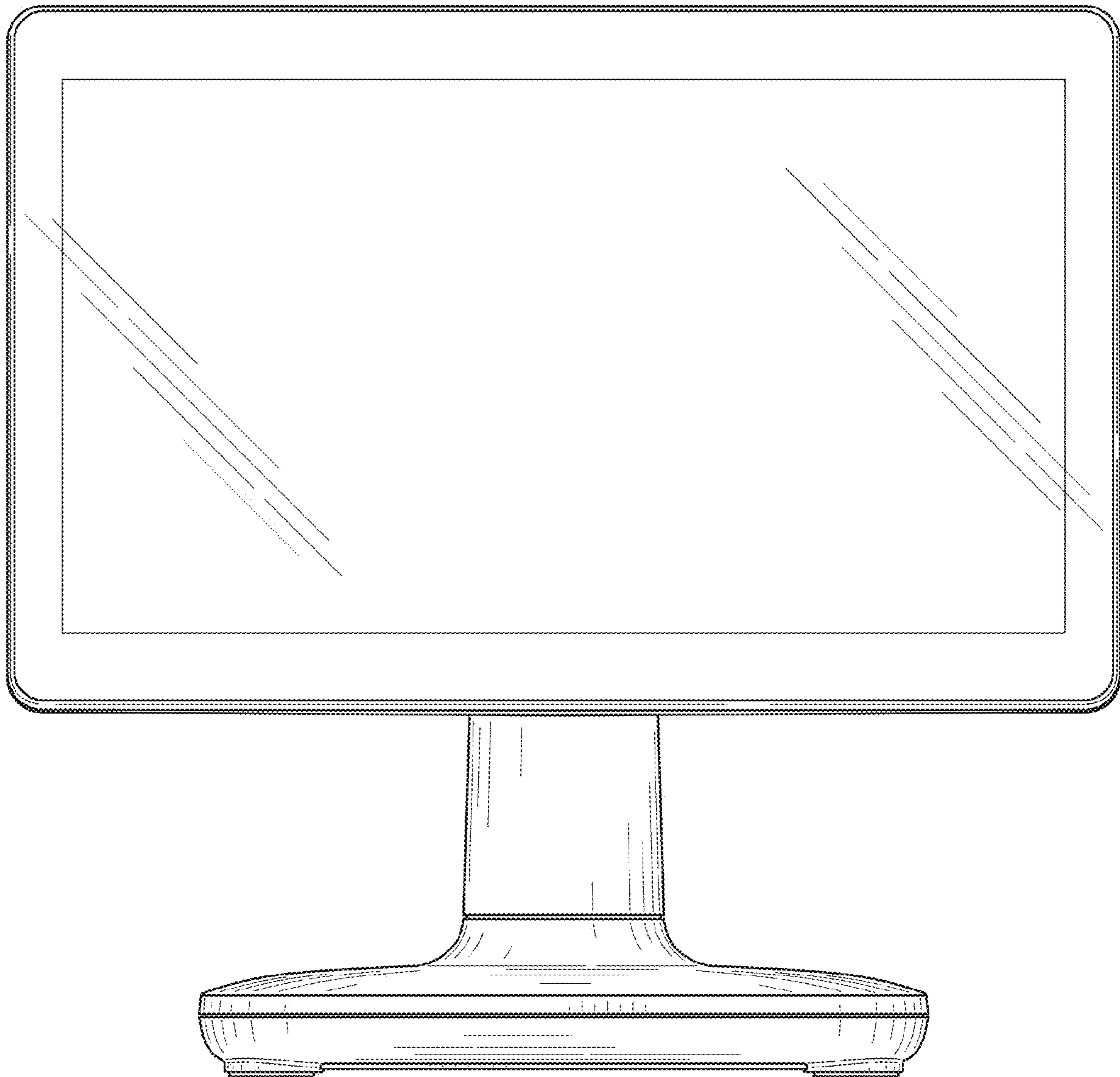


FIG. 2

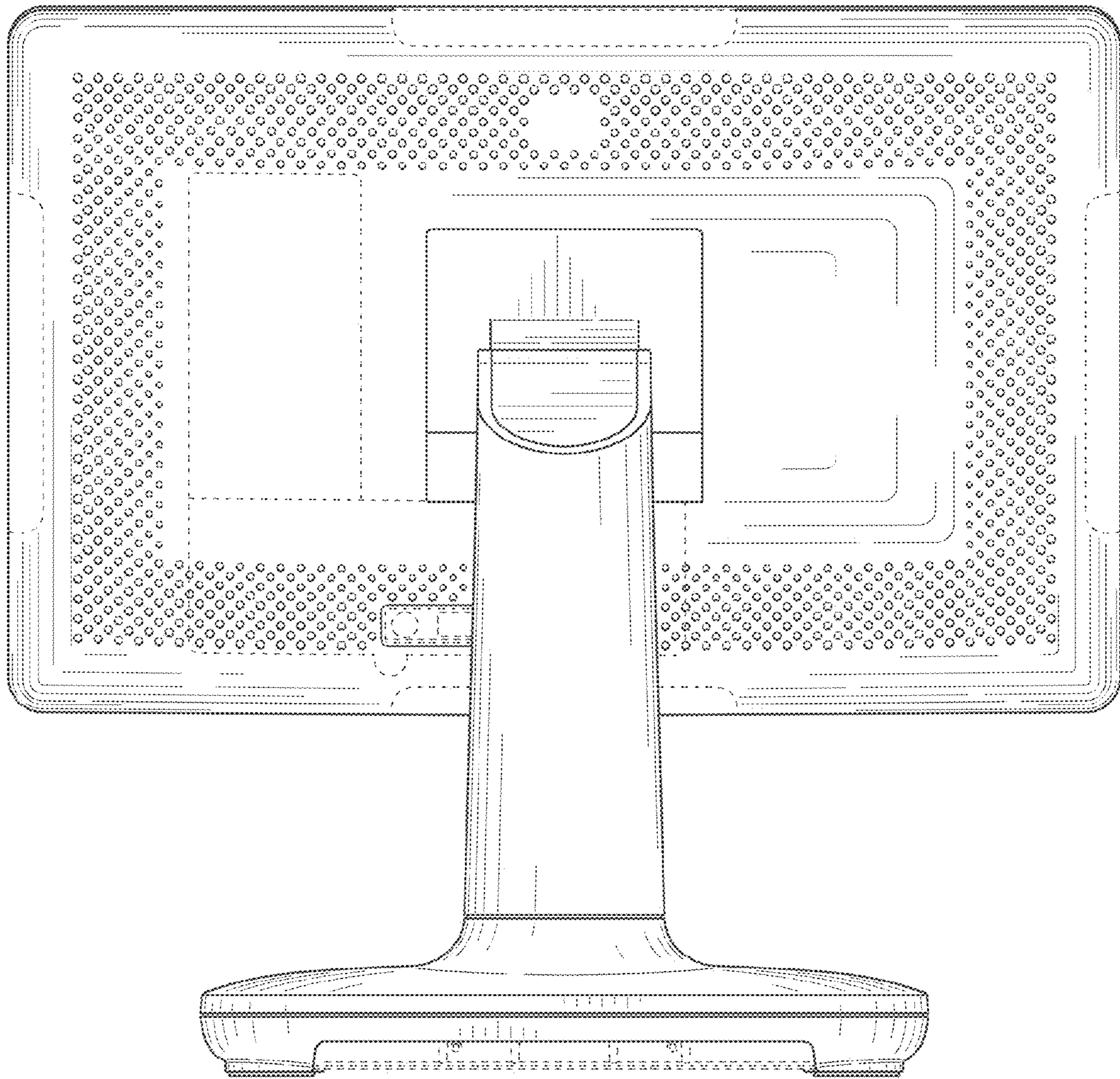


FIG. 3

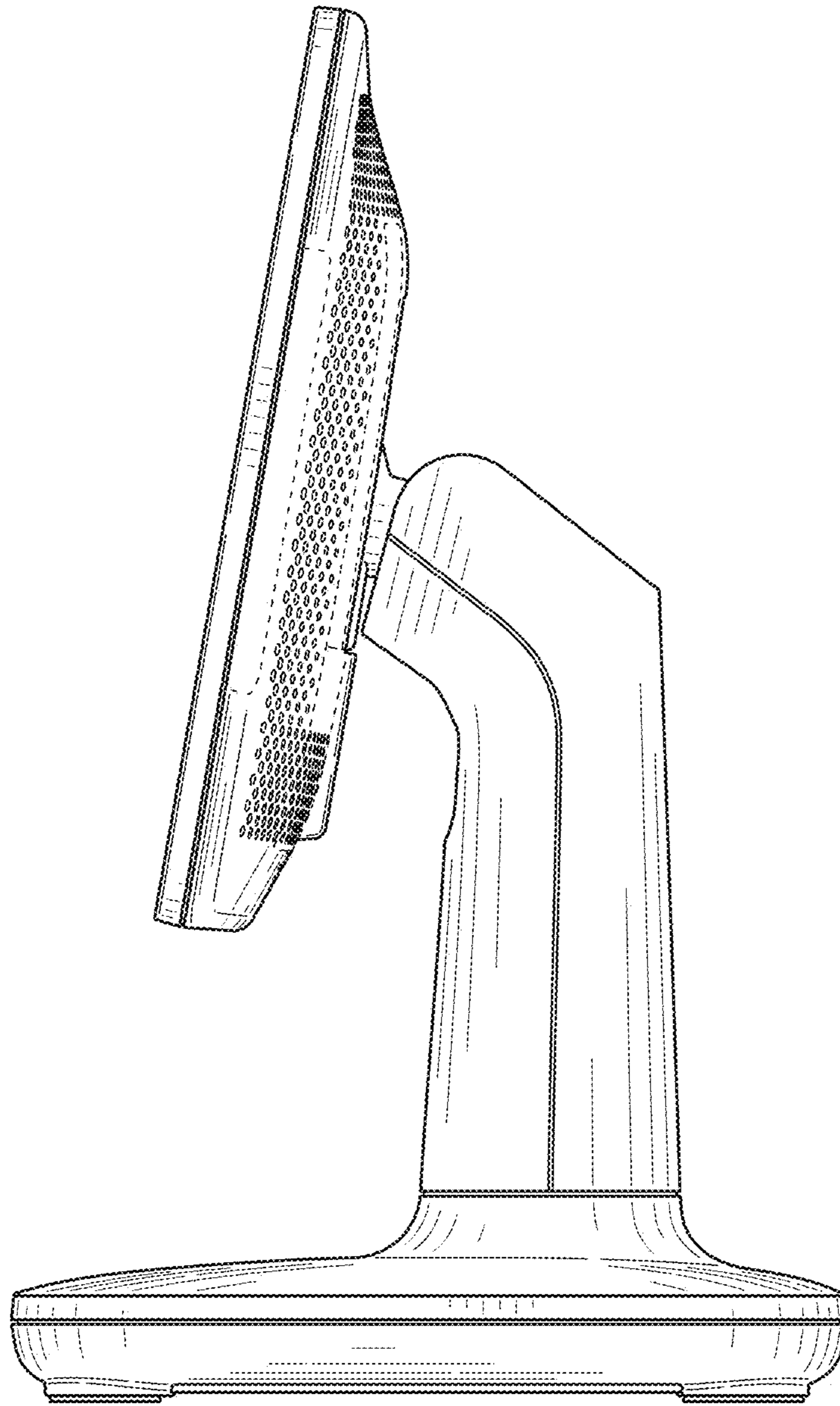


FIG. 4

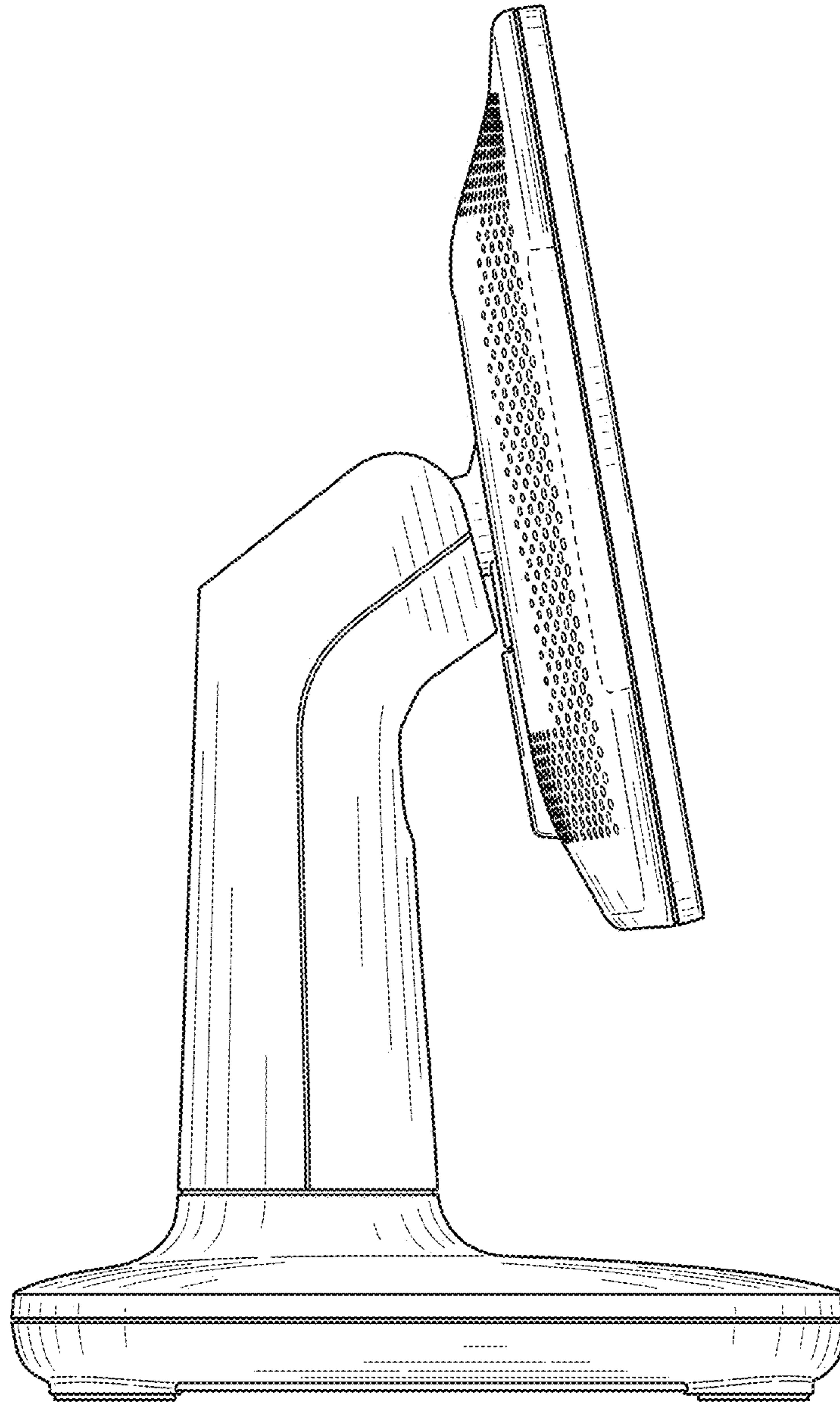


FIG. 5



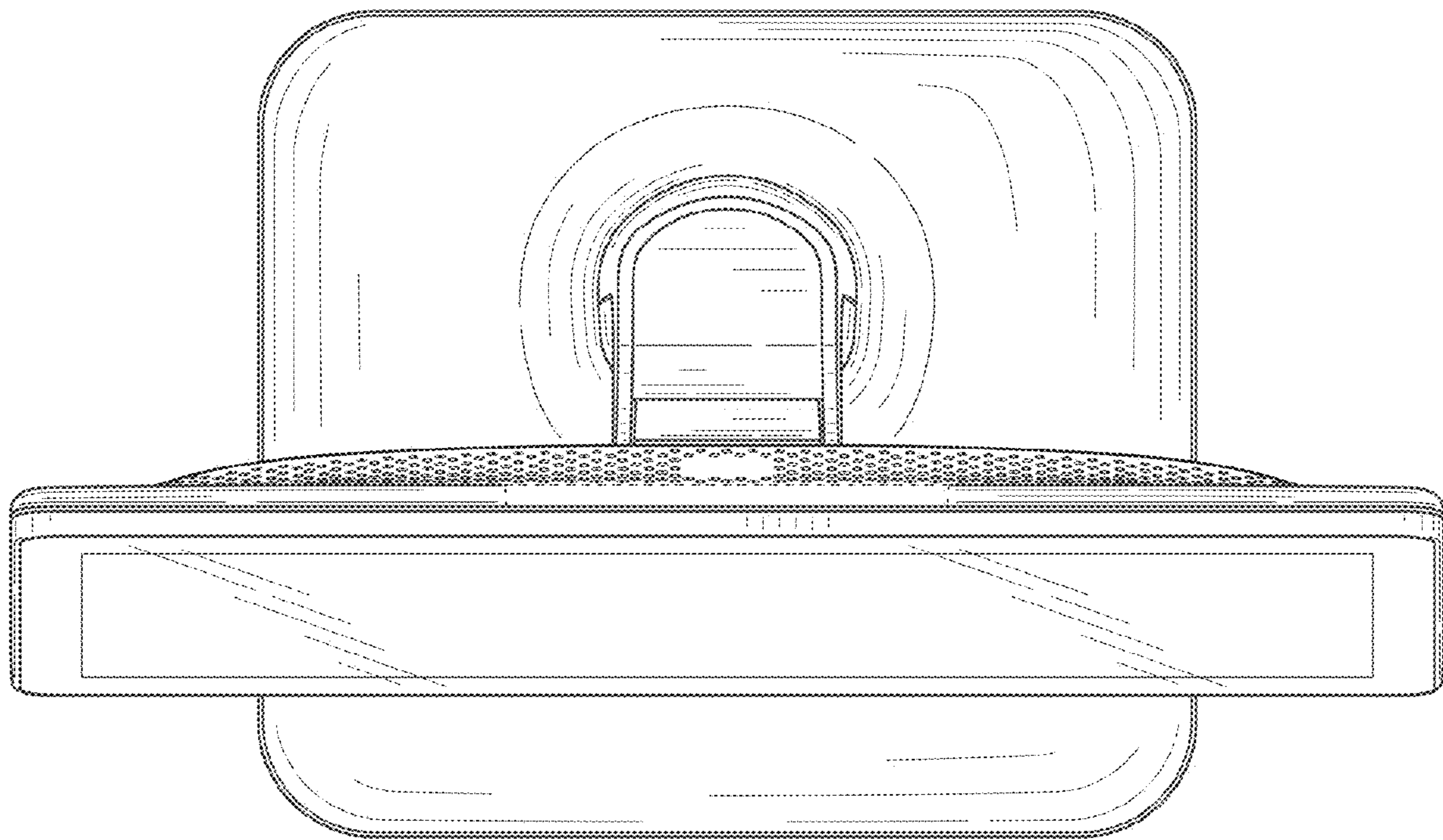


FIG. 6



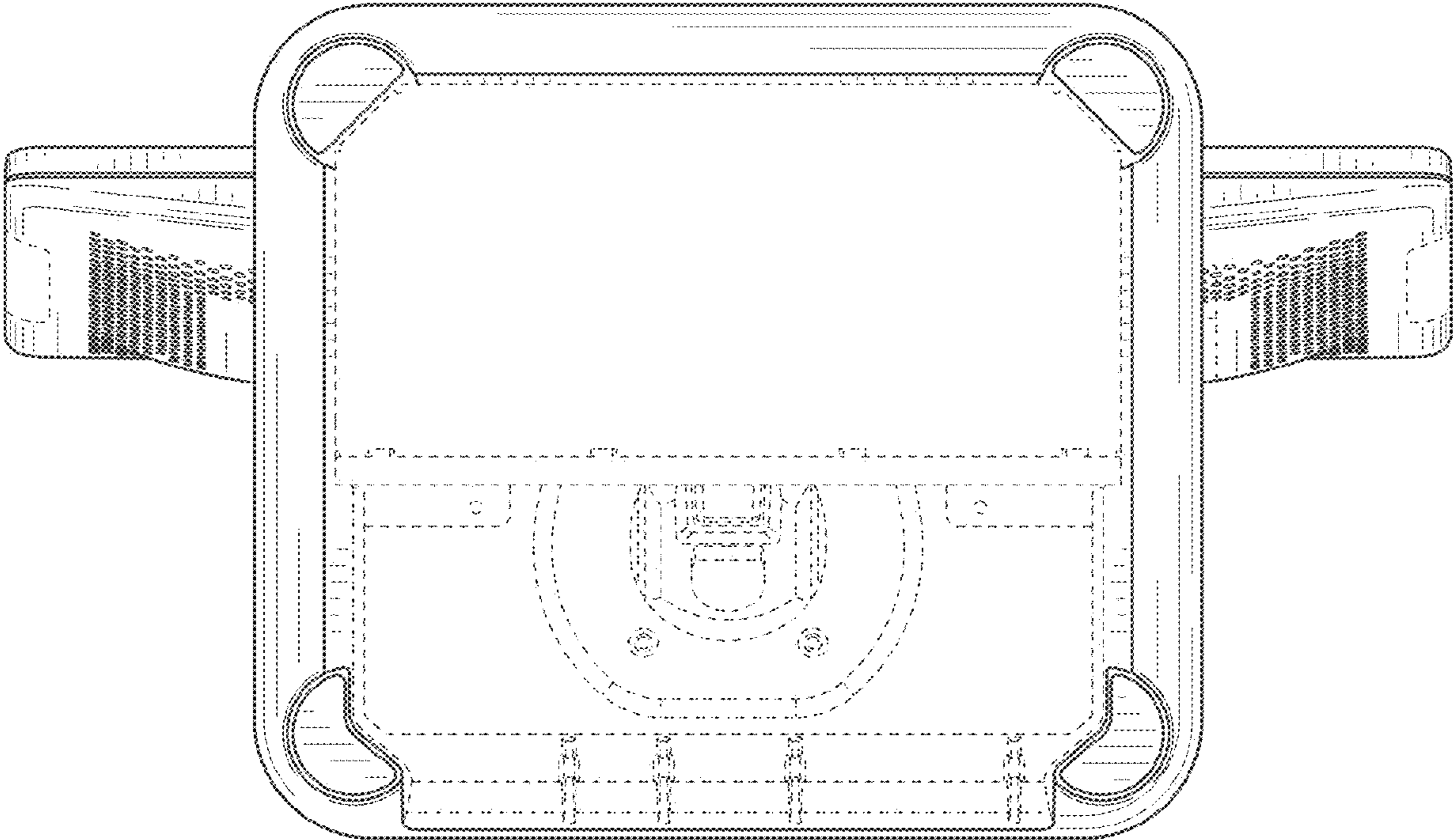


FIG. 7

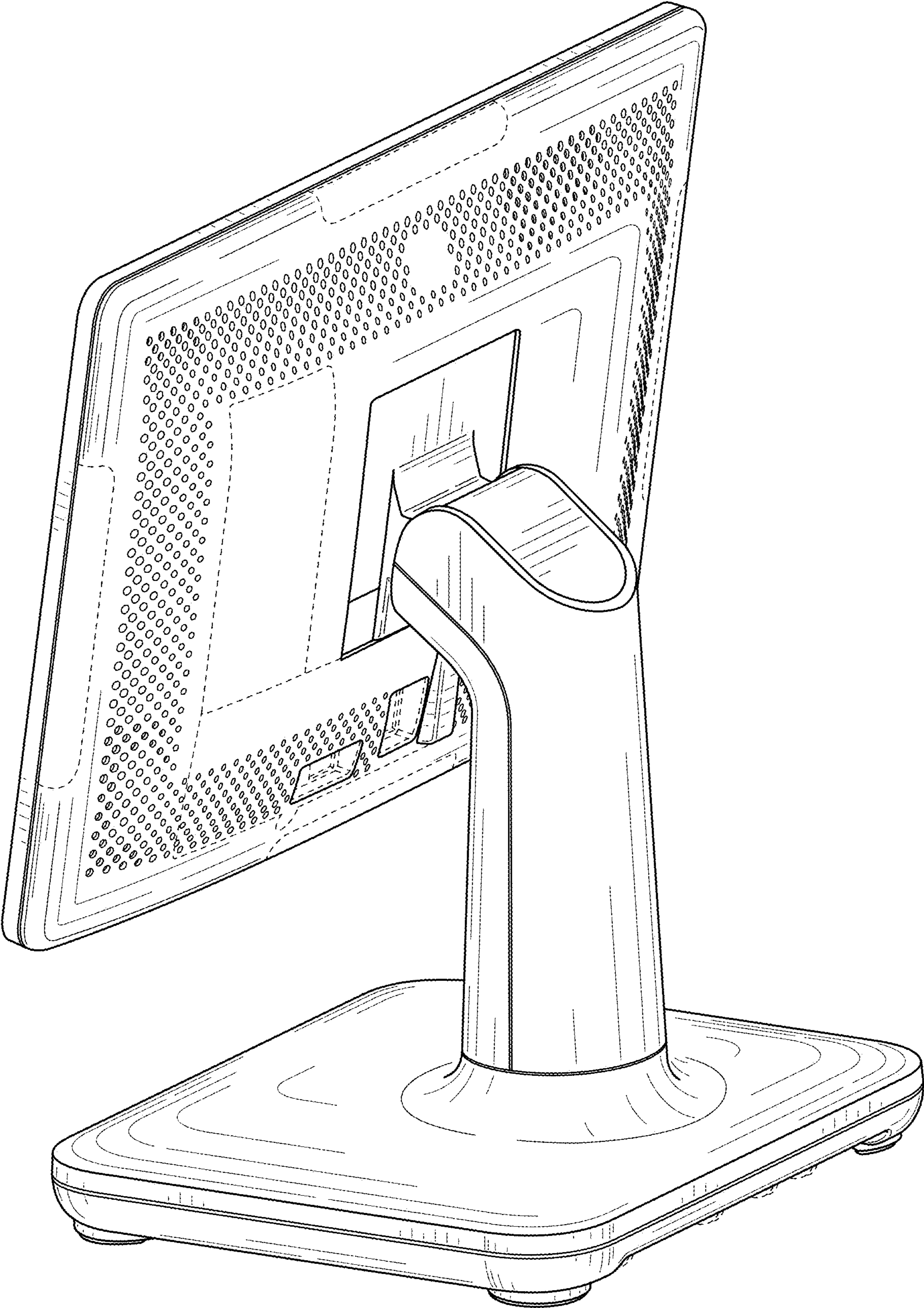


FIG. 8