



US00D935458S

(12) **United States Design Patent** (10) **Patent No.:** **US D935,458 S**
Ambridge et al. (45) **Date of Patent:** **** Nov. 9, 2021**

(54) **SUPPORT STRUCTURE**

(71) Applicant: **Colebrook Bosson & Saunders (Products) Limited**, London (GB)

(72) Inventors: **Alex Ambridge**, London (GB); **Simon Bibby**, London (GB); **Kevin Oliver**, London (GB)

(73) Assignee: **COLEBROOK BOSSON & SAUNDERS (PRODUCTS) LIMITED**, London (GB)

(**) Term: **15 Years**

(21) Appl. No.: **29/672,901**

(22) Filed: **Dec. 10, 2018**

(51) **LOC (13) Cl.** **14-02**

(52) **U.S. Cl.**
USPC **D14/375**

(58) **Field of Classification Search**
USPC D14/138 AB, 336, 371, 374–375, 203.8, D14/206, 214, 253, 307, 348–355, 372,
(Continued)

(56) **References Cited**

U.S. PATENT DOCUMENTS

D246,534 S * 11/1977 Buckley D24/177
D275,431 S * 9/1984 Usab 248/921
(Continued)

FOREIGN PATENT DOCUMENTS

CN 303143804 * 3/2015
CN 304197758 * 7/2017
(Continued)

OTHER PUBLICATIONS

Lima Monitor Arm, Colebrook Bossons Saunders, colebrookbossonsauanders.com, author and date unlisted © 2020

Herman Miller Company, online, site visited Jun. 16, 2020. Available at URL: <https://www.colebrookbossonsauanders.com/monitor-arms/lima/> (Year: 2020).*

(Continued)

Primary Examiner — Sandra Snapp

Assistant Examiner — Altaira J Swangin

(74) *Attorney, Agent, or Firm* — Michael Best & Friedrich LLP

(57) **CLAIM**

The ornamental design for a support structure, as shown and described.

DESCRIPTION

FIG. 1 is a first perspective view of the design with the arms at an angled orientation.

FIG. 2 is a second perspective view of FIG. 1.

FIG. 3 is a left side elevation view of FIG. 1.

FIG. 4 is a right side elevation view of FIG. 1.

FIG. 5 is a rear elevation view of FIG. 1.

FIG. 6 is a front elevation view of FIG. 1.

FIG. 7 is a top plan view of FIG. 1 with the arms at a straight orientation.

FIG. 8 is a bottom plan view of FIG. 1 with the arms at a straight orientation.

FIG. 9 is a first perspective view of another embodiment of the design with the arms at an angled orientation;

FIG. 10 is a second perspective view of FIG. 9

FIG. 11 is a front view of FIG. 9;

FIG. 12 is a rear view of FIG. 9;

FIG. 13 is a left side view of FIG. 9;

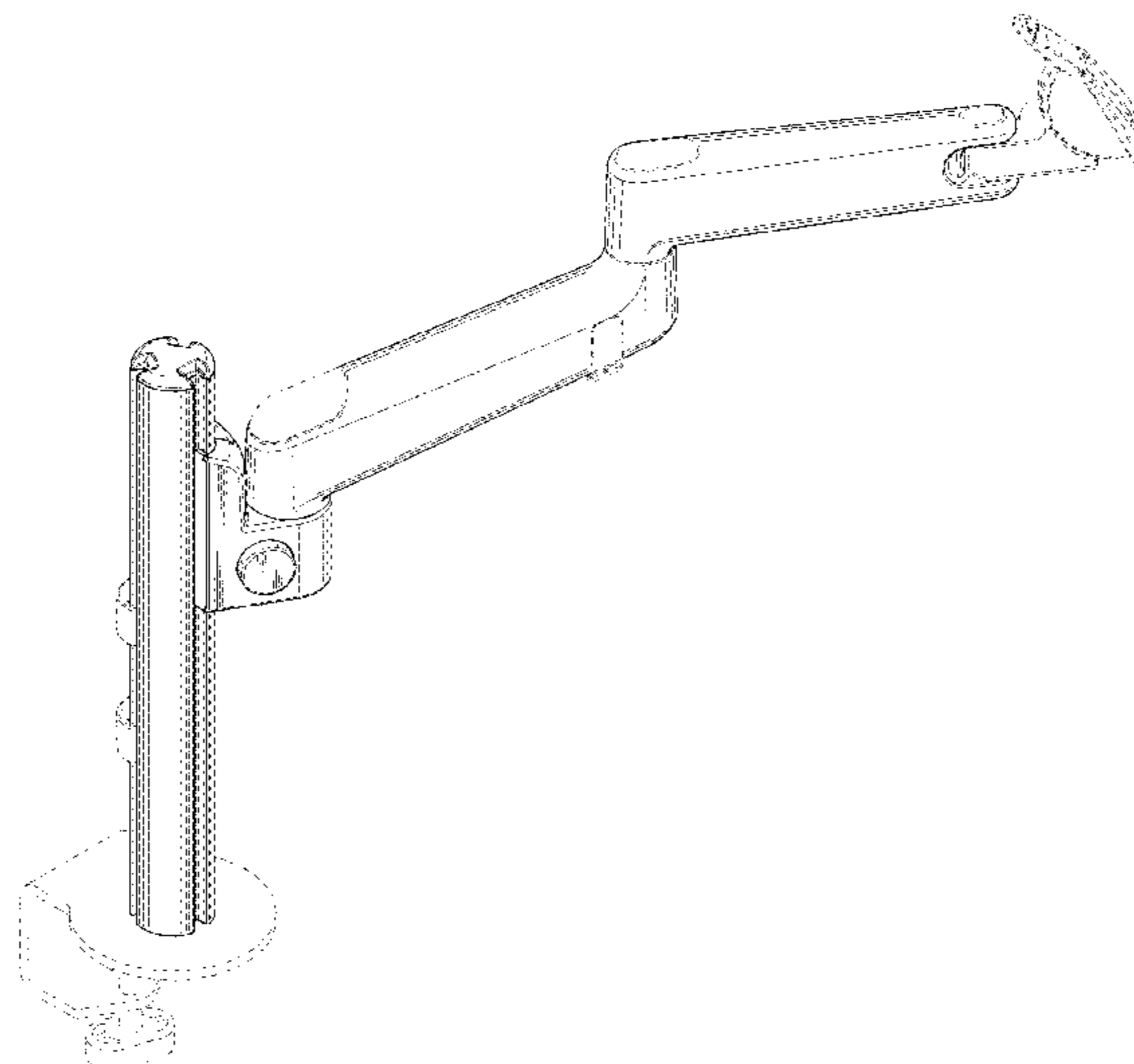
FIG. 14 is a right side view of FIG. 9;

FIG. 15 is a top view of FIG. 9 with the arms at a straight orientation; and,

FIG. 16 is a bottom view of FIG. 9 with the arms at a straight orientation.

The broken lines shown in the drawings represent portions of the support structure that form no part of the claimed design.

1 Claim, 16 Drawing Sheets



(58) **Field of Classification Search**

USPC D14/375-380, 388-389, 900, 902, 183,
 D14/224, 229, 238, 324, 363, 452, 510;
 D20/10, 15, 40, 43-44; 40/765;
 248/444, 444.1; D8/363, 380; D18/4.1,
 D18/4.3-4.6, 11, 12.3; 348/150-151,
 348/160; 235/42, 381
 CPC A47G 1/141; A47G 1/0605; A47G 1/142;
 G09F 1/12; G09F 1/00; H04N 5/2252;
 G06Q 20/20; G06Q 20/202
 See application file for complete search history.

(56) **References Cited**

U.S. PATENT DOCUMENTS

D311,829 S * 11/1990 Vossoughi D6/513
 D323,323 S * 1/1992 Klaebel D14/452
 D337,173 S * 7/1993 Yamada D26/140
 D337,736 S 7/1993 Tolman et al.
 D380,144 S * 6/1997 Lew D8/380
 D391,148 S * 2/1998 Rosen D14/452
 D401,599 S * 11/1998 Stumpf D15/133
 D427,604 S * 7/2000 Rosen D14/447
 D491,574 S * 6/2004 Hung D14/452
 D494,183 S * 8/2004 Wills D14/452
 D507,477 S * 7/2005 Pfister D14/451
 D544,489 S * 6/2007 Oddsen, Jr. D14/452
 D559,662 S * 1/2008 Sculler D8/380
 7,389,965 B2 * 6/2008 Oddsen, Jr. F16M 11/10
 248/274.1
 D577,731 S * 9/2008 Altonji D14/452
 D594,010 S * 6/2009 Altonji D14/452
 D595,723 S 7/2009 Bures et al.
 D598,917 S * 8/2009 Luber D14/375
 D630,637 S * 1/2011 Saelid D14/452
 D631,052 S * 1/2011 Hung D14/452
 D651,199 S * 12/2011 Huang D14/239
 D655,297 S * 3/2012 Magnusson D14/452
 D655,532 S * 3/2012 Saelid D14/452
 D660,307 S * 5/2012 Huang D14/452
 D660,845 S * 5/2012 Schmauch D14/452
 D670,554 S * 11/2012 Bowman D8/363
 D729,815 S * 5/2015 Anderson D14/452
 D735,342 S * 7/2015 Asad D24/185
 D742,206 S * 11/2015 Bowman D8/363
 D745,873 S * 12/2015 Xiang D14/452
 D747,179 S * 1/2016 Xiang D8/363
 D751,566 S * 3/2016 Anderson D14/452
 9,700,711 B2 7/2017 Grant et al.
 D796,519 S * 9/2017 Hung D14/452
 D815,643 S * 4/2018 Bowman D14/452
 D822,671 S * 7/2018 Chu D14/452
 D830,371 S * 10/2018 Lau D14/452
 D834,030 S * 11/2018 Lindo D14/452
 D843,379 S * 3/2019 Lindo D14/452
 D843,380 S * 3/2019 Lindo D14/452

D845,963 S * 4/2019 Lindo D14/452
 D847,823 S * 5/2019 Monsalve D14/452
 D849,013 S * 5/2019 Monsalve D14/452
 D849,727 S * 5/2019 van Til D14/239
 10,323,791 B1 * 6/2019 Liu F16B 2/065
 D875,105 S * 2/2020 Xiang D14/452
 D877,744 S * 3/2020 Xiang D14/452
 D879,792 S * 3/2020 Glickstein D14/452
 D879,793 S * 3/2020 Glickstein D14/452
 D880,377 S * 4/2020 Spencer D12/162
 D883,298 S * 5/2020 Wakasugi D14/452
 10,767,809 B2 * 9/2020 Lau F16M 13/022
 D918,218 S * 5/2021 Lyu D14/452
 D919,631 S * 5/2021 Shu D14/452
 D921,645 S * 6/2021 Shu D14/452
 2012/0267497 A1 * 10/2012 Bowman F16M 11/2014
 248/280.11
 2014/0367137 A1 * 12/2014 Leung F16M 11/2014
 174/68.3
 2016/0352054 A1 * 12/2016 Xiang F16M 11/2007
 2018/0112820 A1 * 4/2018 Lau F16M 13/02

FOREIGN PATENT DOCUMENTS

CN 304345179 * 11/2017
 DE 4318669 A1 12/1994
 EM 006564969-0001 * 7/2019
 EM 006564969-0002 * 7/2019
 EP 1312852 A2 5/2003
 JP 03193302 U 9/2014
 JP 2017150498 A 8/2017
 JP D1656316 * 3/2020
 JP D1656362 * 3/2020

OTHER PUBLICATIONS

Dual-Swivel Monitor Arm, 3M, amazon.com, published by 3M on Aug. 10, 2012 © 1996-2020 Amazon.com, Inc., online, site visited Jun. 16, 2020. Available at URL: <https://www.amazon.com/3M-Monitor-Holding-Monitors-MA140MB/dp/B009NSJ8J4> (Year: 2012).*

Full Motion Adjustable Arm, AVLT, amazon.com, published by AVLT on Aug. 5, 2016 © 1996-2020 Amazon.com, Inc., online, site visited Jun. 16, 2020. Available at URL: https://www.amazon.com/AVLT-Power-Premium-Quality-Aluminum-Mounting/dp/B01JH2NDW8/ref=as_li_ss_tl?s=office-products&i... (Year: 2016).*

Poise Dual LCD Monitor Arm, Workrite, thehumansolution.com, author unlisted, published on Apr. 12, 2012 © 2003-2020 SquareGrove LLC, online, site visited Aug. 11, 2020. Available at URL: <https://www.thehumansolution.com/workrite-poise-dual-LCD-monitor-arm.html> (Year: 2012).*

International Search Report with Written Opinion for related Application No. PCT/EP2018/084236 dated Aug. 21, 2019 (12 Pages). U.S. Office Action for related U.S. Appl. No. 29/727,333 dated Jun. 26, 2020 (12 pages including form 892).

* cited by examiner

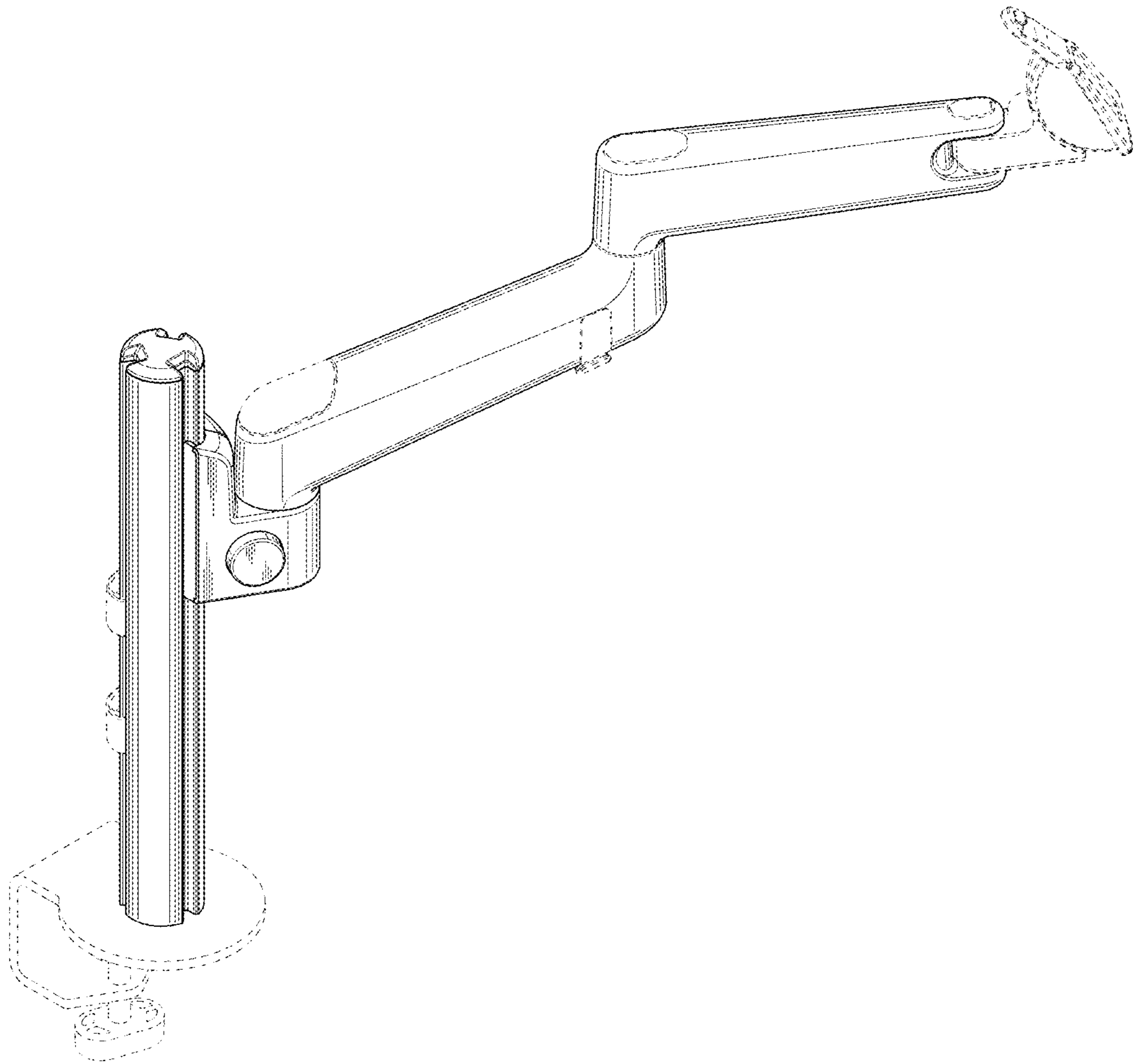


FIG. 1

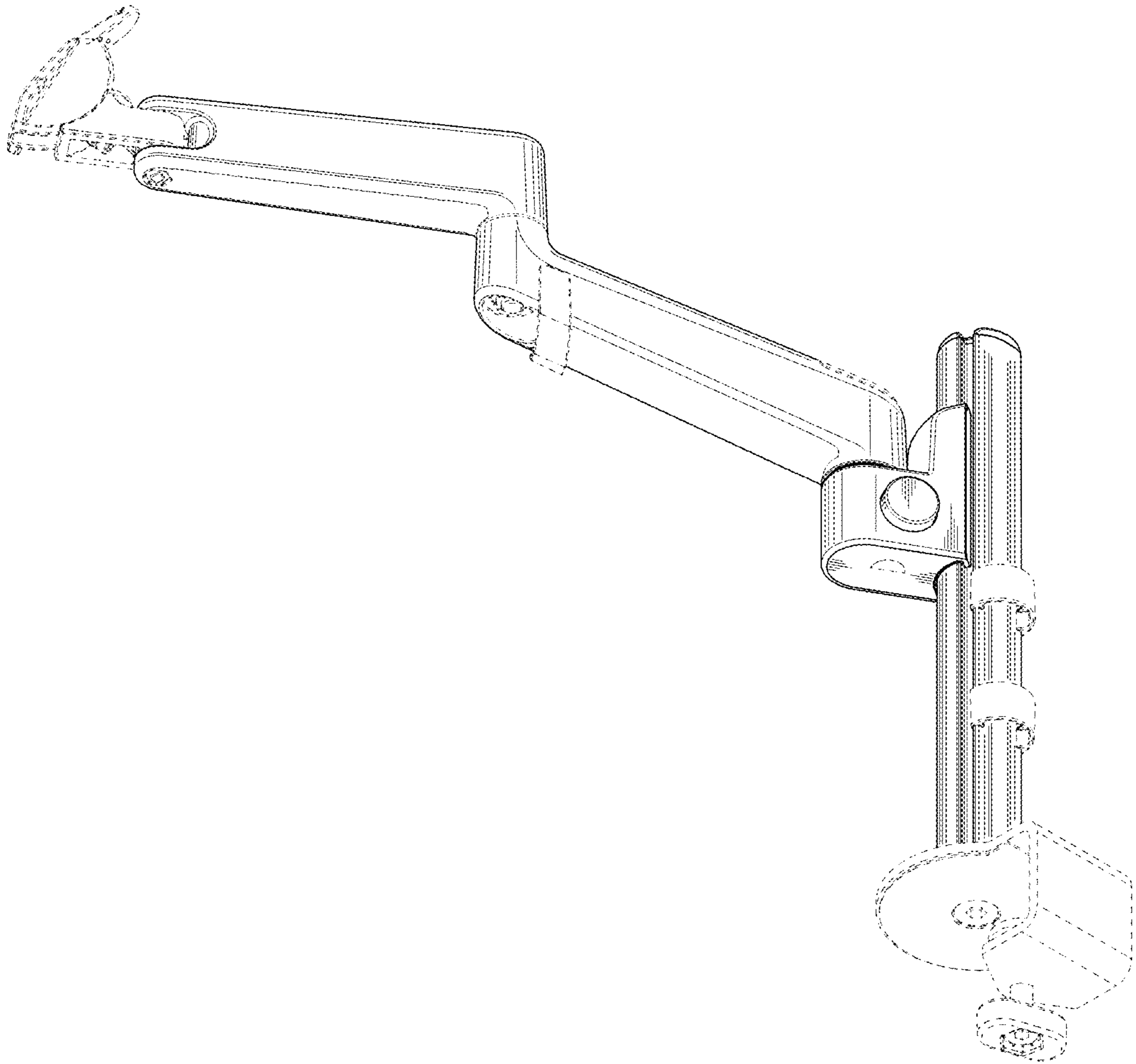


FIG. 2

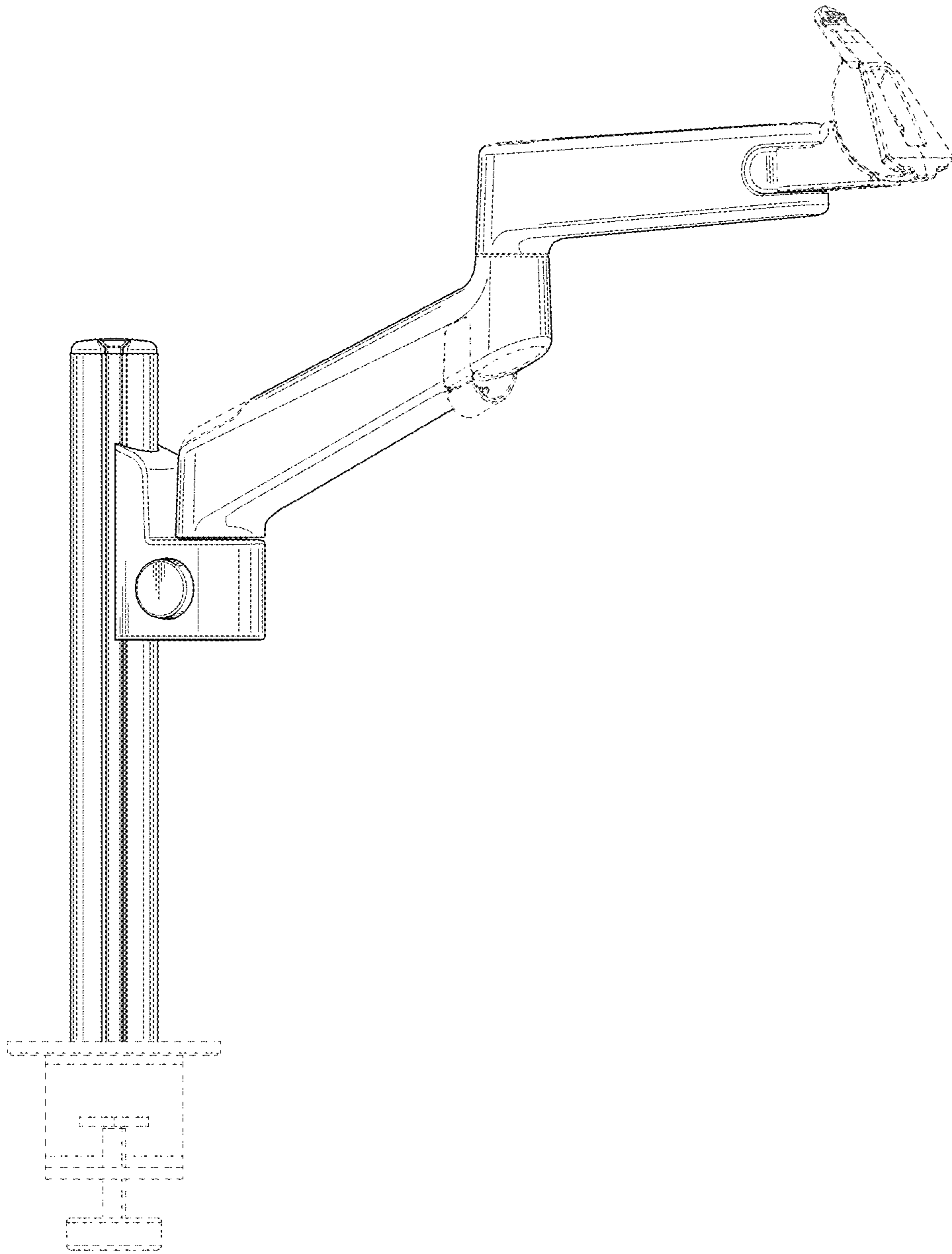


FIG. 3

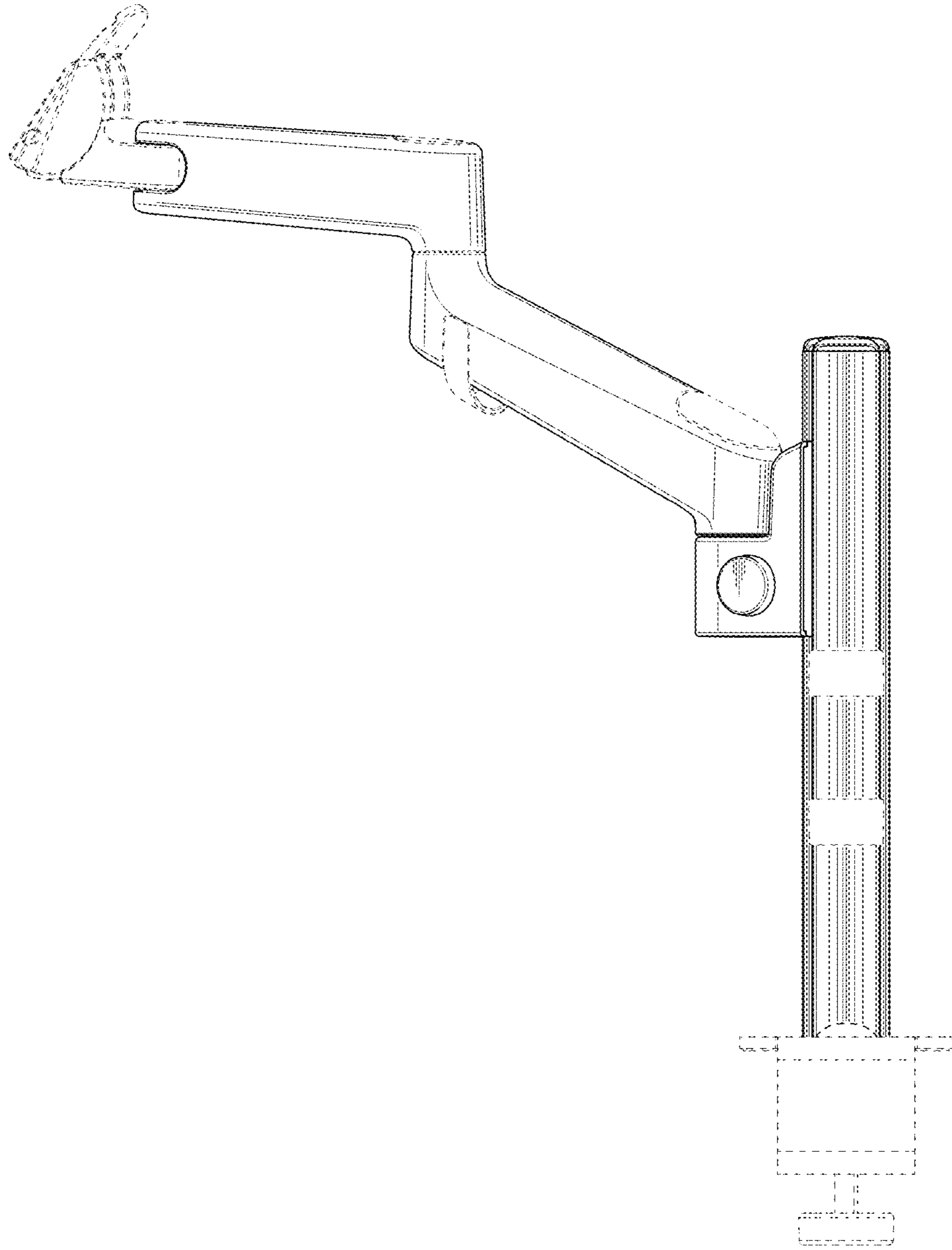


FIG. 4

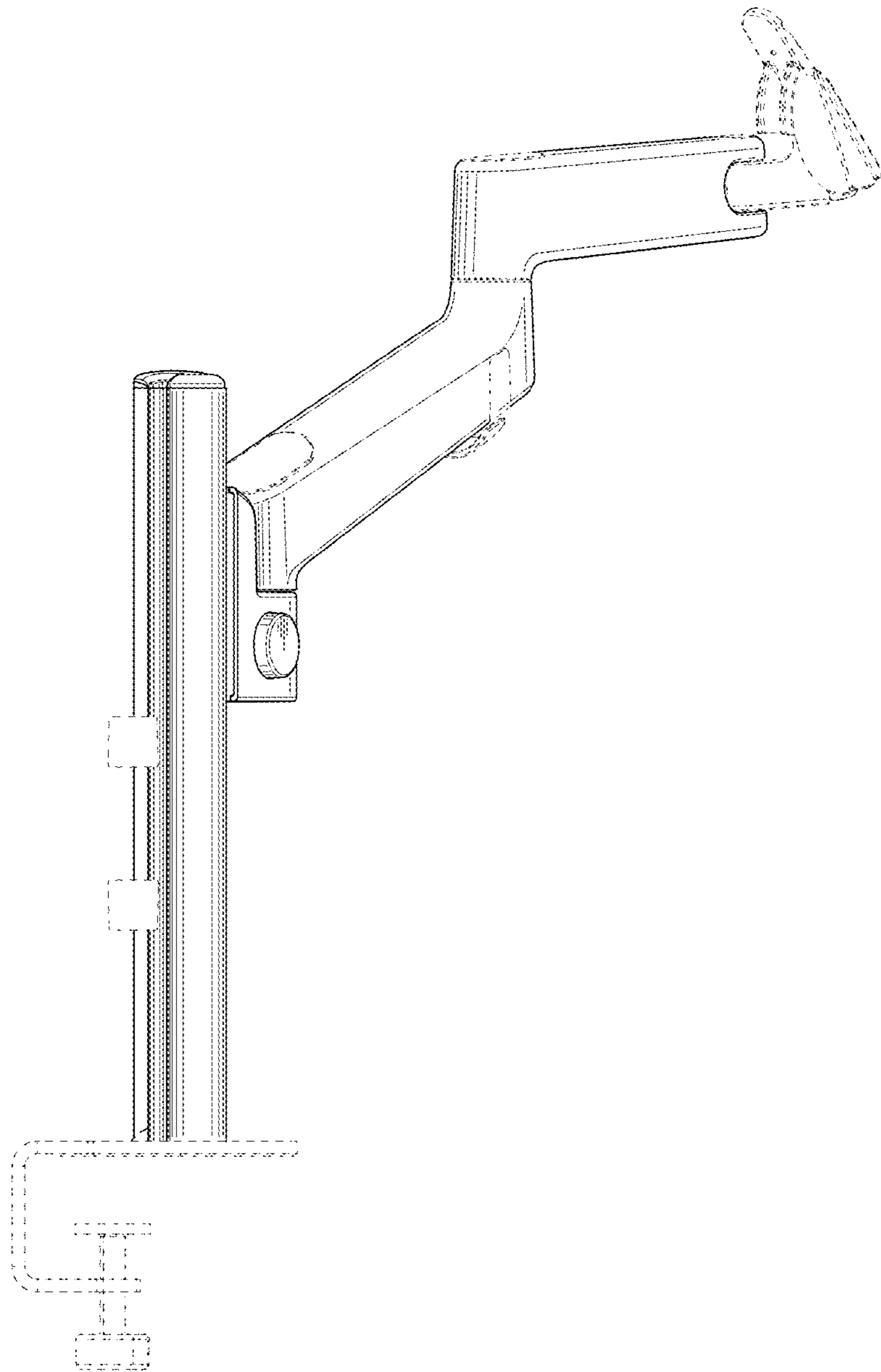


FIG. 5

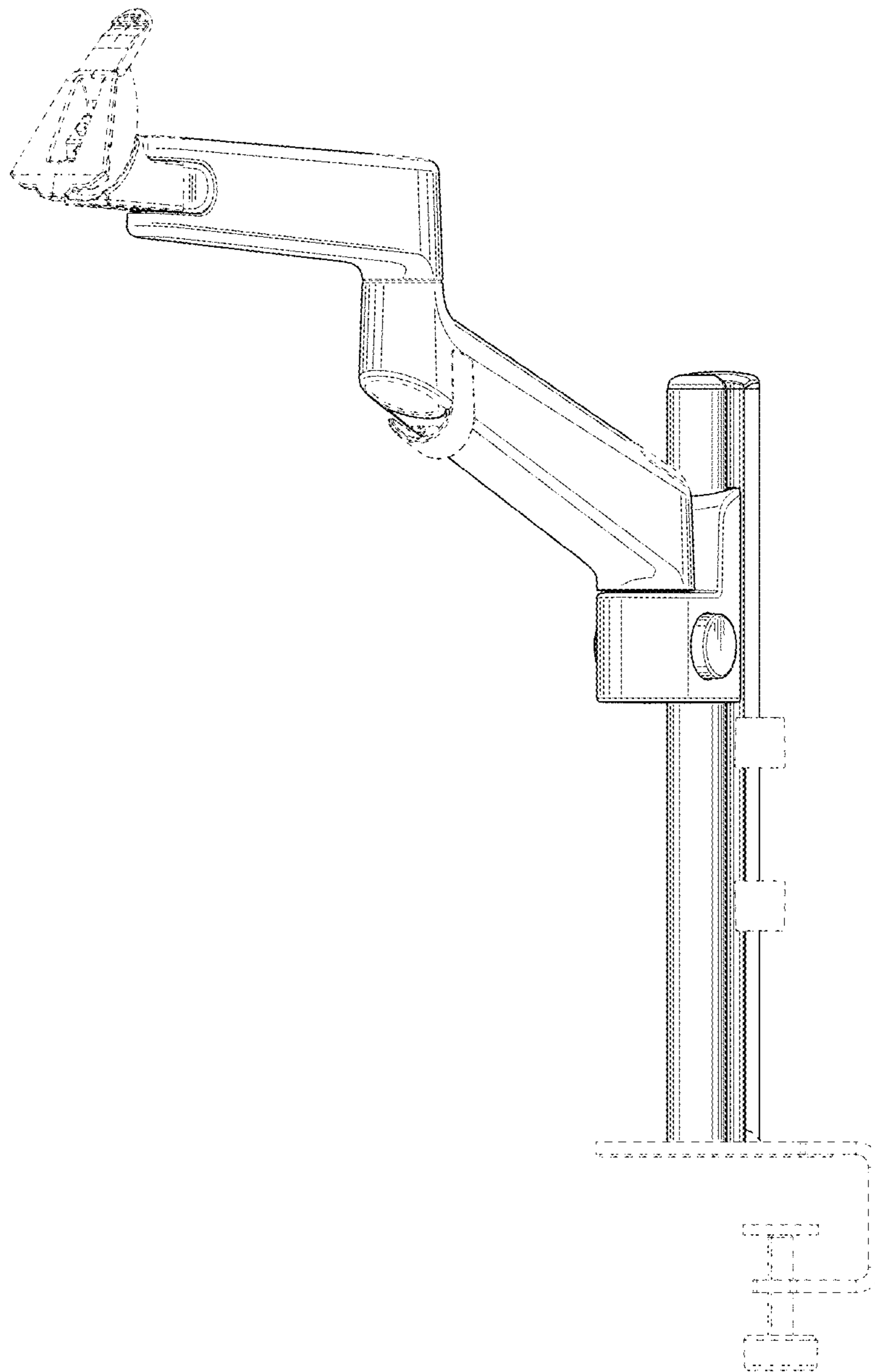


FIG. 6

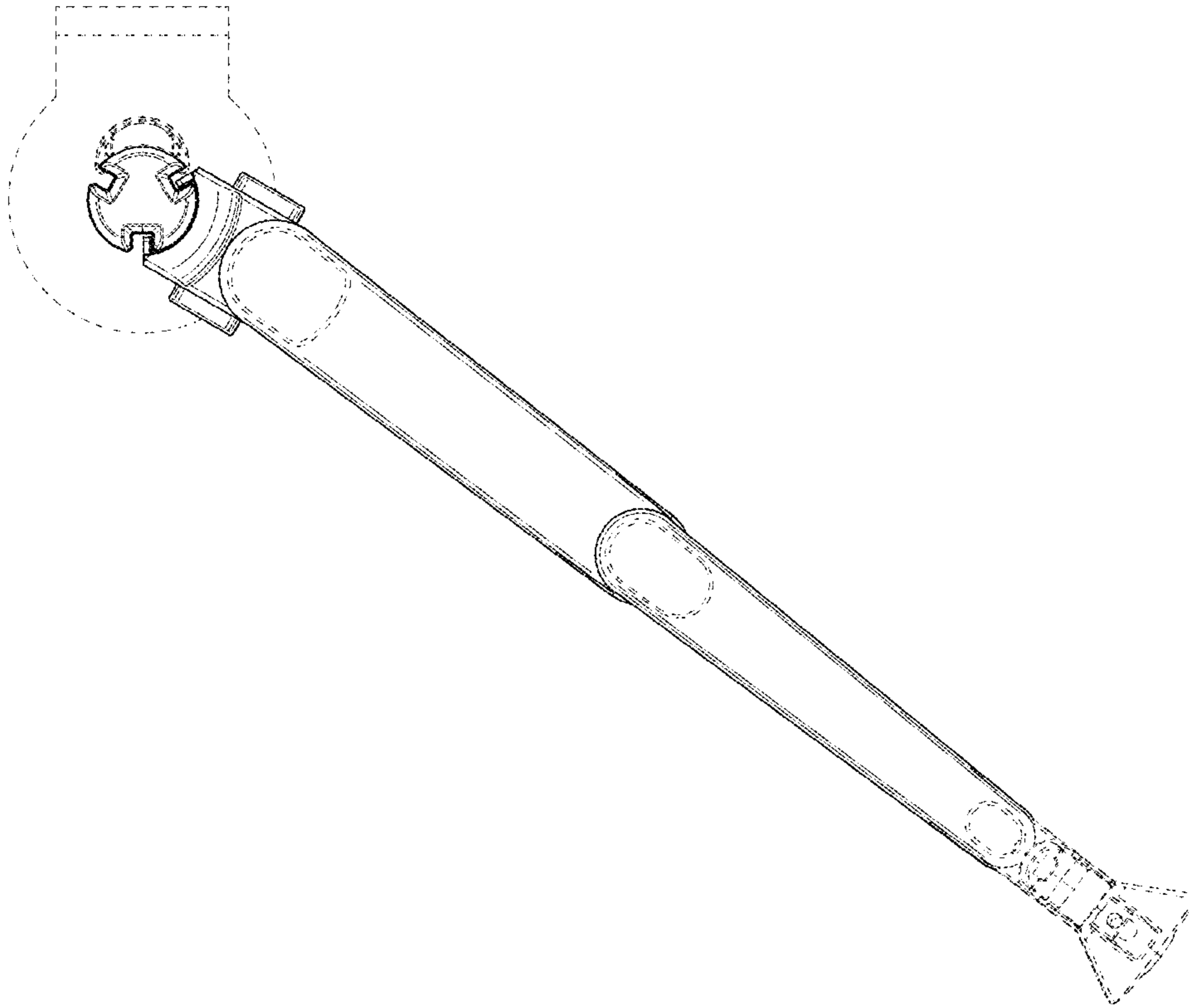


FIG. 7

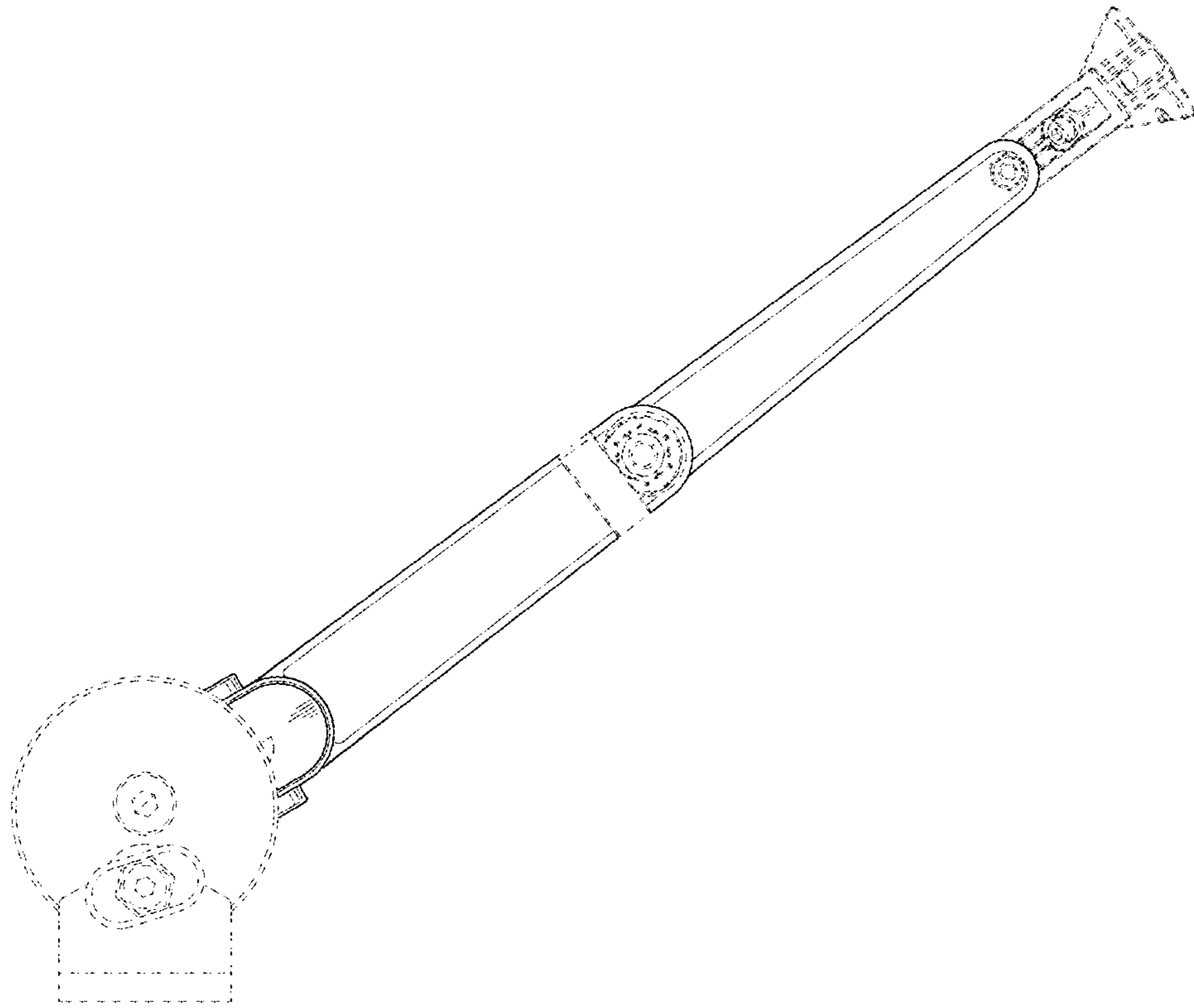


FIG. 8

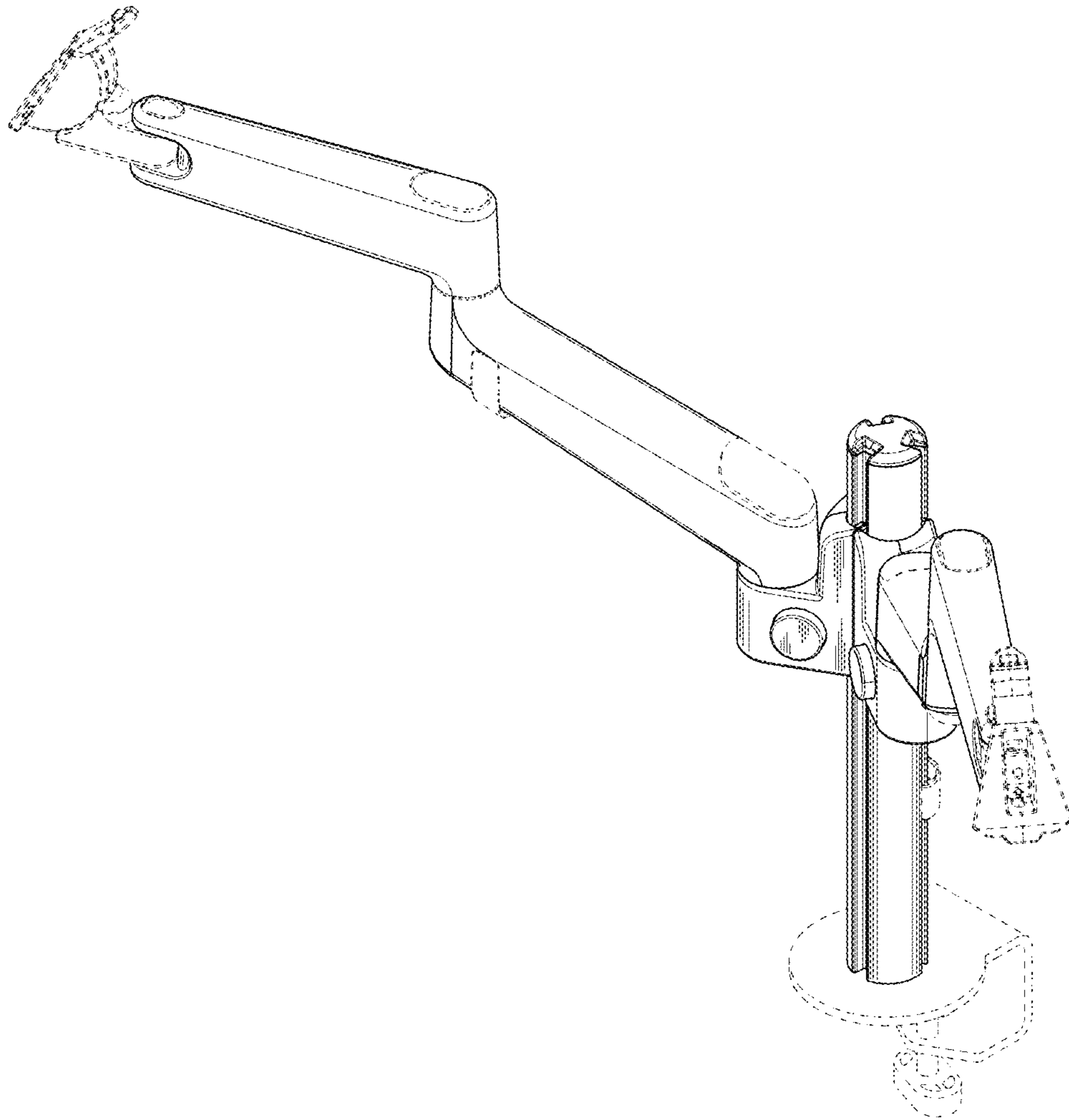


FIG. 9

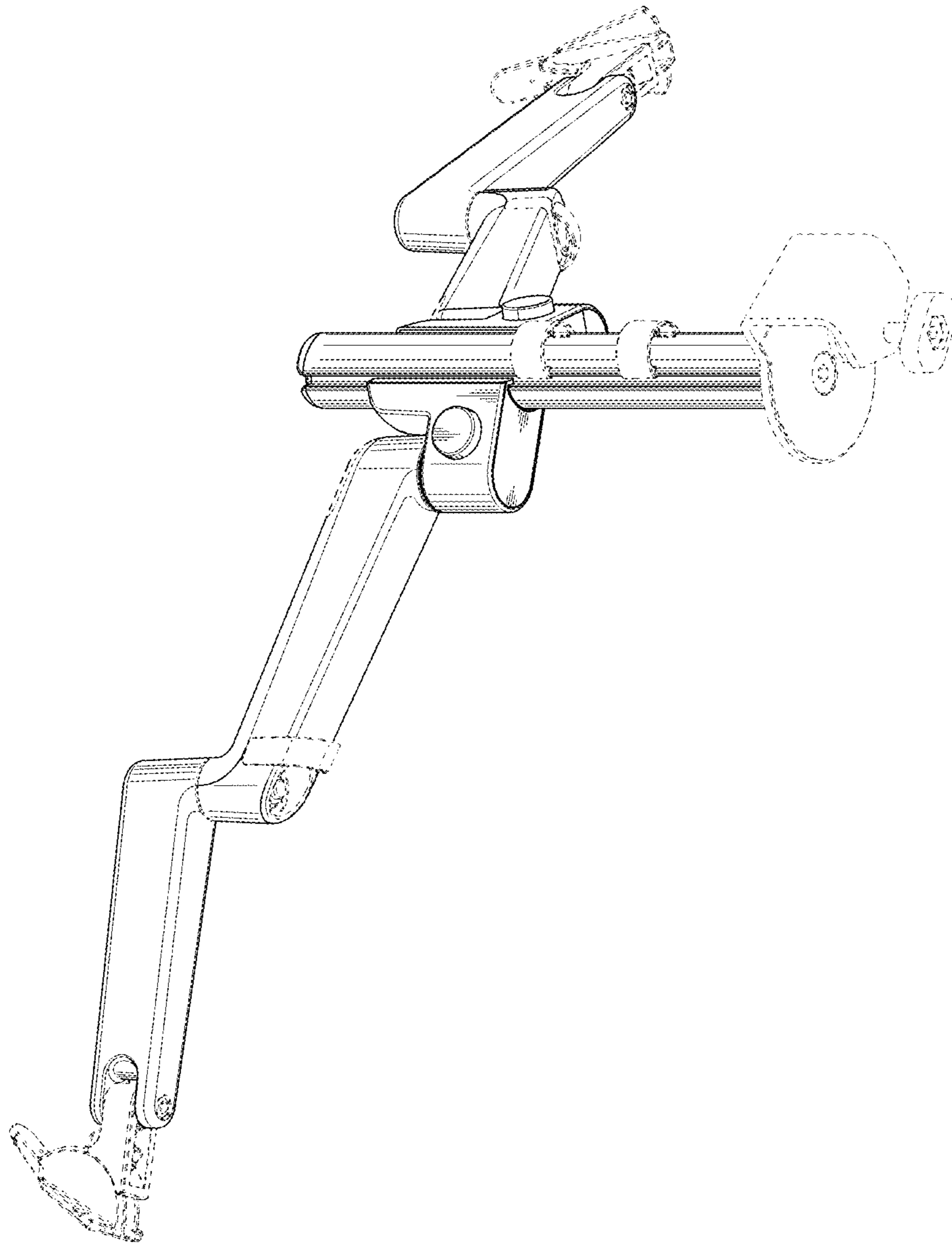


FIG. 10

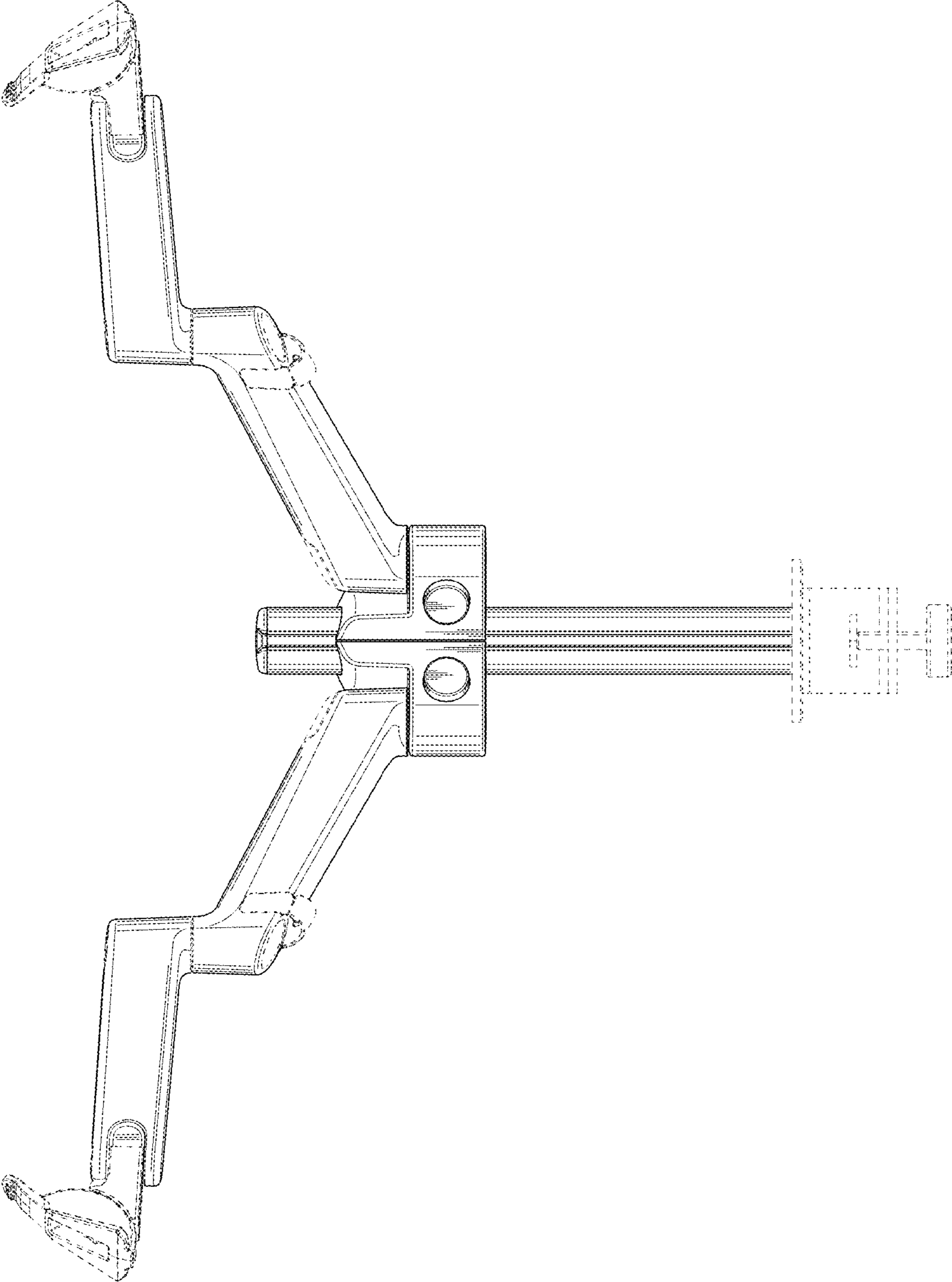


FIG. 11

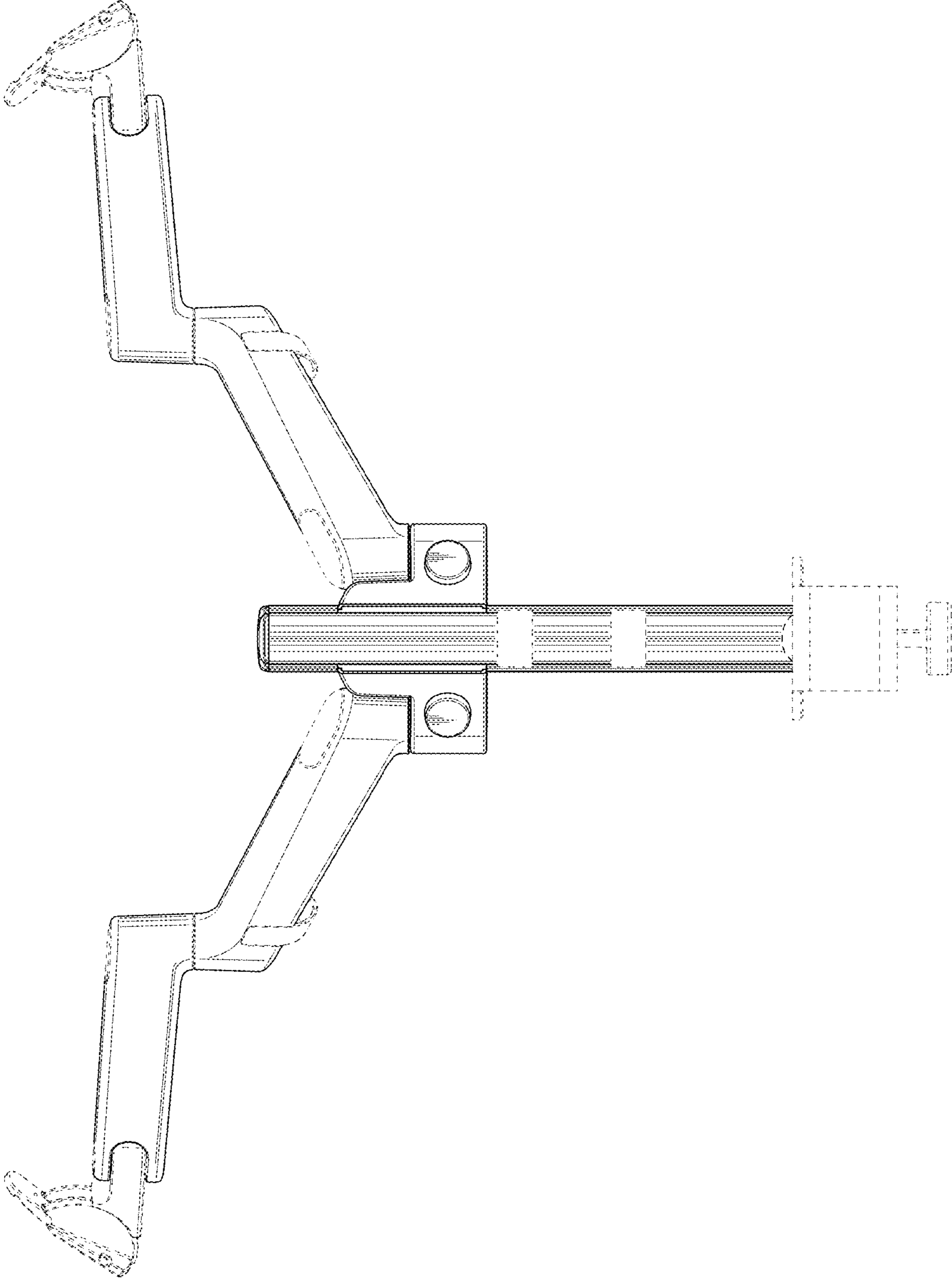


FIG. 12

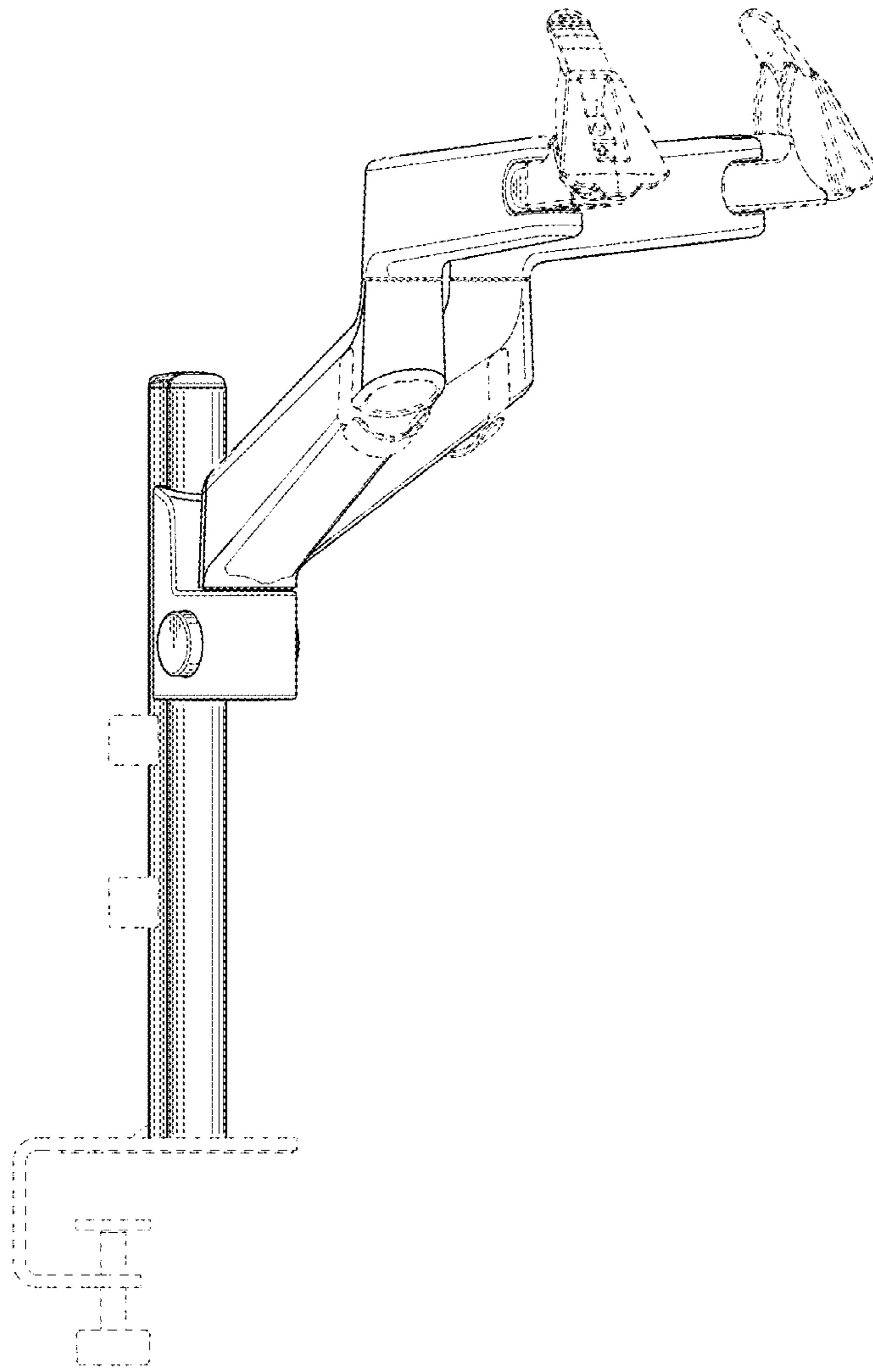


FIG. 13

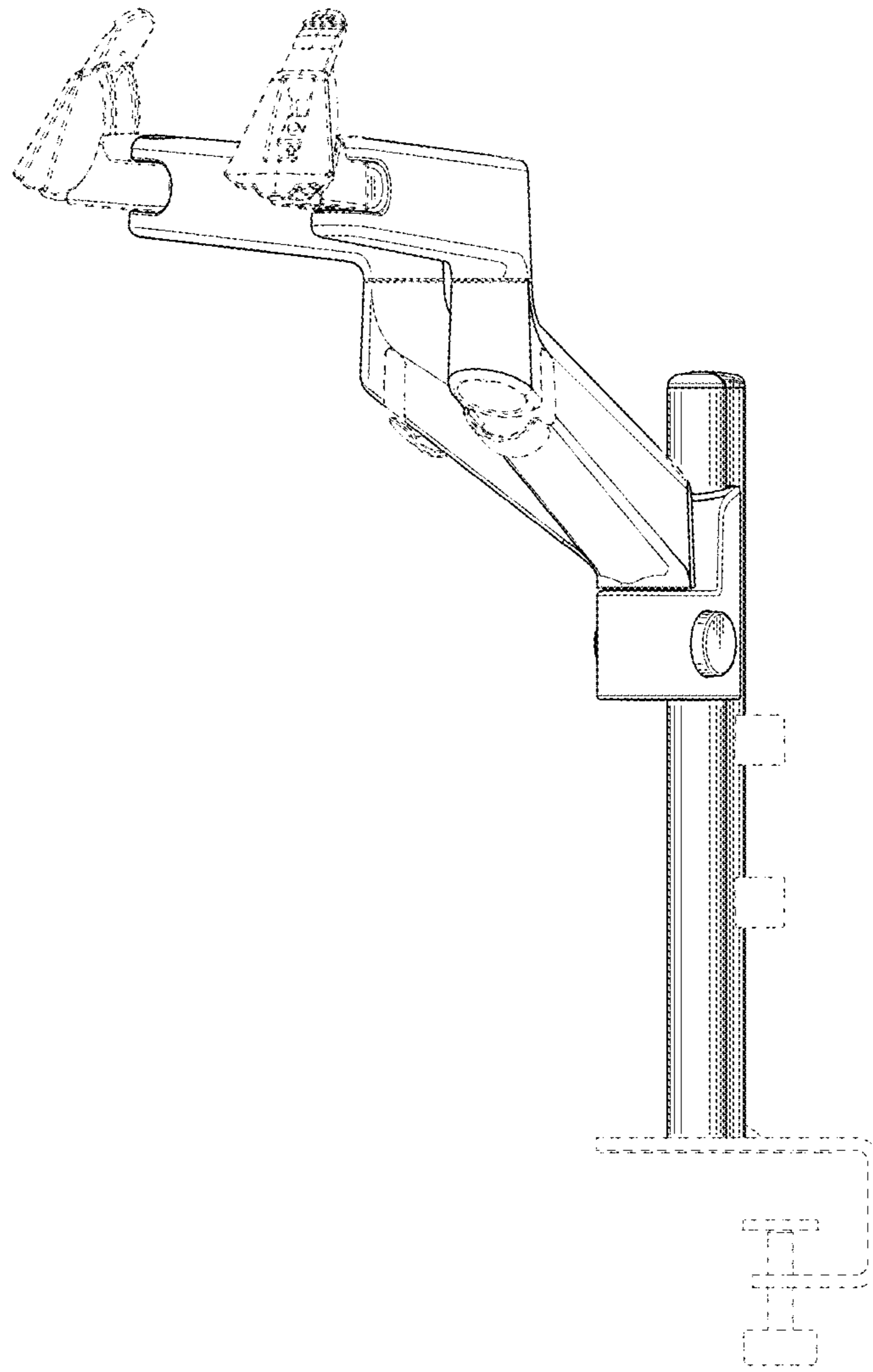


FIG. 14

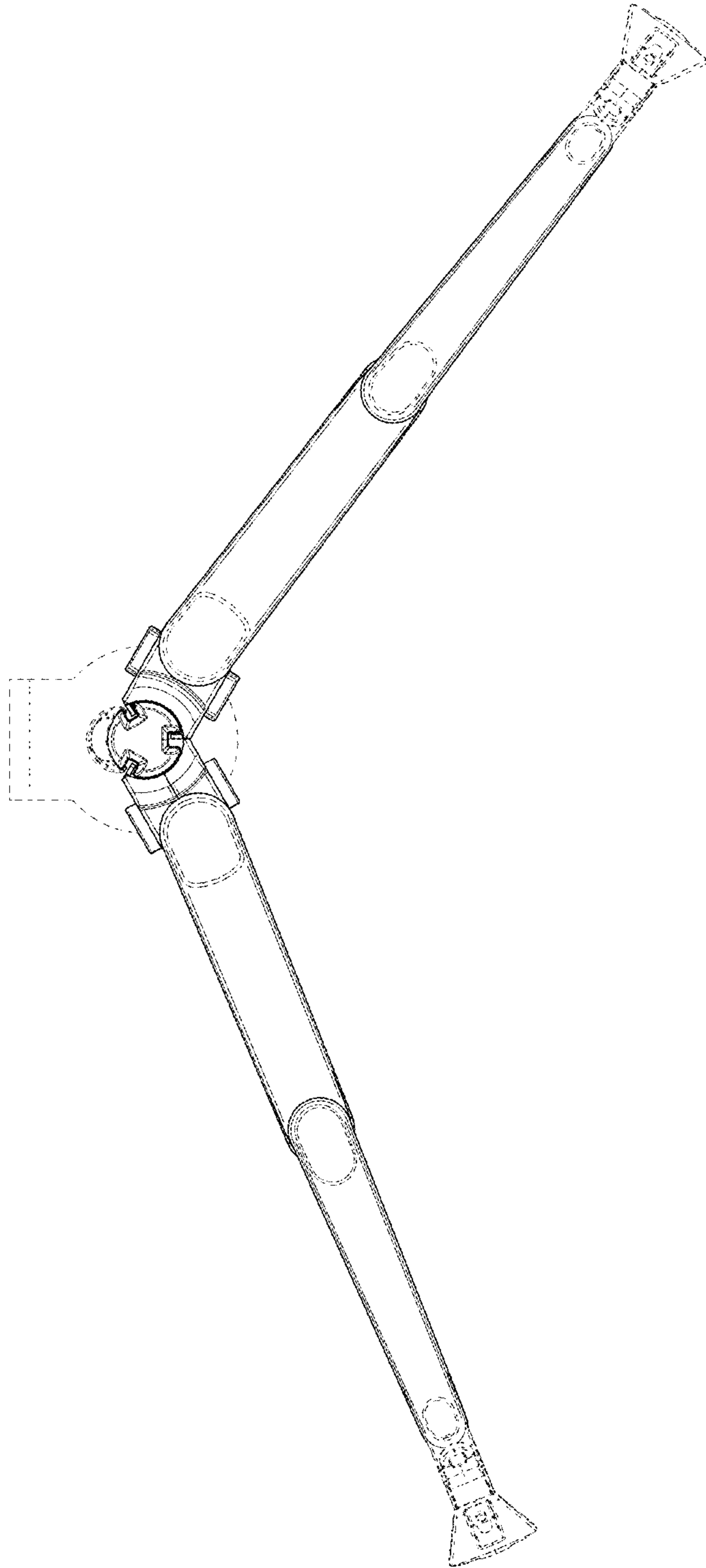


FIG. 15

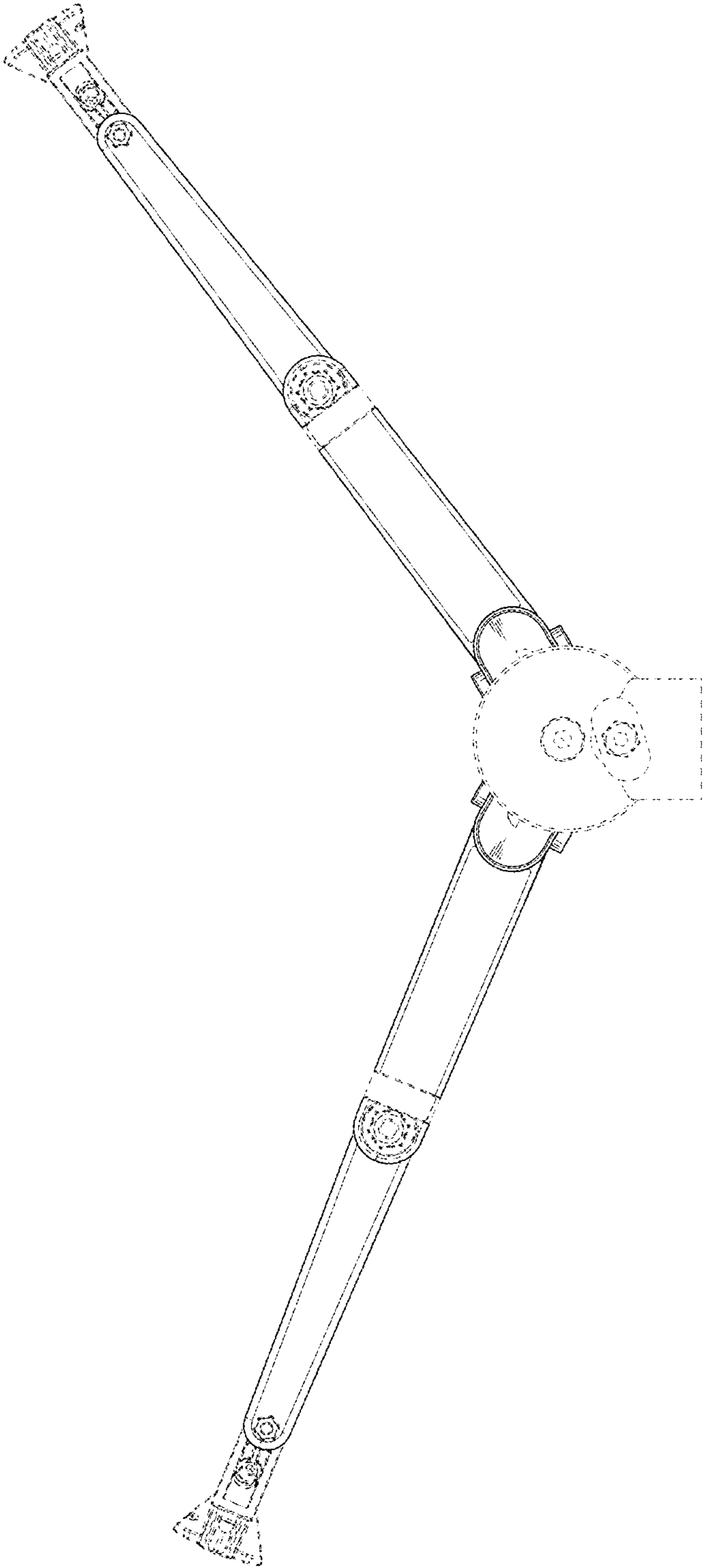


FIG. 16