



US00D935457S

(12) **United States Design Patent** (10) **Patent No.:** **US D935,457 S**  
**Ryu et al.** (45) **Date of Patent:** **\*\* Nov. 9, 2021**

(54) **COMPUTER MONITOR** D786,868 S \* 5/2017 Kim ..... D14/374  
D791,130 S \* 7/2017 Oh ..... D14/374  
(71) Applicant: **LG ELECTRONICS INC.**, Seoul D791,131 S \* 7/2017 Oh ..... D14/374  
(KR) D797,736 S \* 9/2017 Chu ..... D14/374  
(72) Inventors: **Daihyung Ryu**, Seoul (KR); **Yongsoo** D828,837 S \* 9/2018 Kim ..... D14/374  
**Kim**, Seoul (KR) D835,593 S \* 12/2018 Shin ..... D14/126  
D836,584 S \* 12/2018 Kim ..... D14/126  
(73) Assignee: **LG ELECTRONICS INC.**, Seoul D871,406 S \* 12/2019 Kim ..... D14/374  
(KR) D900,818 S \* 11/2020 Kim ..... D14/374

(\*\*) Term: **15 Years**  
(21) Appl. No.: **35/509,844**  
(22) Filed: **Jan. 22, 2020**

(80) **Hague Agreement Data**  
Int. Filing Date: **Jan. 22, 2020**  
Int. Reg. No.: **DM/206024**  
Int. Reg. Date: **Jan. 22, 2020**  
Int. Reg. Pub. Date: **Jul. 24, 2020**

(30) **Foreign Application Priority Data**  
Aug. 23, 2019 (KR) ..... 30-2019-0040433  
(51) **LOC (13) Cl.** ..... **14-02**  
(52) **U.S. Cl.**  
USPC ..... **D14/374**  
(58) **Field of Classification Search**  
USPC ..... D6/300, 308, 310, 642, 643, 650.1,  
D6/653.15, 654.15, 657, 661, 675;  
D14/125-129, 132, 239, 336, 341,  
D14/373-377, 451  
CPC ..... G06F 1/1601; G06F 1/1605; G06F 1/162  
See application file for complete search history.

(56) **References Cited**  
**U.S. PATENT DOCUMENTS**  
D751,075 S \* 3/2016 Ho ..... D14/374  
D784,984 S \* 4/2017 Lim ..... D14/374

**OTHER PUBLICATIONS**

Philips 276E8VJSB review, publication date Apr. 19, 2019, [online]  
URL: <https://pcmonitors.info/reviews/philips-276e8vjsb/> (Year: 2019).\*

\* cited by examiner

*Primary Examiner* — L. A. Grabenstetter  
(74) *Attorney, Agent, or Firm* — Birch, Stewart, Kolasch  
& Birch, LLP

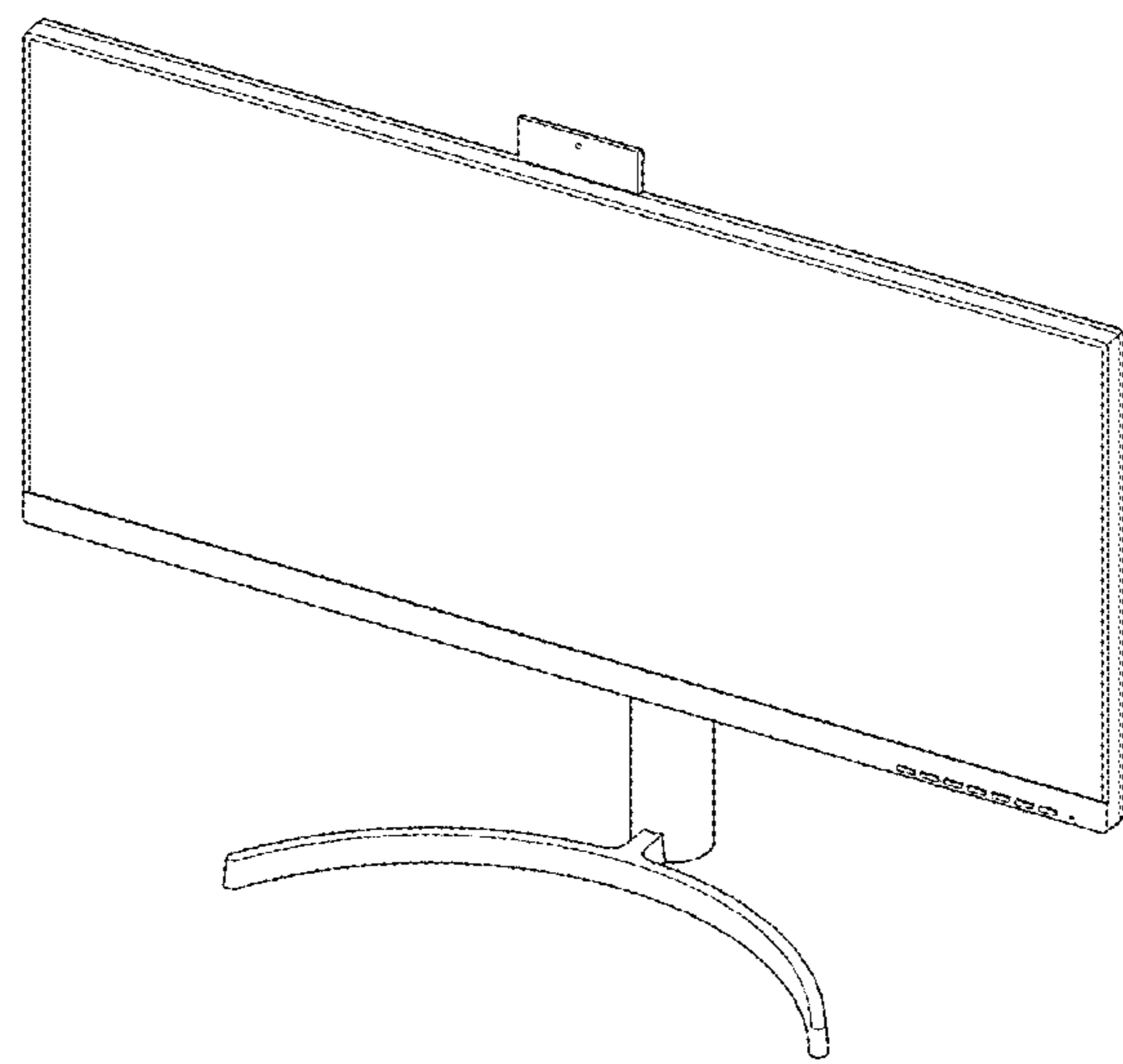
(57) **CLAIM**

The ornamental design for a computer monitor, as shown  
and described.

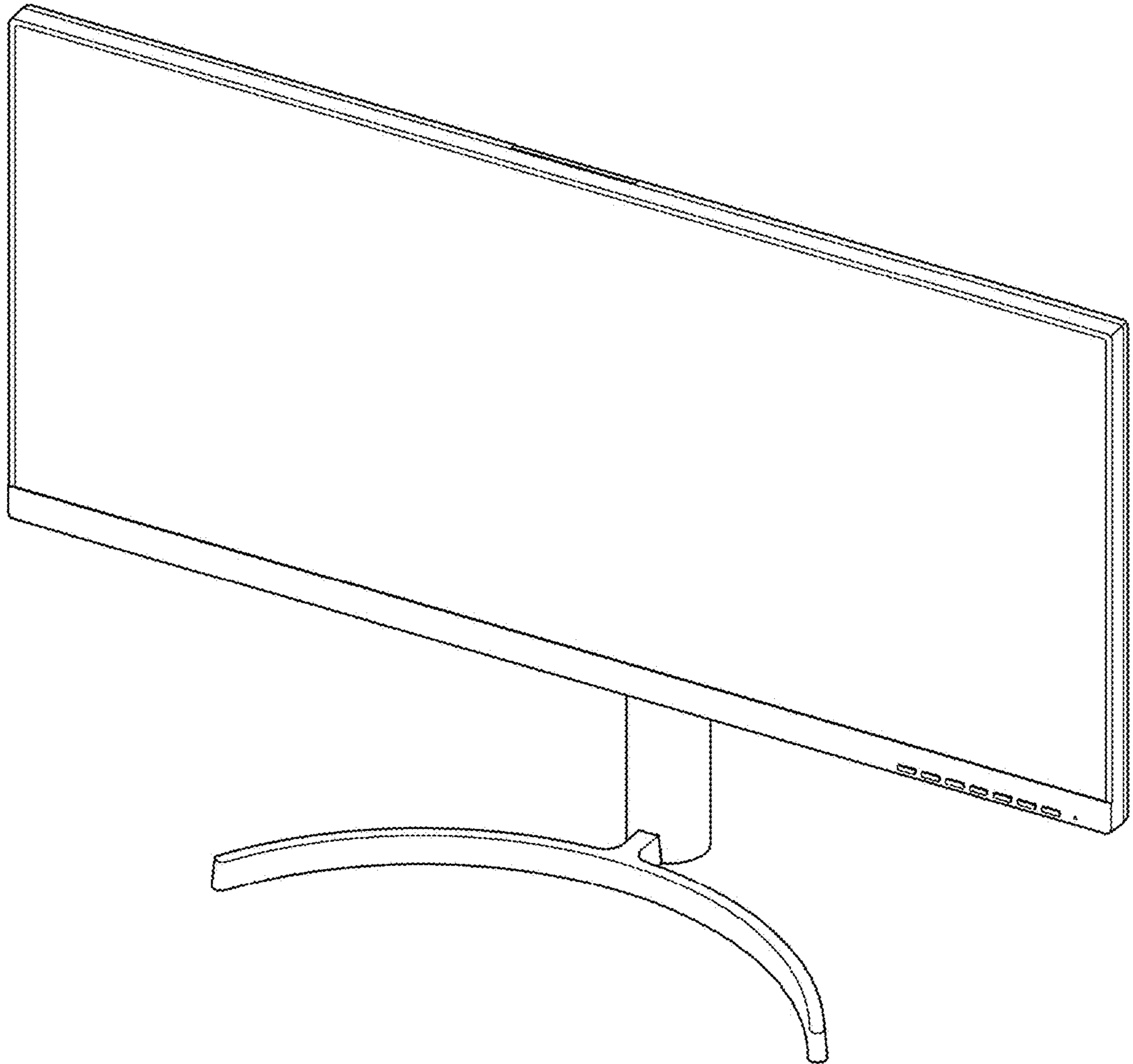
**DESCRIPTION**

1. Computer monitor  
**1.1** : Front perspective view  
**1.2** : Rear perspective view  
**1.3** : Front view  
**1.4** : Rear view  
**1.5** : Left view  
**1.6** : Right view  
**1.7** : Top view  
**1.8** : Bottom view  
**1.9** : Second front perspective view, shown in an alternate  
configuration  
The parts shown by means of broken lines in the figures are  
not part of the claimed design.

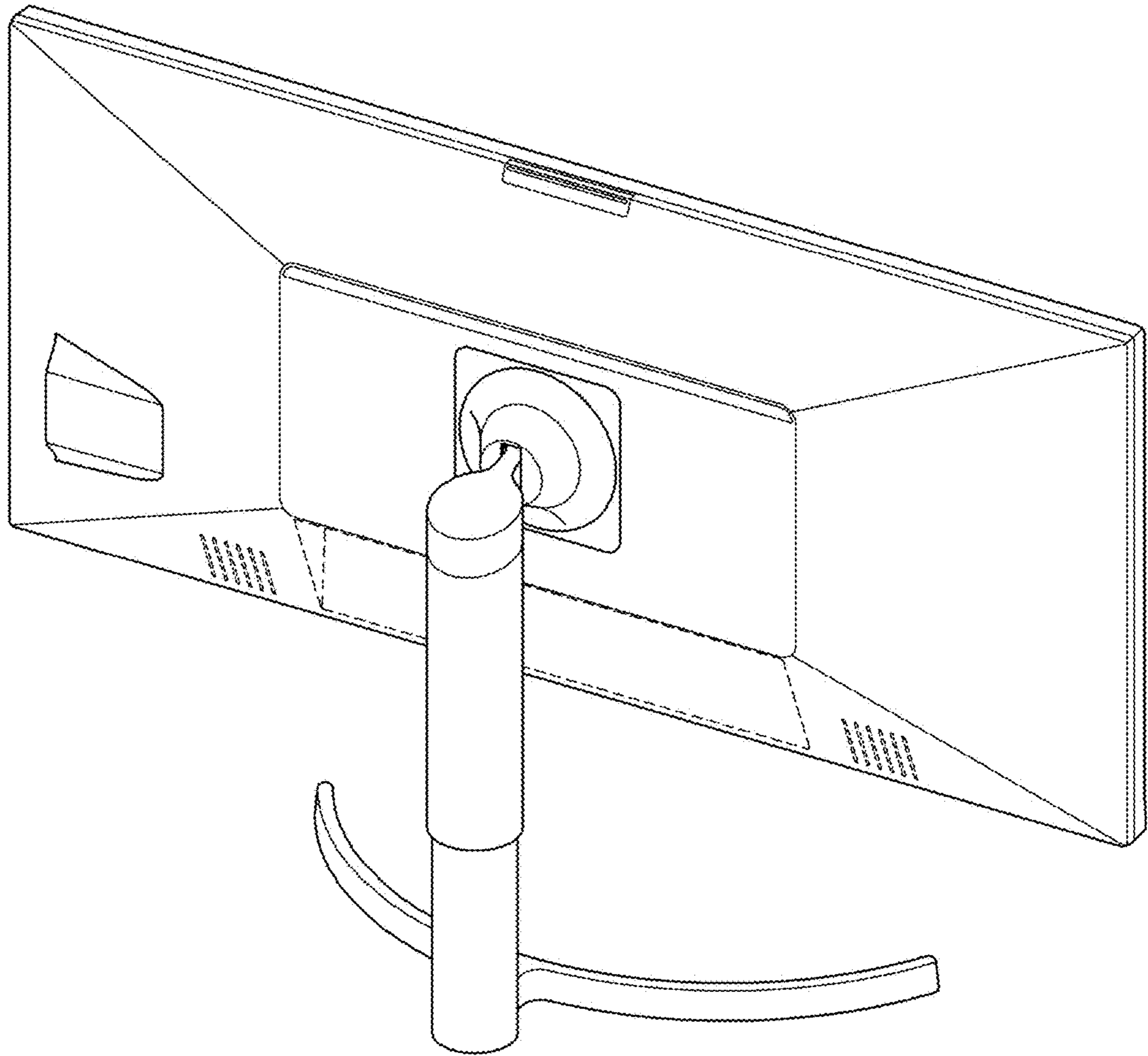
**1 Claim, 9 Drawing Sheets**



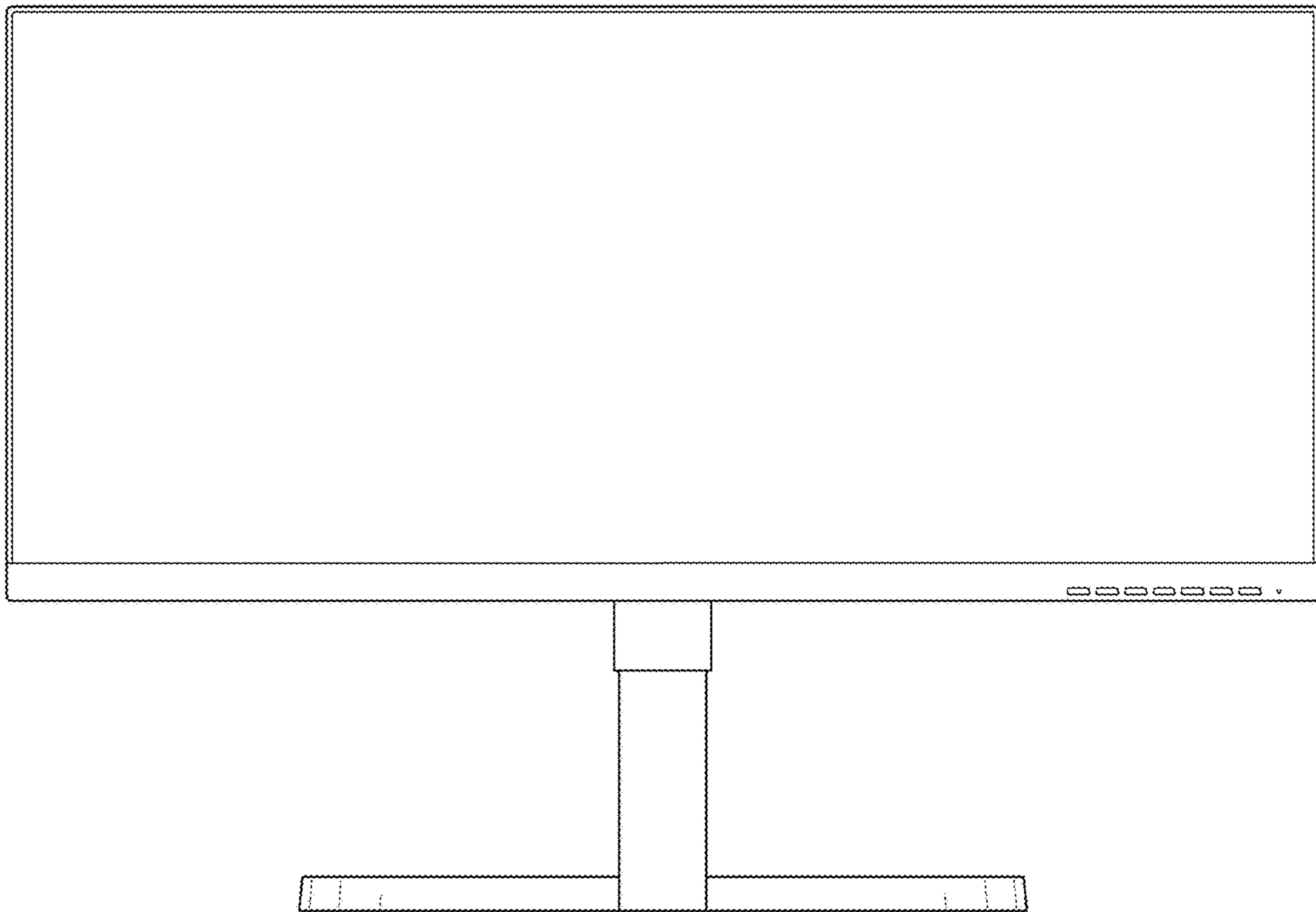
1.1



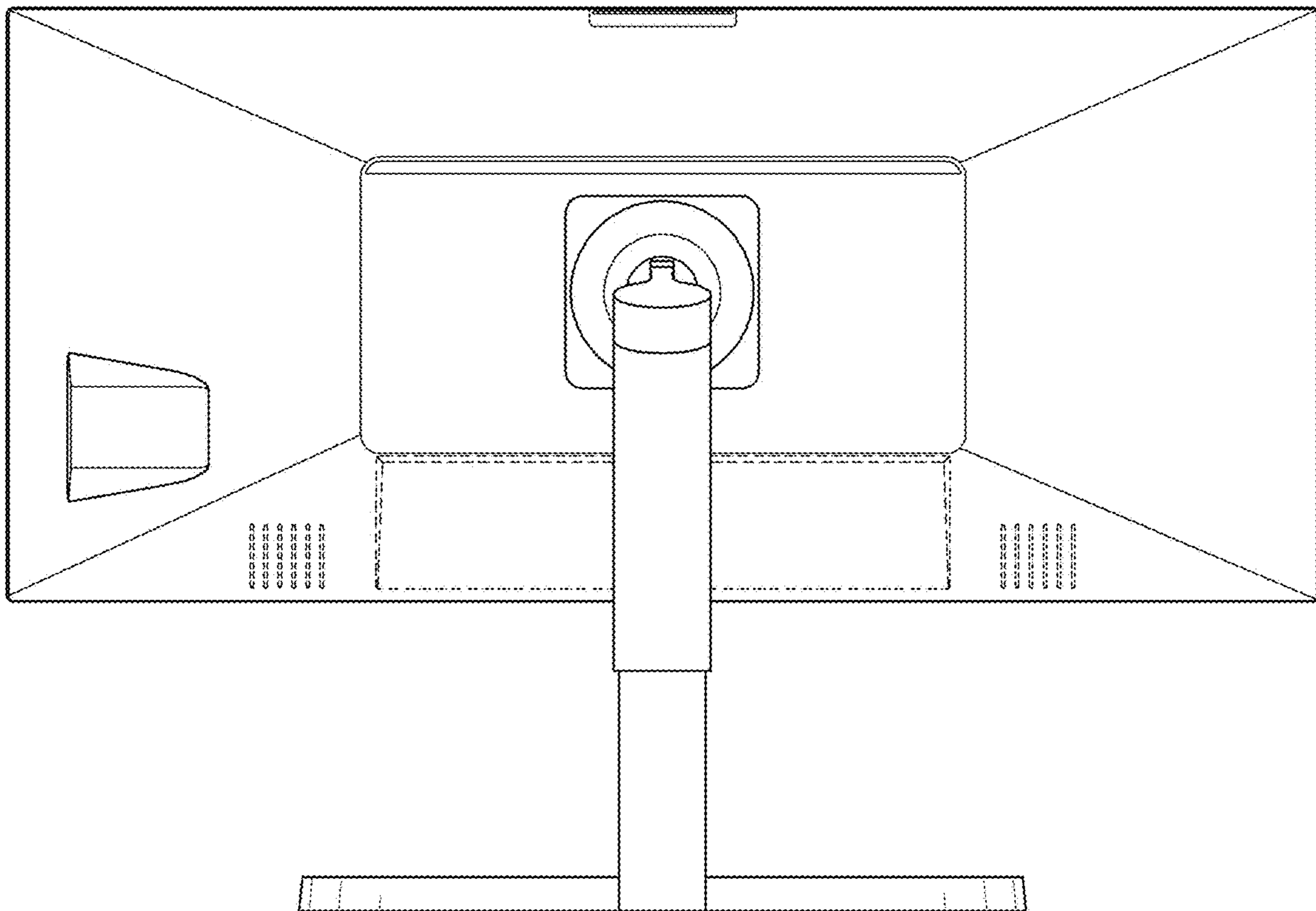
1.2



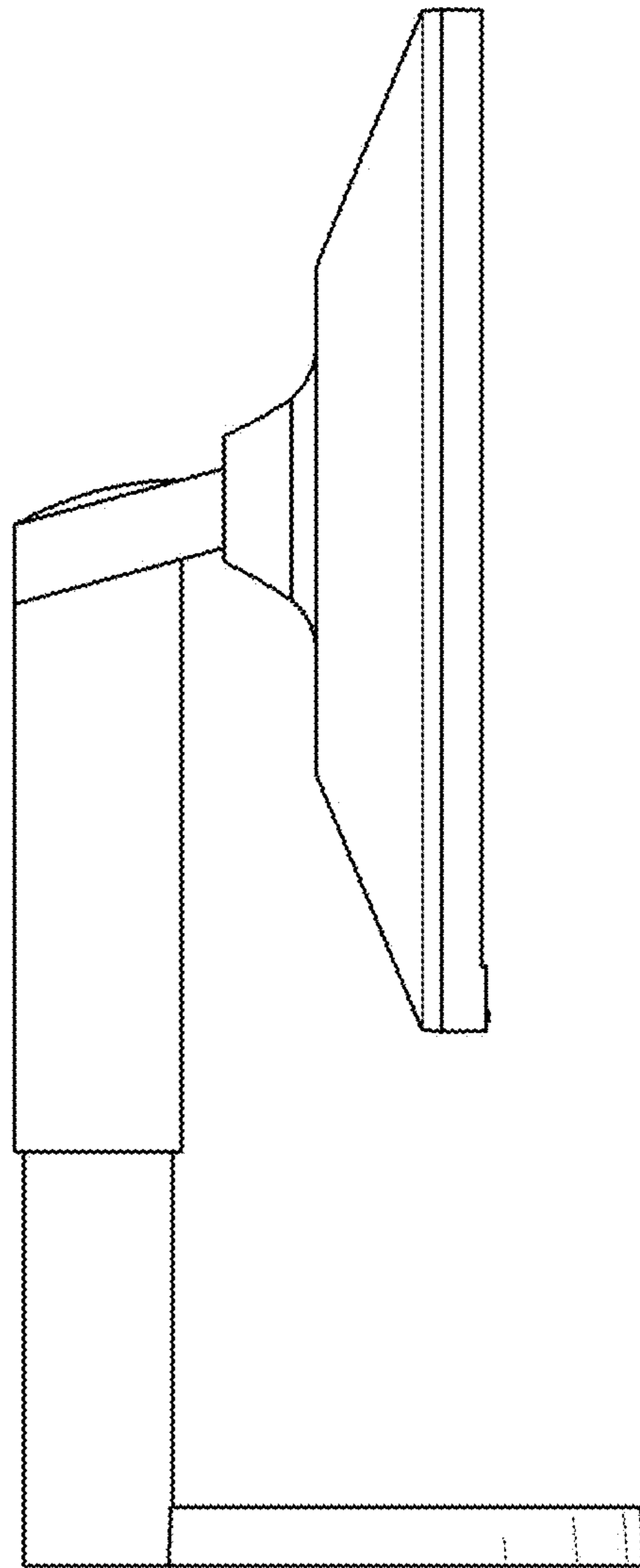
1.3



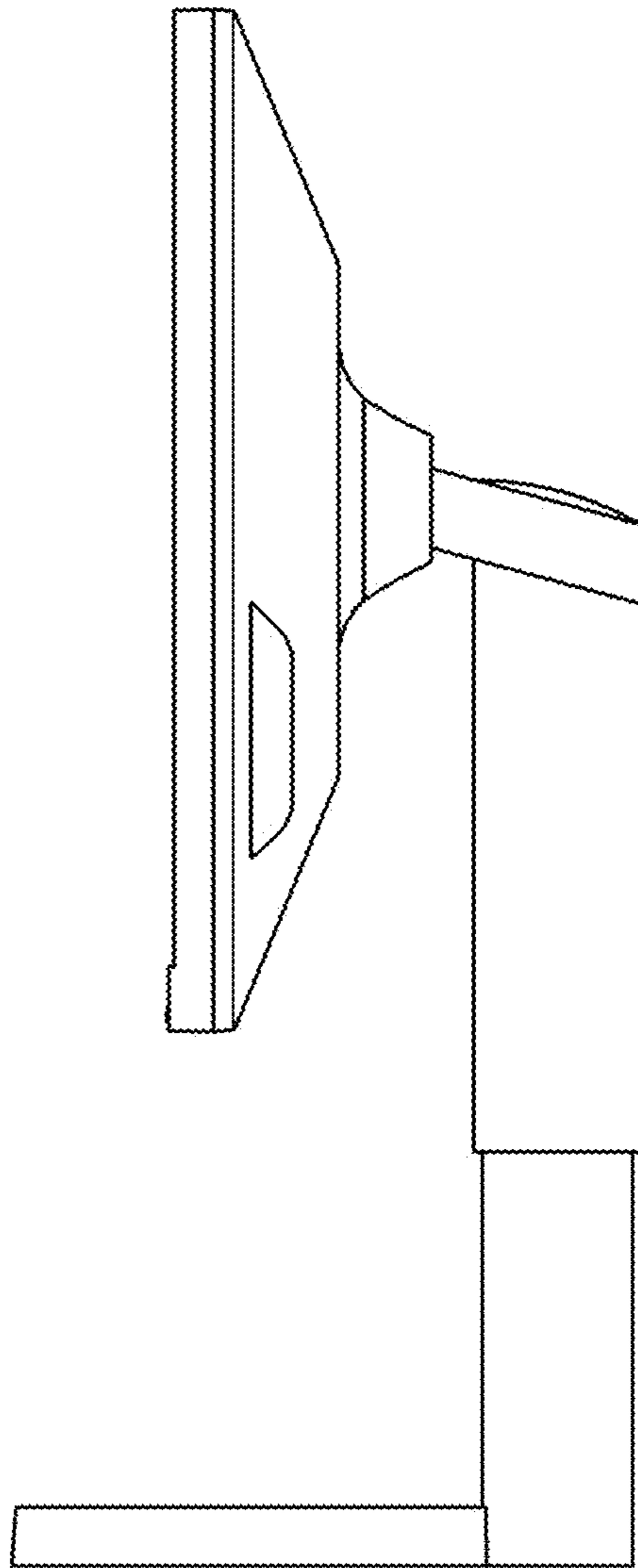
1.4



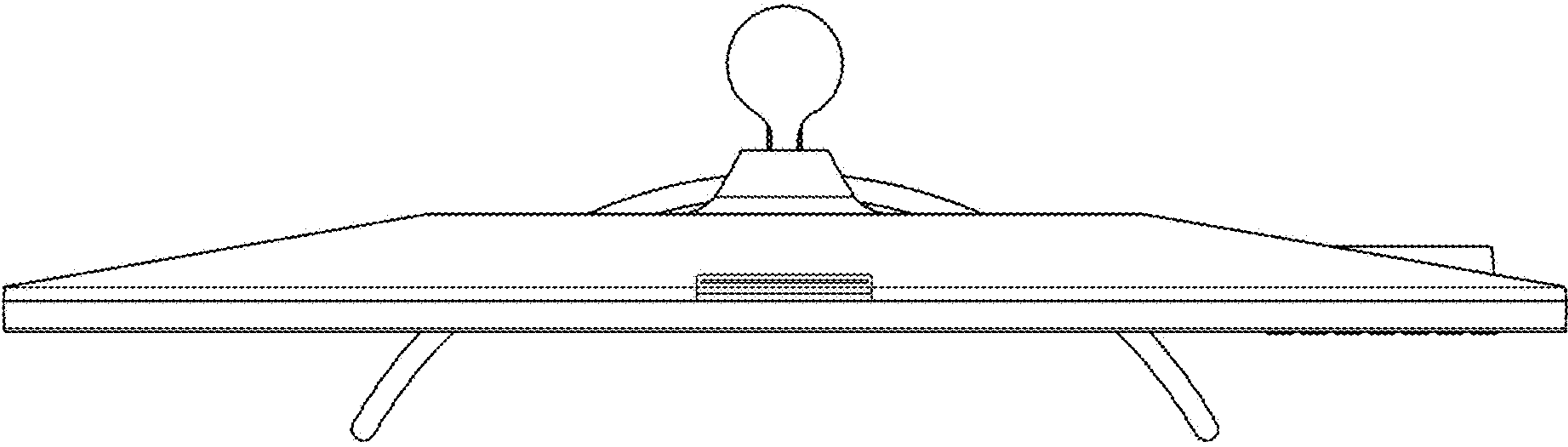
1.5



1.6

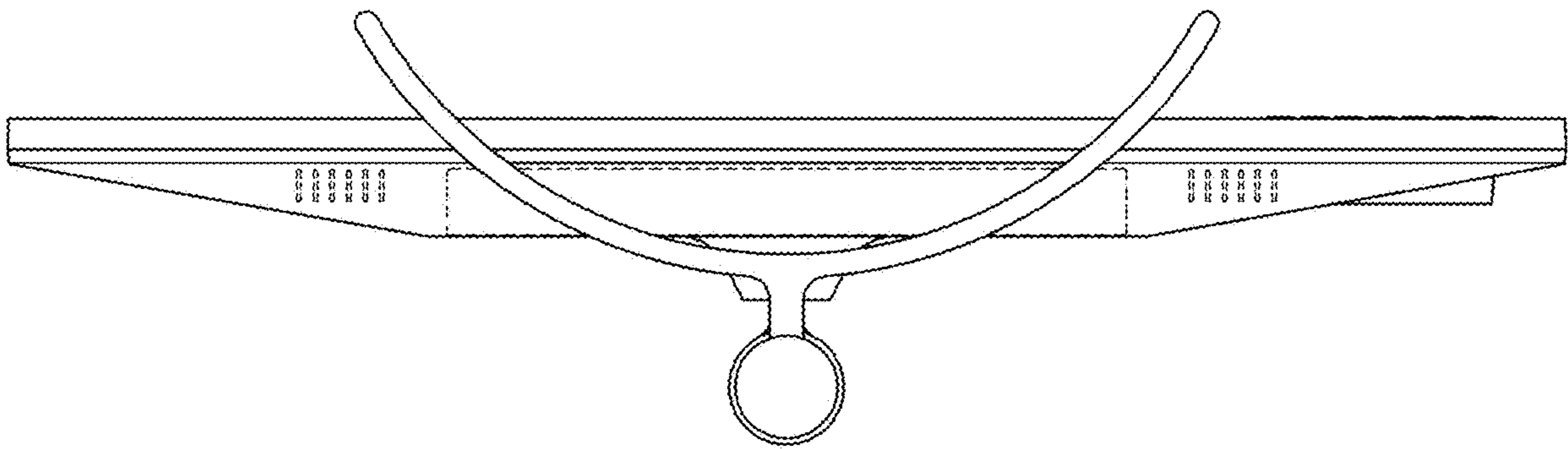


1.7





1.8



1.9

