



US00D935456S

(12) **United States Design Patent** (10) **Patent No.:** **US D935,456 S**  
**Seflic et al.** (45) **Date of Patent:** **\*\* Nov. 9, 2021**

(54) **DISPLAY DEVICE**

(71) Applicant: **Google LLC**, Mountain View, CA (US)

(72) Inventors: **Matthew Seflic**, San Jose, CA (US);  
**Maj Isabelle Olsson**, Sunnyvale, CA (US); **Carl Ceyress**, Mountain View, CA (US); **Katherine Morgenroth**, San Mateo, CA (US)

(73) Assignee: **GOOGLE LLC**, Mountain View, CA (US)

(\*\*) Term: **15 Years**

(21) Appl. No.: **29/663,725**

(22) Filed: **Sep. 18, 2018**

(51) **LOC (13) Cl.** ..... **14-02**

(52) **U.S. Cl.**  
USPC ..... **D14/371**

(58) **Field of Classification Search**

USPC ..... D14/138 AB, 203.8, 206, 214, 224, 229,  
D14/238, 253, 307, 324, 336, 348–355,  
D14/363, 369, 371–372, 374–380,  
D14/388–389, 452, 900, 902, 129–130,  
D14/133, 140.1–140.2, 140.5, 209.1, 434,  
D14/448; D20/10, 15; D6/308, 310,  
(Continued)

(56) **References Cited**

**U.S. PATENT DOCUMENTS**

D291,539 S 8/1987 Holterscheidt  
D310,356 S 9/1990 Barron et al.  
(Continued)

**FOREIGN PATENT DOCUMENTS**

CN 302650567 \* 11/2013  
CN 302797536 S 4/2014  
(Continued)

**OTHER PUBLICATIONS**

Nest Hub, Google, thegadgeteer.com, published by Julie Strietelmeier on Sep. 6, 2019 © 2020 The Gadgeteer, online, site visited Jun. 15, 2020. Available at URL: <https://the-gadgeteer.com/2019/09/06/google-nest-hub-review/> (Year: 2109).\*

(Continued)

*Primary Examiner* — Sandra Snapp  
*Assistant Examiner* — Altaira J Swangin

(74) *Attorney, Agent, or Firm* — Leason Ellis LLP

(57) **CLAIM**

The ornamental design for a display device, as shown and described.

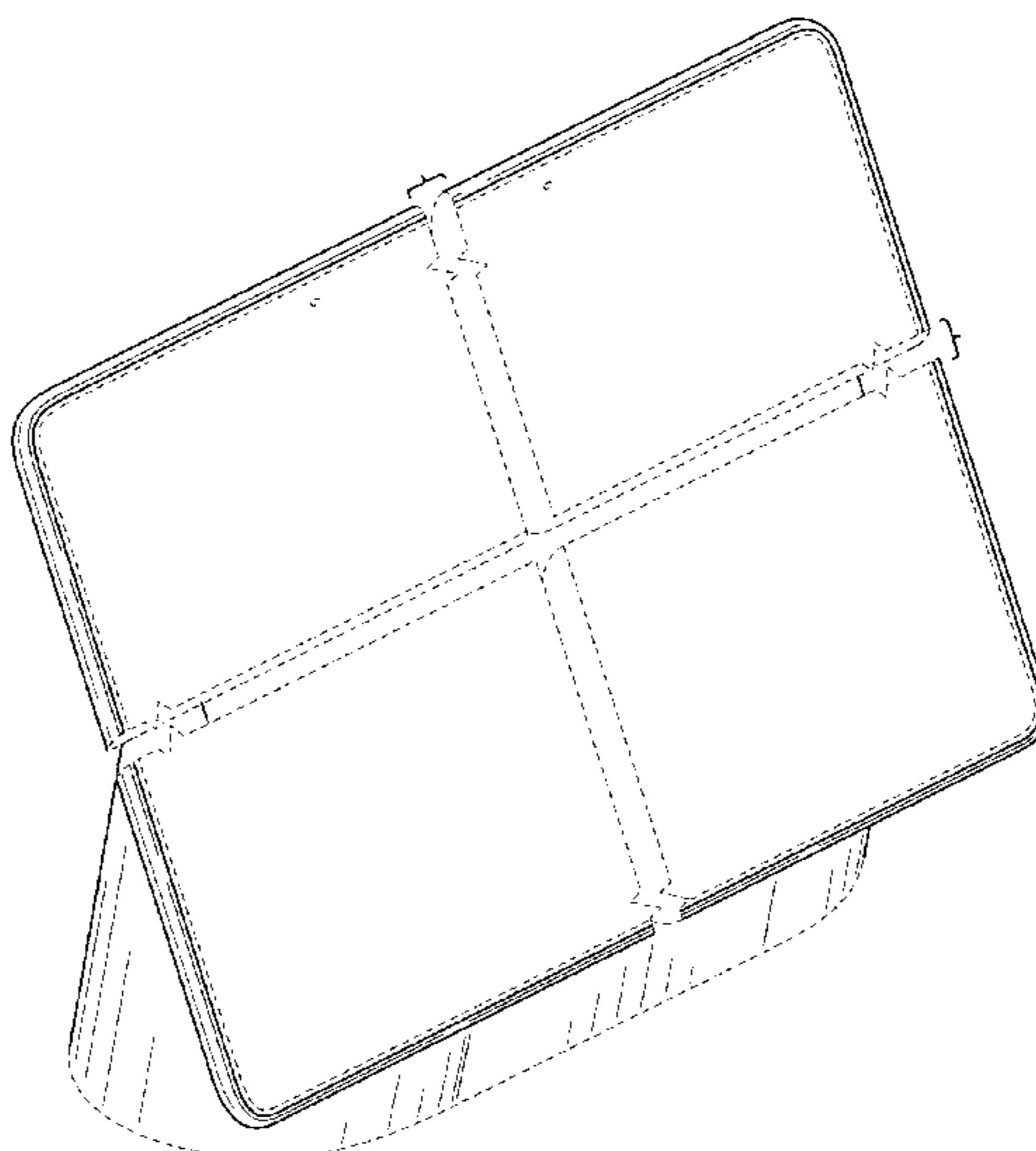
**DESCRIPTION**

The present application is related to U.S. Design patent application Ser. No. 29/663,723, filed concurrently herewith, the entire disclosure of which is incorporated herein by reference.

FIG. 1 is a perspective view of a display device showing our design;  
FIG. 2 is a front elevation view thereof;  
FIG. 3 is a rear elevation view thereof;  
FIG. 4 is a right side elevation view thereof;  
FIG. 5 is a left side elevation view thereof;  
FIG. 6 is a top plan view thereof; and,  
FIG. 7 is a bottom plan view thereof.

In the drawings, the claimed design is defined by the shaded surfaces: broken lines immediately adjacent shaded surfaces represent boundaries of the claim and form no part thereof. All other broken lines and unshaded surfaces illustrate portions of the display device that form no part of the claimed design. The appearance of any portion of the article between the break lines forms no part of the claimed design.

**1 Claim, 4 Drawing Sheets**



(58) **Field of Classification Search**

USPC ..... D6/677.4, 700-701; D21/324, 329, 332,  
D21/338; D18/4.5-4.6, 12, 50, 55;  
D24/160, 167, 186; D10/104.1-104.2;  
700/275; 248/441.1  
CPC ..... G06F 1/1637; G06F 1/1626; A47G 1/141  
See application file for complete search history.

D873,262 S \* 1/2020 Fernando ..... D14/307  
D883,283 S 5/2020 Chen et al.  
D891,428 S \* 7/2020 Taylor ..... D14/371  
D893,201 S \* 8/2020 Jiang ..... D6/308  
D895,123 S \* 9/2020 He ..... D24/186  
10,795,407 B2 \* 10/2020 Wun ..... G06F 1/1656  
D907,032 S \* 1/2021 Solomon ..... D14/336  
D912,064 S 3/2021 DeFazio et al.  
D918,897 S 5/2021 Andre et al.  
D919,699 S \* 5/2021 Fuhs ..... D18/4.6

(56) **References Cited**

U.S. PATENT DOCUMENTS

D319,820 S 9/1991 Uchibori et al.  
D320,010 S 9/1991 Orchard et al.  
D332,092 S 12/1992 Lo  
D346,594 S \* 5/1994 Skaggs ..... D14/375  
D398,293 S 9/1998 Lindblom  
D413,314 S 8/1999 Morimiya  
D531,523 S 11/2006 Bhavnani  
D550,636 S 9/2007 DeMaio et al.  
D578,126 S 10/2008 Kawase et al.  
D583,358 S 12/2008 Joseph  
D592,165 S 5/2009 Bai et al.  
D612,837 S \* 3/2010 Murray ..... D14/216  
D615,959 S 5/2010 Xiao  
D631,457 S 1/2011 Mo et al.  
D660,263 S 5/2012 Hofer et al.  
D669,070 S 10/2012 Hsu et al.  
D680,653 S \* 4/2013 Fullerton ..... D24/167  
D687,825 S 8/2013 Lee et al.  
D687,826 S 8/2013 Jeon et al.  
D693,813 S 11/2013 Symons  
D694,653 S 12/2013 Hsu  
D702,675 S \* 4/2014 Jones ..... D14/307  
D708,184 S \* 7/2014 Romanoff ..... D14/422  
D710,715 S \* 8/2014 Bianco ..... D10/41  
D716,293 S \* 10/2014 Hwang ..... D14/341  
D716,815 S \* 11/2014 van Hees ..... D14/420  
D720,326 S 12/2014 Chao et al.  
D720,745 S \* 1/2015 Yeo ..... D14/341  
D734,179 S \* 7/2015 Golden ..... D10/50  
D738,233 S \* 9/2015 Repp ..... D10/57  
D741,853 S \* 10/2015 Barron ..... D14/336  
D744,875 S \* 12/2015 Repp ..... D10/57  
D747,704 S \* 1/2016 Tsou ..... D14/242  
D757,162 S \* 5/2016 Lyons ..... D18/50  
D760,181 S 6/2016 Tao et al.  
D769,231 S \* 10/2016 Kwak ..... D14/242  
D781,285 S 3/2017 Akana et al.  
D782,466 S \* 3/2017 Yepez ..... D14/307  
D808,957 S 1/2018 Tian  
D811,383 S \* 2/2018 Diasabeygunawardena .....  
D14/336  
D817,187 S 5/2018 Poandl  
D829,704 S \* 10/2018 Gross ..... D14/307  
D830,868 S \* 10/2018 Kress ..... D10/87  
D832,256 S 10/2018 King  
D845,355 S \* 4/2019 Demiter ..... D15/28  
D847,452 S \* 4/2019 Angelopoulos ..... D99/28  
D850,525 S \* 6/2019 Eun ..... D18/4.6  
D857,007 S \* 8/2019 Pitallano ..... D14/307  
D864,305 S \* 10/2019 Ortiz De Viveiros ..... D21/369  
D871,500 S \* 12/2019 Balar ..... D18/4.5

FOREIGN PATENT DOCUMENTS

CN 305479166 \* 12/2019  
EP 002604470-0005 3/2015  
JP 1434261 S 2/2012  
JP 1457728 S 12/2012  
JP 1477300 S 8/2013  
JP 1557343 S 8/2016  
JP 1576686 5/2017  
JP 1596059 1/2018  
KR 300722546.0000 \* 12/2013  
KR 3010478430004 \* 6/2020

OTHER PUBLICATIONS

Home Hub Smart Display, Google, 9to5google.com, published by Stephen Hall on Sep. 18, 2018 © 2020 HP Development Company, L.P., online, site visited Sep. 8, 2020. Available at URL: <https://9to5google.com/2018/09/18/google-home-hub-is-googles-first-party-smart-display-leaks-in-new-renders/> (Year: 2018).\*

Fusion Bob Free Standing Tablet Stand, BossTab USA, posplaza.com, author unlisted, published on Jul. 23, 2016 © 2020 POS Plaza, online, site visited Sep. 8, 2020. Available at URL: <https://www.posplaza.com.au/fusion-bob-free-standing-tablet-stand.html> (Year: 2016).\*

Kenko Co., Ltd, ASKA Eye-Popper, Accessed via Internet Address URL: [http://www.jpo.go.jp/tetuzuki/t\\_ishou/kyozetsuriyuu\\_bunken\\_h.htm](http://www.jpo.go.jp/tetuzuki/t_ishou/kyozetsuriyuu_bunken_h.htm), 6 pages.

Korean Design Publication, vol. 07-14, (Mar. 16, 2007), 30-0443718, 5 pages.

Raymarine Dragonfly GPS, Raymarine, D00462, 1 page.

Notification of Grant for Japanese Design Application No. 2019-005692, 2 pages.

T. Chatani & Co., Ltd., mobile phone holder, 1 page.

Notice of Grant for Japanese Patent Application No. 2019-025745, 3 pages.

Notice of Grant for Japanese Patent Application No. 2019-025746, 3 pages.

Notice of Grant for Japanese Patent Application No. 2019-025743, 3 pages.

Notice of Grant for Japanese Patent Application No. 2019-025753, 3 pages.

Notice of Grant for Japanese Design Application No. 2019-025740; 3 pages.

Notice of Grant for Japanese Design Application No. 2019-025741; 3 pages.

U.S. Office Action, Design U.S. Appl. No. 29/663,747 dated Jun. 18, 2021, 10 pages.

\* cited by examiner

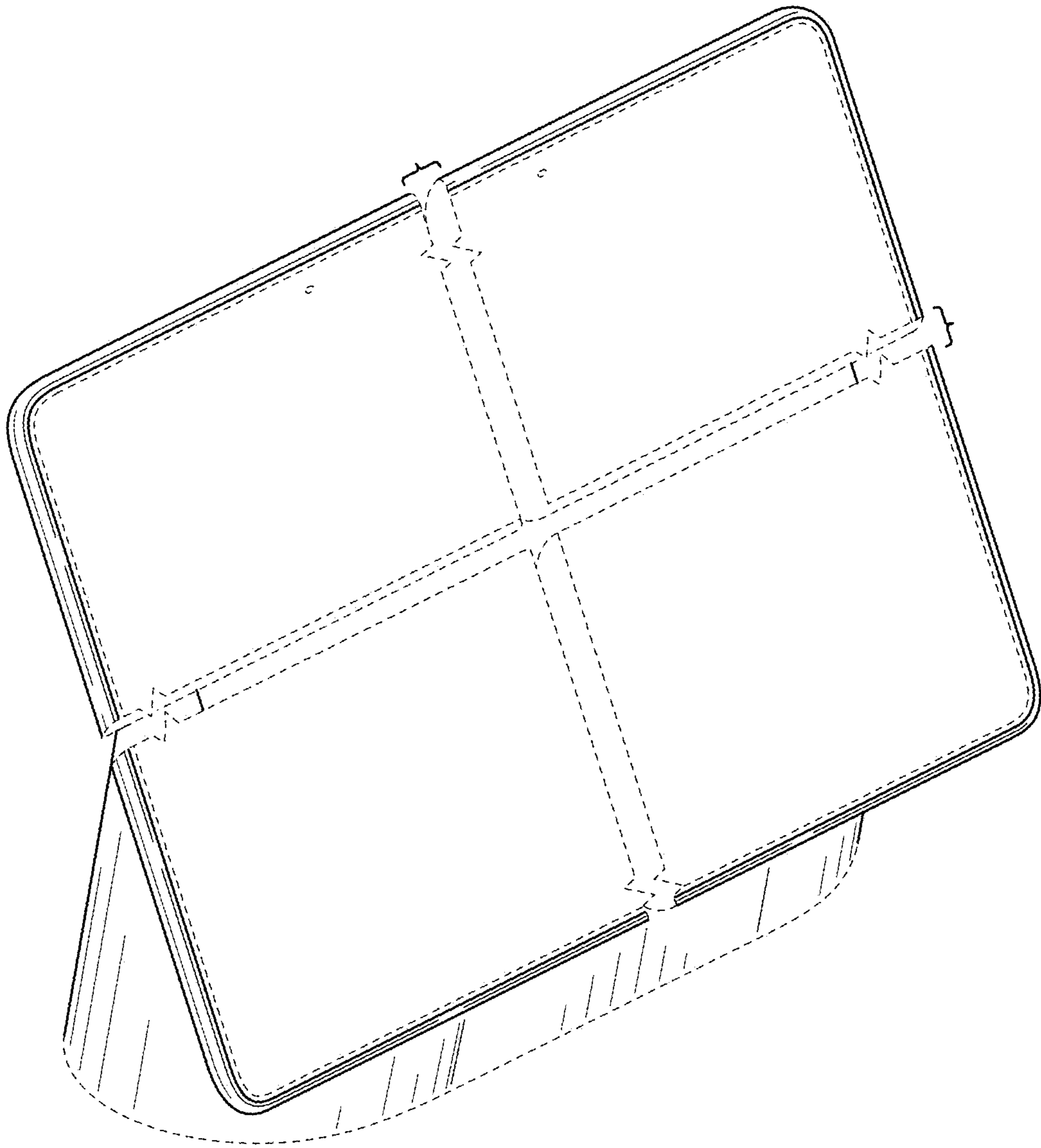


FIG . 1

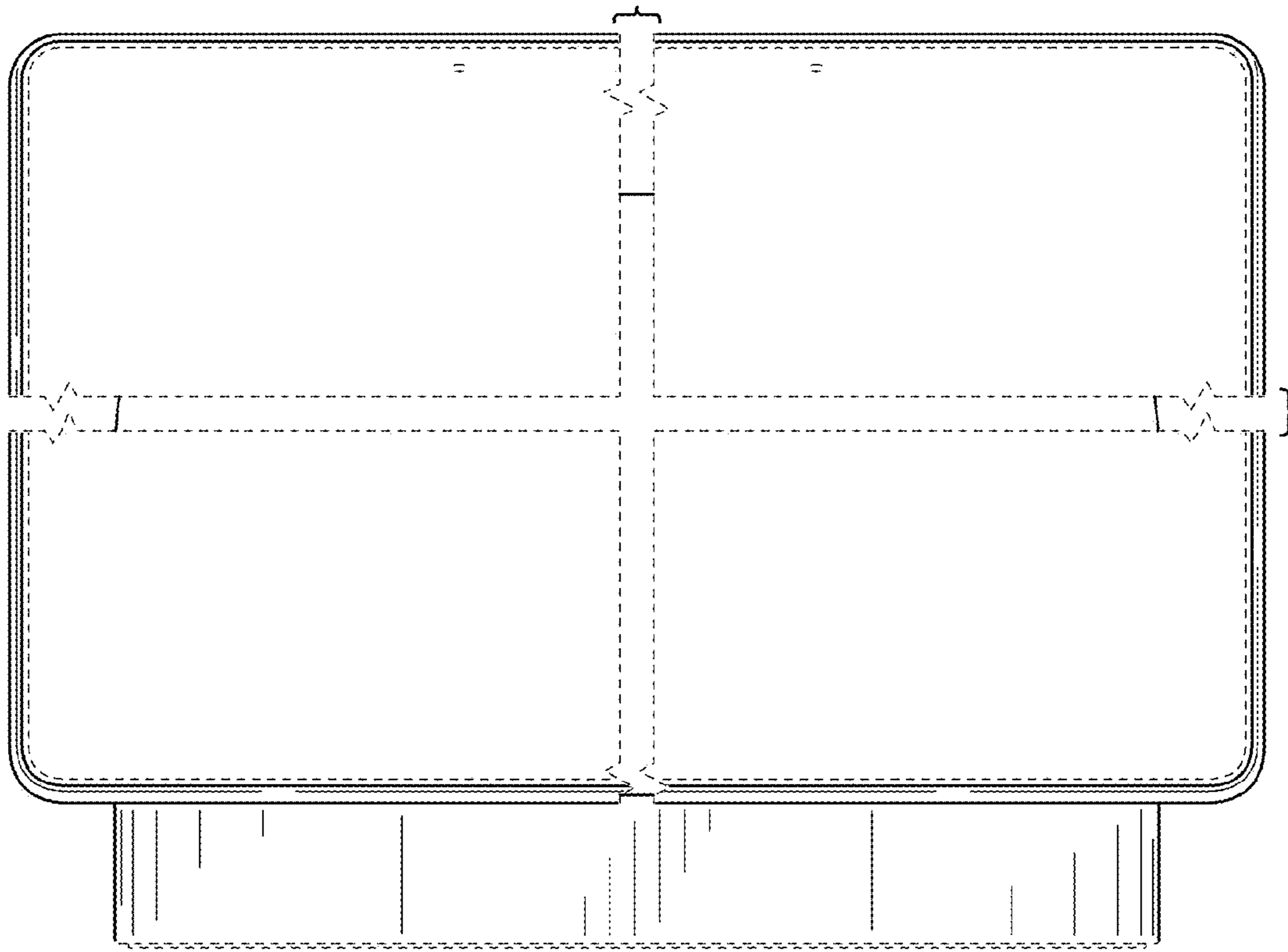


FIG. 2

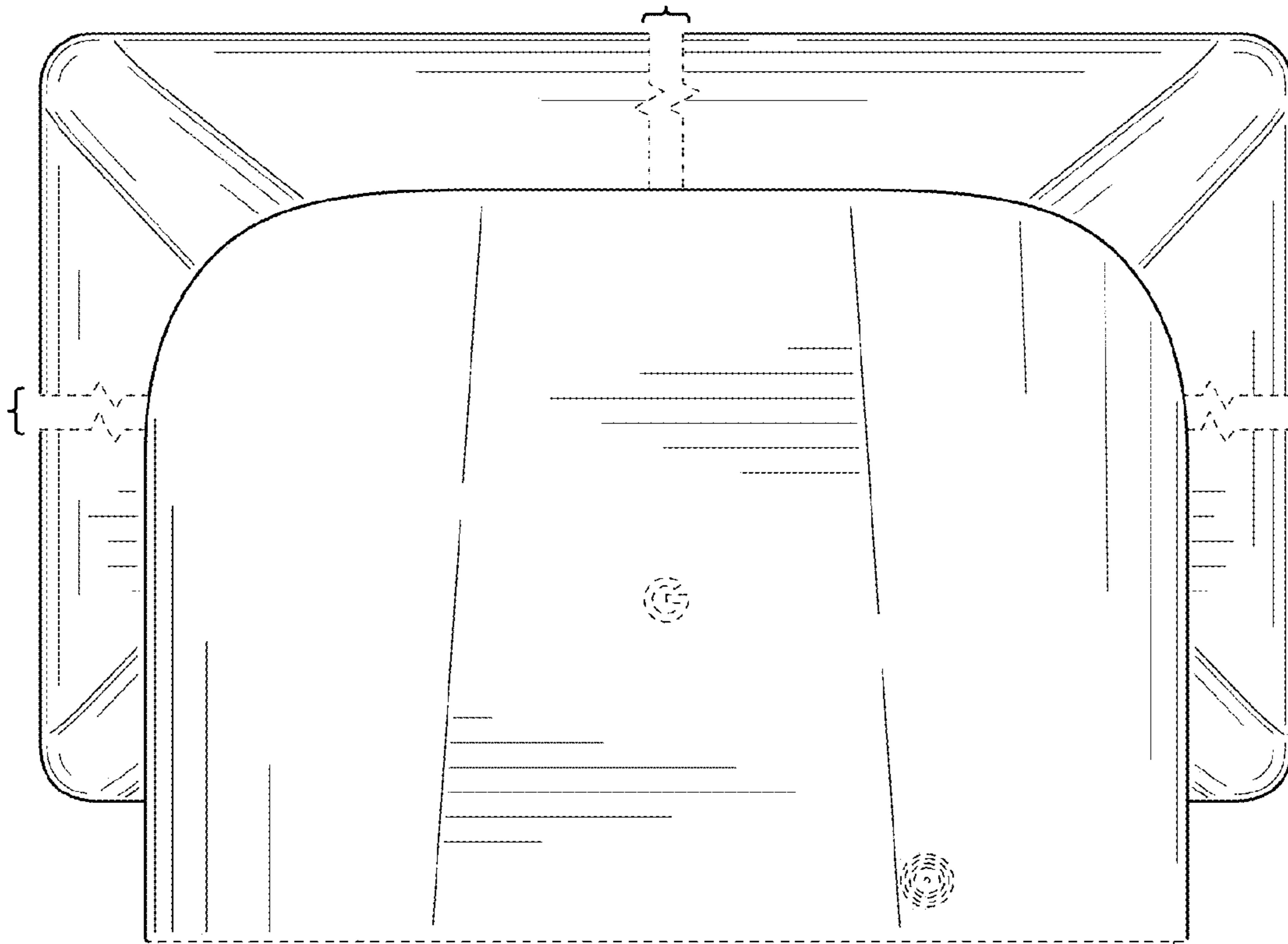


FIG. 3

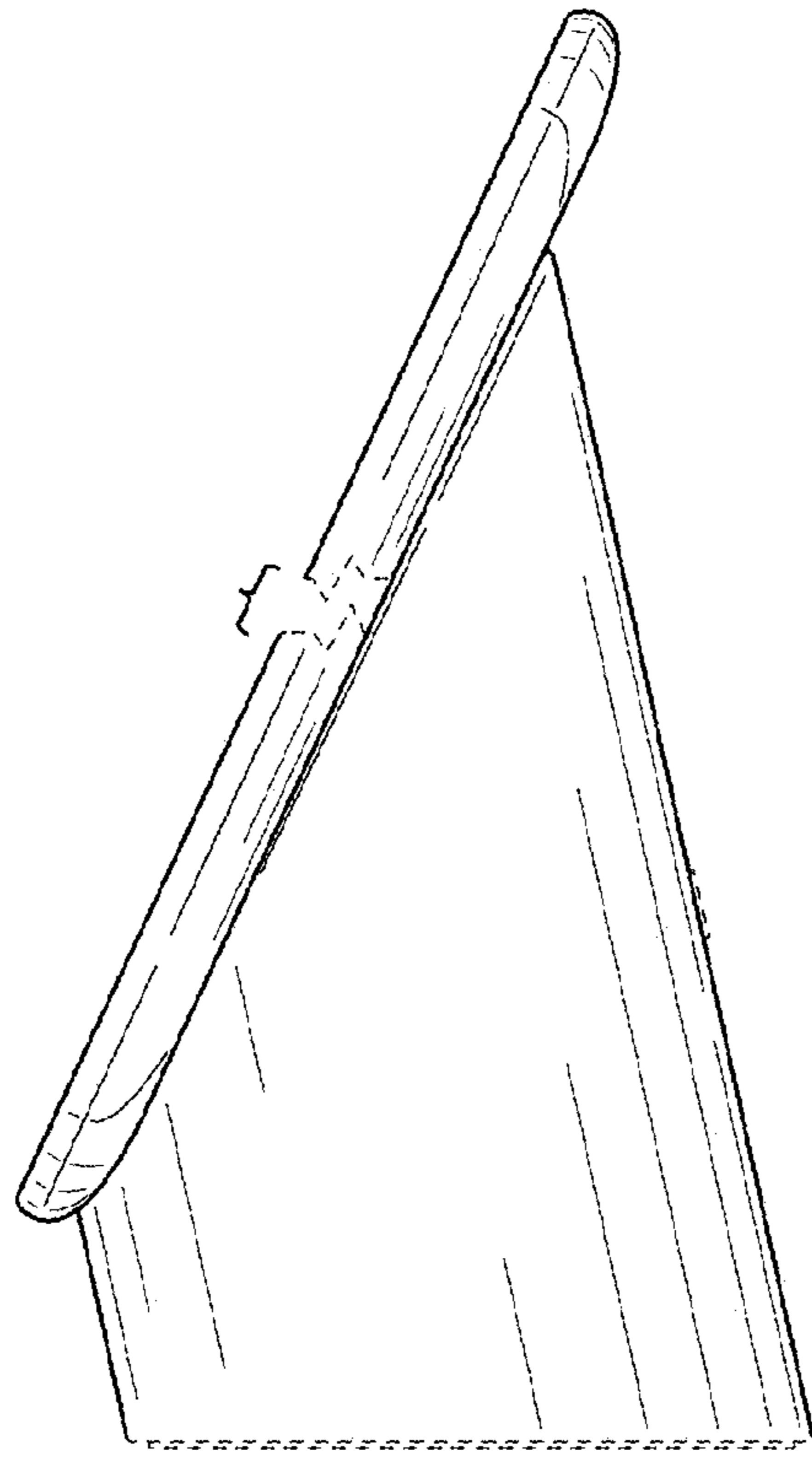


FIG . 4

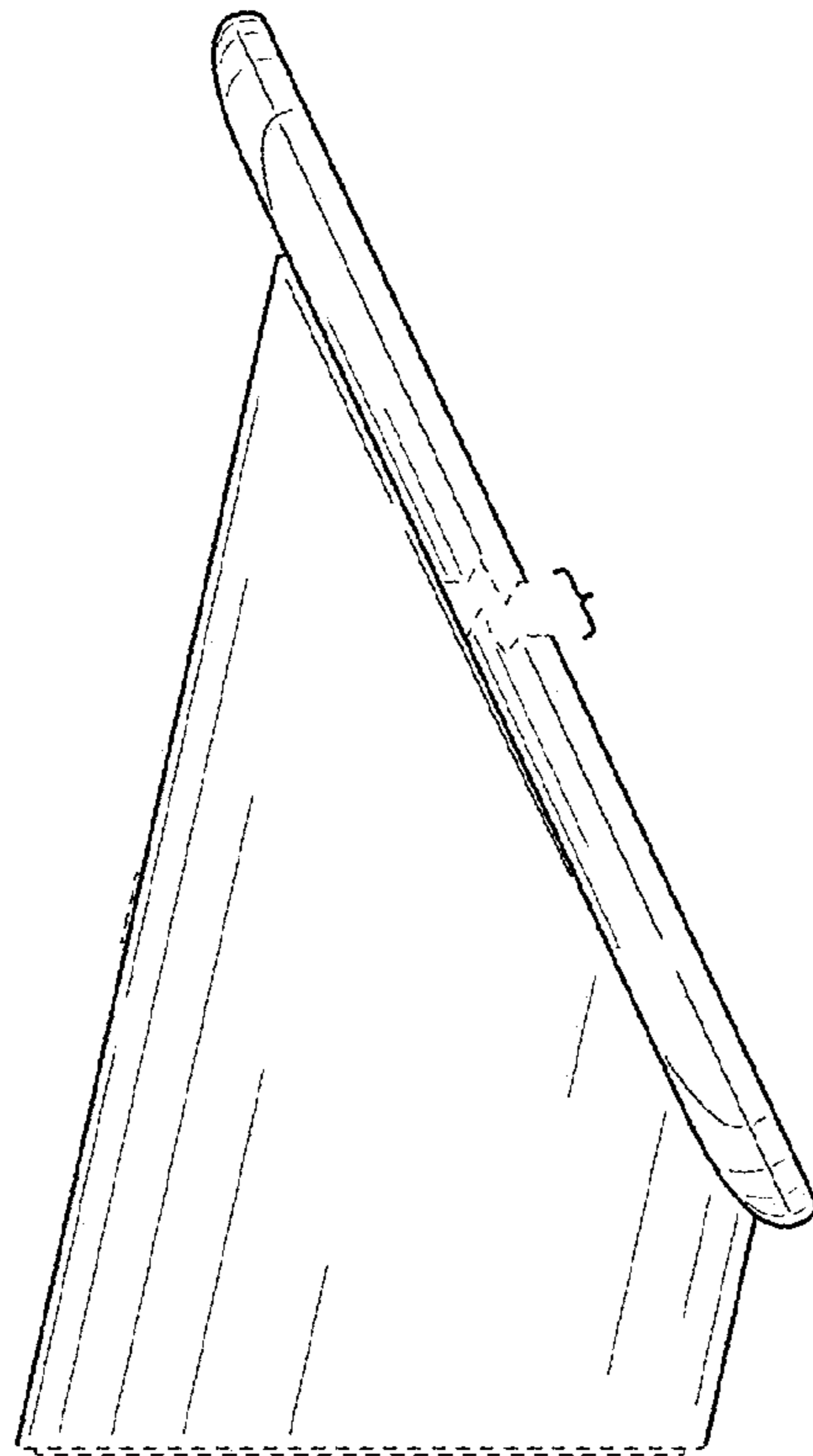


FIG . 5

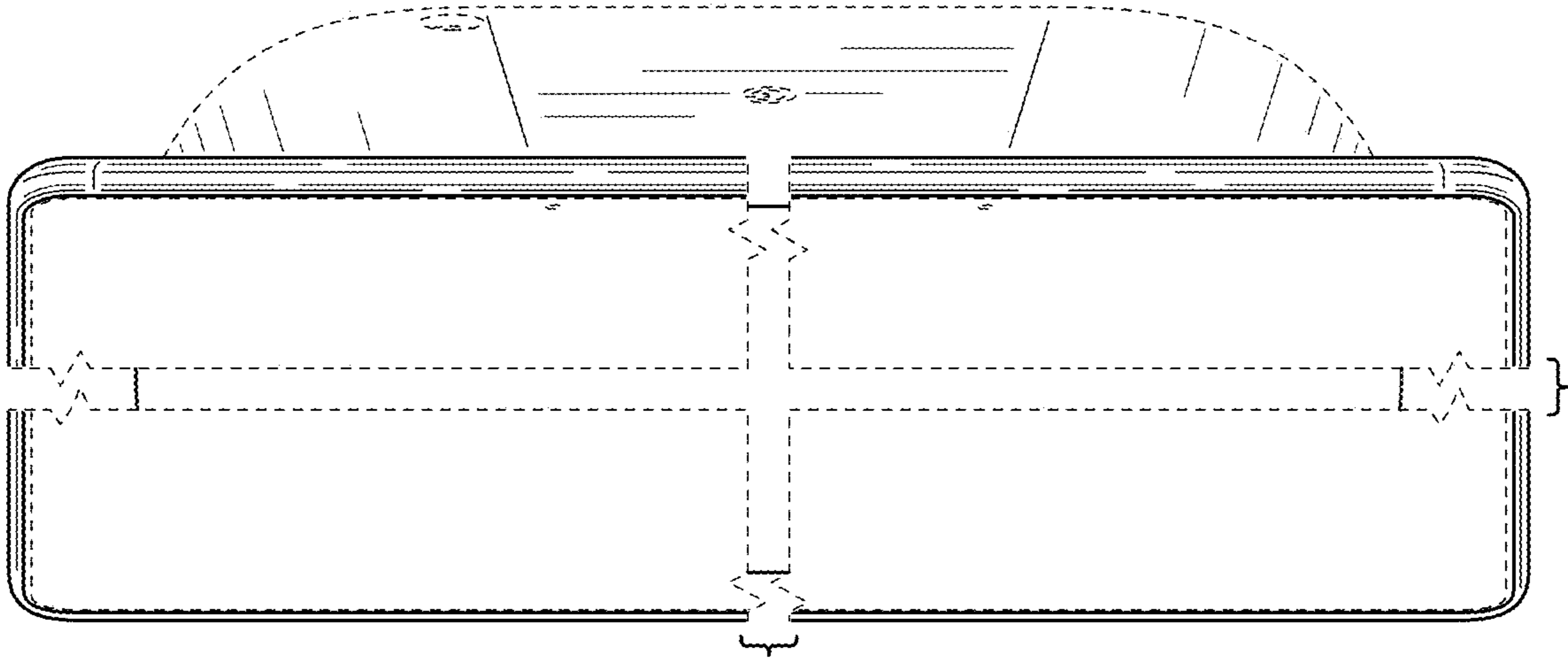


FIG . 6

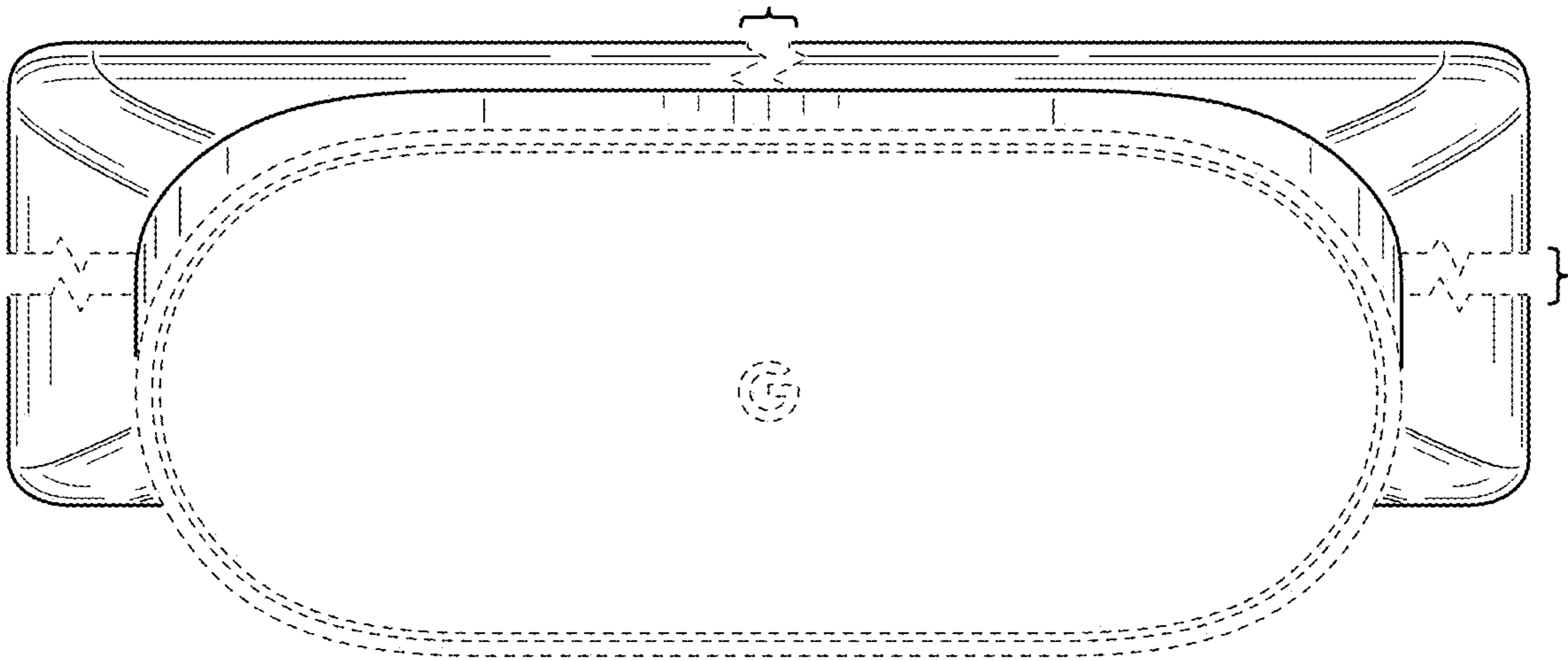


FIG . 7