



US00D935454S

(12) **United States Design Patent**
Bi et al.

(10) **Patent No.:** **US D935,454 S**

(45) **Date of Patent:** **** Nov. 9, 2021**

(54) **STORAGE DEVICE**

(71) Applicant: **Seagate Technology LLC**, Cupertino, CA (US)

(72) Inventors: **Liying Bi**, Foster City, CA (US);
ChuHsun Wu, Taipei (TW); **Britt C. Ashcraft**, Torrance, CA (US)

(73) Assignee: **SEAGATE TECHNOLOGY LLC**, Fremont, CA (US)

(**) Term: **15 Years**

(21) Appl. No.: **29/713,056**

(22) Filed: **Nov. 13, 2019**

(51) **LOC (13) Cl.** **14-02**

(52) **U.S. Cl.**
USPC **D14/348**; D14/365

(58) **Field of Classification Search**
USPC D14/348–370, 383–385, 432, 433, 435,
D14/436, 474, 480, 440, 498, 500, 502,
(Continued)

(56) **References Cited**

U.S. PATENT DOCUMENTS

D348,448 S * 7/1994 Read D14/365
6,715,594 B2 4/2004 Milionta et al.
(Continued)

OTHER PUBLICATIONS

Data transmission devices [data processing]. (Design—© Questel) orbit.com. [online PDF of Foreign references] 9 pgs. Print Dates range Dec. 21, 2019-Jan. 4, 2019. [Retrieved Jul. 2, 2021] <https://www.orbit.com/export/QPTUJ214/pdf2/3d2934e9-408d-4c30-ae02-28d8ae5ffead-194226.pdf>.*

(Continued)

Primary Examiner — Marie D. Fast Horse

(74) *Attorney, Agent, or Firm* — Westman, Champlin & Koehler, P.A.

(57) **CLAIM**

The ornamental design for a storage device, as shown and described.

DESCRIPTION

FIG. 1 is a top perspective view of a first embodiment of a storage device showing our new design;
FIG. 2 is a bottom perspective view thereof;
FIG. 3 is a top view thereof;
FIG. 4 is a bottom view thereof;
FIG. 5 is a right side view thereof;
FIG. 6 is a left side view thereof;
FIG. 7 is a back view thereof;
FIG. 8 is a front view thereof;
FIG. 9 is a top perspective view of a second embodiment of the storage device;
FIG. 10 is a bottom perspective view of FIG. 9;
FIG. 11 is a top view of FIG. 9;
FIG. 12 is a bottom view of FIG. 9;
FIG. 13 is a right side view of FIG. 9;
FIG. 14 is a left side view of FIG. 9;
FIG. 15 back view of FIG. 9;
FIG. 16 is a front view of FIG. 9;
FIG. 17 is a top perspective view of a third embodiment of the storage device;
FIG. 18 is a bottom perspective view of FIG. 17;
FIG. 19 is a top view of FIG. 17;
FIG. 20 is a bottom view of FIG. 17;
FIG. 21 is a right side view of FIG. 17;
FIG. 22 is a left side view of FIG. 17;
FIG. 23 is a back view of FIG. 17;
FIG. 24 is a front view of FIG. 17;
FIG. 25 is a top perspective view of a fourth embodiment of the storage device;
FIG. 26 is a bottom perspective view of FIG. 25;
FIG. 27 is a top view of FIG. 25;
FIG. 28 is a bottom view of FIG. 25;
FIG. 29 is a right side view of FIG. 25;
FIG. 30 is a left side view of FIG. 25;
FIG. 31 is a back view of FIG. 25; and,

(Continued)

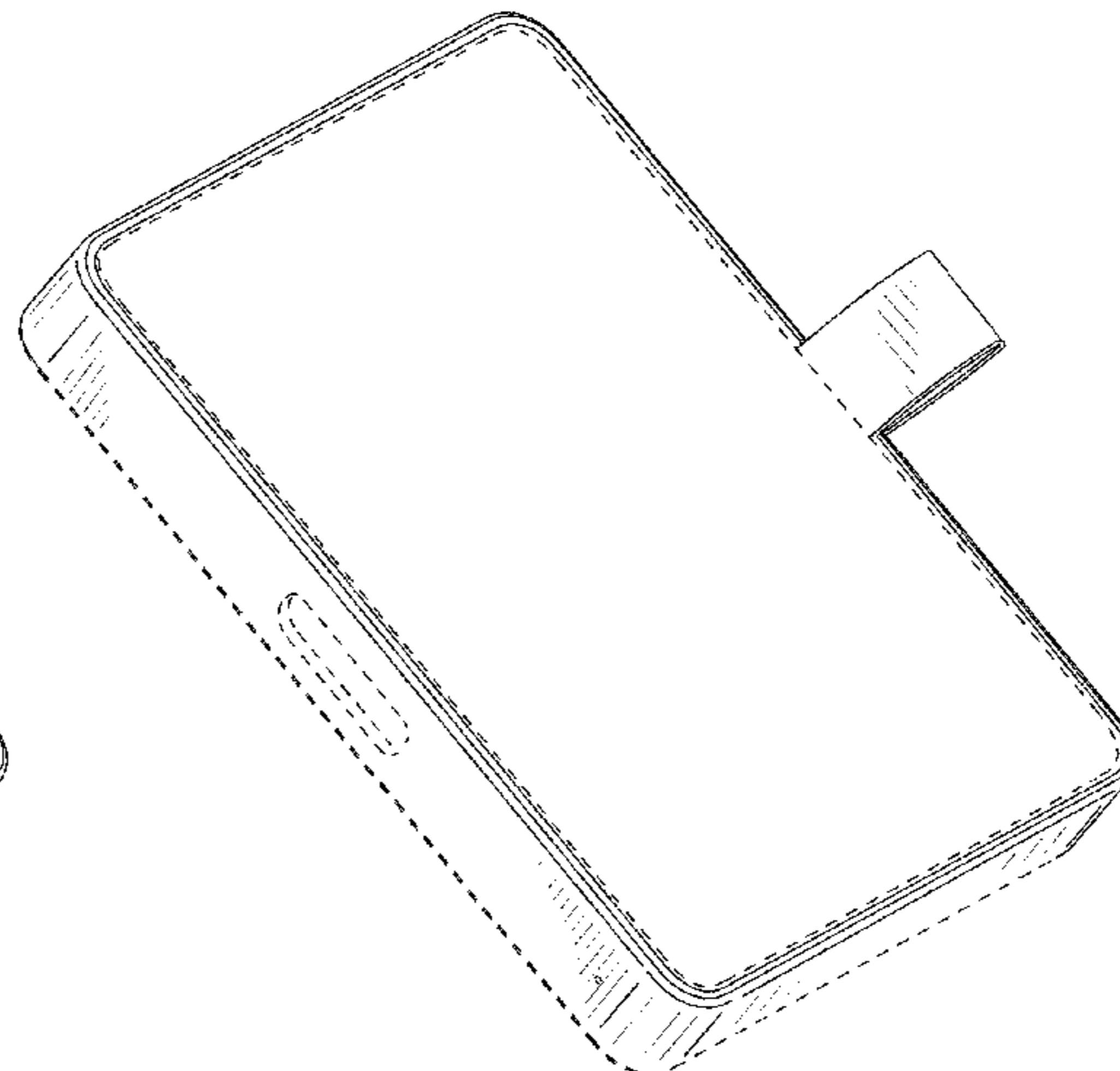
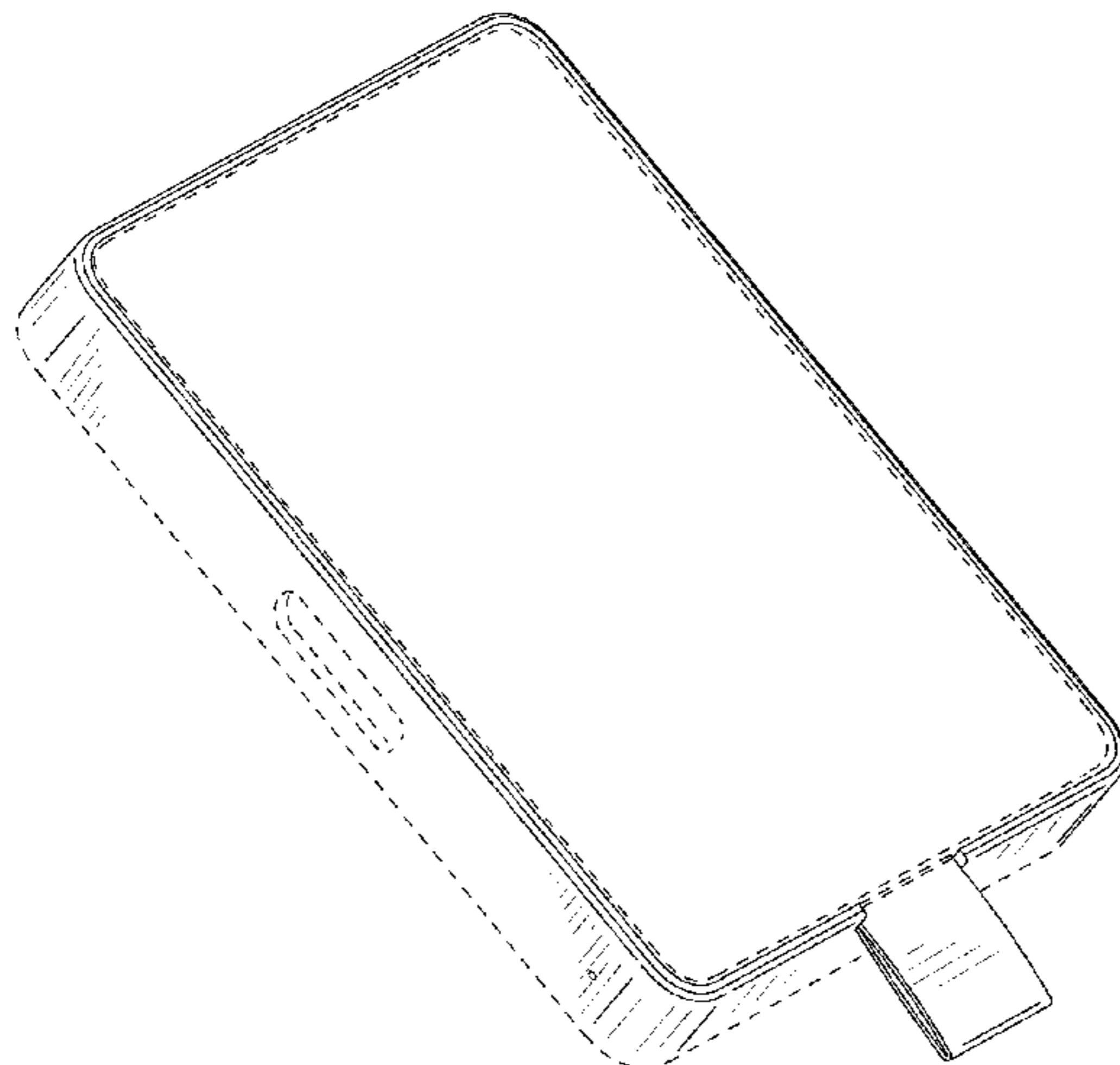


FIG. 32 is a front view of FIG. 25.

The broken lines shown in the drawings are included for purposes of illustrating portions of the storage device and form no part of the claimed design. The unshaded surfaces shown between the solid lines and the broken lines form no part of the claimed design.

1 Claim, 24 Drawing Sheets

(58) **Field of Classification Search**

USPC D14/300–302, 314, 125, 135, 155, 496,
D14/240–242, 299, 203.1, 203.3, 214;
D13/103, 107, 108, 184, 199; D3/276,
D3/294; D10/46, 49, 75, 104.1
CPC ... G11B 33/027; G11B 33/122; G11B 33/124;
G11B 33/00; G11B 33/02; G11B 33/022;
G11B 33/025; H05K 5/00; H05K 5/0213;
H05K 7/00; H05K 7/1427; G06F 1/187
See application file for complete search history.

(56) **References Cited**

U.S. PATENT DOCUMENTS

D493,170	S	*	7/2004	Ryu	D14/365
D532,785	S	*	11/2006	Lo	D14/363
D532,786	S	*	11/2006	Iseki	D14/365
D590,392	S	*	4/2009	Wang	D14/356
D609,713	S	*	2/2010	Du	D14/480.6
D629,399	S	*	12/2010	Camarena	D14/356
D640,646	S	*	6/2011	Wu	D14/125
D641,327	S	*	7/2011	Falakfarsa	D14/125
D641,362	S	*	7/2011	Dublin	D14/356
D641,363	S	*	7/2011	Dublin	D14/356
D641,364	S	*	7/2011	McParland	D14/356
D658,610	S	*	5/2012	Bang	D14/125
D662,050	S	*	6/2012	Tien	D13/108
D662,498	S	*	6/2012	Morgan	D14/356
D674,748	S	*	1/2013	Ferber	D13/108
D678,188	S	*	3/2013	Sasada	D13/103
D683,135	S	*	5/2013	Smith	D3/218
D689,859	S	*	9/2013	Kurata	D14/365
D693,798	S	*	11/2013	Chuang	D14/240
D693,806	S	*	11/2013	Shim	D14/365
D693,808	S	*	11/2013	Kim	D14/365
D714,824	S	*	10/2014	Park	D14/496
D716,296	S	*	10/2014	Drew	D14/353
D719,506	S	*	12/2014	Jung	D13/108
D720,687	S	*	1/2015	Hasbrook	D13/103

D723,618	S	*	3/2015	Rowe	D19/86
D729,239	S	*	5/2015	Fukuoka	D14/348
D730,306	S	*	5/2015	Tang	D14/125
D730,850	S	*	6/2015	Tang	D14/125
D732,039	S	*	6/2015	Ashcraft	D14/439
D733,043	S	*	6/2015	Hasbrook	D13/103
D733,713	S	*	7/2015	Shim	D14/435
D740,808	S	*	10/2015	Kono	D14/365
D740,809	S	*	10/2015	Kwon	D14/365
D743,962	S	*	11/2015	Ikeda	D14/348
D758,366	S	*	6/2016	Peng	D14/363
D760,223	S	*	6/2016	Peng	D14/363
D765,593	S	*	9/2016	Hoshikawa	D13/103
D777,725	S	*	1/2017	Peng	D14/367
D778,280	S	*	2/2017	Vanderpol	D14/363
D782,476	S	*	3/2017	Yamazaki	D14/358
D793,958	S	*	8/2017	Rautiainen	D13/108
D812,557	S	*	3/2018	Rostami	D13/103
D819,024	S	*	5/2018	Jun	D14/363
D819,633	S	*	6/2018	Jun	D14/363
D823,242	S	*	7/2018	Jun	D13/103
D824,901	S	*	8/2018	Wu et al.	D14/367
D825,558	S	*	8/2018	Peng	D14/367
D844,603	S	*	4/2019	Poulton et al.	D14/435
D854,545	S	*	7/2019	Woo	D14/435
D856,325	S	*	8/2019	Poulton et al.	D14/435
D857,014	S	*	8/2019	Wu et al.	D14/435
D876,536	S	*	2/2020	Shirley	D18/50
D877,118	S	*	3/2020	Wang	D14/210
D889,395	S	*	7/2020	Birkholz	D13/103
D890,697	S	*	7/2020	Chen	D13/108
D913,213	S	*	3/2021	Bi	D14/365
D923,005	S	*	6/2021	Bi	D14/348
2007/0177308	A1	*	8/2007	Kimura	G11B 33/122 360/245.9
2009/0316350	A1	*	12/2009	Hu	H05K 5/03 361/679.33
2012/0227238	A1	*	9/2012	Manchin et al.	
2015/0305480	A1	*	10/2015	Brousseau	

OTHER PUBLICATIONS

Global Sources, "Gift Box", <https://hmingift.manufacturer.globalsources.com/si/6008811495277/pdt/Cardboard-gift/1165015349/clothing-gift-box-clothing-packing-box-paper-bag.htm>, at least as early as Sep. 19, 2019, 1 page.
Liasa, La Industrial Algodonera, "Ribbon loop with Film Hook", <https://www.laindustrialalgodonera.com/en/ending/ribbon-loop-one-film-hook-manufacturer-supplier-barb/>, at least as early as Sep. 19, 2019, 1 page.

* cited by examiner

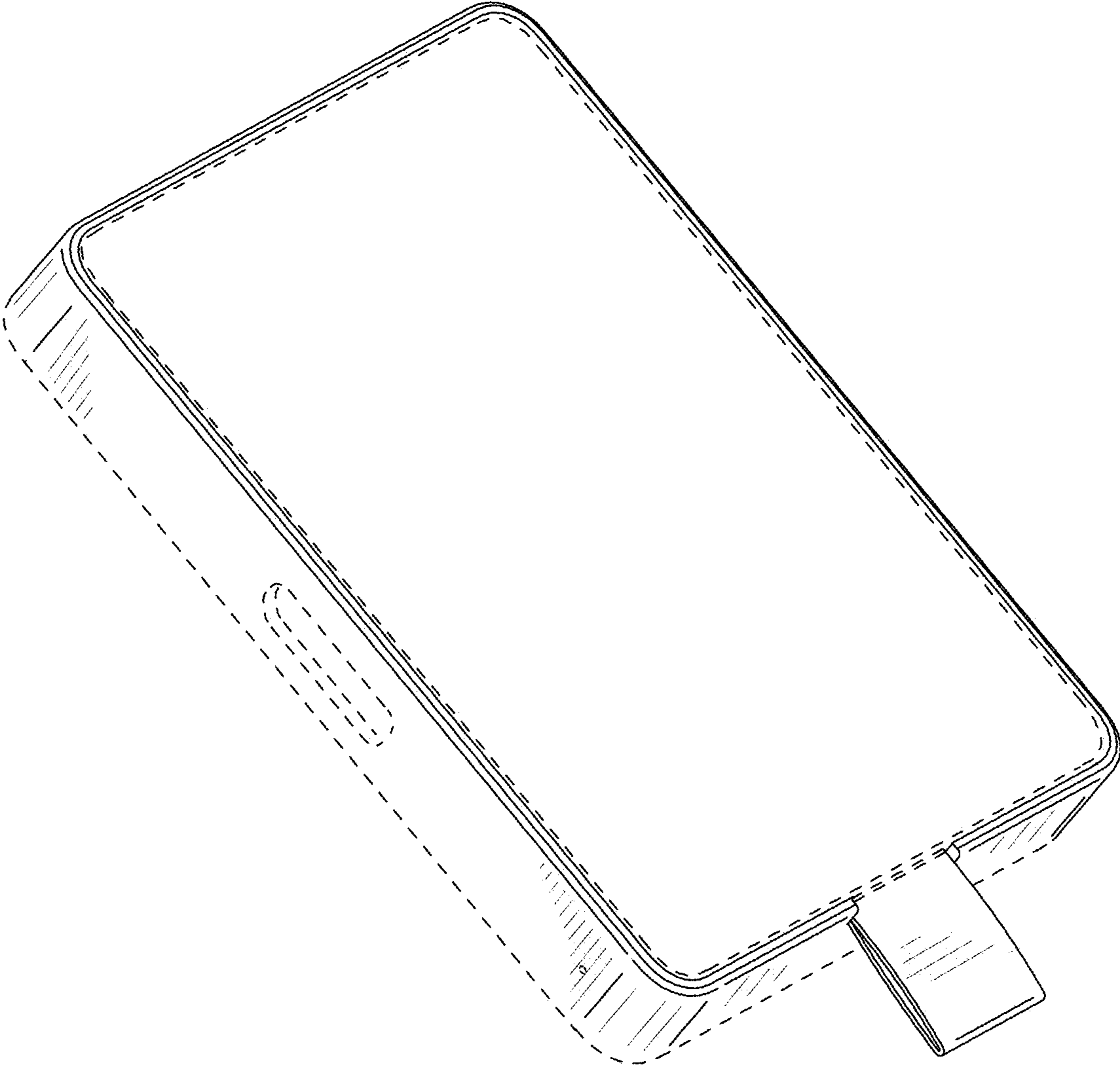


Fig. 1

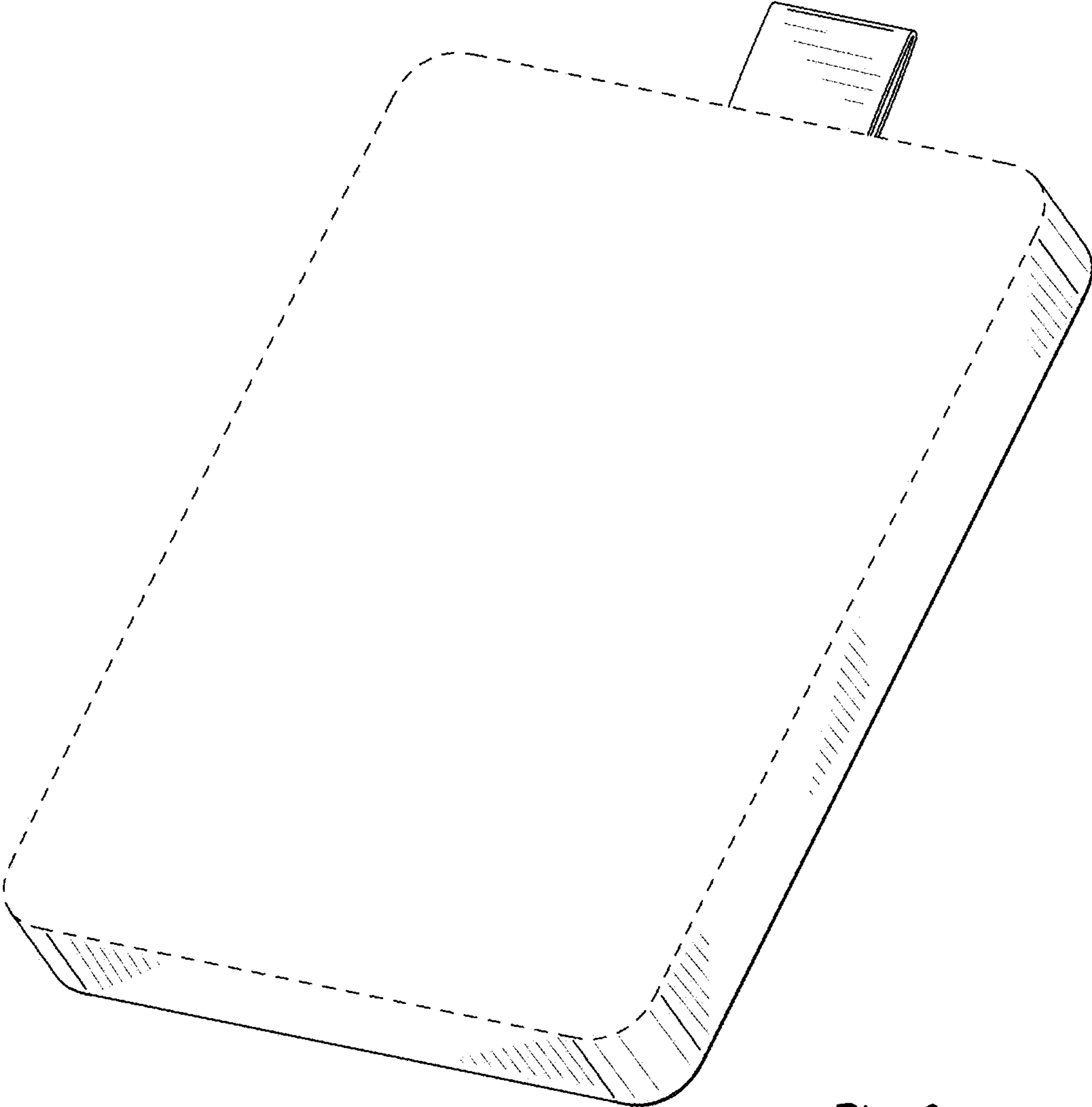


Fig. 2

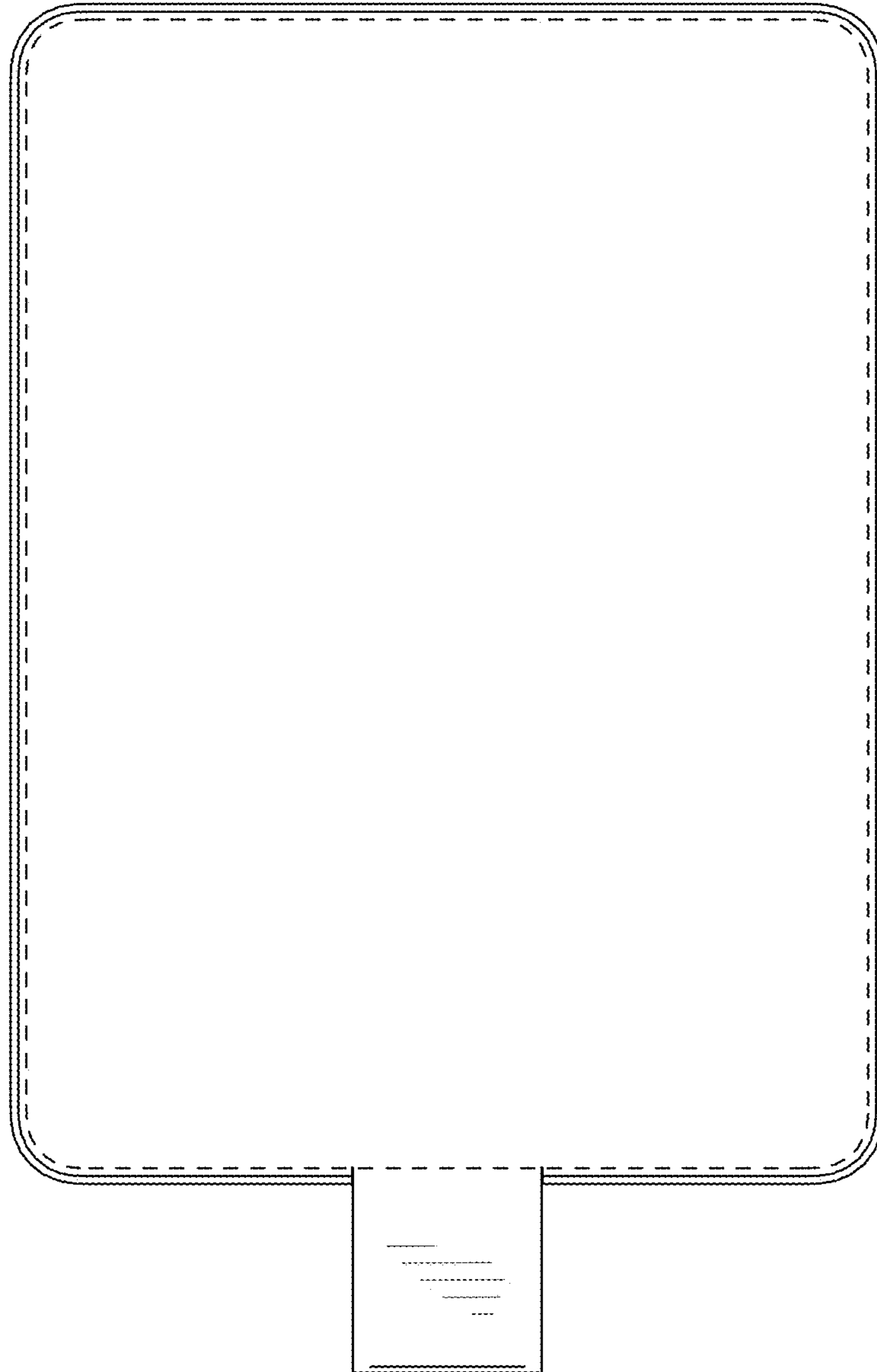


Fig. 3

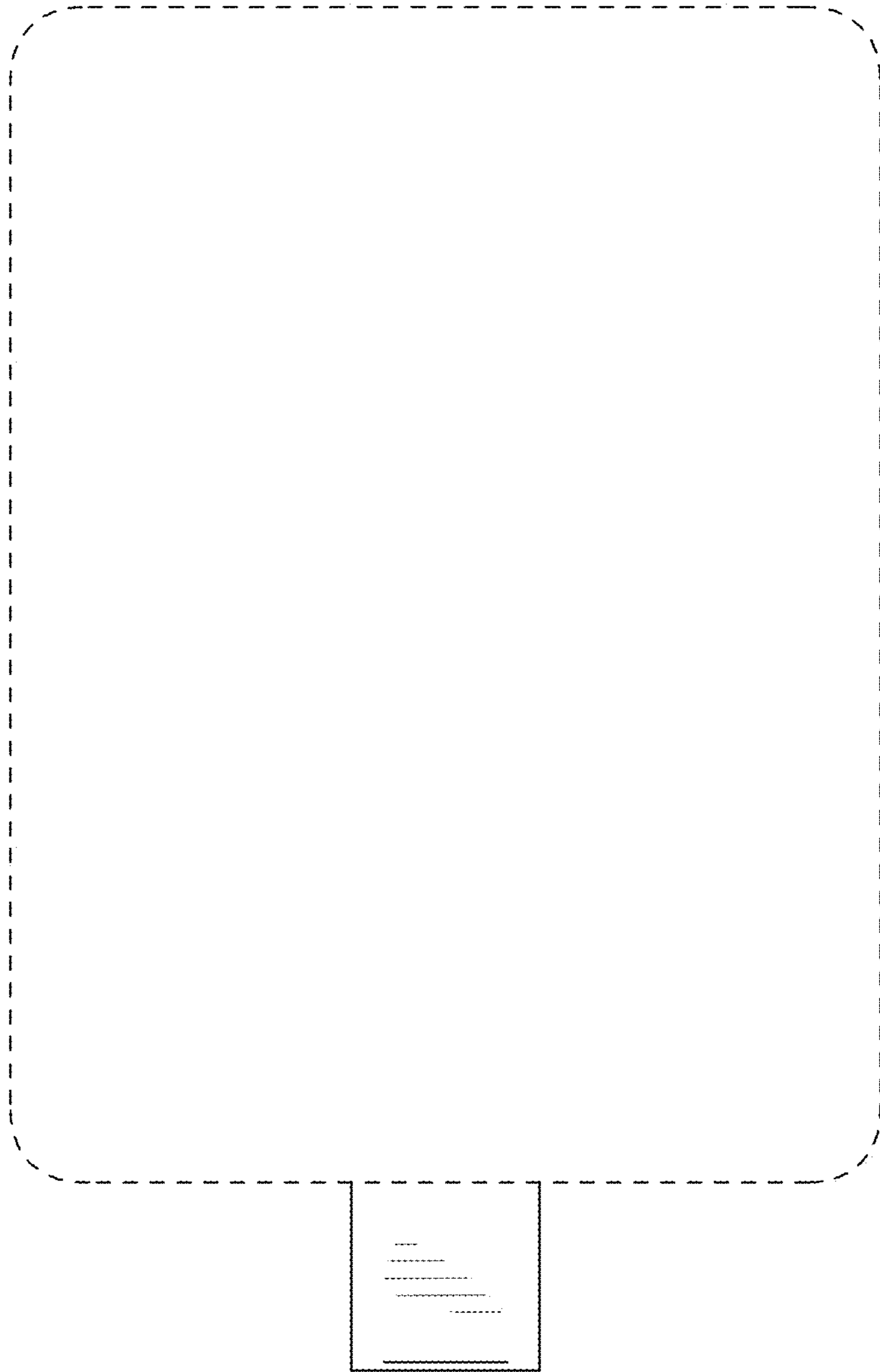


Fig. 4

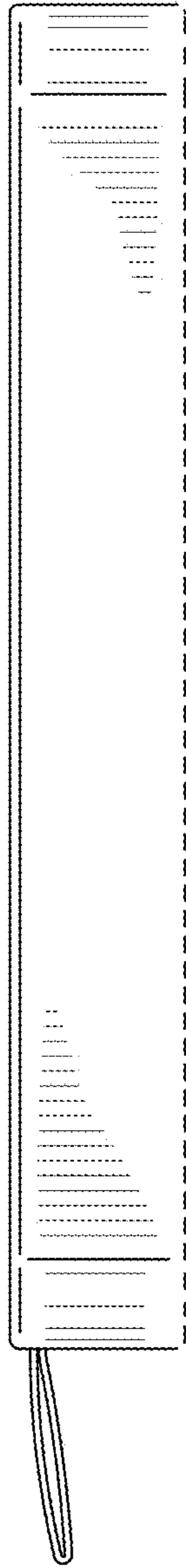


Fig. 5

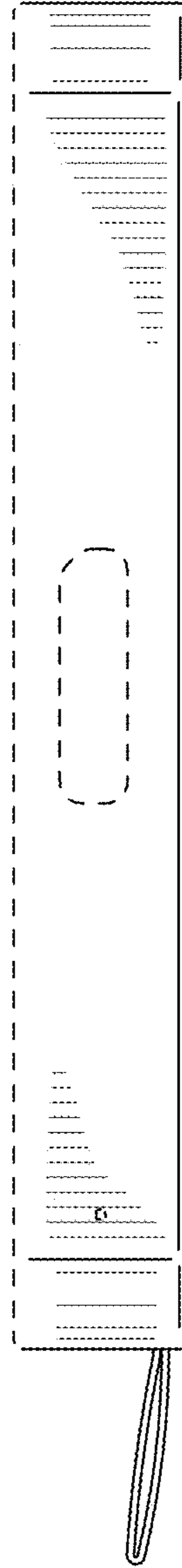


Fig. 6



Fig. 7

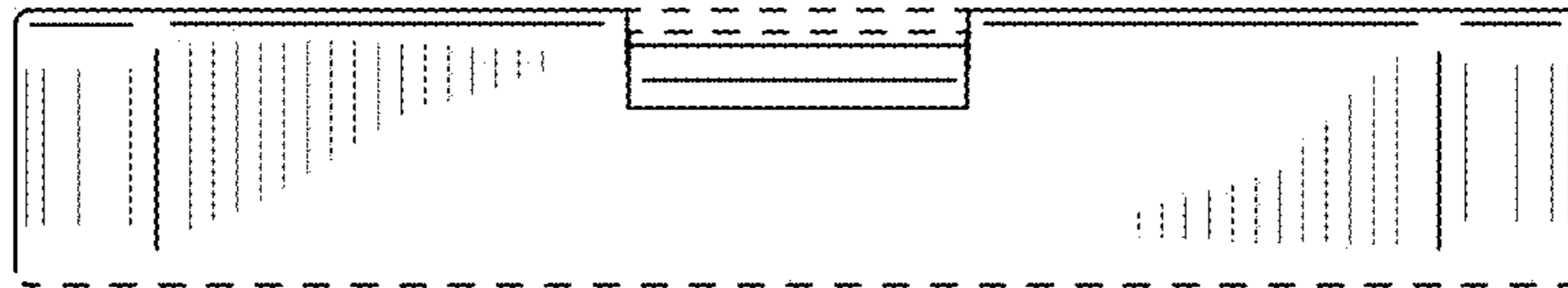


Fig. 8

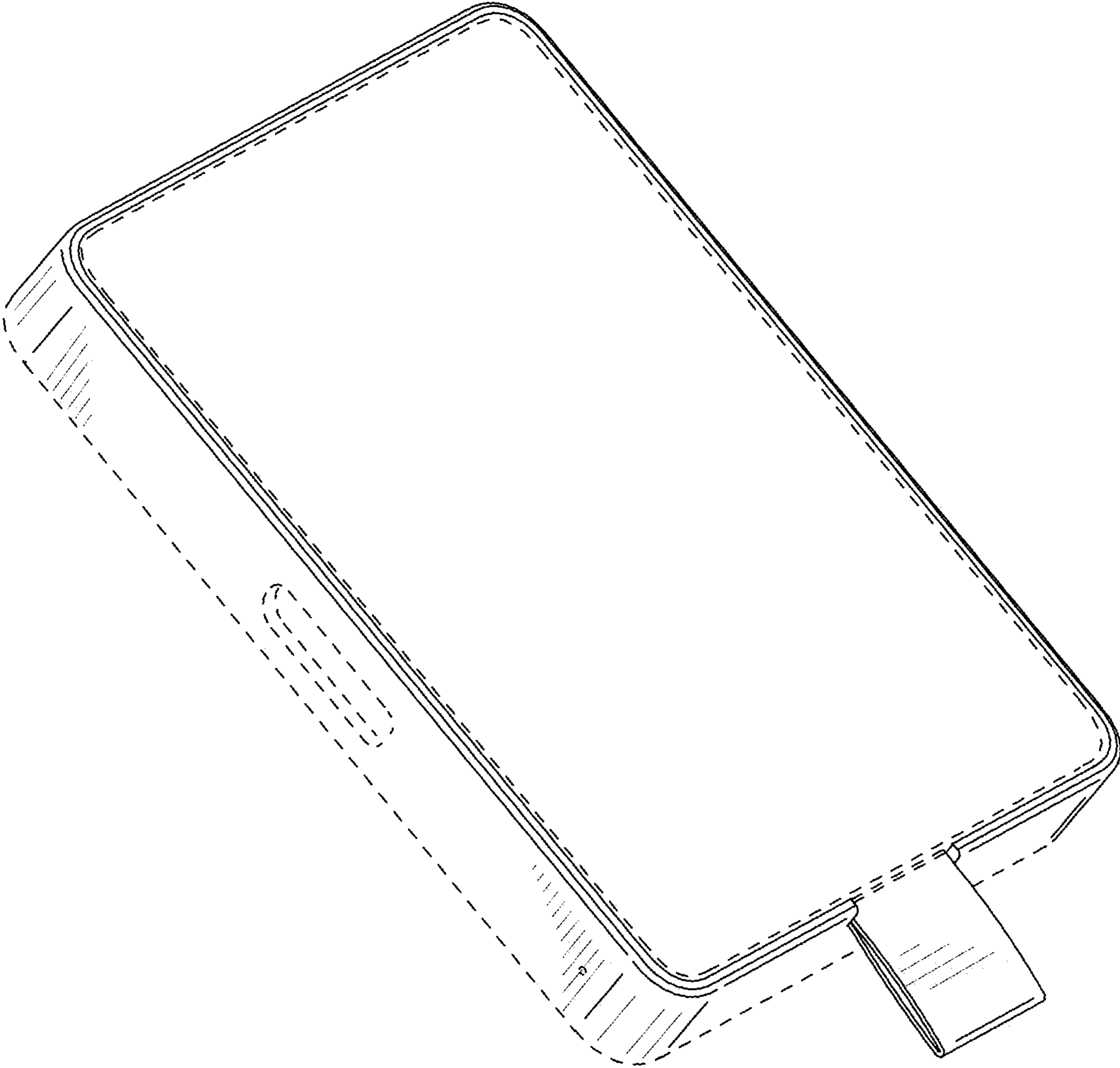


Fig. 9

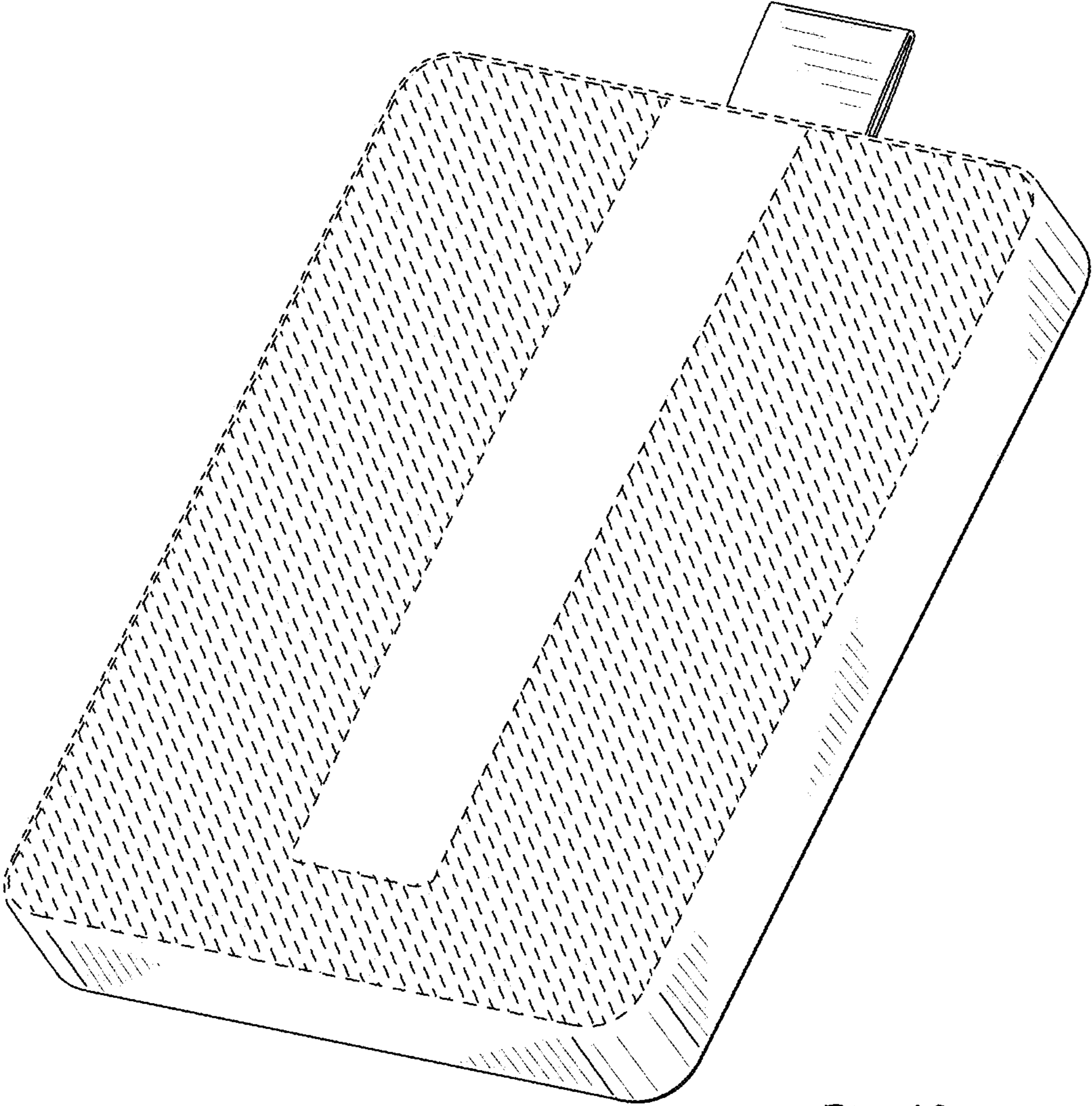


Fig. 10

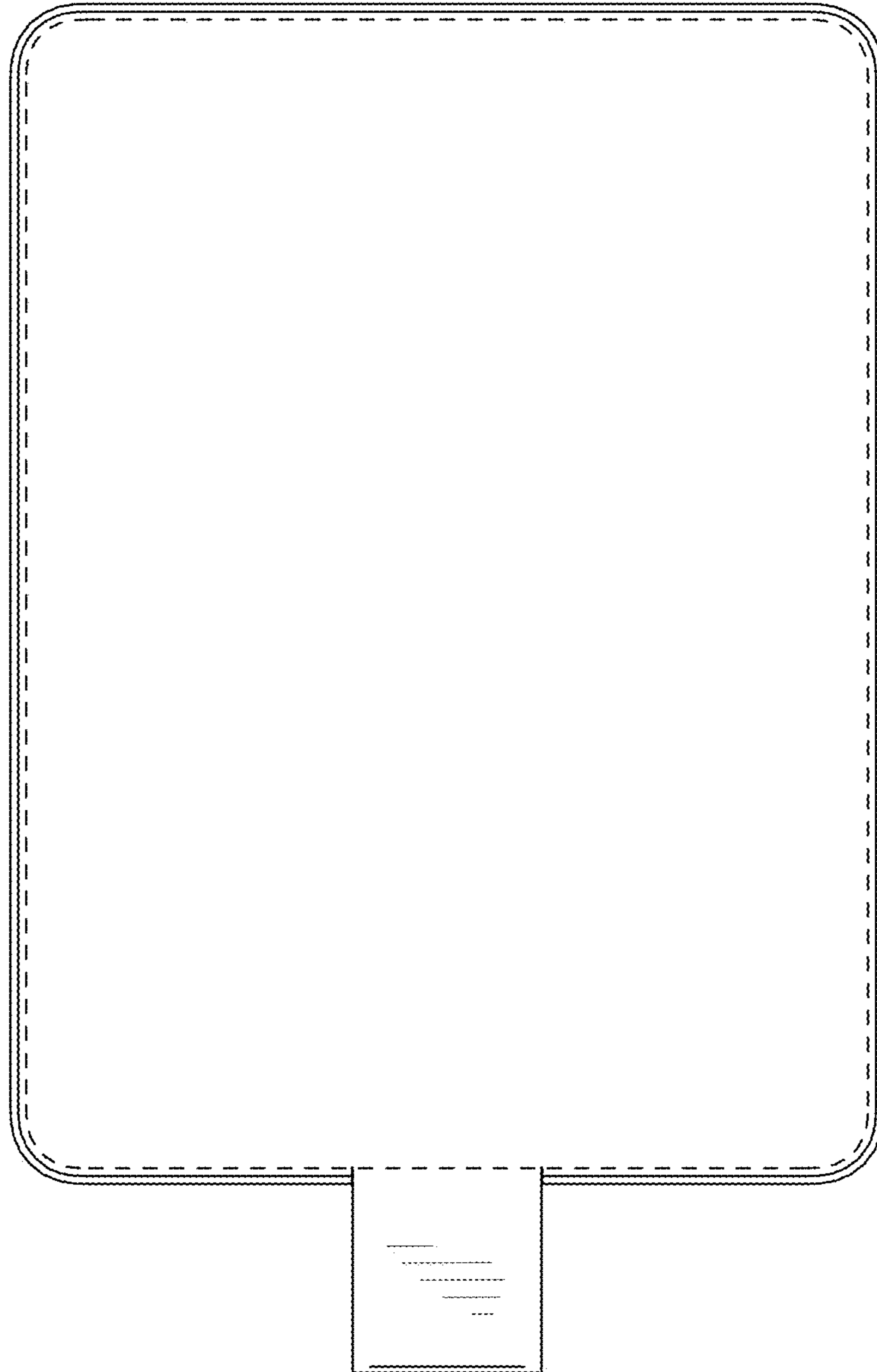


Fig. 11

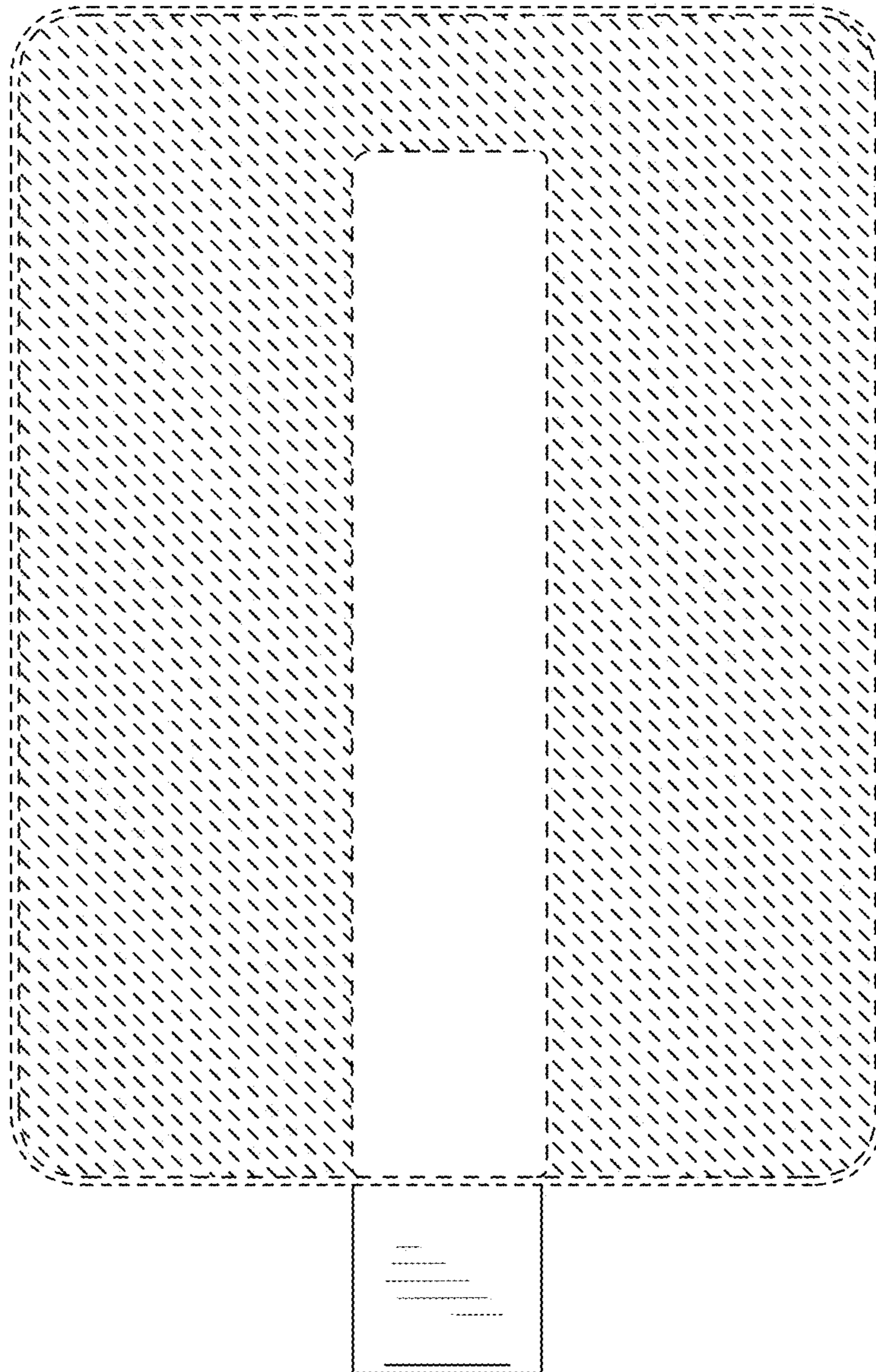


Fig. 12

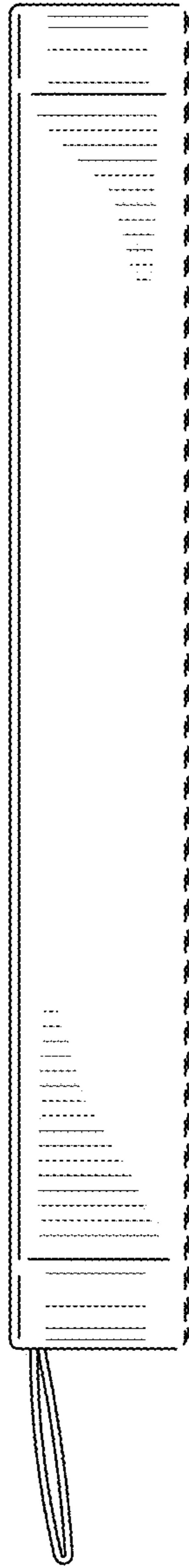


Fig. 13

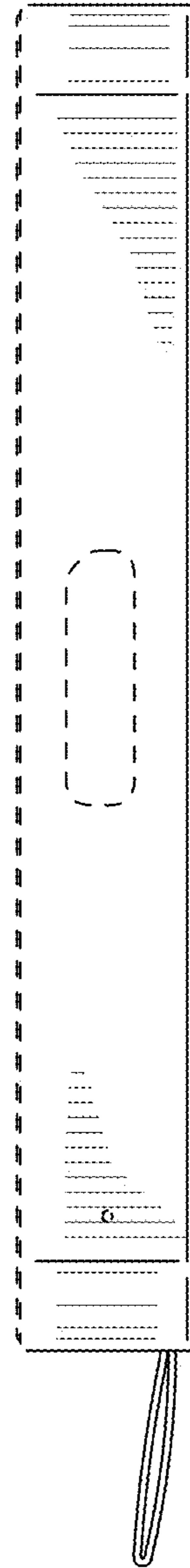


Fig. 14



Fig. 15

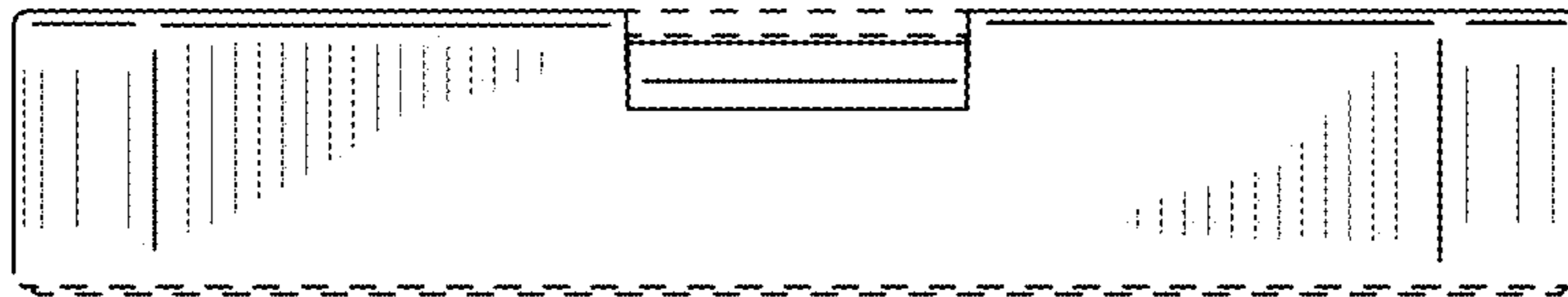


Fig. 16

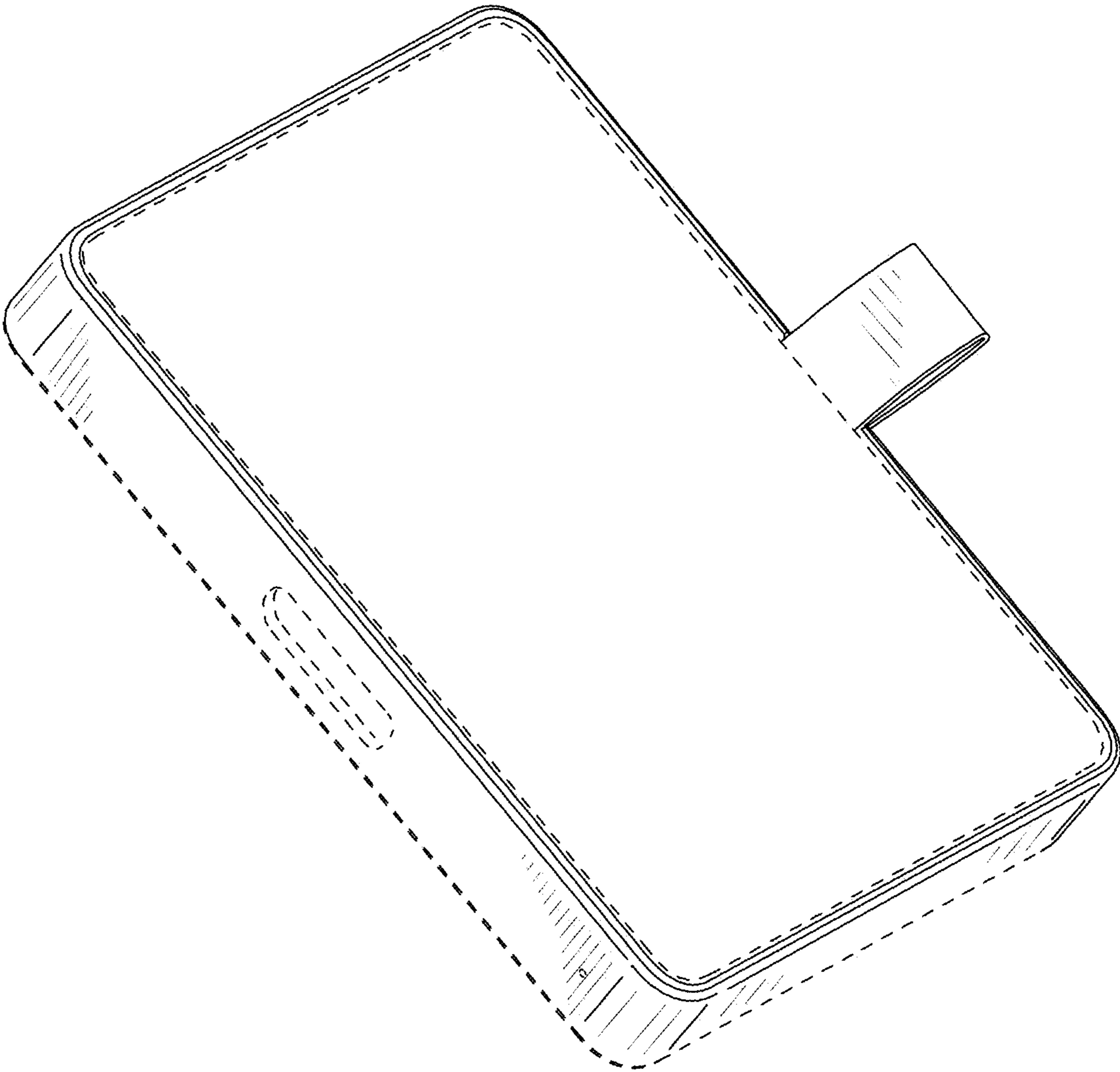


Fig. 17

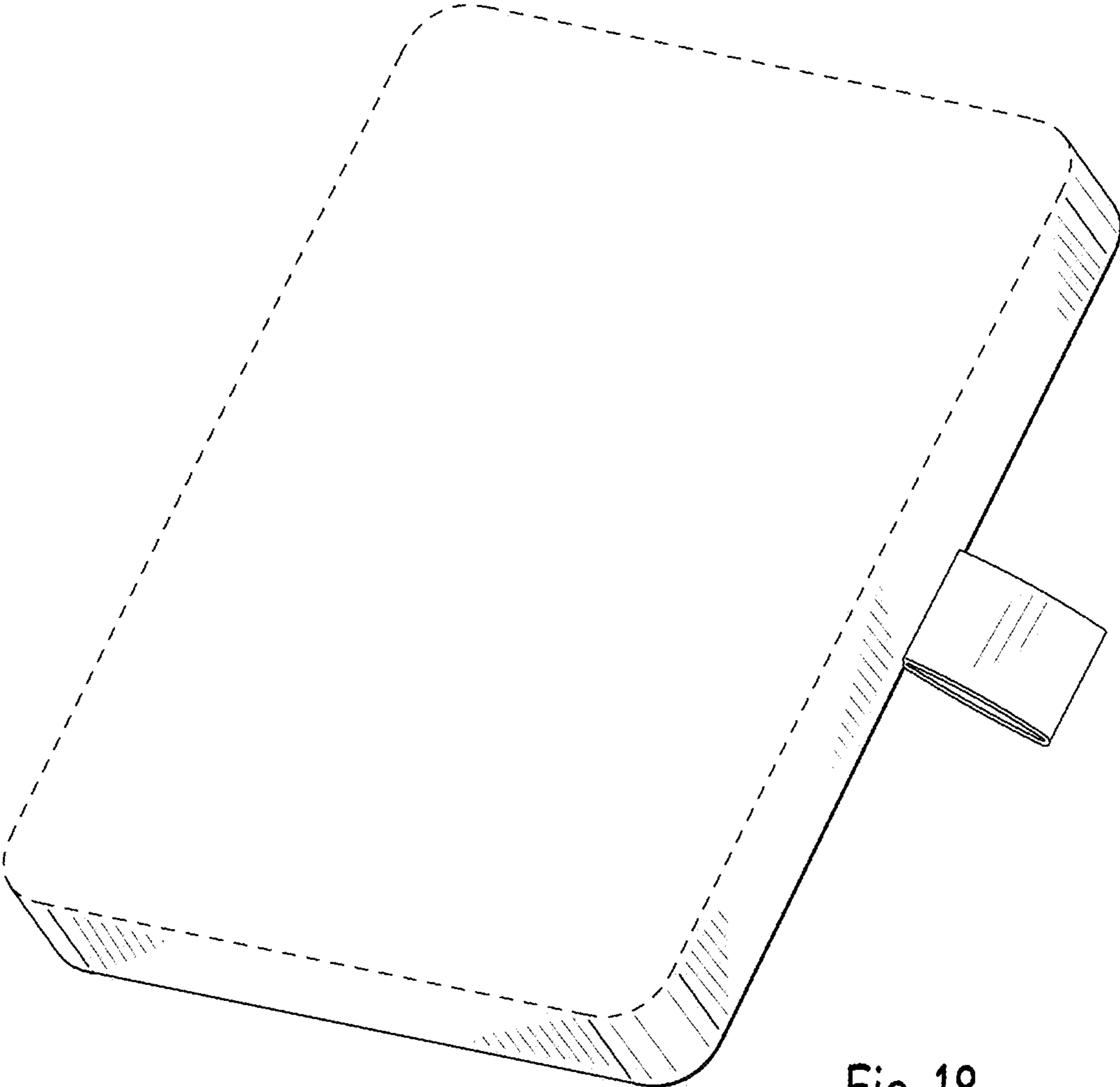


Fig. 18

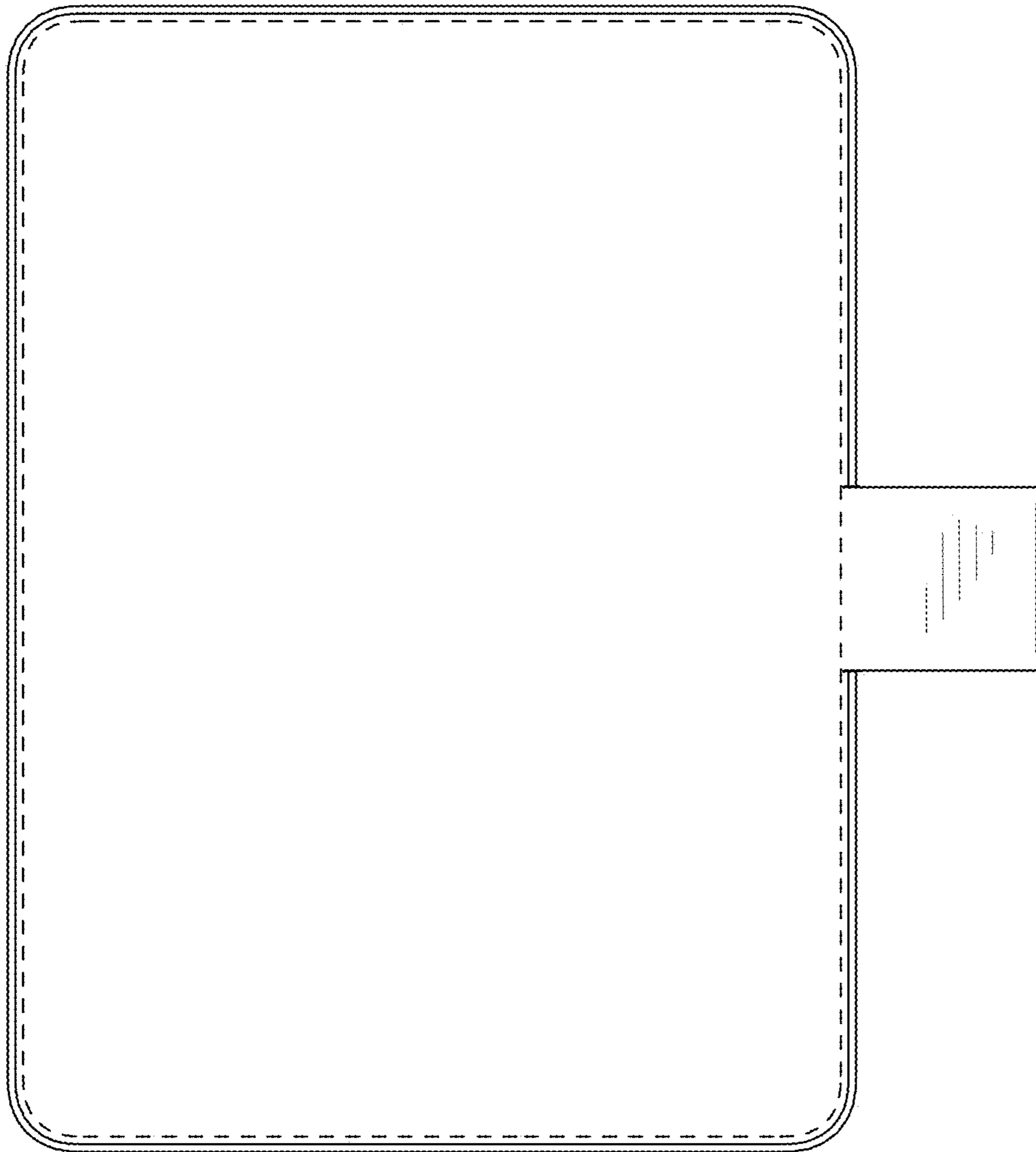


Fig. 19

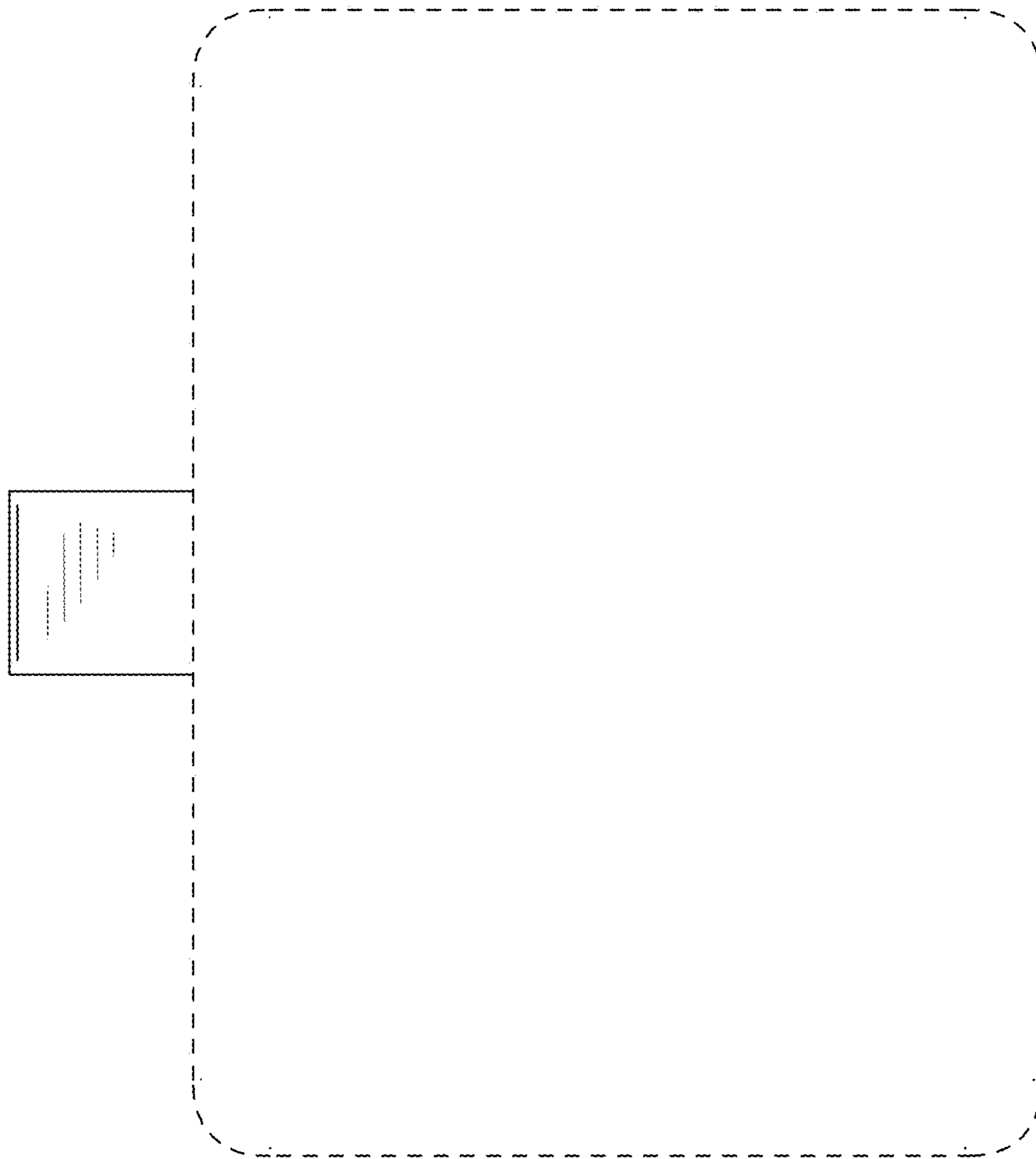


Fig. 20

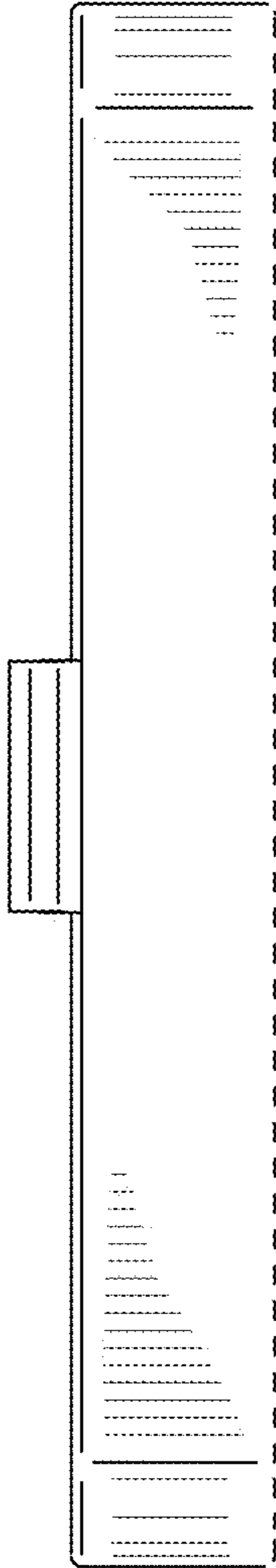


Fig. 21

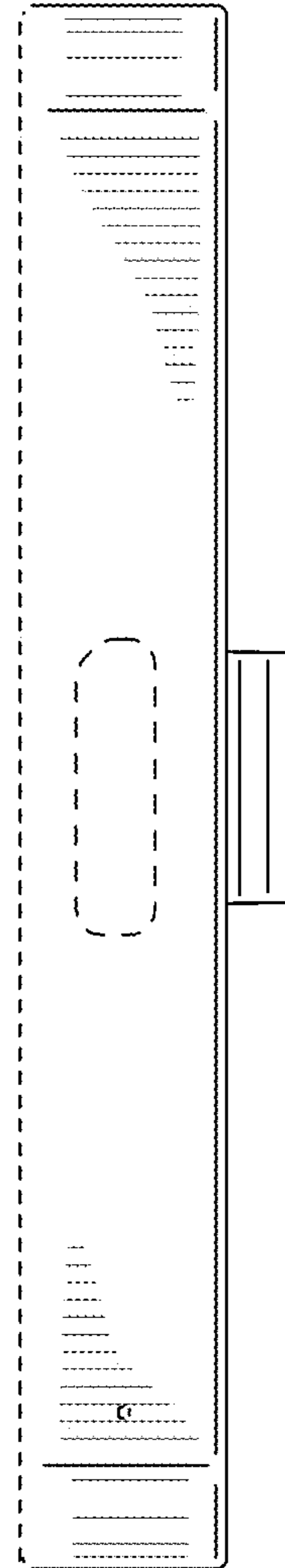


Fig. 22

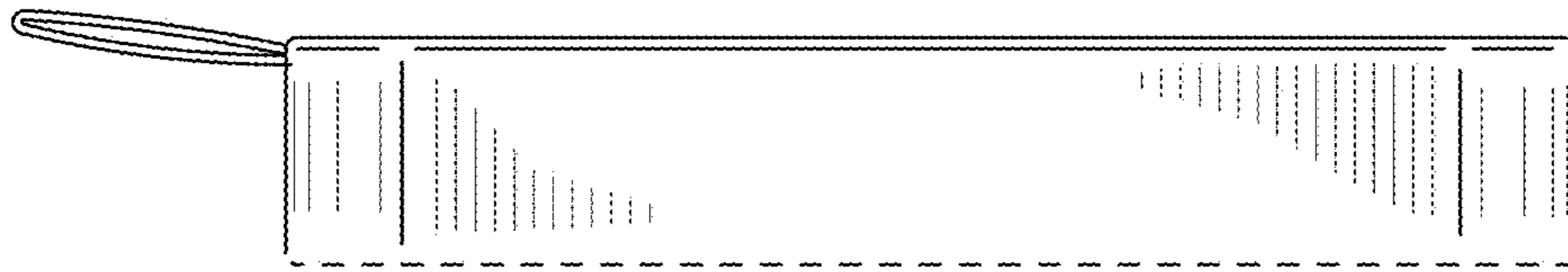


Fig. 23

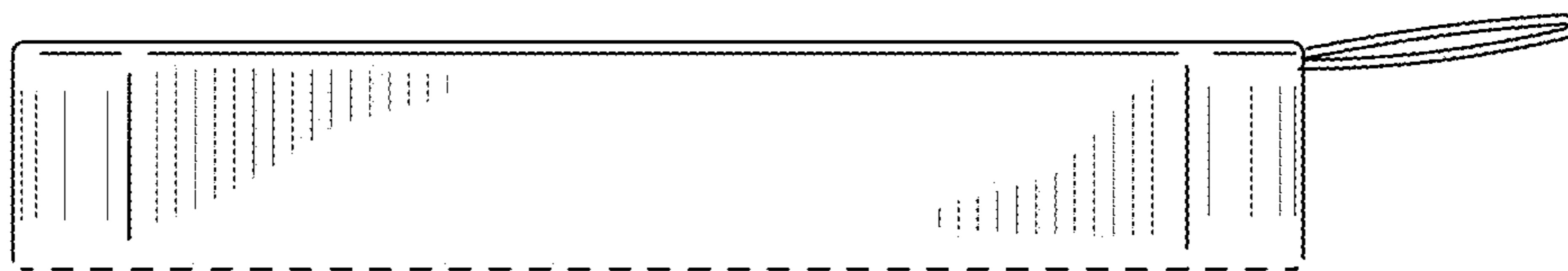


Fig. 24

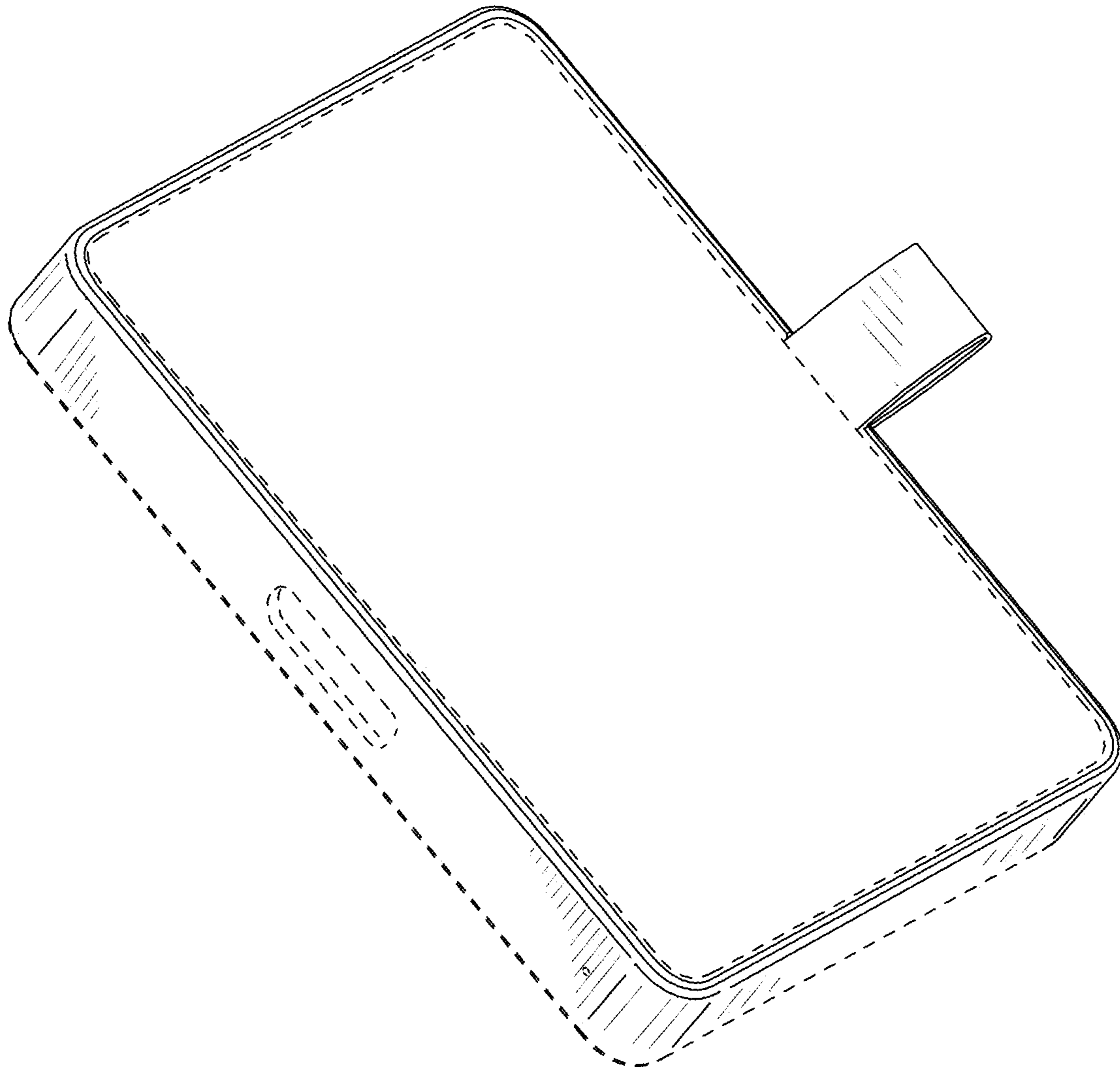


Fig. 25

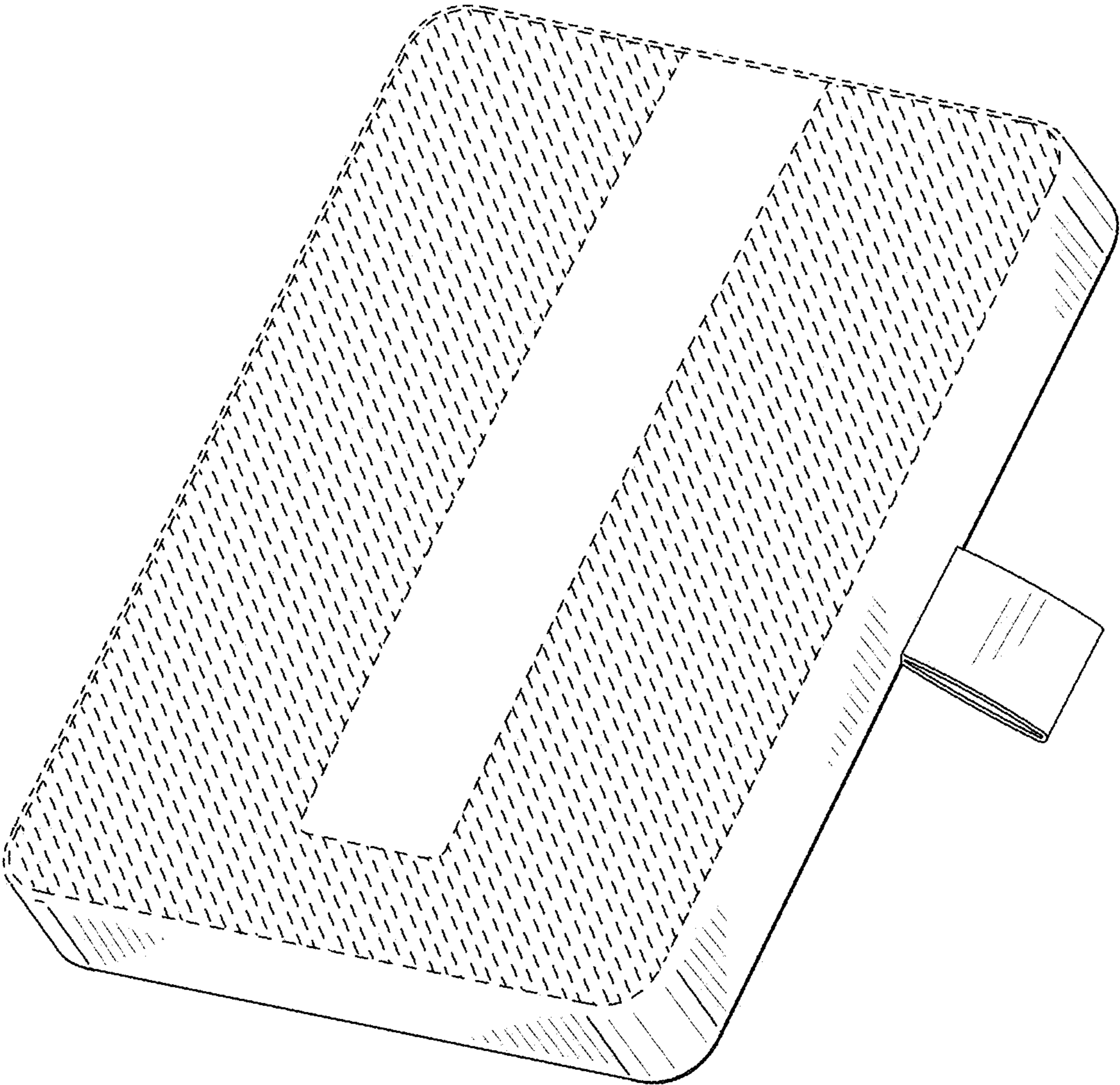


Fig. 26

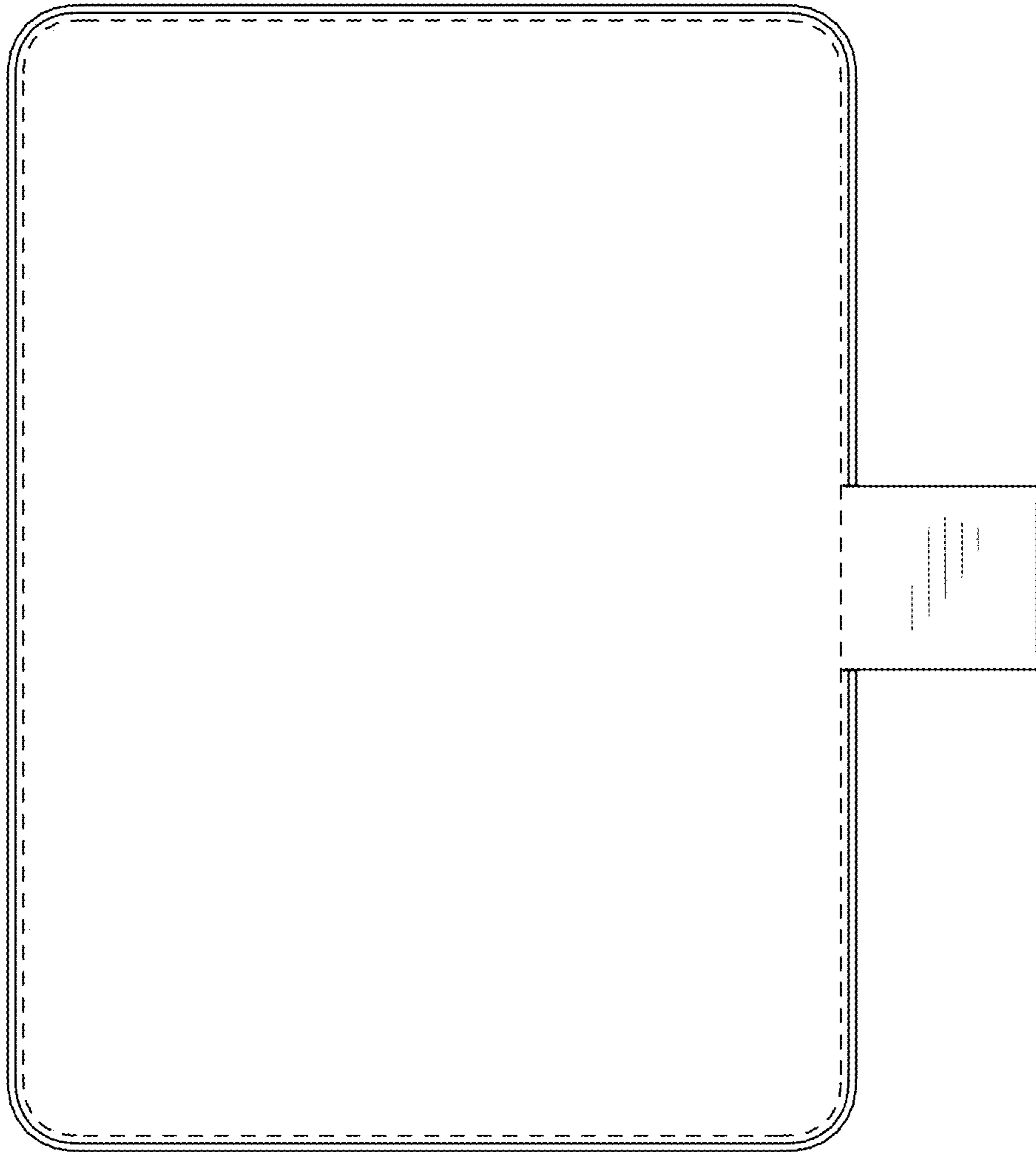


Fig. 27

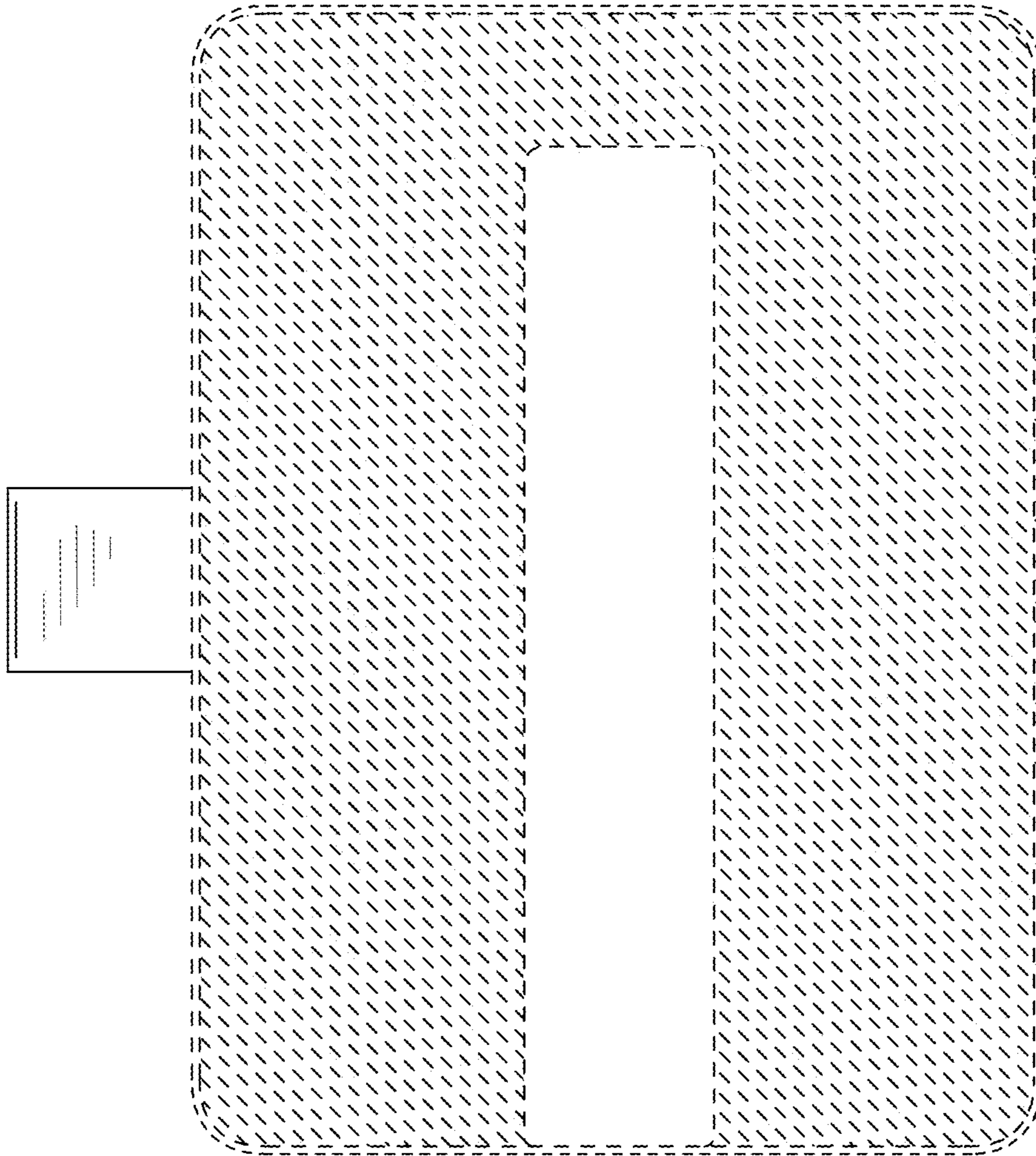


Fig. 28

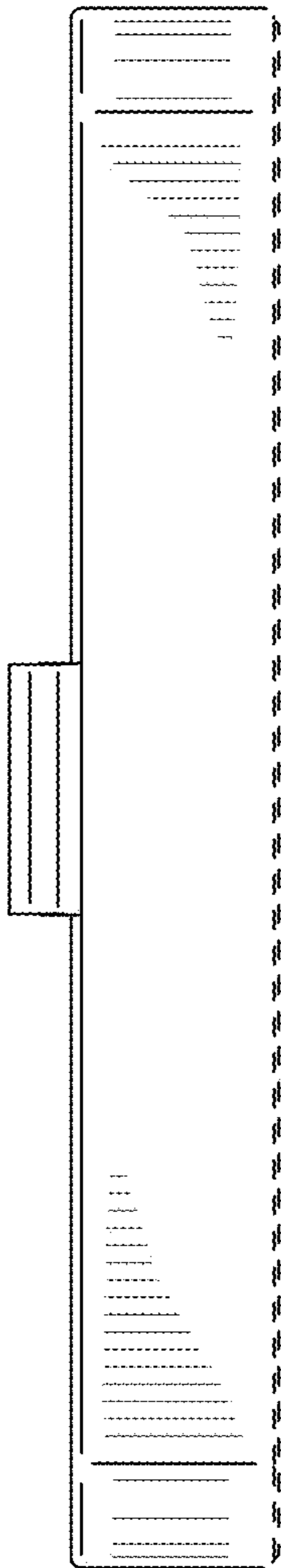


Fig. 29

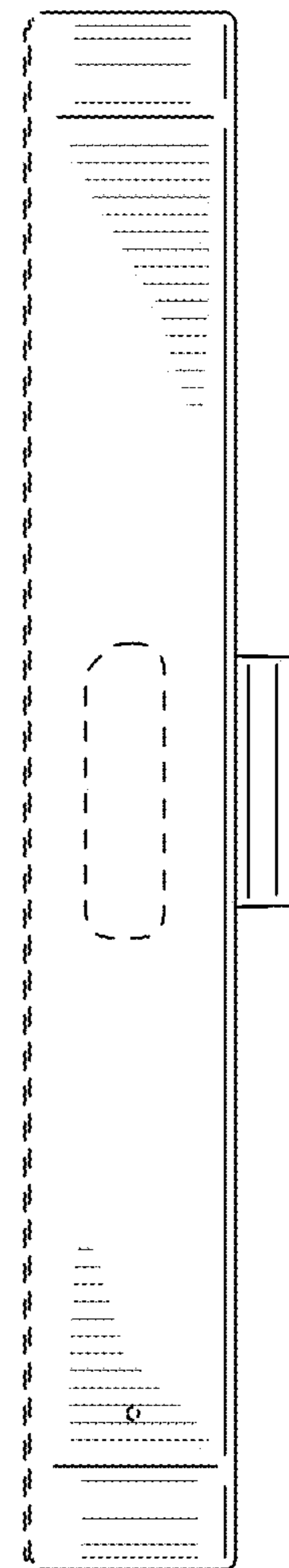


Fig. 30

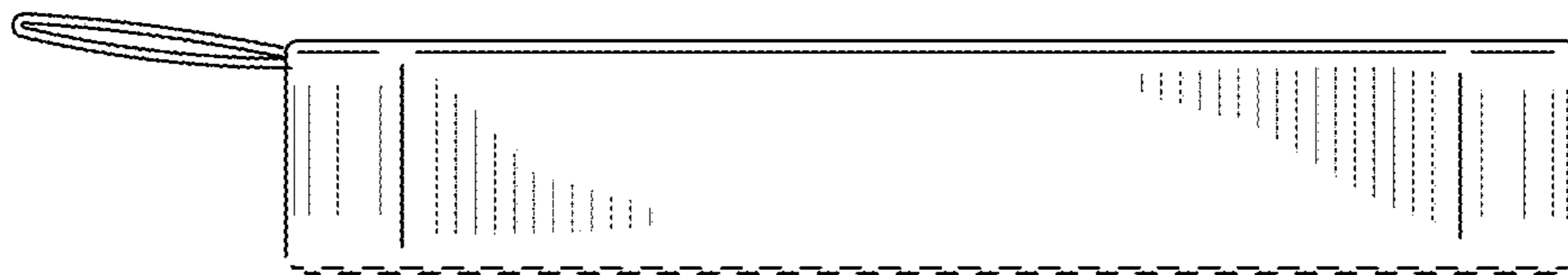


Fig. 31

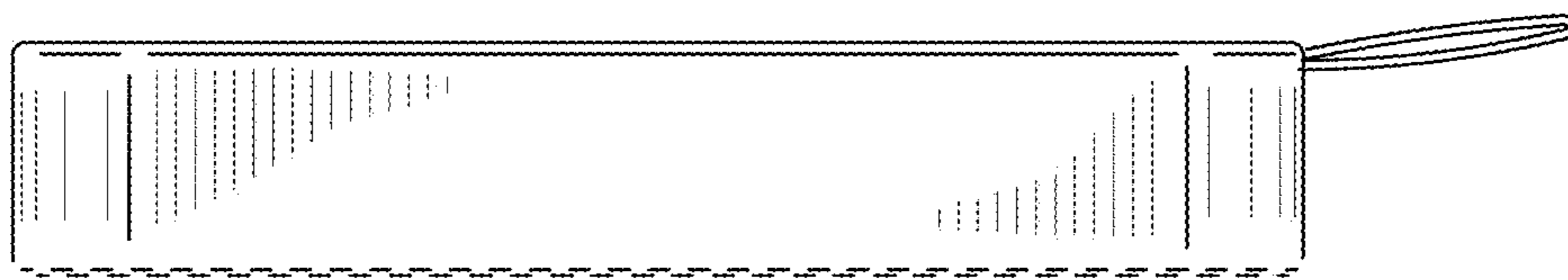


Fig. 32