



US00D935450S

(12) **United States Design Patent** (10) **Patent No.:** **US D935,450 S**
Lee (45) **Date of Patent:** **** Nov. 9, 2021**

(54) **STAND FOR ELECTRONIC DEVICES**
(71) Applicant: **elago CO. LTD**, Goyang-si (KR)
(72) Inventor: **Chanwoo Lee**, Goyang-si (KR)
(73) Assignee: **elago CO. LTD**, Goyang-si (KR)
(**) Term: **15 Years**

D872,016 S 1/2020 Liao
D872,691 S * 1/2020 Liao D13/108
D883,201 S 5/2020 Chen
D883,202 S * 5/2020 Edwards D13/108
D886,058 S 6/2020 Yoon
D887,977 S 6/2020 Weinstein et al.
D888,661 S 6/2020 Yoon
D900,737 S * 11/2020 Hsu D13/108
(Continued)

(21) Appl. No.: **29/766,479**
(22) Filed: **Jan. 15, 2021**
(51) **LOC (13) Cl.** **14-03**
(52) **U.S. Cl.**
USPC **D14/253**; D13/108
(58) **Field of Classification Search**
USPC D14/251-253, 440, 447, 217; D12/415;
D3/218; D13/108; D6/310
CPC H04M 1/04; H04M 1/21; H04M 1/0266;
F16M 13/00; F16M 11/041; B60R
11/0241; B60R 11/0252; B60R
2011/0059; B60R 2011/0063; B60R
2011/0005; B60R 2011/0003; B60R
2011/0078; H02J 7/0027; H02J 2310/22;
A45F 2200/0516; A45F 5/00; A45F
2200/0525; A45F 5/10; A45C 2011/002;
G03B 17/561; G03B 27/582; A47B
97/04; G09F 1/00
See application file for complete search history.

FOREIGN PATENT DOCUMENTS

CN 304838911 10/2018
CN 304945734 12/2018
(Continued)

Primary Examiner — Janice Hallmark
(74) *Attorney, Agent, or Firm* — Paratus Law Group,
PLLC

(57) **CLAIM**

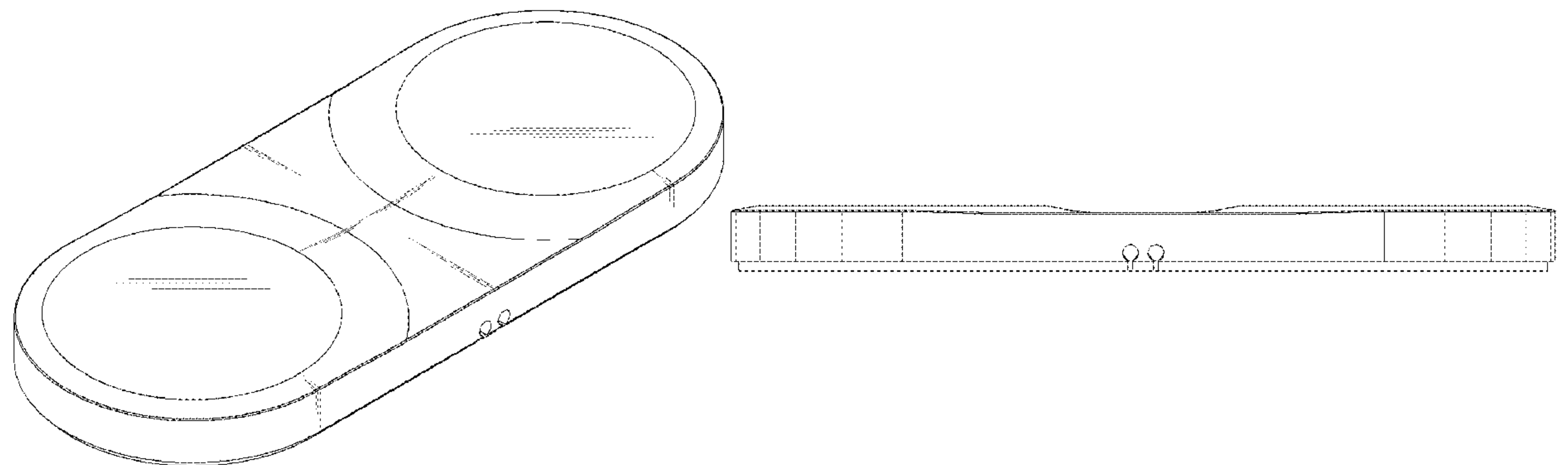
The ornamental design for a stand for electronic devices, as shown and described.

DESCRIPTION

FIG. 1 is a front, top, and left-side perspective view of a stand for electronic devices showing my new design;
FIG. 2 is a front view thereof;
FIG. 3 is a back view thereof;
FIG. 4 is a left-side view thereof;
FIG. 5 is a right-side view thereof;
FIG. 6 is a top view thereof;
FIG. 7 is a bottom view thereof;
FIG. 8 is a front, bottom, and left-side perspective view thereof; and,
FIG. 9 is a front, top, and left-side perspective view thereof in use.
The broken lines shown in FIGS. 7 and 8 depict parts of the stand for electronic devices and form no part of the claimed design. The broken lines shown in FIG. 9 depict environment and form no part of the claimed design.

1 Claim, 5 Drawing Sheets

(56) **References Cited**
U.S. PATENT DOCUMENTS
D611,408 S 3/2010 Ferber et al.
D676,377 S * 2/2013 Nokuo D13/108
D682,199 S * 5/2013 Rautiainen D13/108
D731,967 S * 6/2015 Tuhkanen D13/108
D736,706 S 8/2015 Huang et al.
D827,568 S * 9/2018 Turksu D13/108
D847,741 S 5/2019 Hu
D856,926 S 8/2019 Yoon
D870,658 S 12/2019 Woo



(56)

References Cited

U.S. PATENT DOCUMENTS

D927,233 S * 8/2021 Lee D6/682
2019/0239682 A1* 8/2019 Lee A47J 36/2472

FOREIGN PATENT DOCUMENTS

CN	305080842	3/2019
CN	305801158	5/2020
CN	305819497	6/2020
CN	305819498	6/2020
CN	305850937	6/2020
CN	305886592	6/2020
CN	306203334	12/2020
EM	005278546-0001	6/2018
JP	D1672459	11/2020

* cited by examiner

FIG. 1

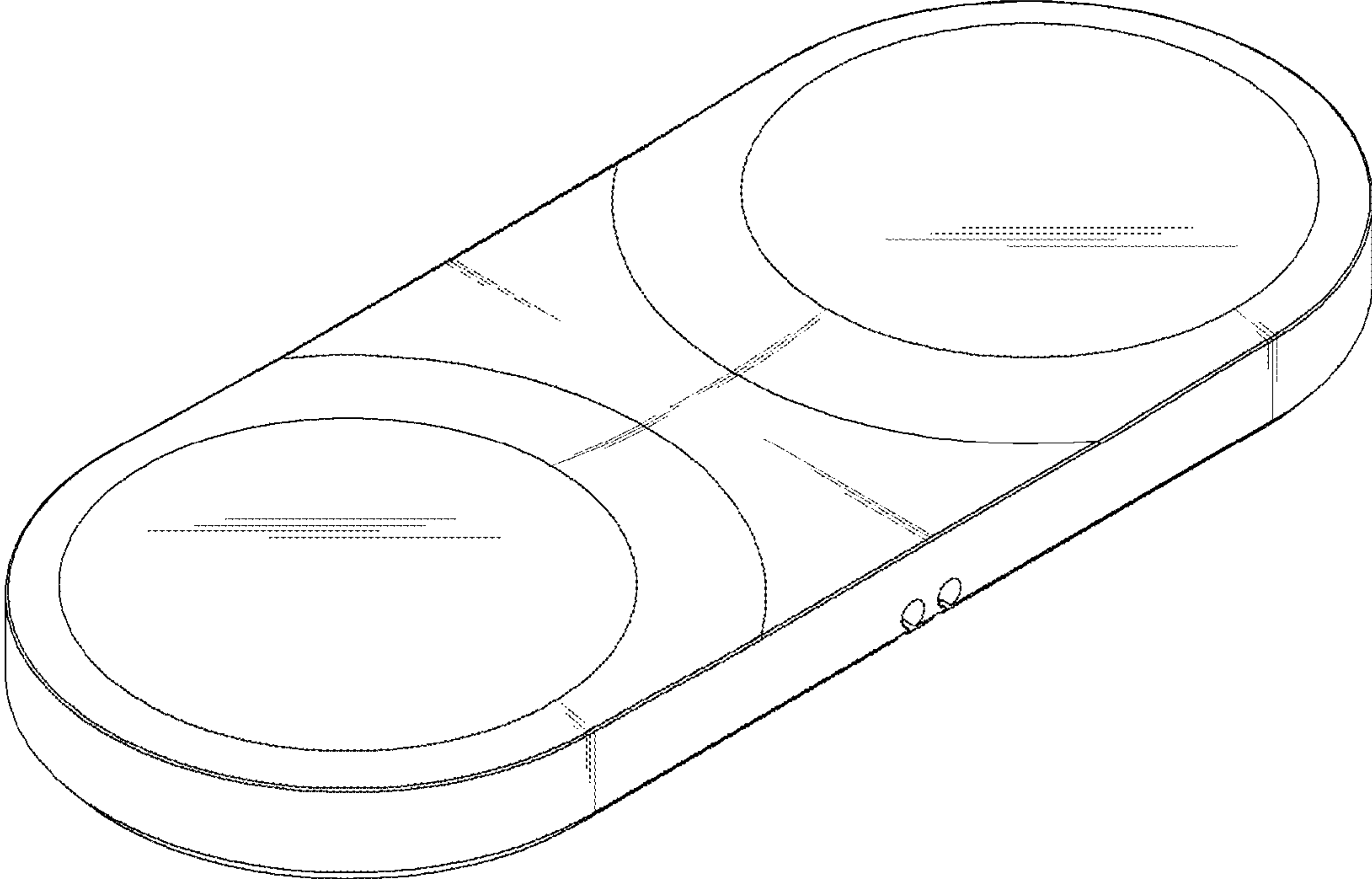


FIG. 2

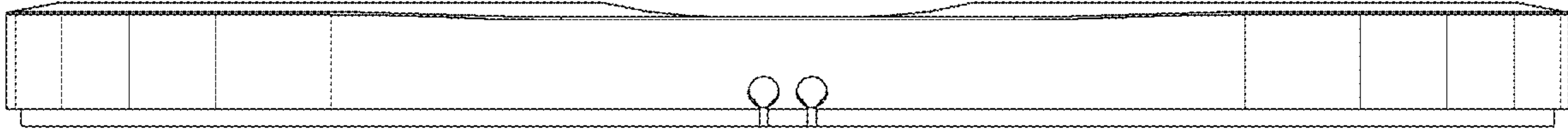


FIG. 3

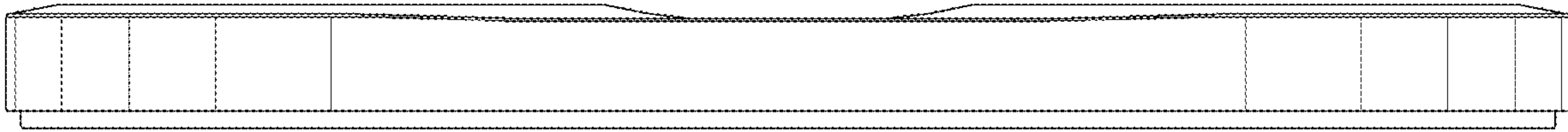


FIG. 4



FIG. 5

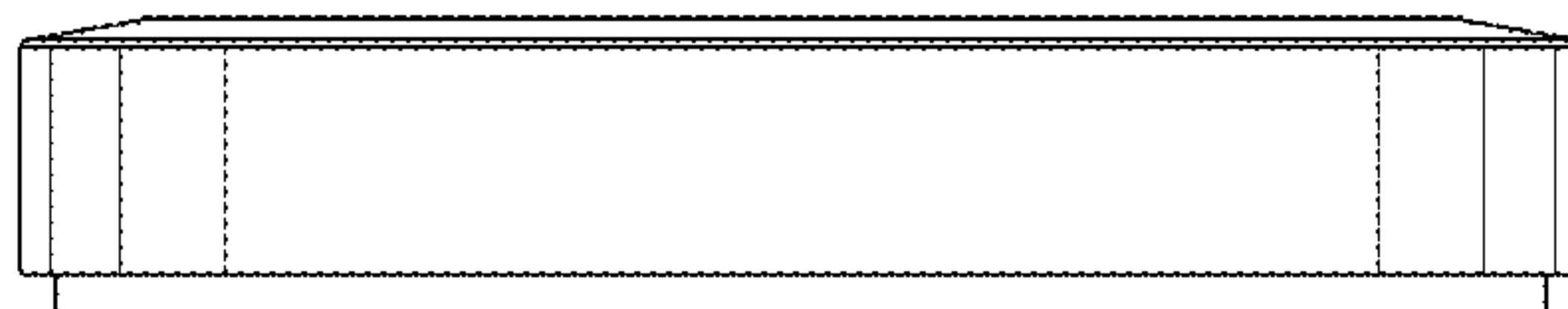


FIG. 6

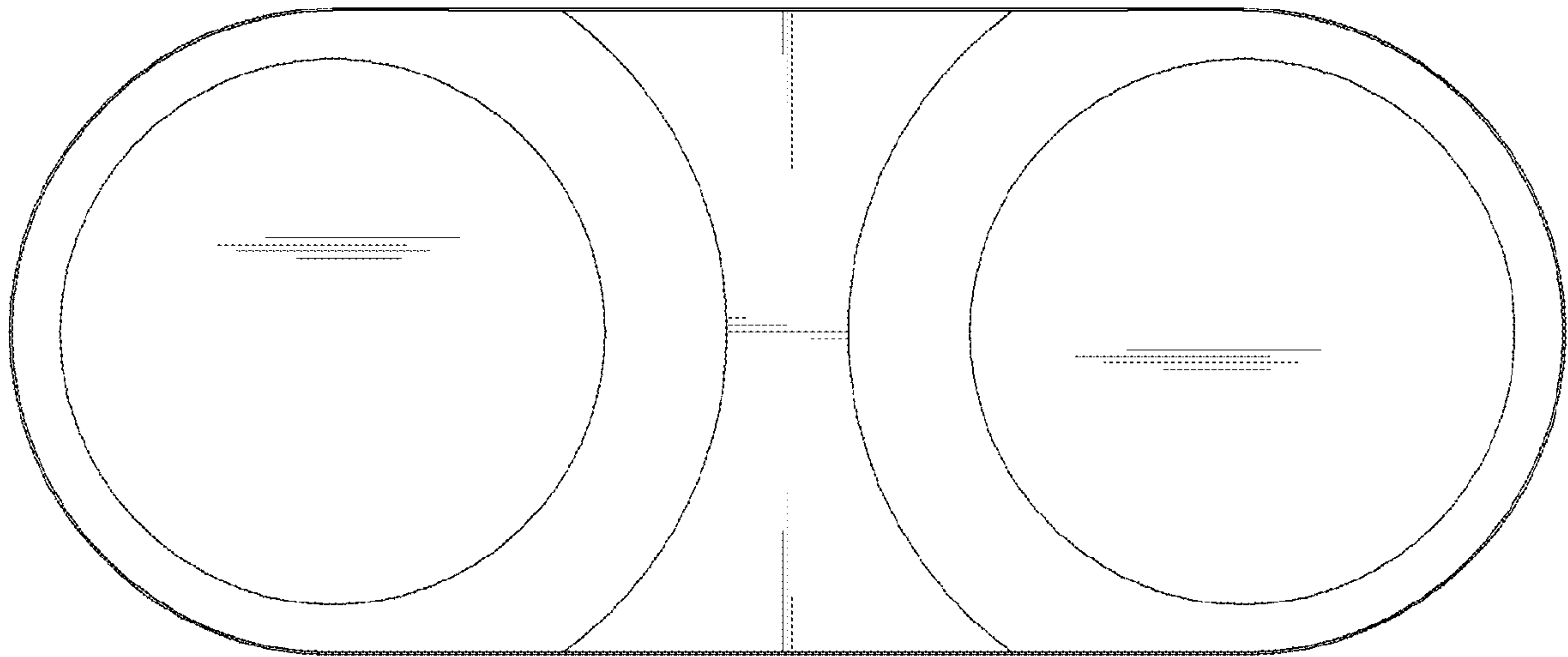


FIG. 7

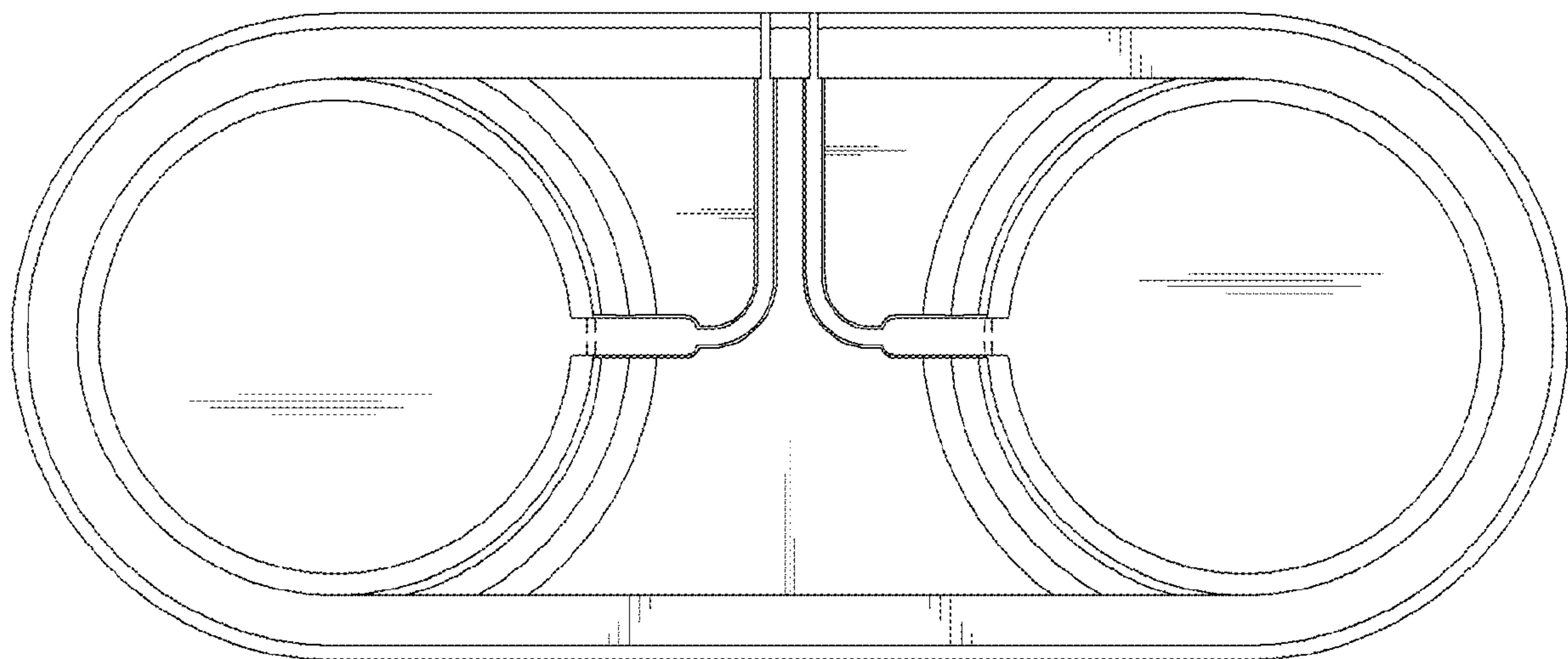


FIG. 8

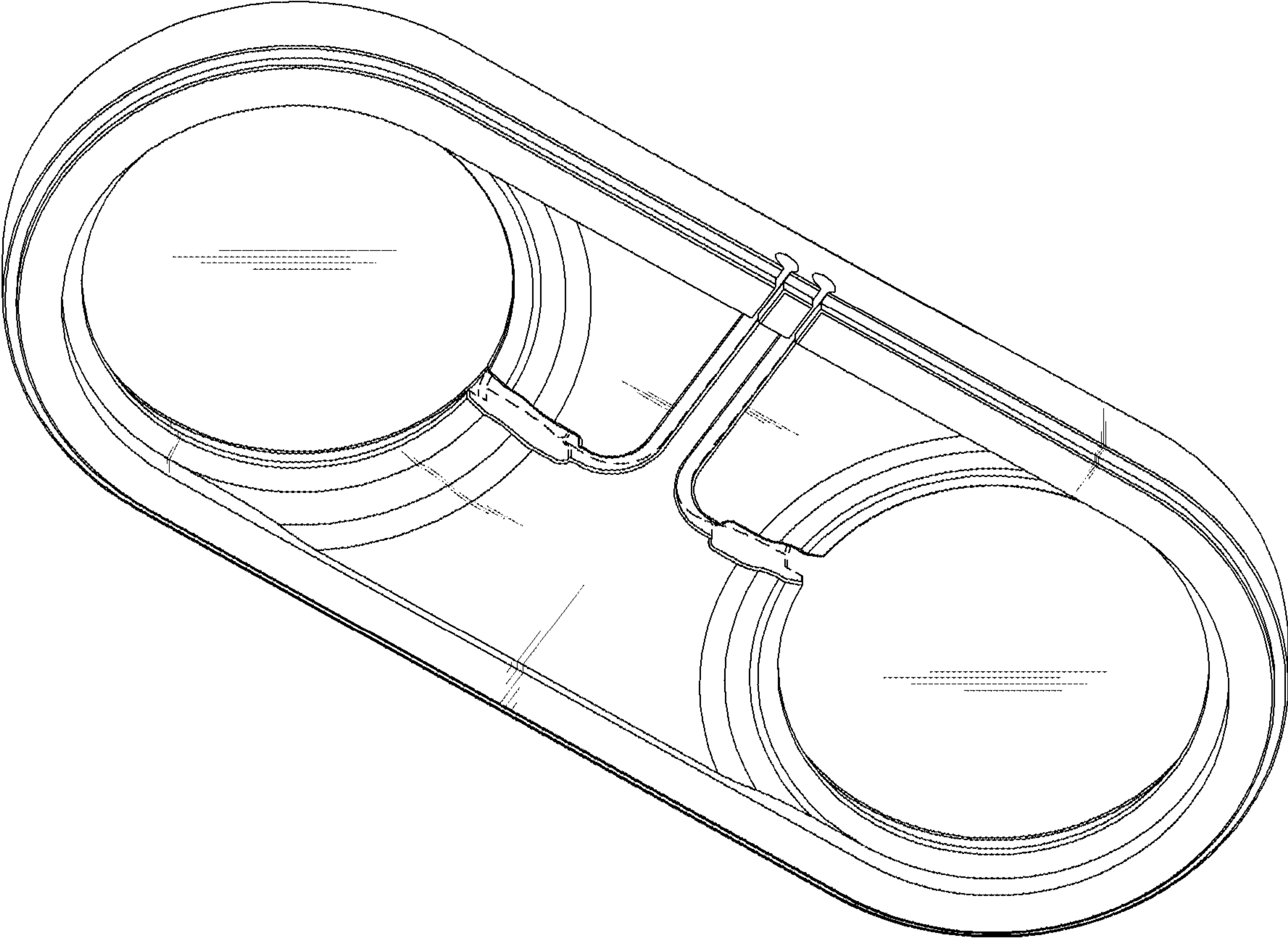


FIG. 9

