



US00D935449S

(12) **United States Design Patent** (10) **Patent No.:** **US D935,449 S**
Huang (45) **Date of Patent:** **** Nov. 9, 2021**

(54) **WATERPROOF PHONE HOLDER**
(71) Applicant: **Unidentified Solutions (Shenzhen) Technology Co., Ltd., Shenzhen (CN)**
(72) Inventor: **Junwei Huang, Shenzhen (CN)**
(**) Term: **15 Years**
(21) Appl. No.: **29/766,202**
(22) Filed: **Jan. 14, 2021**
(51) **LOC (13) Cl.** **14-03**
(52) **U.S. Cl.**
USPC **D14/253; D14/250**
(58) **Field of Classification Search**
USPC D14/251–253, 250, 447, 217; D3/218;
D16/204, 242–244; D12/415; D8/354,
D8/363, 373, 380
CPC A47B 21/04; A47B 2097/006; A47B
2097/005; A47B 2023/49; A45C
2011/002; A45C 2011/003; F16M
2200/00; F16M 13/00; F16M 11/18;
F16M 11/04
See application file for complete search history.

(56) **References Cited**
U.S. PATENT DOCUMENTS
D265,829 S * 8/1982 Shimoda D16/204
D419,296 S * 1/2000 Shinano D16/204
D453,177 S * 1/2002 Uehara D16/202
D539,530 S * 4/2007 Sanderson D3/218
D647,554 S * 10/2011 Yim D16/204
D699,947 S * 2/2014 To D3/294
D700,778 S * 3/2014 To D3/294
D704,929 S 5/2014 Chu
D710,611 S * 8/2014 To D3/294
D712,389 S * 9/2014 Namminga D14/250
D712,390 S * 9/2014 Namminga D14/250
D728,548 S * 5/2015 Keung D14/250
D805,773 S * 12/2017 Chen D3/294
D819,008 S * 5/2018 Satzger D14/250

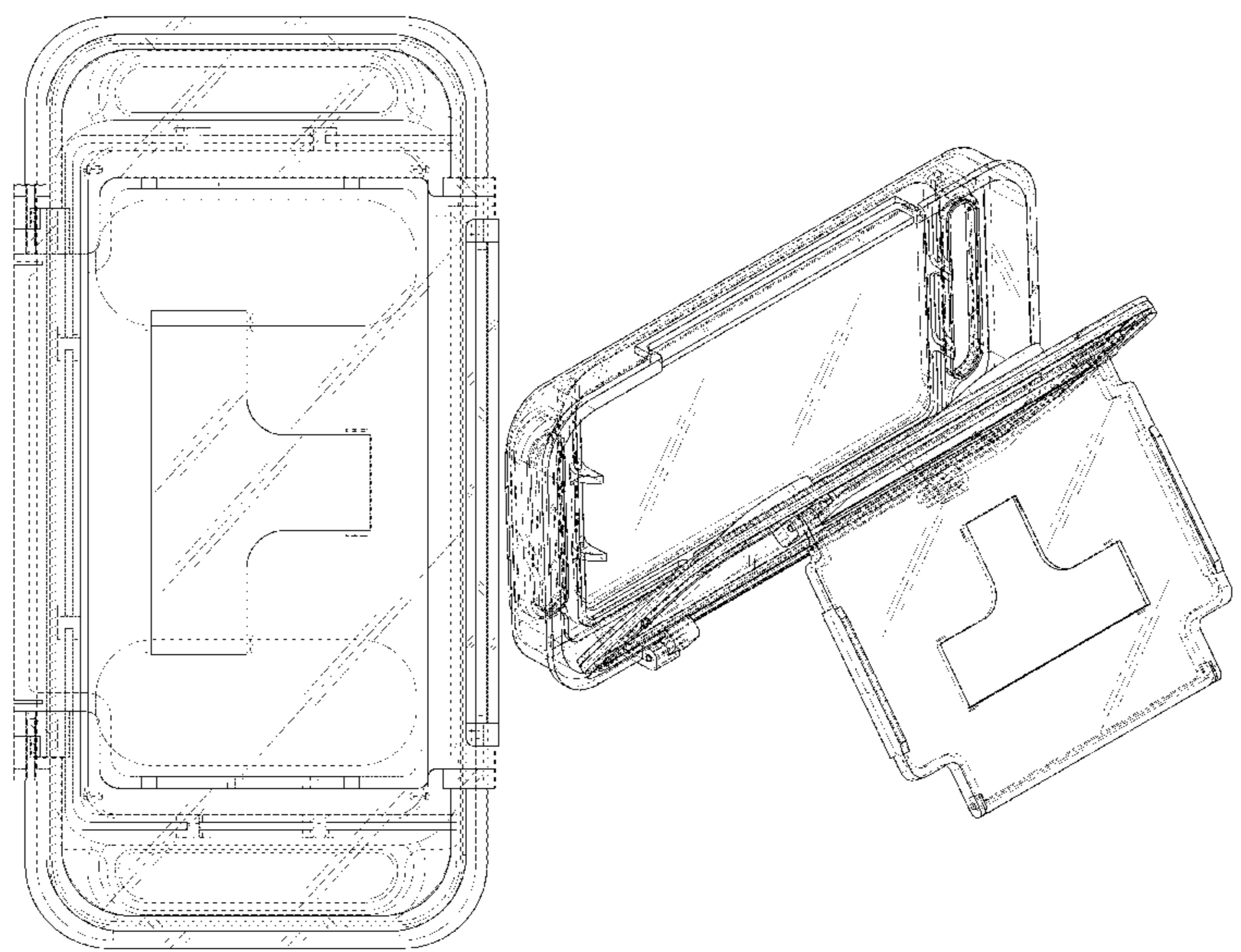
D831,637 S 10/2018 Yuan
D832,245 S * 10/2018 Jeon D14/250
D875,726 S 2/2020 Weng
D902,192 S * 11/2020 Wright D14/250
D907,020 S 1/2021 Seung et al.
D907,022 S 1/2021 Xiong
D907,048 S 1/2021 Wang
D907,617 S 1/2021 Kim et al.
D907,619 S 1/2021 Ahn
D907,620 S 1/2021 Miksch et al.
D907,625 S 1/2021 Feng
(Continued)

Primary Examiner — Janice Hallmark
(74) *Attorney, Agent, or Firm* — Rumit Ranjit Kanakia

(57) **CLAIM**
The ornamental design for a waterproof phone holder, as shown and described.

DESCRIPTION
FIG. 1 is a front elevational view of a waterproof phone holder showing my new design;
FIG. 2 is a rear elevational view thereof;
FIG. 3 is a left side view thereof;
FIG. 4 is a right side view thereof;
FIG. 5 is a top plan view thereof;
FIG. 6 is a bottom plan view thereof;
FIG. 7 is a perspective view thereof;
FIG. 8 is another front elevational view of the waterproof phone holder of FIG. 1 shown in an alternate position with the bracket portion open;
FIG. 9 is another perspective view thereof, showing the waterproof phone holder in an alternate position with the bracket portion open;
FIG. 10 is another front elevational view thereof, showing the waterproof phone holder in an alternate position with the front cover and bracket portions open; and,
FIG. 11 is another perspective view thereof, showing the waterproof phone holder in an alternate position with the front cover and bracket portions open.

1 Claim, 11 Drawing Sheets



(56)

References Cited

U.S. PATENT DOCUMENTS

D915,373 S * 4/2021 Zhou D14/250
2019/0215444 A1 * 7/2019 Deng H04N 5/2252
2021/0086881 A1 * 3/2021 Wang B63C 11/02

* cited by examiner

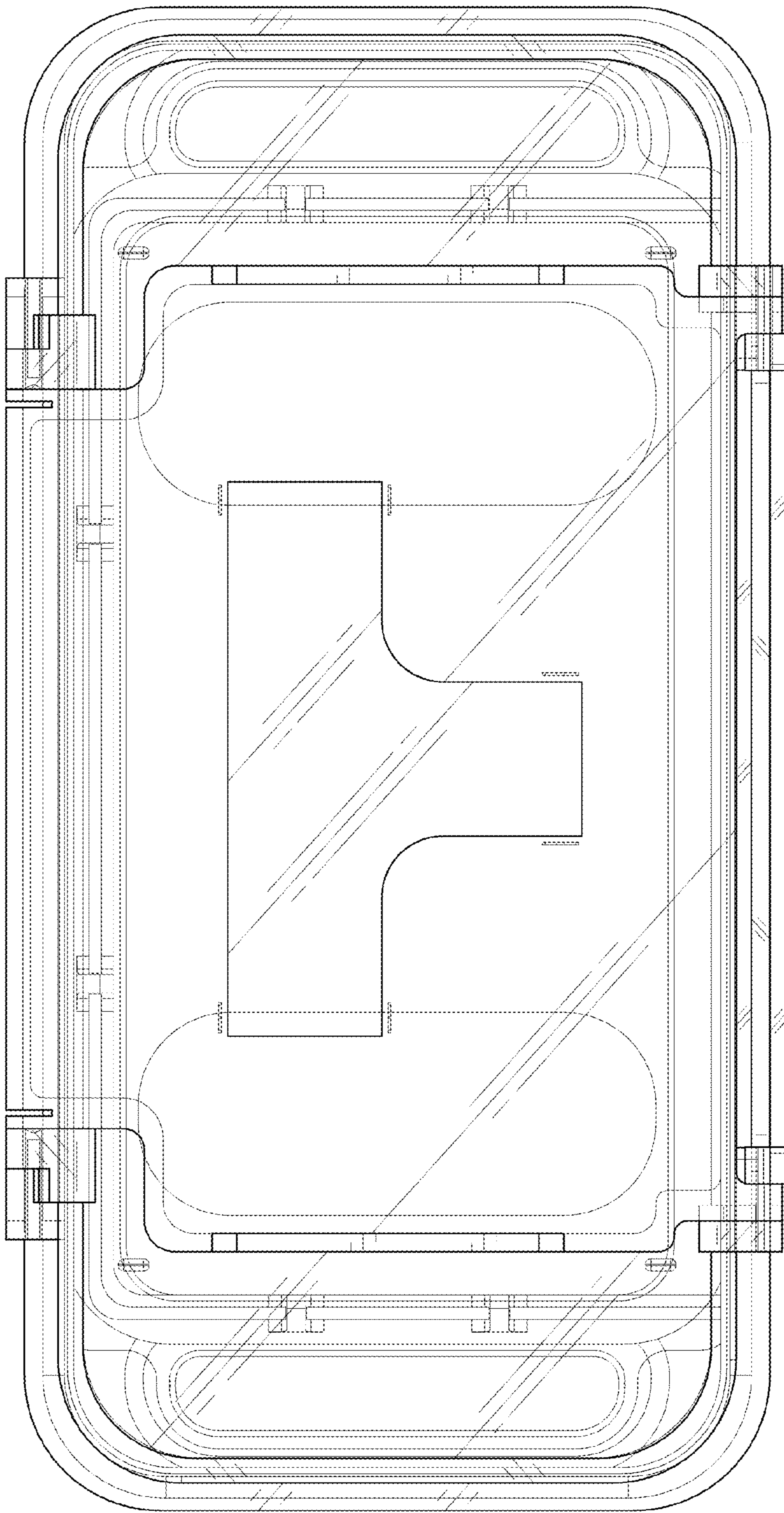


Fig. 1

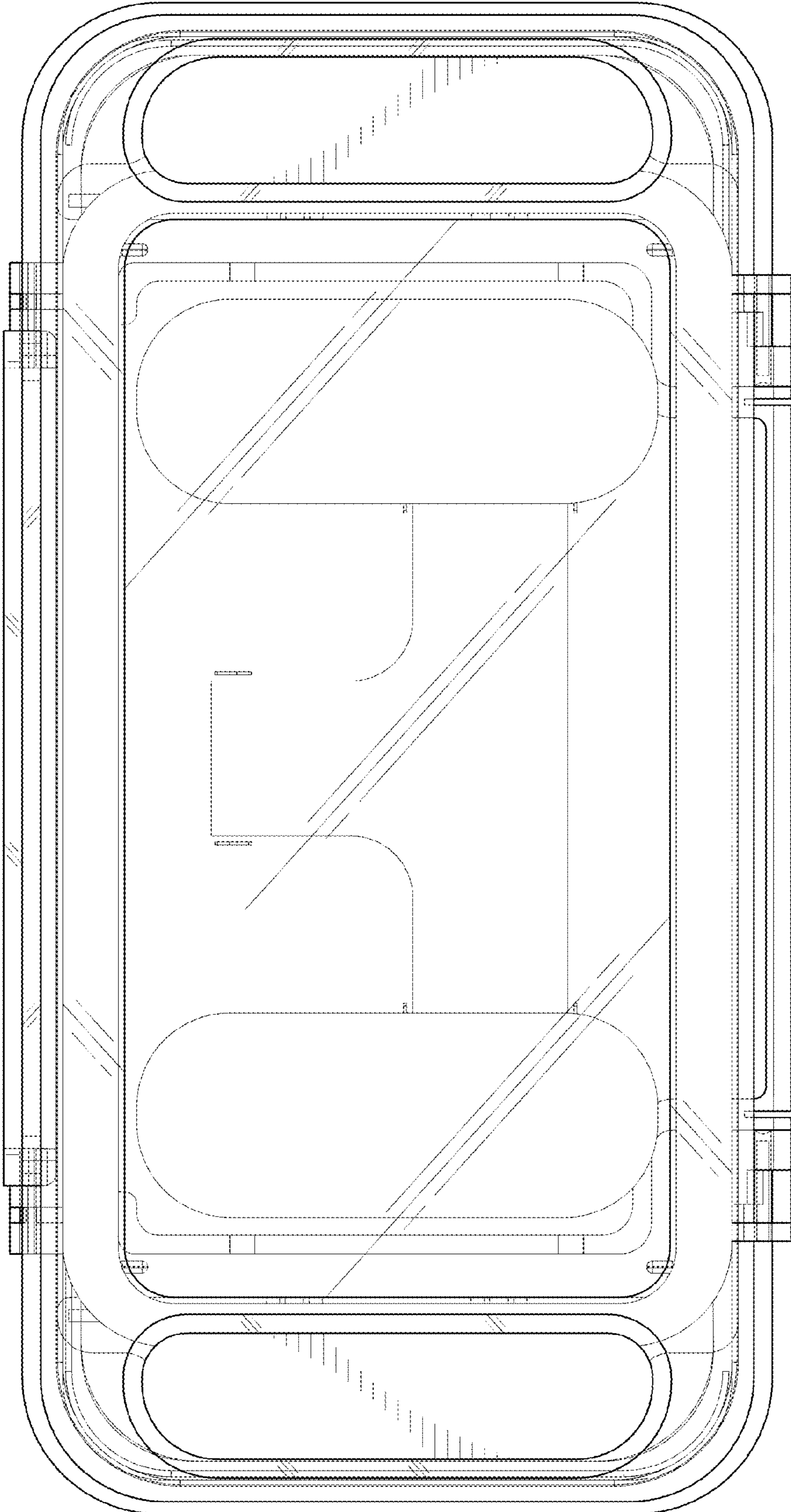


Fig. 2

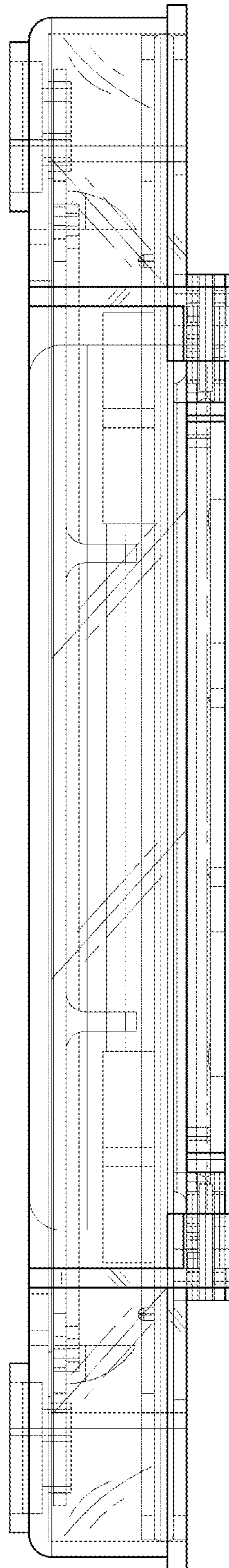


Fig. 3

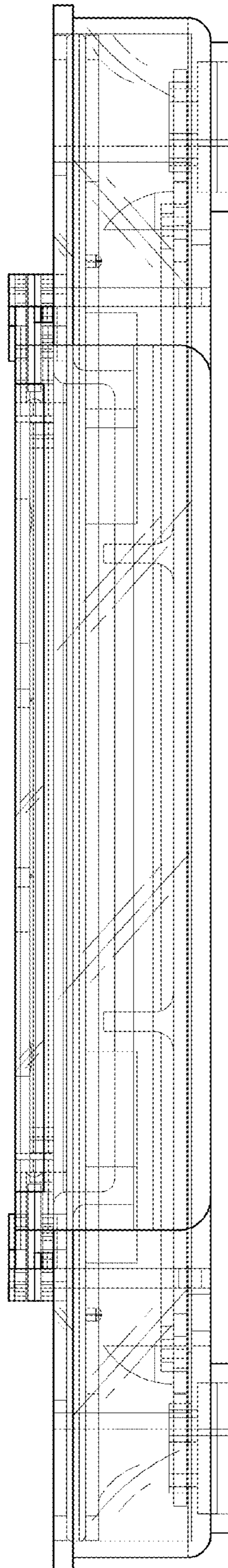


Fig. 4

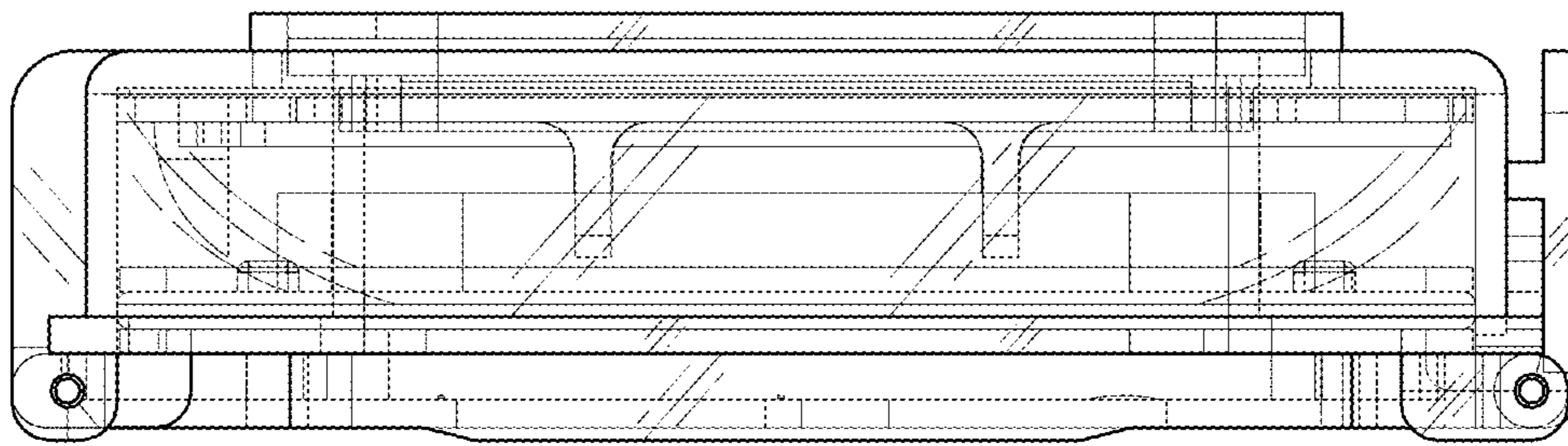


Fig. 5

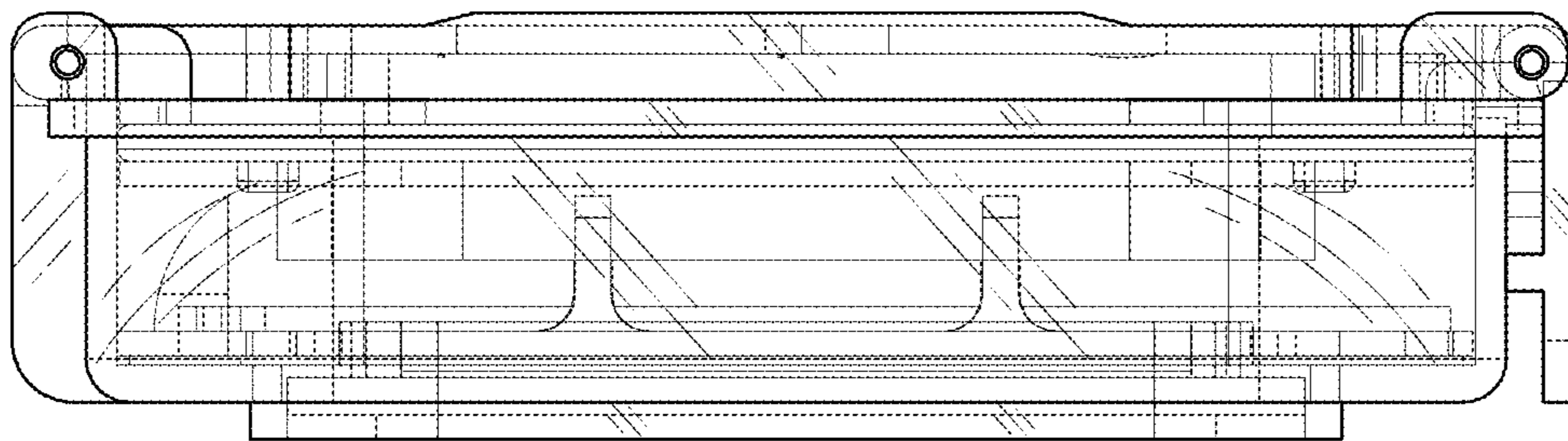


Fig. 6

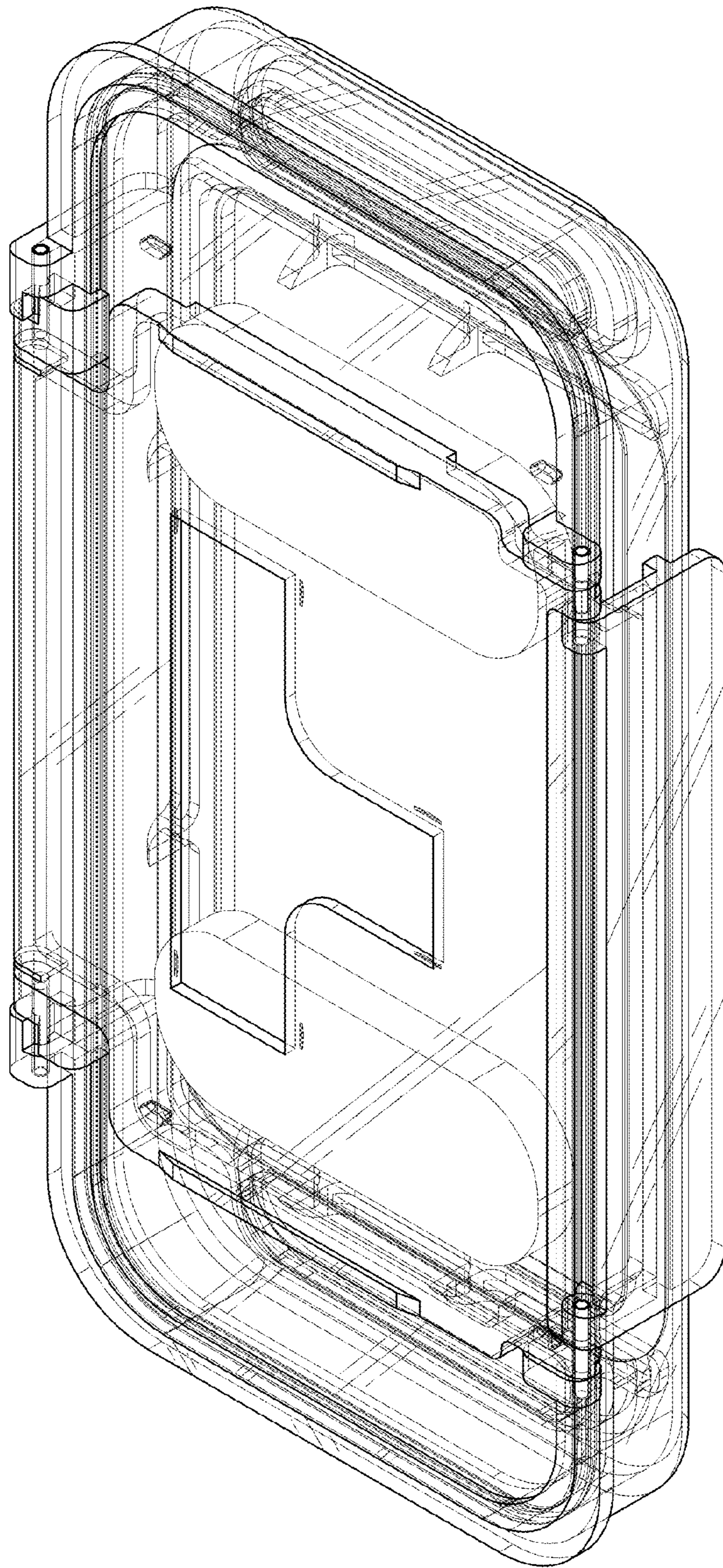


Fig. 7

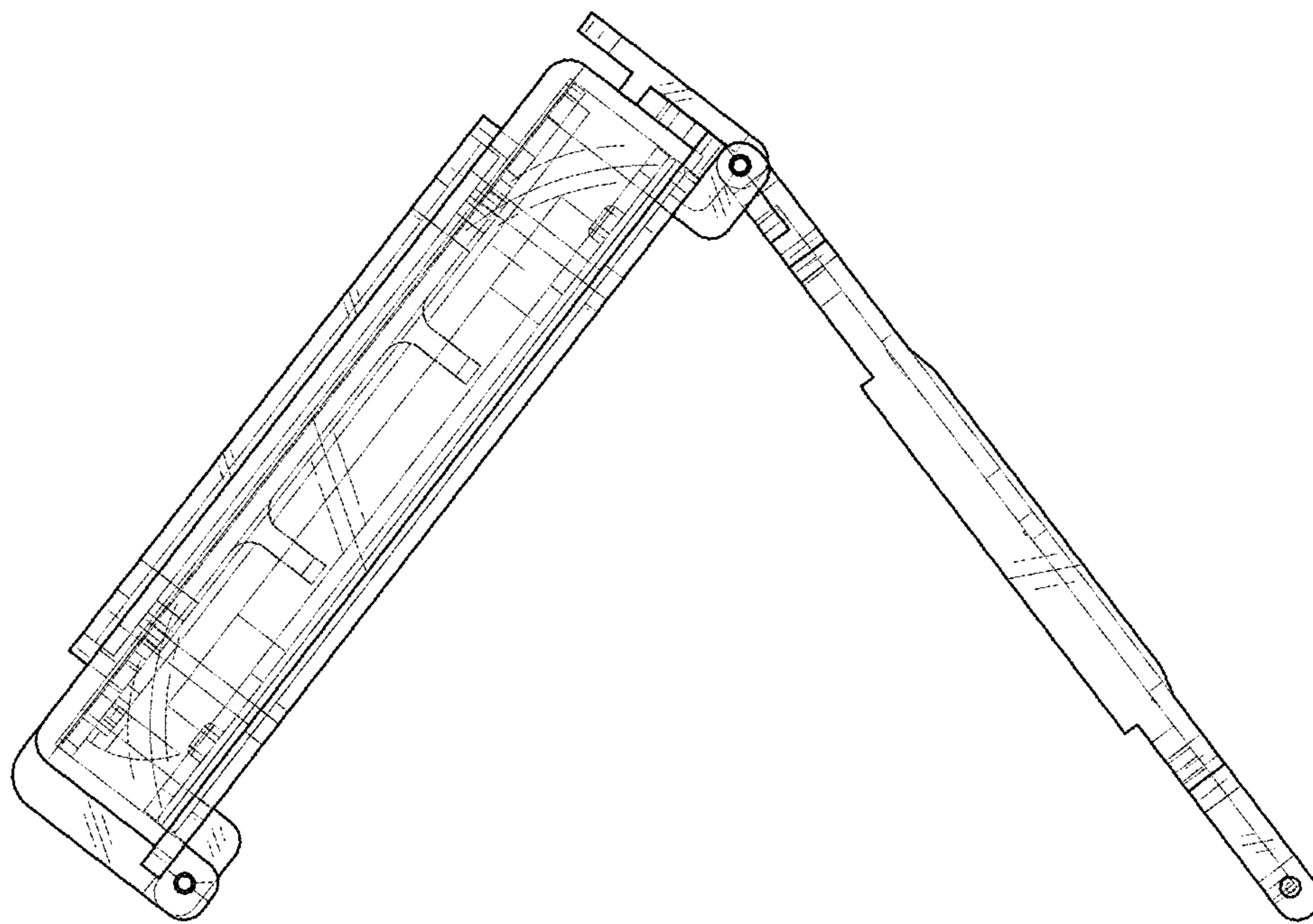


Fig. 8

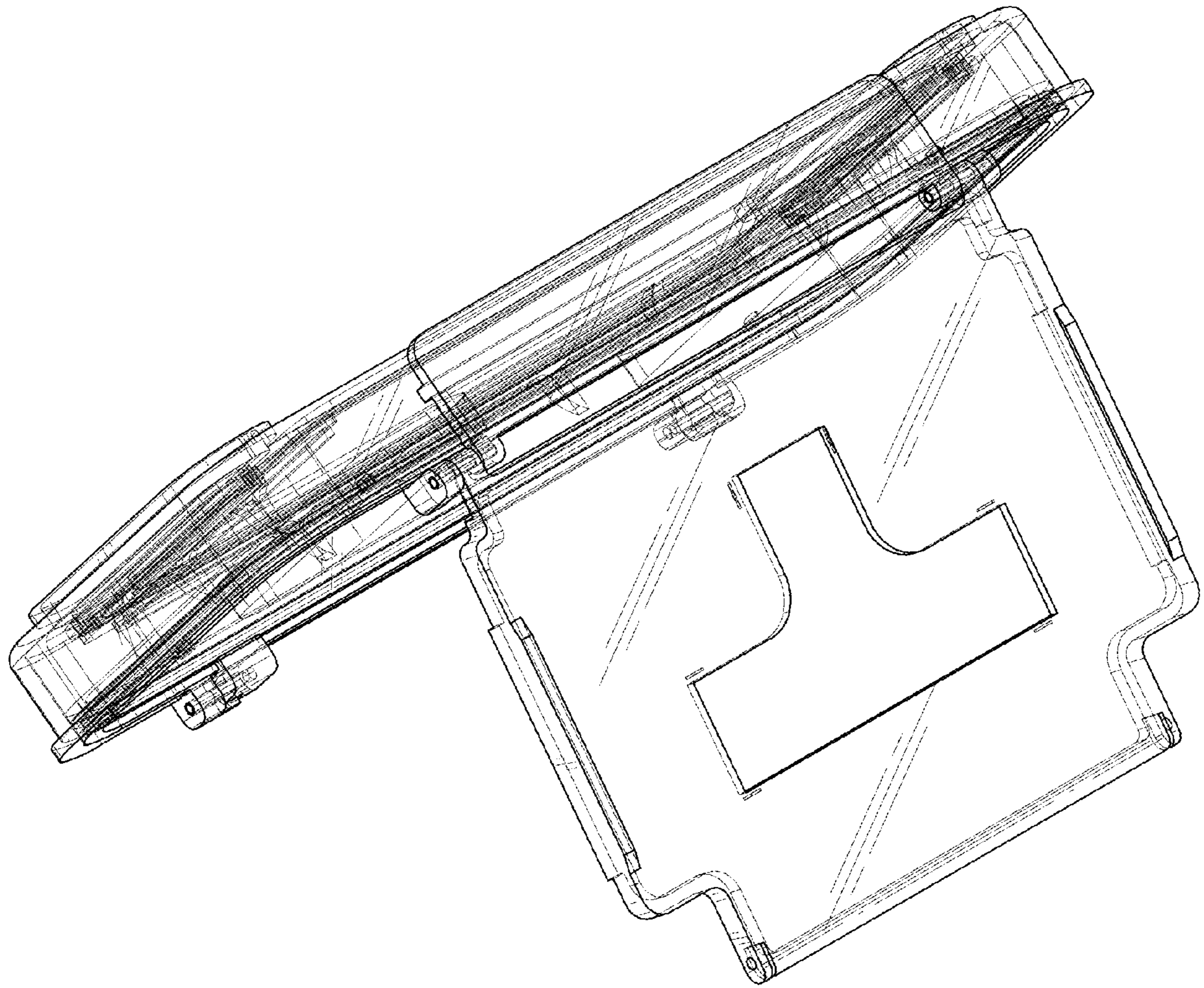


Fig. 9

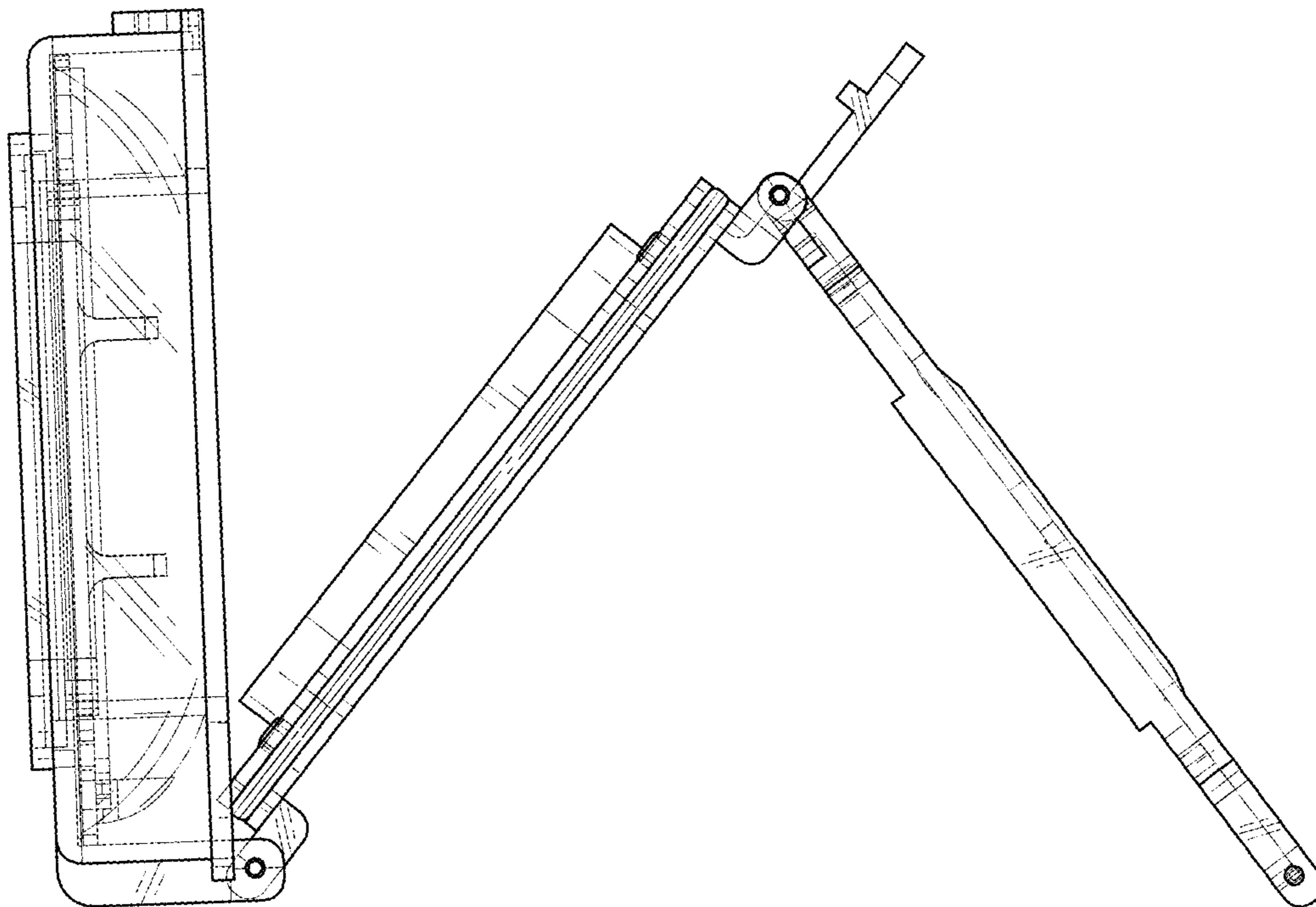


Fig. 10

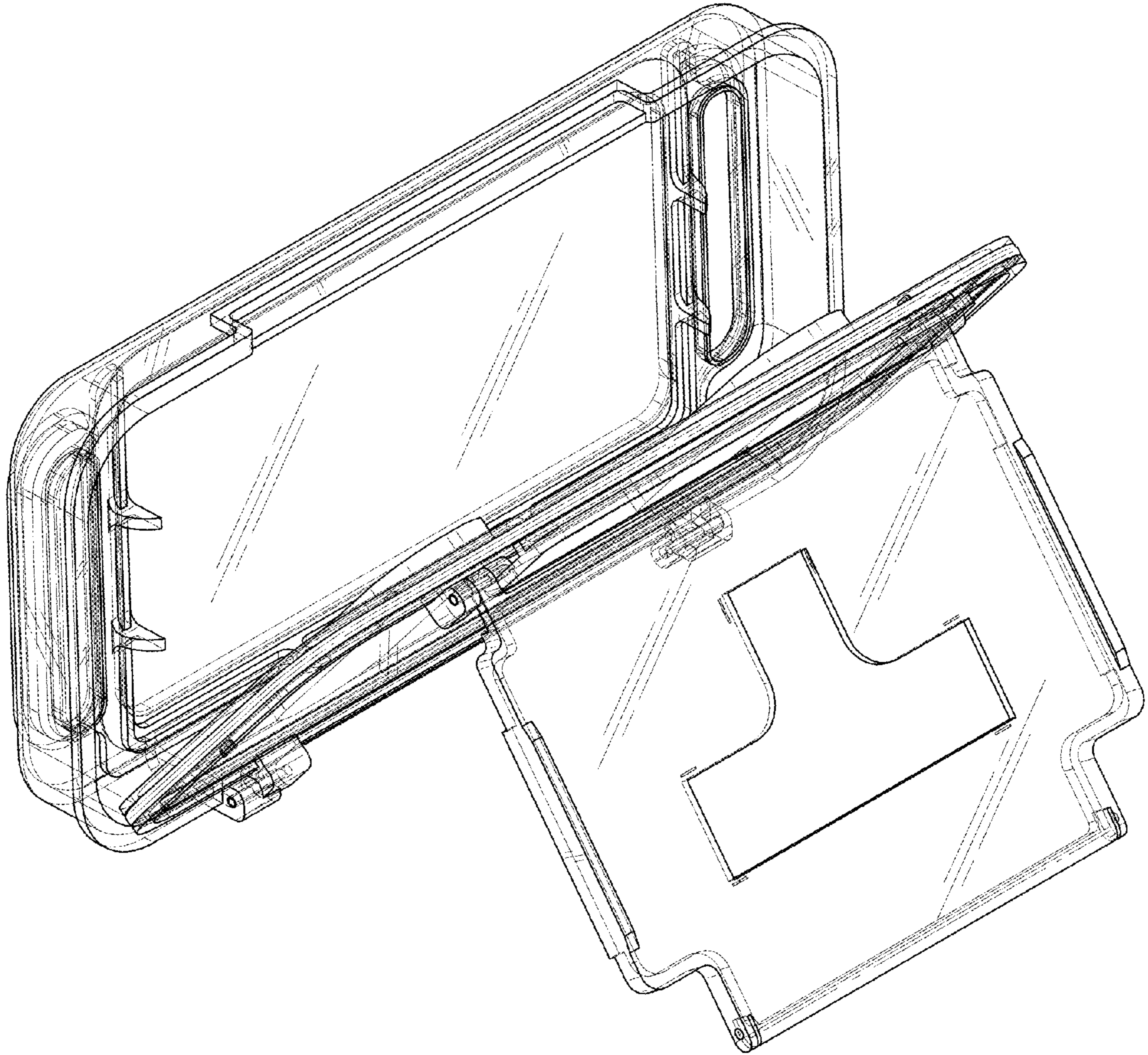


Fig. 11