



US00D935448S

(12) **United States Design Patent** (10) **Patent No.:** **US D935,448 S**  
**Lee** (45) **Date of Patent:** **\*\* Nov. 9, 2021**

(54) **STAND FOR ELECTRONIC DEVICE**

(71) Applicant: **ELAGO COMPANY CO., LTD.,**  
Goyang-si (KR)

(72) Inventor: **Chanwoo Lee,** Goyang-si (KR)

(73) Assignee: **ELAGO COMPANY CO., LTD.,**  
Goyang-si (KR)

(\*\*) Term: **15 Years**

(21) Appl. No.: **29/760,039**

(22) Filed: **Nov. 27, 2020**

(51) **LOC (13) Cl.** ..... **14-03**

(52) **U.S. Cl.**  
USPC ..... **D14/253; D13/108**

(58) **Field of Classification Search**  
USPC ..... D14/251-253, 440, 447, 217; D12/415;  
D3/218; D13/108; D6/310  
CPC ..... H04M 1/04; H04M 1/21; H04M 1/0266;  
F16M 13/00; F16M 11/041; B60R  
11/0241; B60R 11/0252; B60R  
2011/0059; B60R 2011/0063; B60R  
2011/0005; B60R 2011/0003; B60R  
2011/0078; H02J 7/0027; H02J 2310/22;  
A45F 2200/0516; A45F 5/00; A45F  
2200/0525; A45F 5/10; A45C 2011/002;  
G03B 17/561; G03B 27/582; A47B  
97/04; G09F 1/00

See application file for complete search history.

(56) **References Cited**

**U.S. PATENT DOCUMENTS**

D625,262 S \* 10/2010 Lee ..... D13/118  
D696,638 S 12/2013 Kim et al.  
D718,233 S \* 11/2014 Aumiller ..... D13/108  
D718,234 S \* 11/2014 Rautiainen ..... D13/108  
D718,236 S 11/2014 Murray  
D718,712 S \* 12/2014 Aumiller ..... D13/108

D725,034 S \* 3/2015 Chen ..... D13/108  
D738,303 S \* 9/2015 Symons ..... D13/108  
D740,750 S 10/2015 Mayden et al.  
D746,772 S \* 1/2016 Aumiller ..... D13/108  
D747,267 S 1/2016 Aumiller et al.  
D782,973 S 4/2017 Zhou  
D786,193 S \* 5/2017 Akana ..... D13/108  
D791,215 S 7/2017 Schmidt et al.  
D796,433 S 9/2017 Langhammer et al.  
D817,268 S \* 5/2018 Symons ..... D13/108  
D850,367 S 6/2019 Xiong et al.  
D850,372 S \* 6/2019 Kong ..... D13/108  
D855,567 S \* 8/2019 Cai ..... D13/108  
D861,602 S \* 10/2019 Feng ..... D13/108  
D874,631 S \* 2/2020 Lee ..... D23/366

(Continued)

**FOREIGN PATENT DOCUMENTS**

CN 303862511 9/2016  
CN 305032139 2/2019

(Continued)

*Primary Examiner* — Janice Hallmark

(74) *Attorney, Agent, or Firm* — Paratus Law Group,  
PLLC

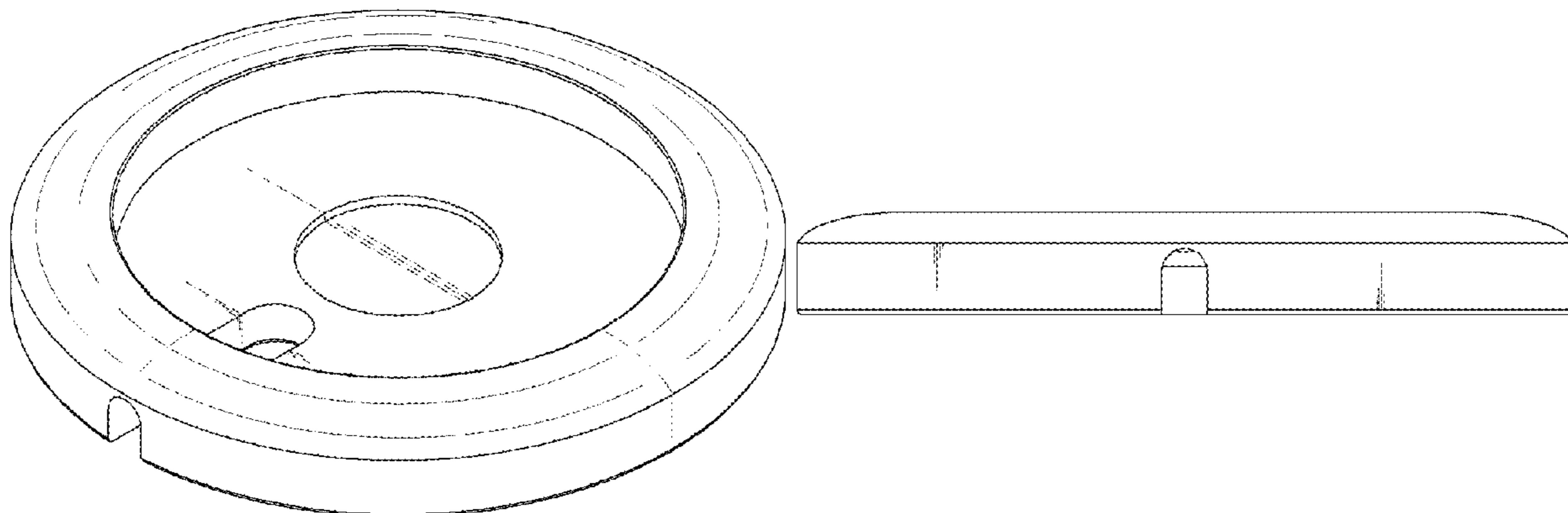
(57) **CLAIM**

The ornamental design for a stand for electronic device, as shown and described.

**DESCRIPTION**

FIG. 1 is a front, top, and right sides perspective view of a stand for electronic device, showing my new design;  
FIG. 2 is a front view thereof;  
FIG. 3 is a back view thereof;  
FIG. 4 is a left side view thereof;  
FIG. 5 is a right side view thereof;  
FIG. 6 is a top view thereof;  
FIG. 7 is a bottom view thereof; and,  
FIG. 8 is a front, bottom, and left sides perspective view thereof.

**1 Claim, 4 Drawing Sheets**



(56)

**References Cited**

U.S. PATENT DOCUMENTS

D875,678 S \* 2/2020 Kim ..... D13/108  
D878,291 S 3/2020 Pupecki et al.  
D883,203 S 5/2020 Zheng  
D891,366 S \* 7/2020 Xie ..... D13/108  
D897,956 S \* 10/2020 Yang ..... D13/108  
D900,027 S 10/2020 Reilly et al.  
D908,620 S \* 1/2021 Akana ..... D13/108  
D917,497 S \* 4/2021 Lee ..... D14/447  
D928,792 S \* 8/2021 Lee ..... D14/447  
D930,582 S \* 9/2021 Lee ..... D13/108  
D930,583 S \* 9/2021 Lee ..... D13/108

FOREIGN PATENT DOCUMENTS

CN 209419679 U 9/2019  
CN 306128561 10/2020  
CN 306155319 11/2020  
KR 10-2047057 B1 11/2019

\* cited by examiner

FIG. 1

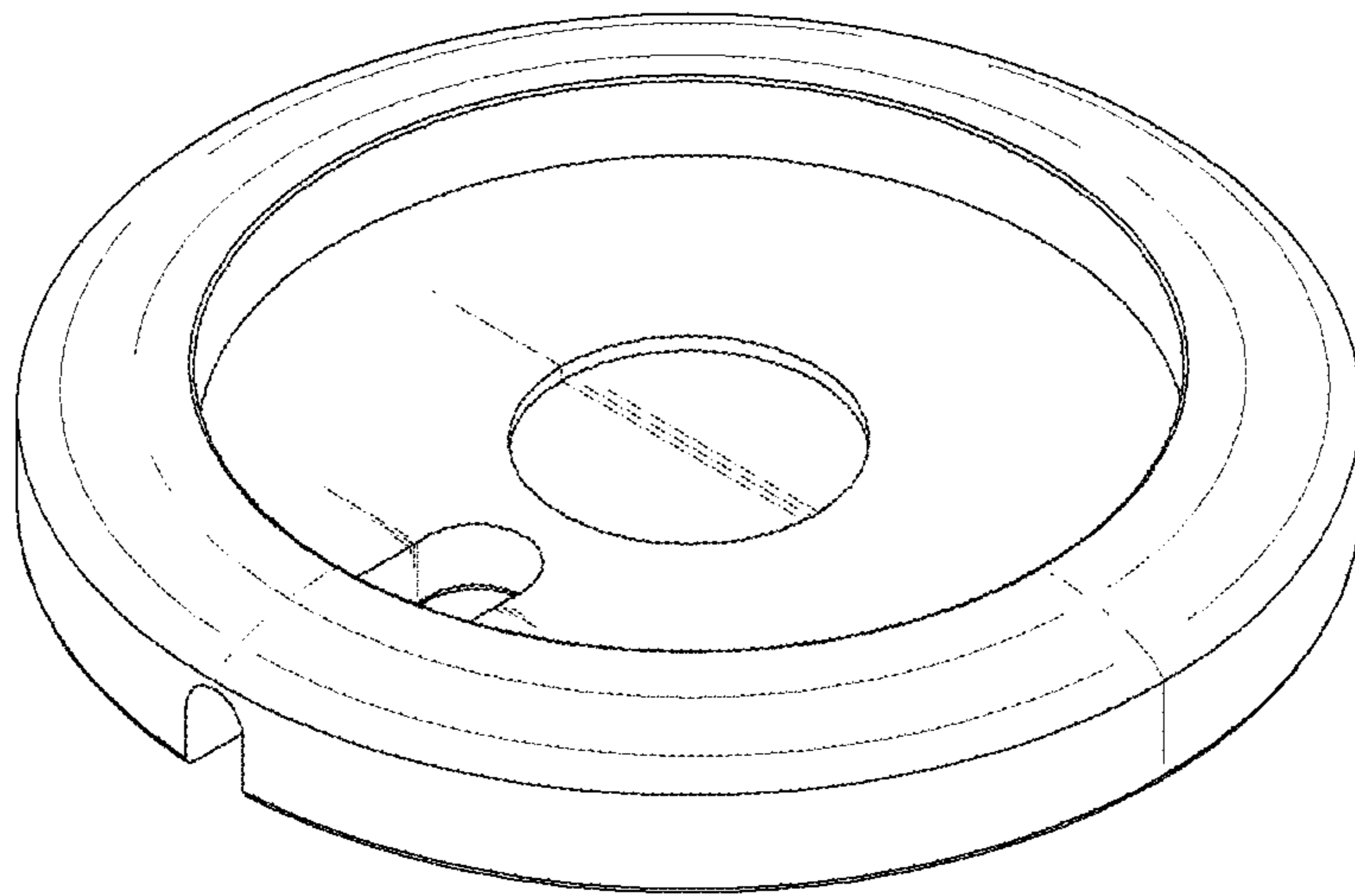


FIG. 2

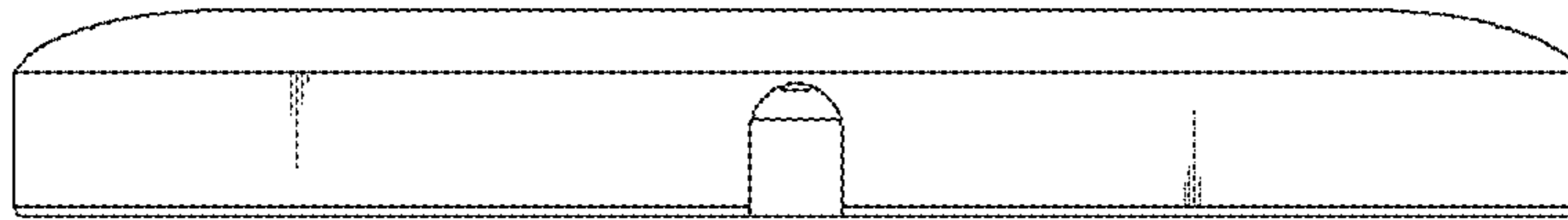


FIG. 3



FIG. 4

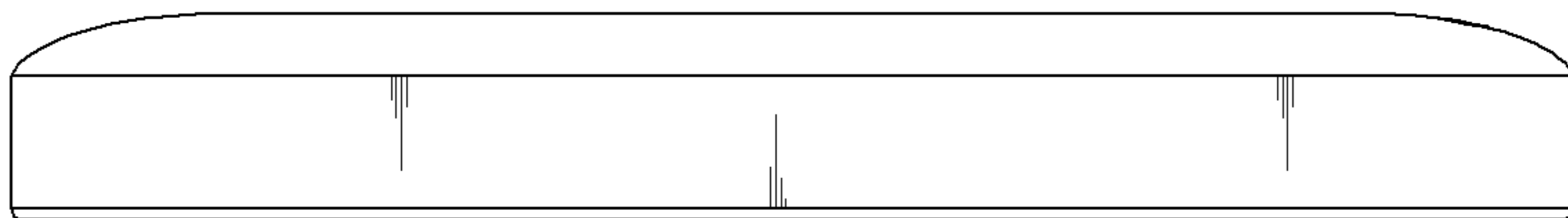


FIG. 5

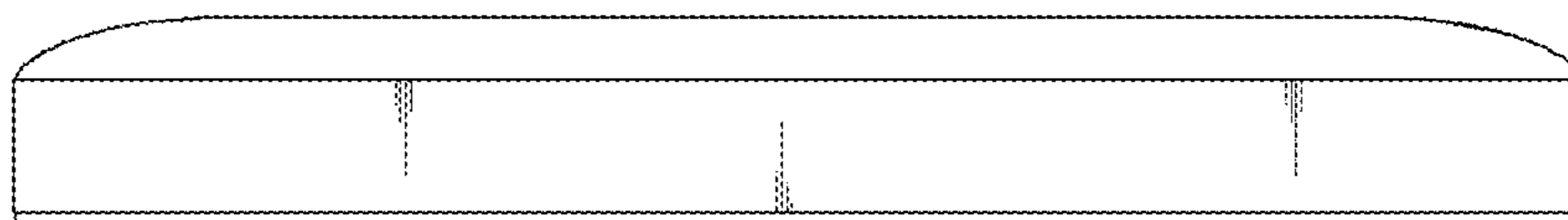


FIG. 6

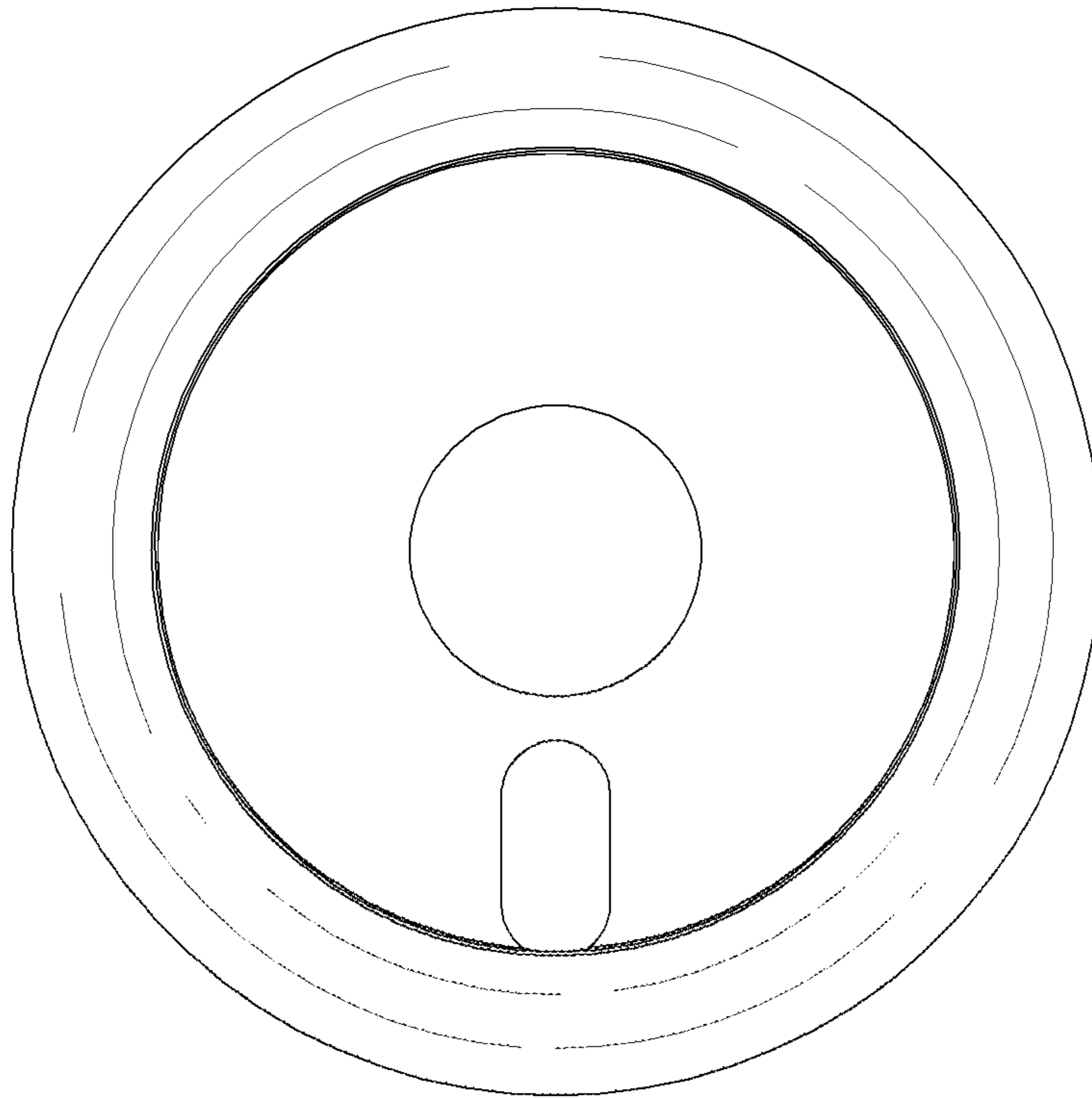


FIG. 7

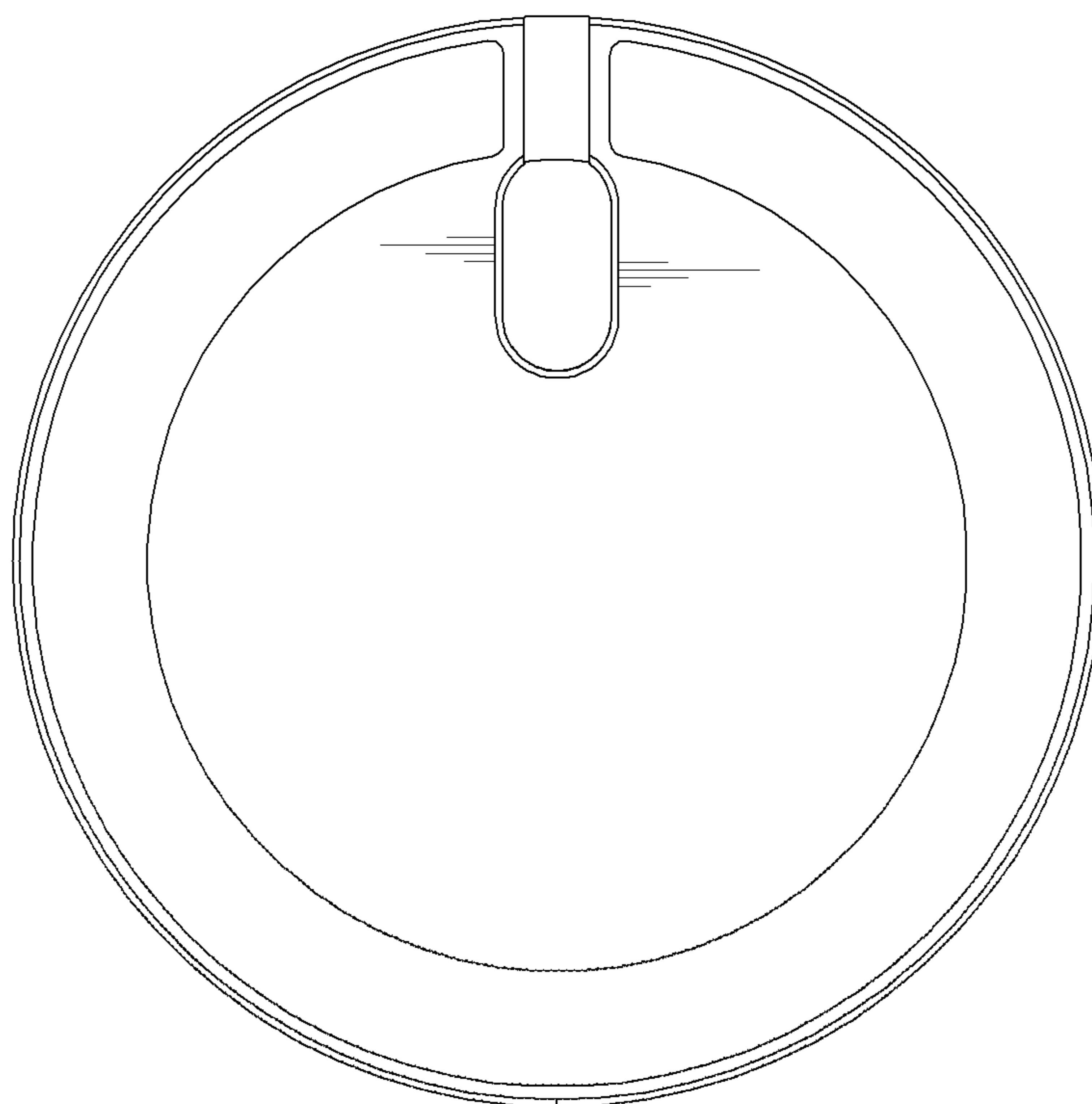


FIG. 8

