



US00D935447S

(12) **United States Design Patent**
Xu

(10) **Patent No.:** **US D935,447 S**

(45) **Date of Patent:** **** Nov. 9, 2021**

(54) **MOBILE PHONE SHELL**

(71) Applicant: **SHENZHEN BOXIRUILI TRADING CO., LTD.**, Shenzhen (CN)

(72) Inventor: **Li Xu**, Chizhou (CN)

(73) Assignee: **SHENZHEN BOXIRUILI TRADING CO., LTD.**, Shenzhen (CN)

(**) Term: **15 Years**

(21) Appl. No.: **29/765,439**

(22) Filed: **Jan. 8, 2021**

(51) **LOC (13) Cl.** **14-03**

(52) **U.S. Cl.**
USPC **D14/250**

(58) **Field of Classification Search**
USPC D14/203.3–203.7, 439, 251–253, 447,
D14/217, 240, 238.1, 440, 248; D13/103,
D13/107–108, 119; D3/201, 218, 247,
D3/249, 269, 273, 301, 303
CPC . H04B 1/3888; A45C 13/02; A45C 2011/002;
A45C 1/06; A45C 11/00; A45F
2200/0525; A45F 2005/026; A45F
2200/0516; H04M 1/0283; H04M 1/0202
See application file for complete search history.

(56) **References Cited**

U.S. PATENT DOCUMENTS

D647,526 S *	10/2011	Vandiver	D14/440
D689,056 S *	9/2013	Li	D14/440
D691,122 S *	10/2013	Bau	D14/250
D696,513 S *	12/2013	Louboutin	D3/247
D696,857 S *	1/2014	Atteberry	D3/215
D705,765 S *	5/2014	Fathollahi	D14/250
D712,388 S *	9/2014	Jia	D14/250
D714,791 S *	10/2014	Liu	D14/440
D715,785 S *	10/2014	Jacob	D14/250

D720,647 S *	1/2015	Kwon	D11/43
D727,885 S *	4/2015	Requa	D14/250
D736,516 S *	8/2015	Pennington	D3/201
9,182,785 B2 *	11/2015	Wyner	A45C 11/00
D761,780 S *	7/2016	Nguyen	D14/250
D780,741 S *	3/2017	Yin	D14/250
D789,347 S *	6/2017	Zamudio	D14/250
D795,878 S *	8/2017	English	D14/440
D813,856 S *	3/2018	Daubmeier	D14/250
D822,651 S *	7/2018	Gutteridge	D14/240
D834,581 S *	11/2018	Li	D14/440
D839,253 S *	1/2019	Su	D14/250
D841,640 S *	2/2019	Huang	
D855,610 S *	8/2019	Wei	D14/250

(Continued)

Primary Examiner — Carla J Wright

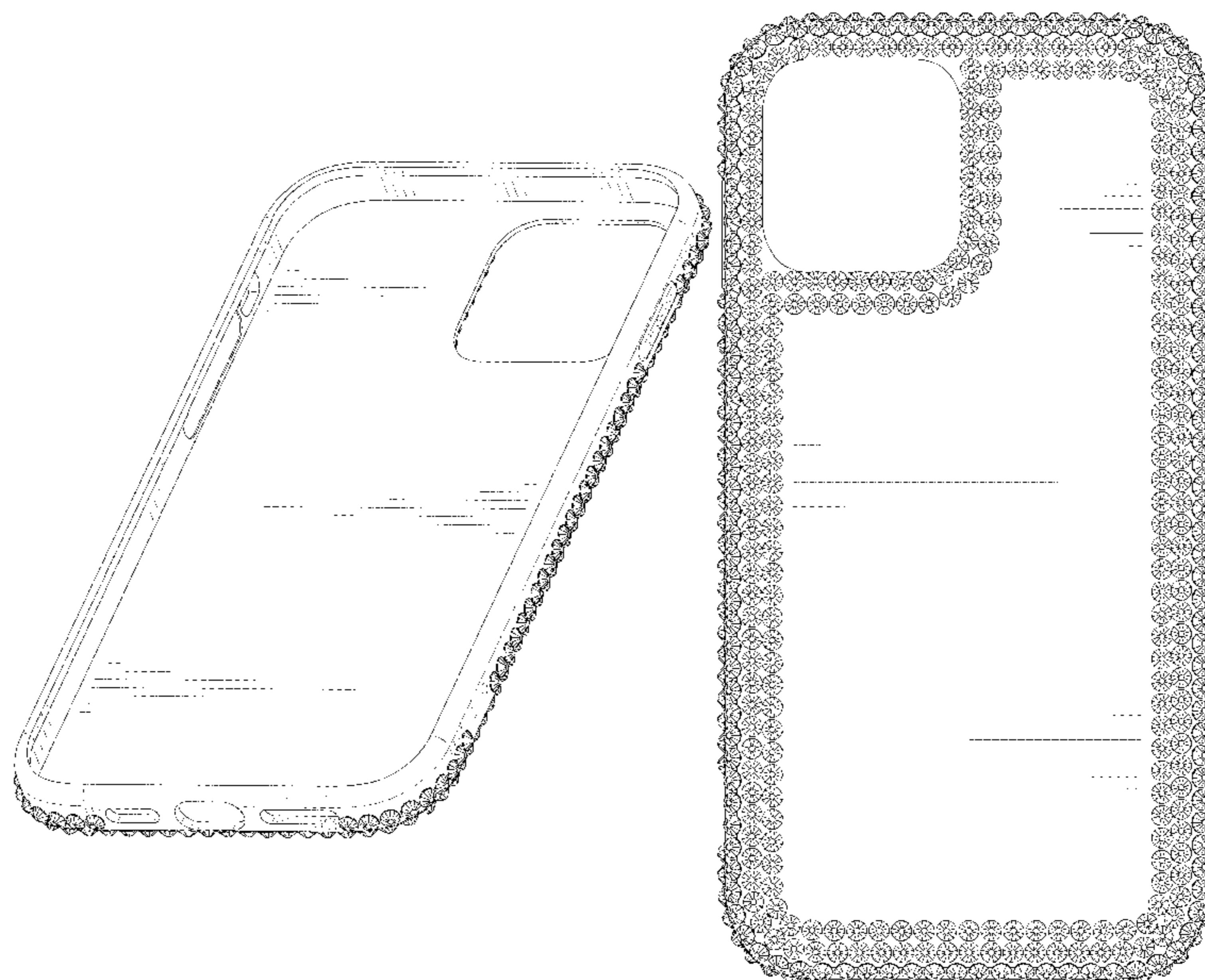
(57) **CLAIM**

The ornamental design for a mobile phone shell, as shown and described.

DESCRIPTION

FIG. 1 is a front, right-side, and bottom perspective view of a mobile phone shell showing my new design;
 FIG. 2 is a rear, left-side, and top perspective view thereof;
 FIG. 3 is a front elevational view thereof;
 FIG. 4 is a rear elevational view thereof;
 FIG. 5 is a left side elevational view thereof;
 FIG. 6 is a right side elevational view thereof;
 FIG. 7 is a top plan view thereof;
 FIG. 8 is a bottom plan view thereof; and,
 FIG. 9 is an enlarged view of portion 9 shown in FIG. 2.
 The dot-dash broken line circle in FIGS. 2 and 9 and the dot-dash broken lead line extending therefrom in FIG. 2 form no part of the claimed design and designate a portion of the claimed design that is shown on an enlarged scale in FIG. 9. The dashed broken lines in the drawing figures form no part of the claimed design and depict portions of the mobile phone shell that form no part of the claimed design.

1 Claim, 9 Drawing Sheets



(56)

References Cited

U.S. PATENT DOCUMENTS

D856,990 S * 8/2019 Romano D14/250
D863,286 S 10/2019 Hong
D865,740 S * 11/2019 Altschul D14/250
D879,760 S * 3/2020 Altschul D14/250
D899,415 S * 10/2020 Kwak D14/250
D901,480 S * 11/2020 Altschul H04M 1/0279
D14/250
D925,385 S * 7/2021 Lin D10/132
2002/0137474 A1 * 9/2002 Wu H01Q 17/00
455/575.8
2012/0274195 A1 * 11/2012 Thompson G06F 1/1613
312/237
2016/0286921 A1 * 10/2016 Northrup A45C 11/00

* cited by examiner

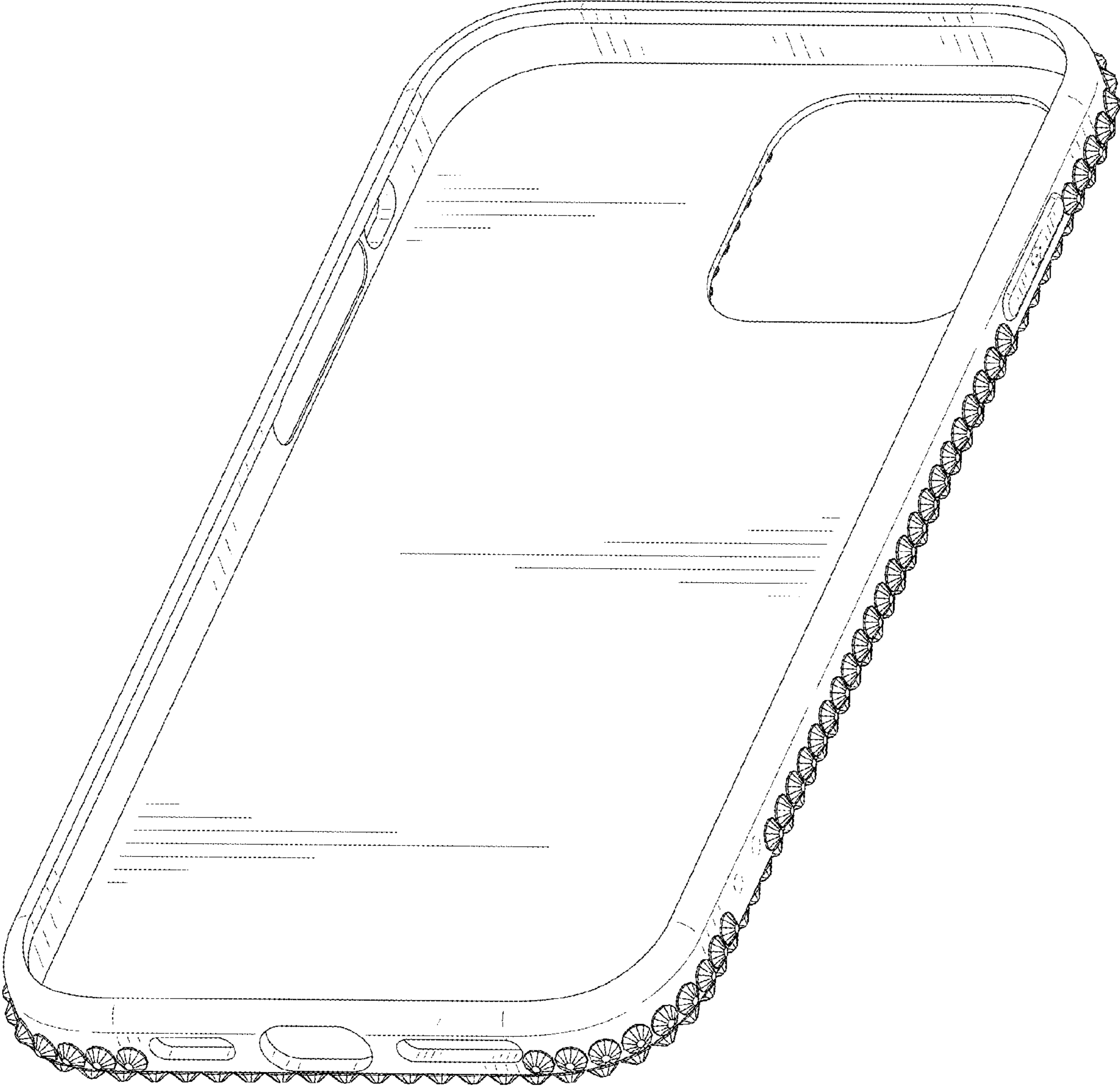


FIG. 1

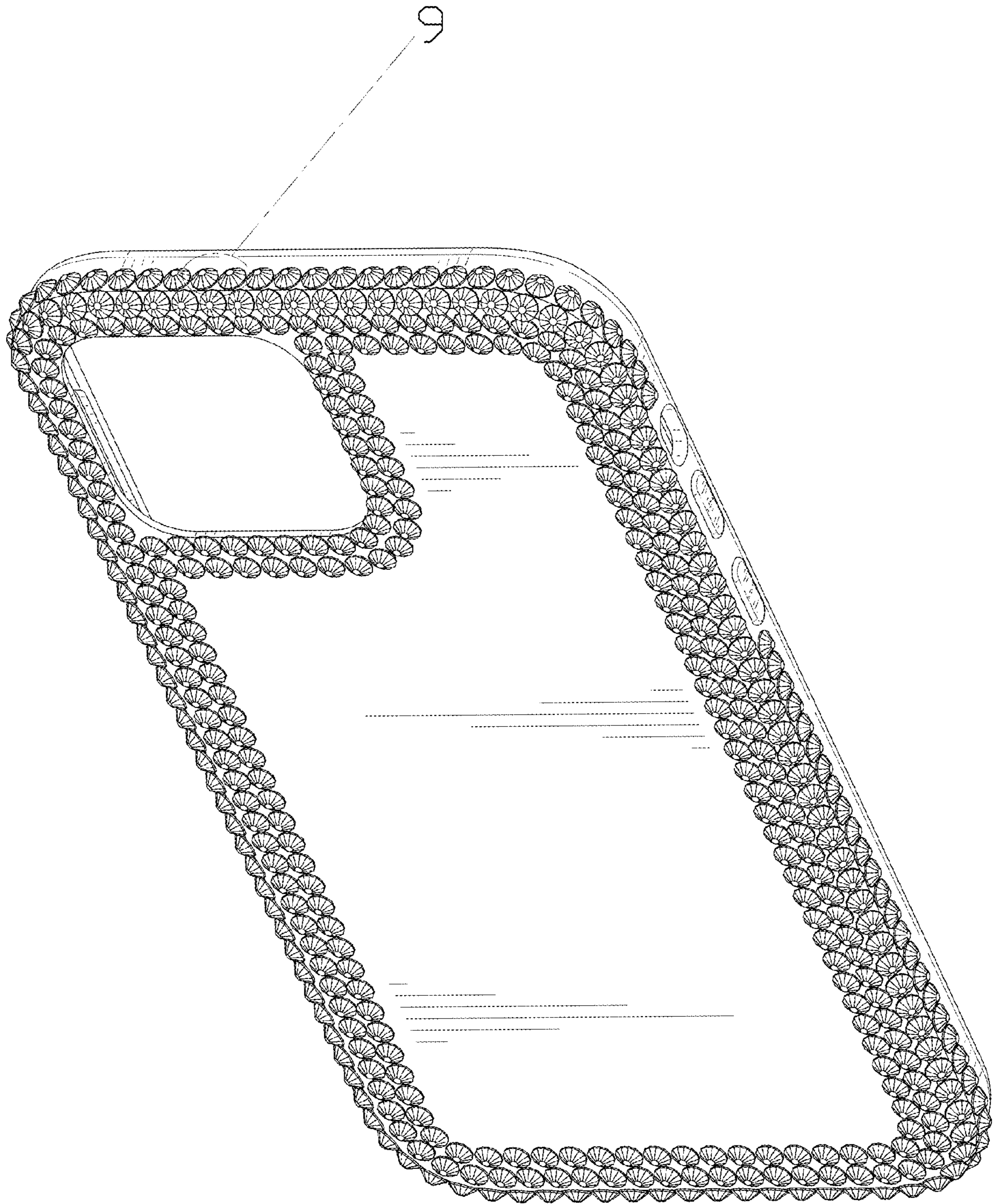


FIG. 2

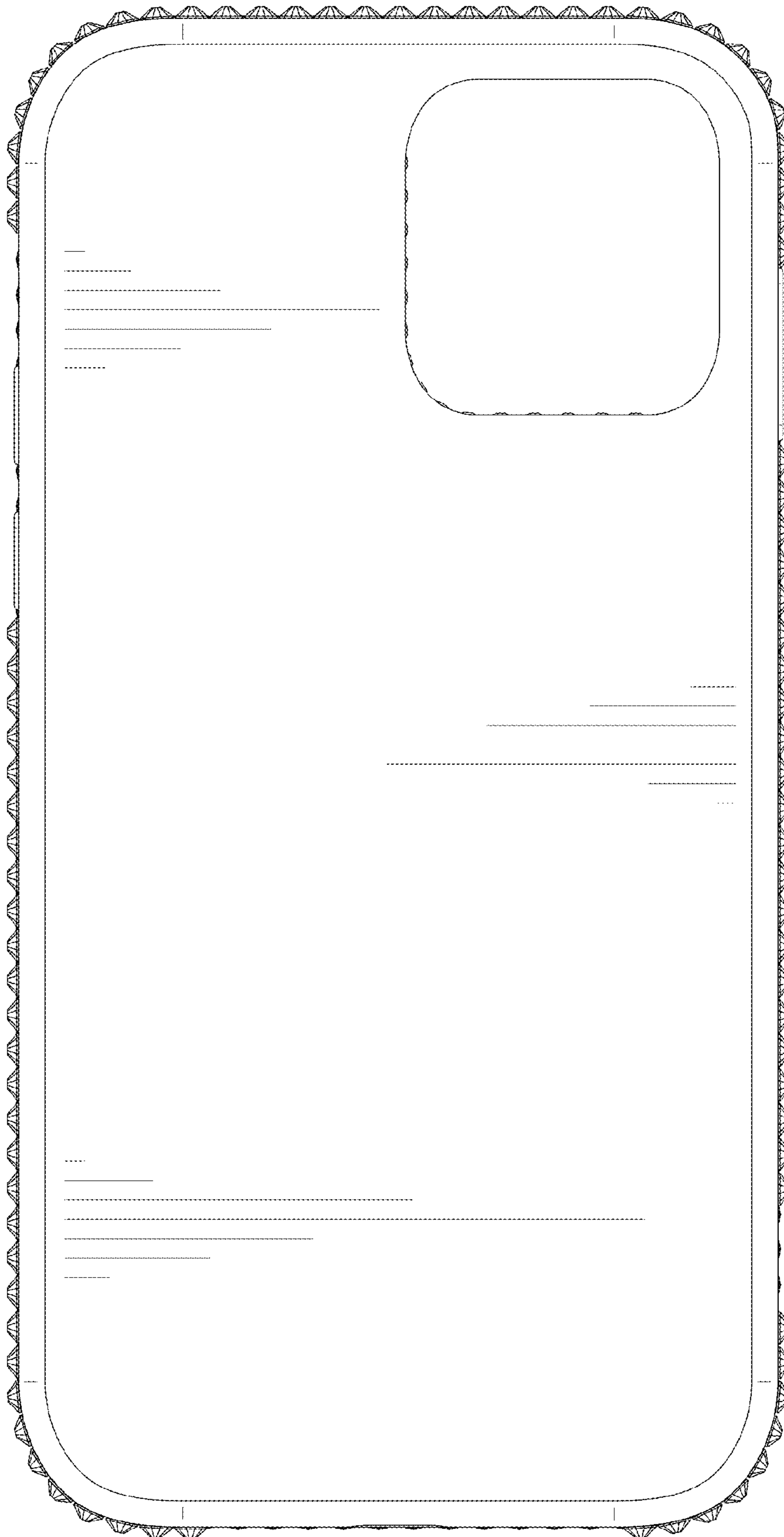


FIG. 3

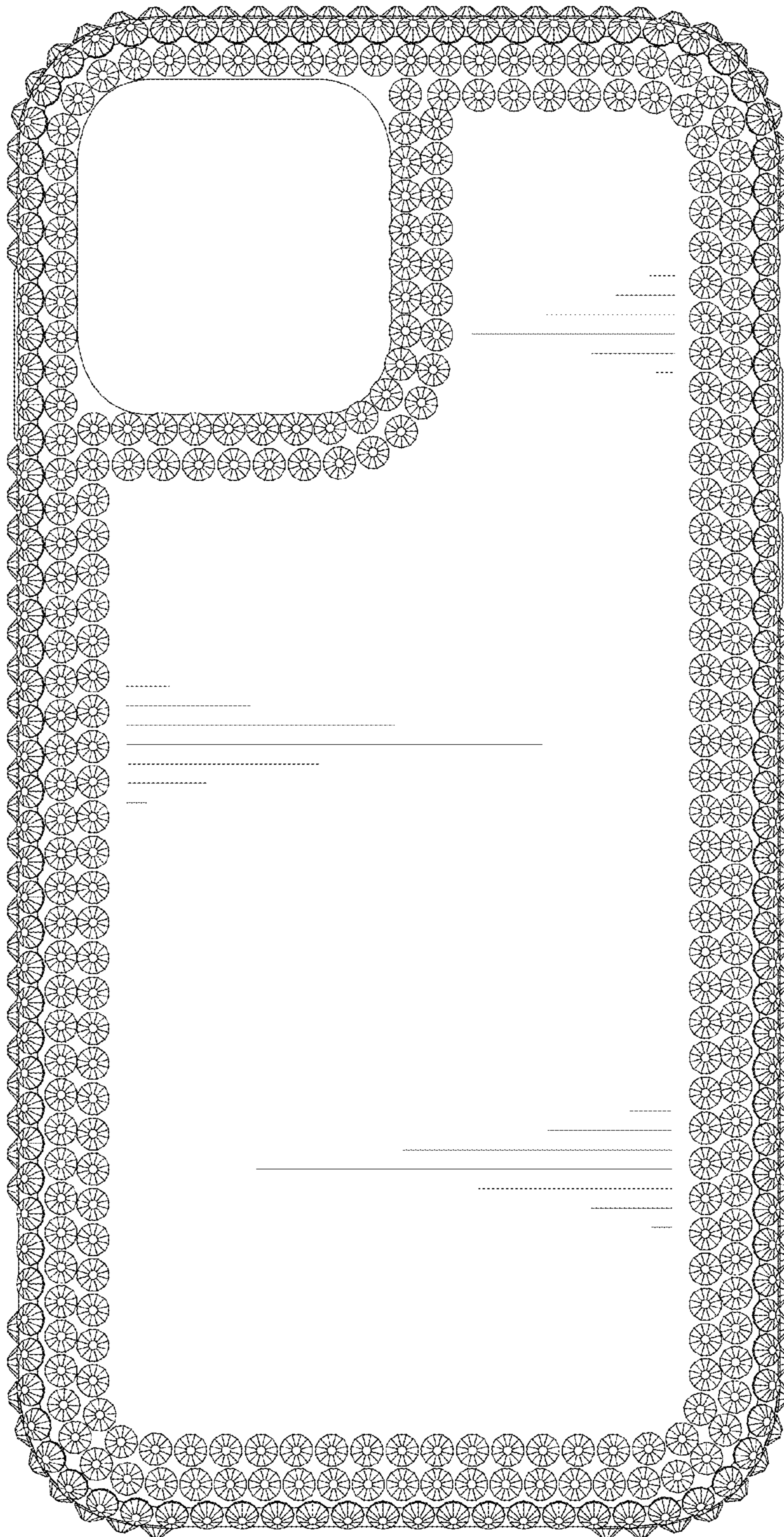


FIG. 4

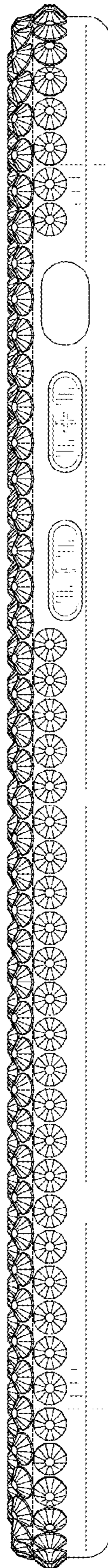


FIG. 5

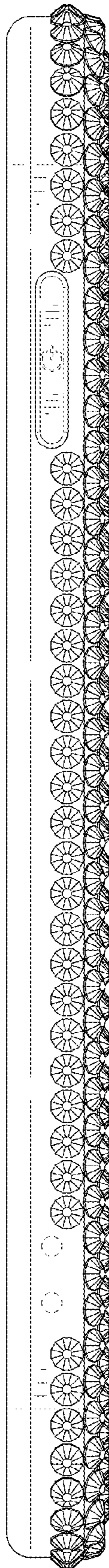


FIG. 6

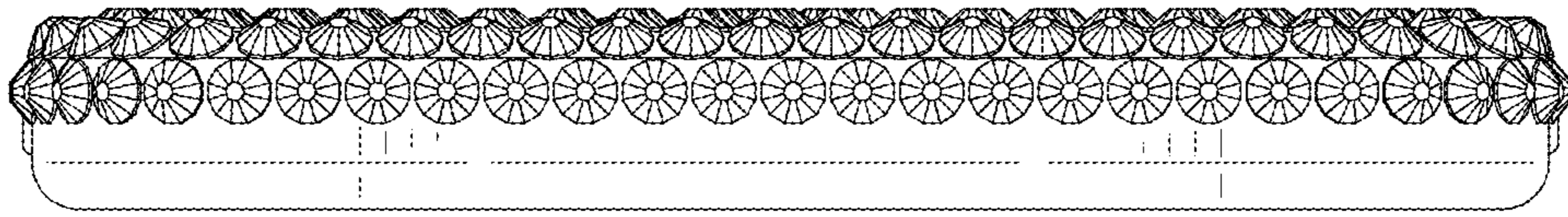


FIG. 7

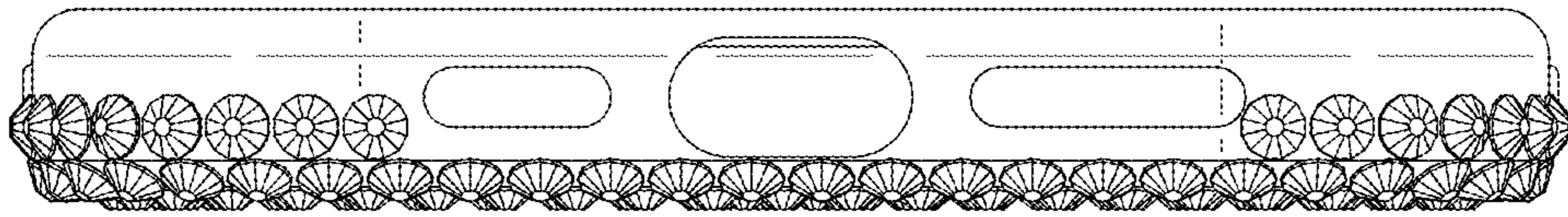


FIG. 8

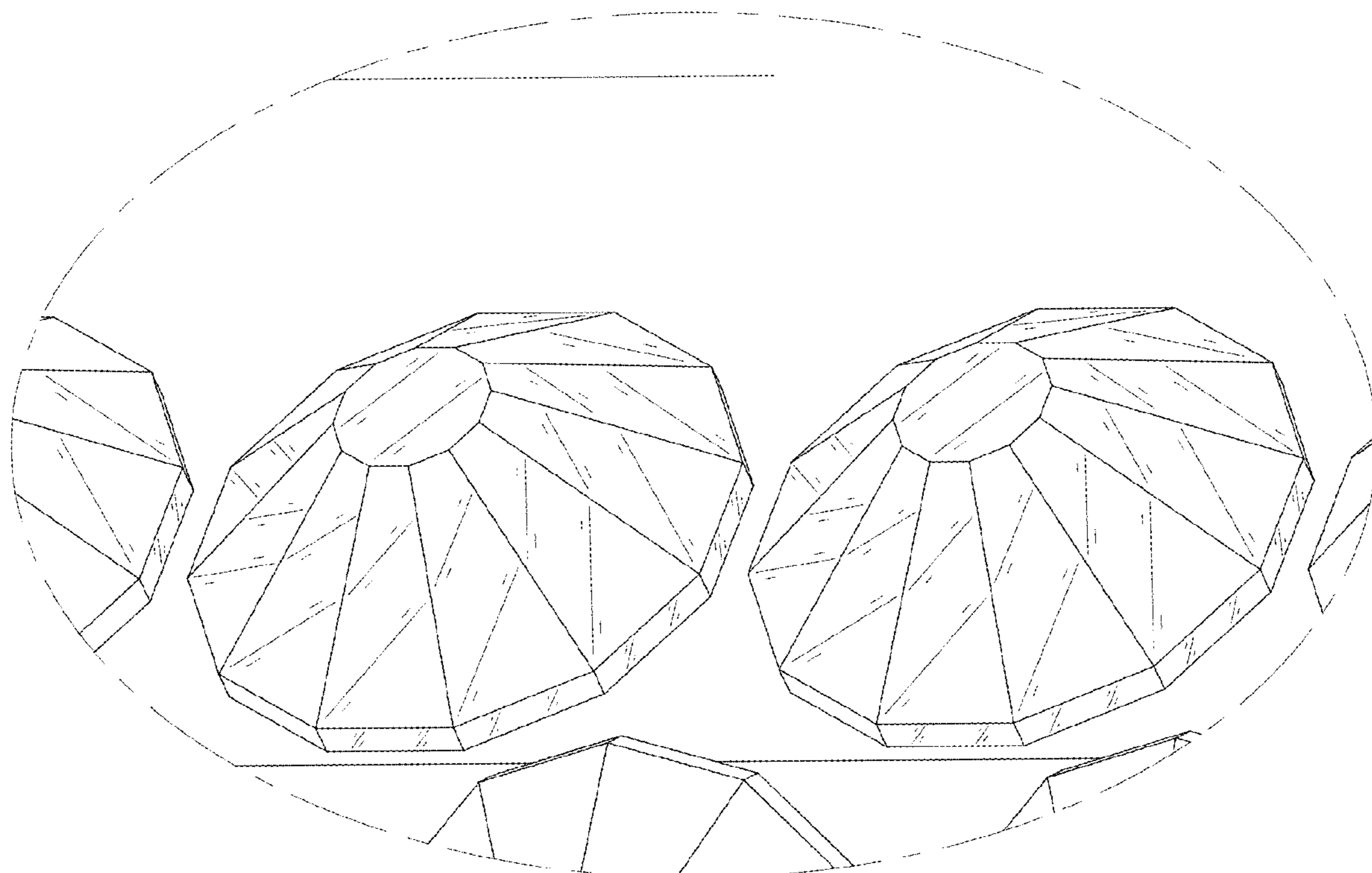


FIG. 9