



US00D935445S

(12) **United States Design Patent** (10) **Patent No.:** **US D935,445 S**
Park et al. (45) **Date of Patent:** **** *Nov. 9, 2021**

(54) **WIRELESS EARPHONE**

(56) **References Cited**

(71) Applicant: **LG ELECTRONICS INC.**, Seoul (KR)

U.S. PATENT DOCUMENTS

(72) Inventors: **Soonhyun Park**, Seoul (KR); **Byunghyun Yi**, Seoul (KR); **Gayeong Lee**, Seoul (KR); **Gangho Woo**, Seoul (KR)

D519,107 S *	4/2006	Yang	D14/223
D572,242 S *	7/2008	Yang	D14/205
D847,794 S *	5/2019	Guo	D14/223
D848,983 S *	5/2019	Kim	D14/223
D889,436 S *	7/2020	Zhang	D14/223
D890,138 S *	7/2020	Peng	D14/223
D890,724 S *	7/2020	Li	D14/223
D895,579 S *	9/2020	Yang	D14/223
D895,582 S *	9/2020	Wu	D14/223
D903,639 S *	12/2020	Yang	D14/223
D905,018 S *	12/2020	Zhu	D14/223
D905,020 S *	12/2020	Du	D14/223

(73) Assignee: **LG ELECTRONICS INC.**, Seoul (KR)

(*) Notice: This patent is subject to a terminal disclaimer.

(Continued)

(**) Term: **15 Years**

OTHER PUBLICATIONS

(21) Appl. No.: **35/509,588**

“LG Tone Free HBS-FN6—True Wireless Bluetooth Earbuds with UVNano Wireless Charging Case, Hi-Fi Sound Solution by Meridian Audio, Dual Microphones in Each Earbud, and IPX4 Water Resistance—White” [online]. LG. [Product first available on Jul. 1, 2020] Retrieved from the Internet: <<https://www.amazon.com/dp/B0898JD5TN>>.*

(22) Filed: **Dec. 12, 2019**

(80) **Hague Agreement Data**

Int. Filing Date: **Dec. 12, 2019**
Int. Reg. No.: **DM/206825**
Int. Reg. Date: **Dec. 12, 2019**
Int. Reg. Pub. Date: **Jun. 12, 2020**

Primary Examiner — Mojtaba Tehrani
(74) *Attorney, Agent, or Firm* — Birch, Stewart, Kolasch & Birch, LLP

(30) **Foreign Application Priority Data**

Jul. 15, 2019 (KR) 30-2019-0033688

(51) **LOC (13) Cl.** **14-01**

(52) **U.S. Cl.**
USPC **D14/223**

(58) **Field of Classification Search**

USPC ... D14/206, 207, 217, 221, 223, 224, 224.1, D14/225; D24/173–174
CPC H04R 1/10; H04R 1/1016; H04R 1/1066; H04R 1/105; H04R 1/1033; H04R 5/033; H04R 5/0335

See application file for complete search history.

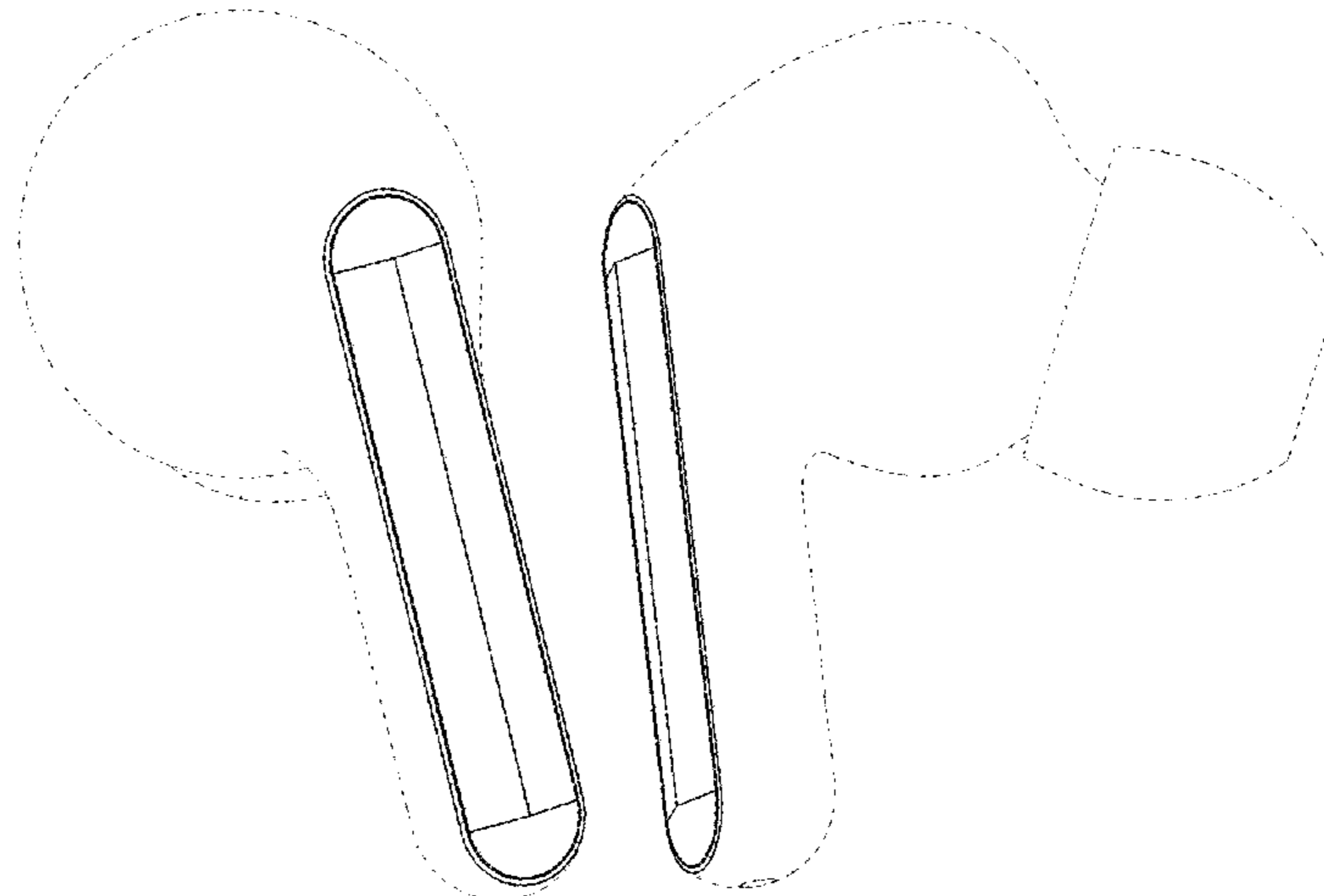
(57) **CLAIM**

The ornamental design for a wireless earphone, as shown and described.

DESCRIPTION

- 1. Wireless earphone
- 1.1 : Perspective
- 1.2 : Front
- 1.3 : Back
- 1.4 : Left
- 1.5 : Right
- 1.6 : Top
- 1.7 : Bottom

(Continued)



The broken lines indicate portions of the article that form no part of the claimed design.

1 Claim, 7 Drawing Sheets

(56)

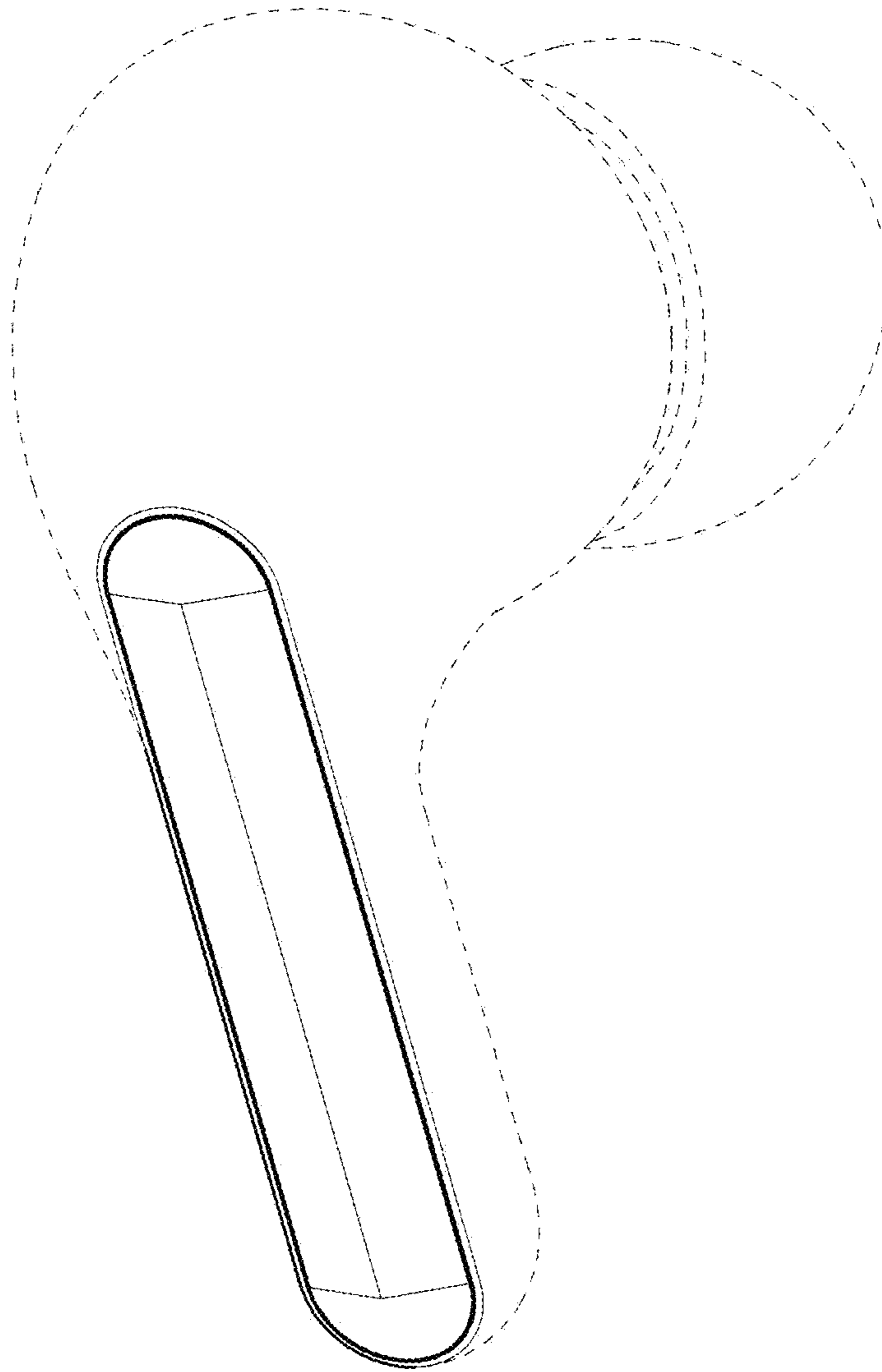
References Cited

U.S. PATENT DOCUMENTS

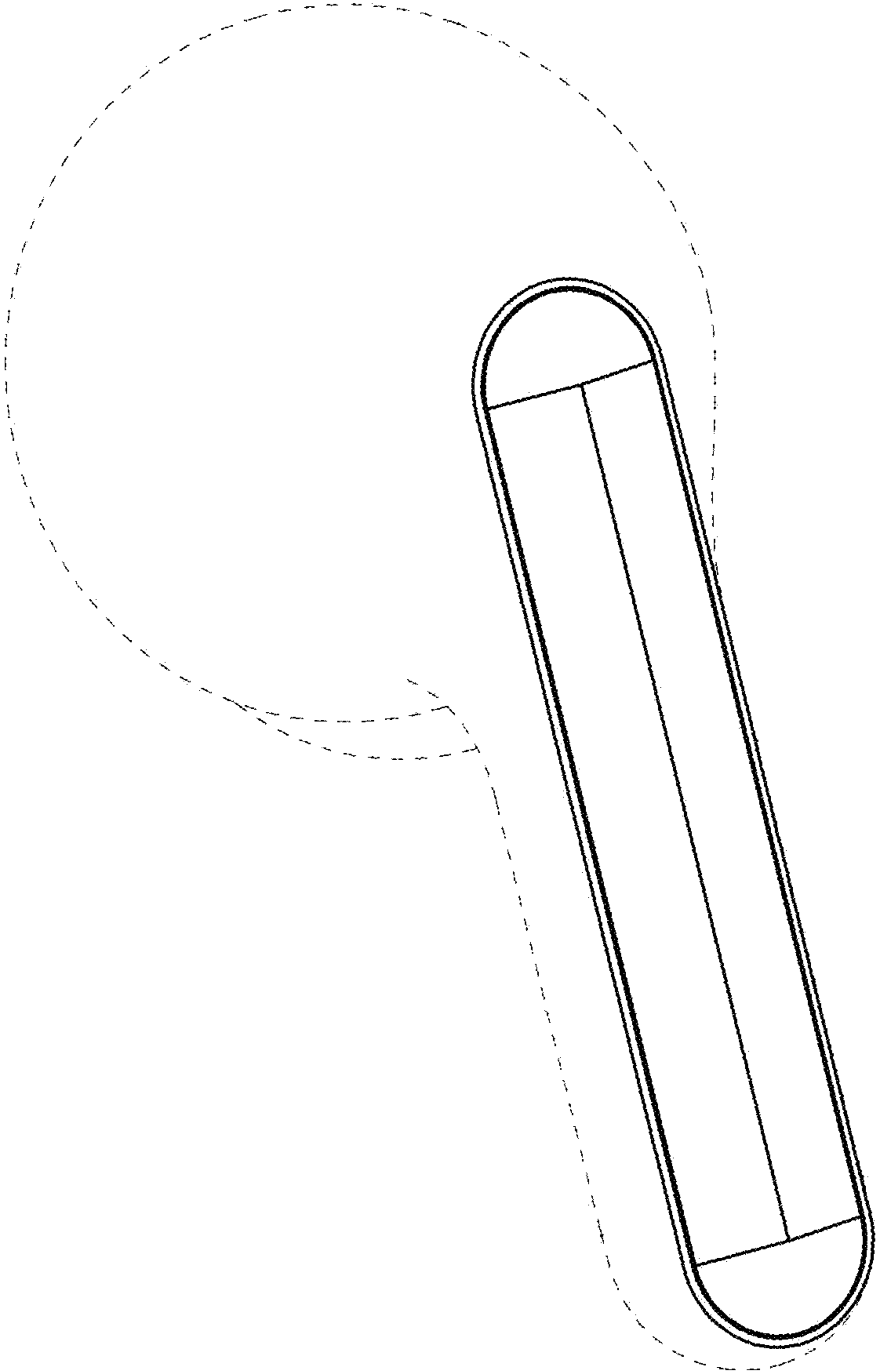
D910,600 S *	2/2021	Zhang	D14/223
D914,648 S *	3/2021	Zhou	D14/223
D914,652 S *	3/2021	Chen	D14/223
D916,684 S *	4/2021	Fang	D14/223
D916,685 S *	4/2021	Fang	D14/223
2020/0068283 A1 *	2/2020	Chou	H04R 1/1075

* cited by examiner

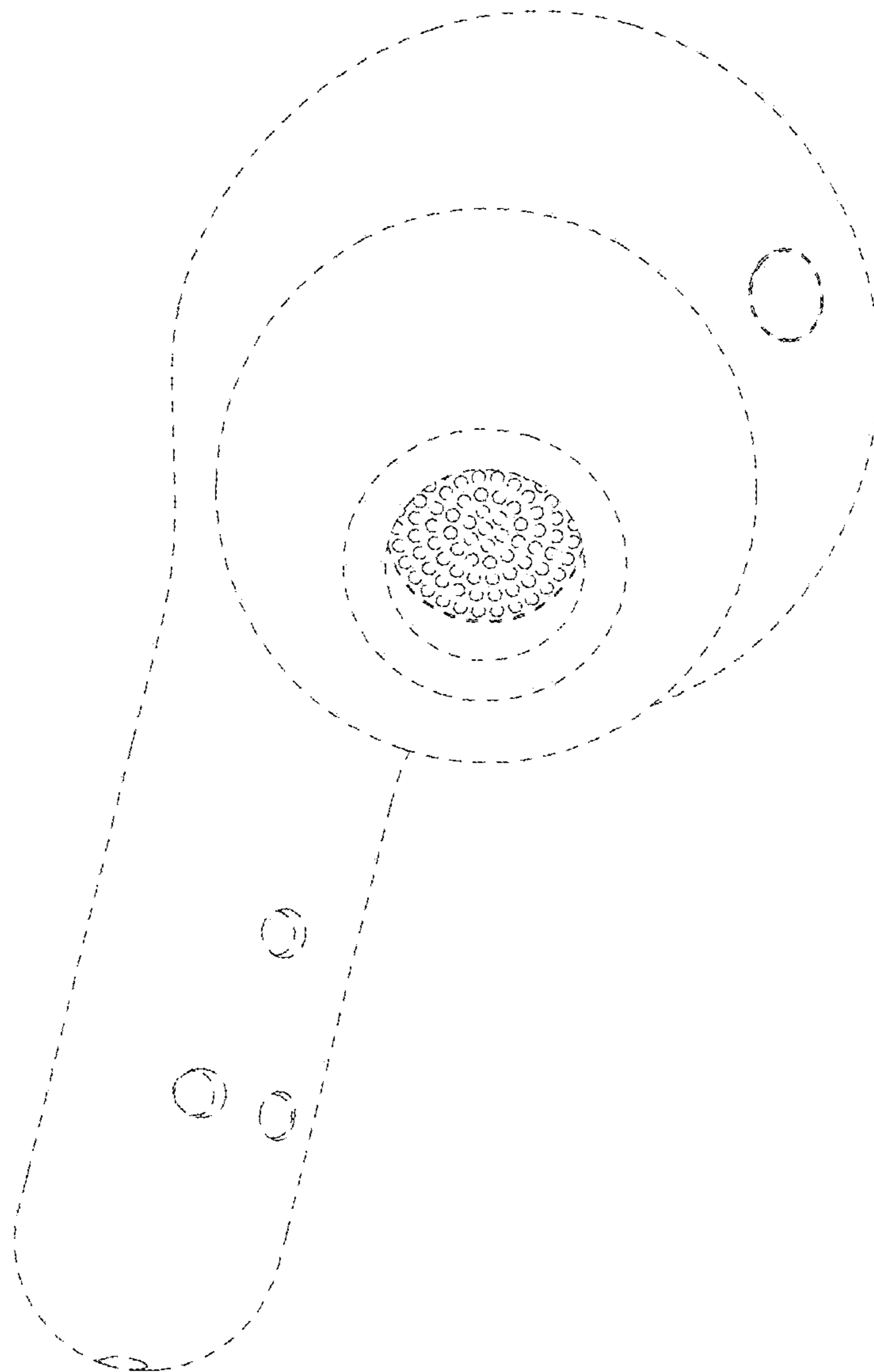
1.1



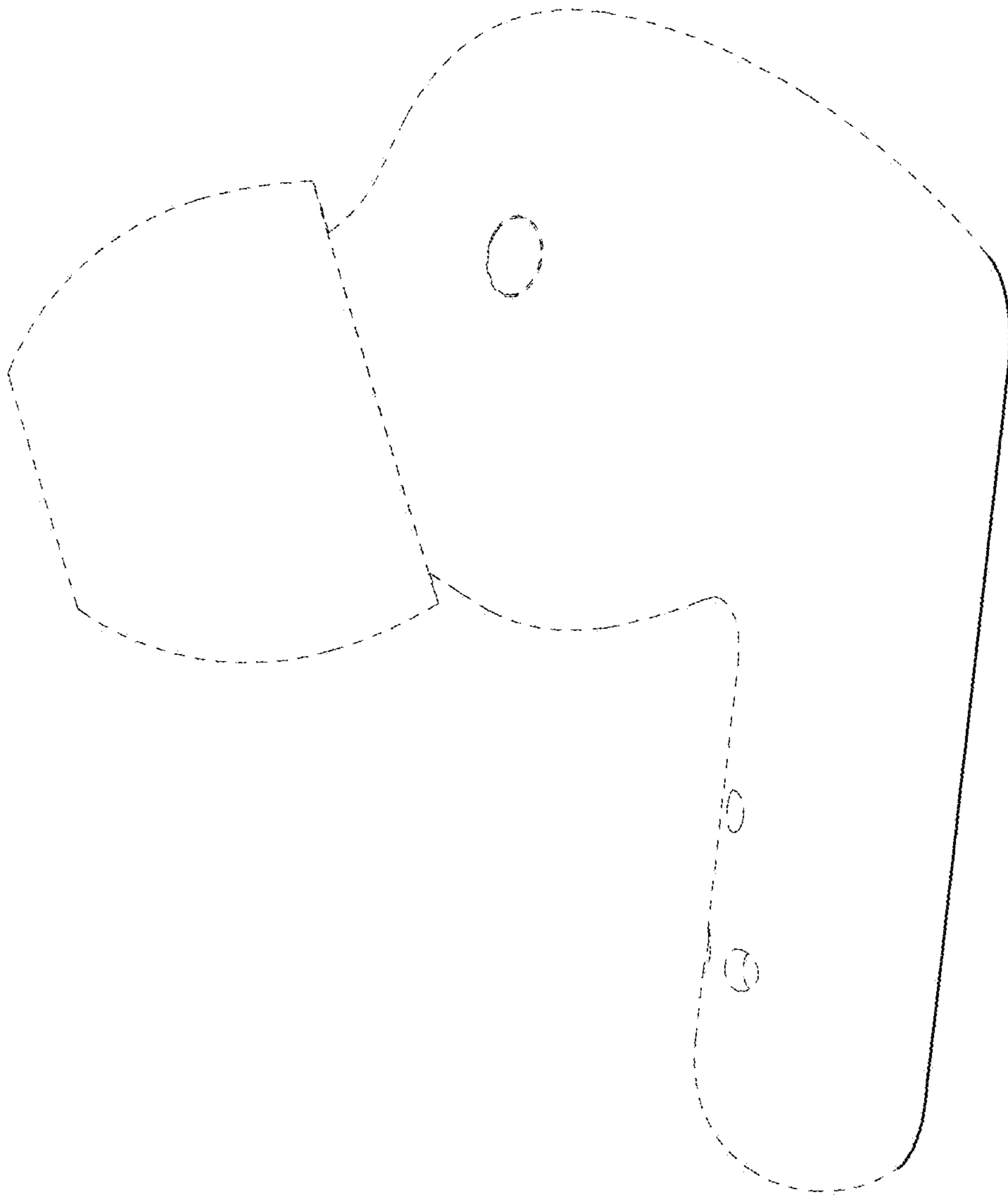
1.2



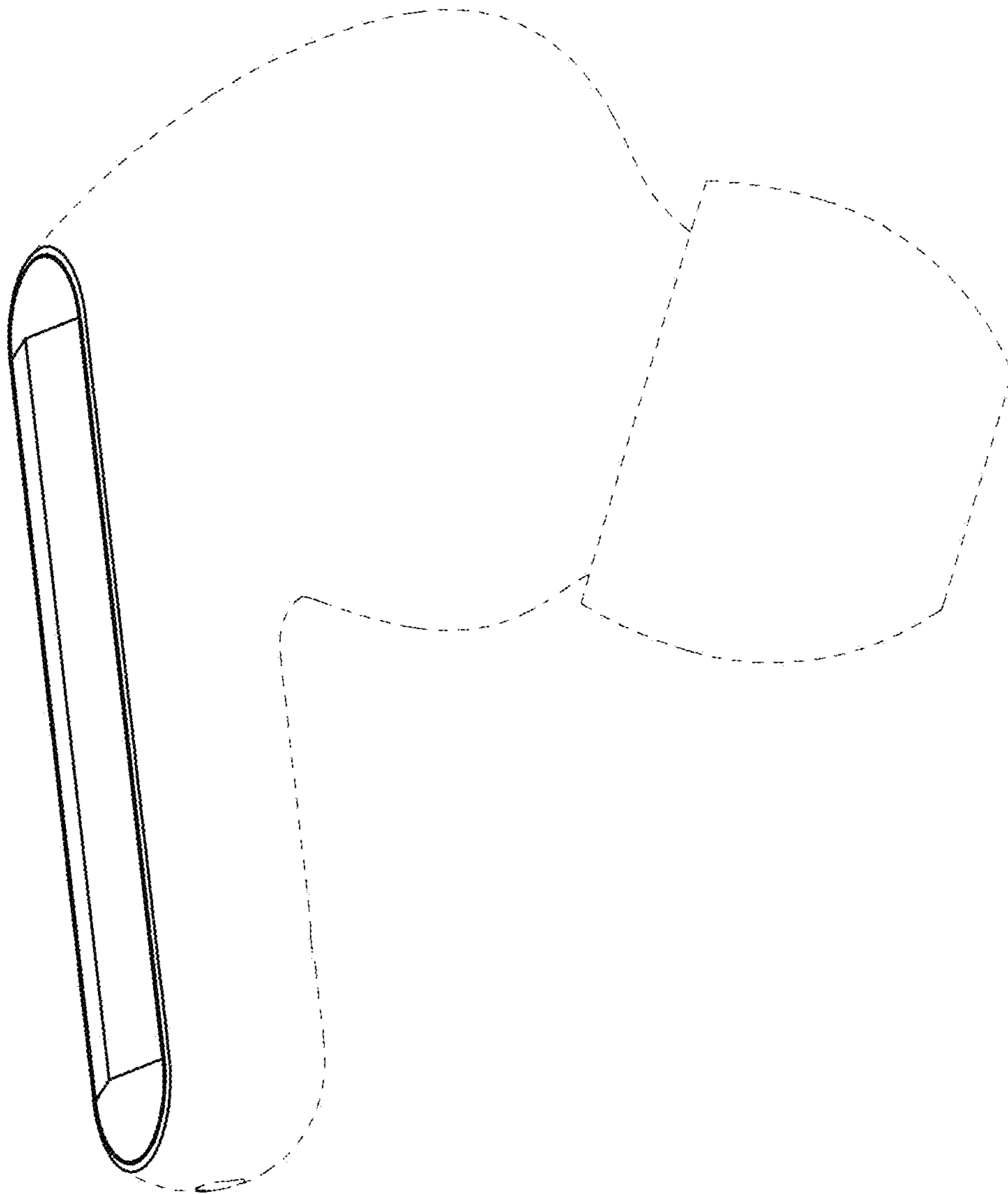
1.3



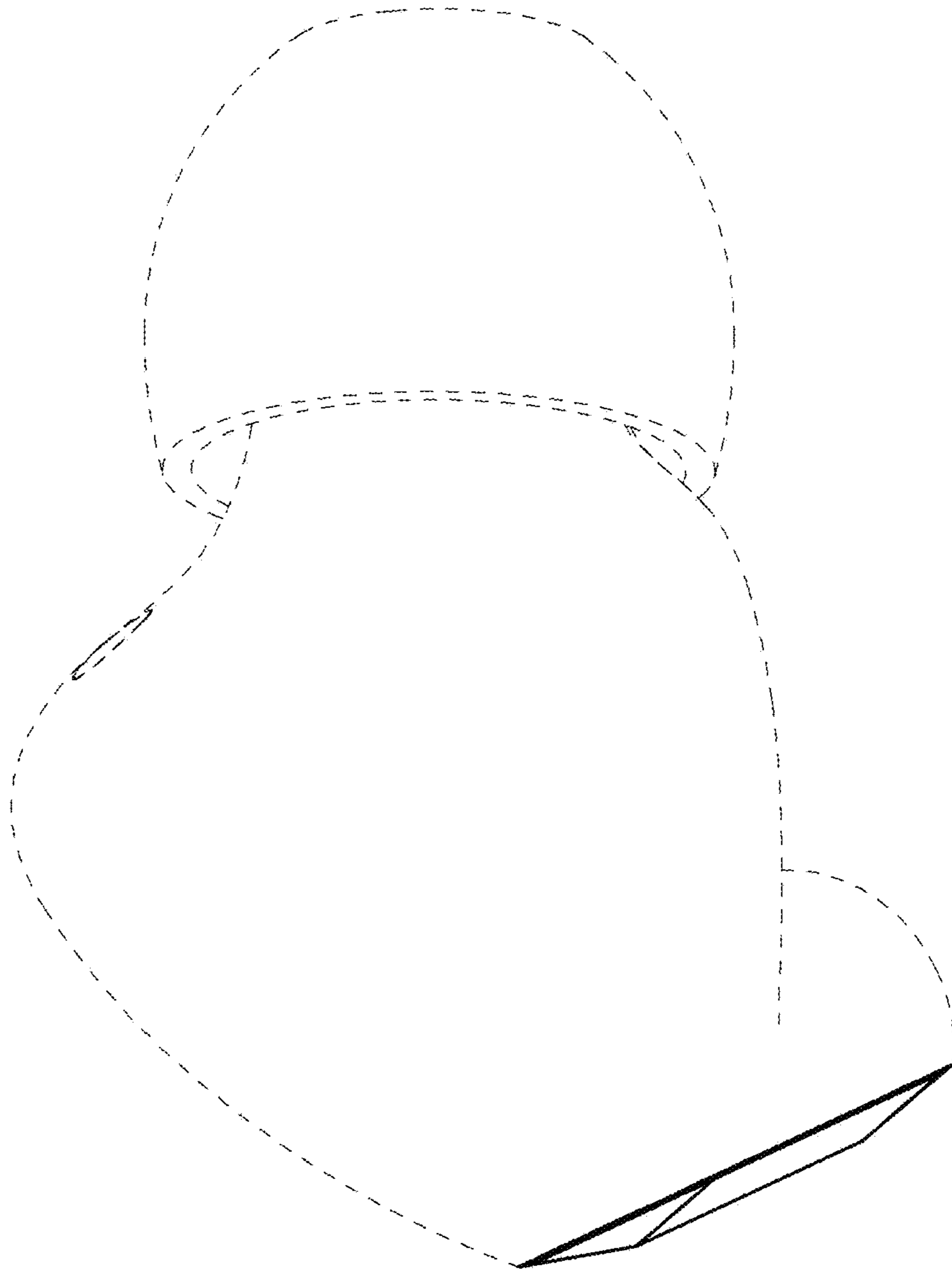
1.4



1.5



1.6



1.7

