



US00D935444S

(12) **United States Design Patent** (10) **Patent No.:** **US D935,444 S**
Xu (45) **Date of Patent:** **** Nov. 9, 2021**

(54) **BLUETOOTH SPEAKER**
(71) Applicant: **POWER BEAUTY(DONGGUAN) INDUSTRIAL CO., LTD.**, Dongguan (CN)
(72) Inventor: **Yiqun Xu**, Dongguan (CN)
(73) Assignee: **POWER BEAUTY(DONGGUAN) INDUSTRIAL CO., LTD.**, Dongguan (CN)

(**) Term: **15 Years**

(21) Appl. No.: **29/712,389**

(22) Filed: **Nov. 7, 2019**

(51) **LOC (13) Cl.** **14-01**

(52) **U.S. Cl.**
USPC **D14/215**

(58) **Field of Classification Search**
USPC D14/209–219, 167–168, 170–172, 188, D14/199, 194–196, 204, 221–222, 224, D14/496, 265; D21/516, 513
CPC H04R 1/02; H04R 1/021; H04R 1/023; H04R 5/00; H04R 9/06; H04R 2420/07; H04R 1/025; H04R 1/026; H04R 1/26; H04R 1/2888; H04R 1/403; H04R 5/02; H04R 19/02; H04R 2400/00
See application file for complete search history.

(56) **References Cited**

U.S. PATENT DOCUMENTS

D726,155 S * 4/2015 Cheng D14/216
D765,618 S * 9/2016 Alves D14/216
D786,829 S * 5/2017 Wang D14/216
D803,813 S * 11/2017 Rouffiat D14/216
D828,323 S * 9/2018 Demin D14/172
D838,825 S * 1/2019 Sullivan D23/366
D868,761 S * 12/2019 McWilliam D14/238.1
D885,837 S * 6/2020 Bo D7/510

2015/0252968 A1* 9/2015 Fournier F21S 10/04 362/202
2020/0196038 A1* 6/2020 Curtiss H04R 1/02
2020/0221198 A1* 7/2020 Pupecki H05K 1/189

OTHER PUBLICATIONS

LED rgb color changing ice bucket with bluetooth speaker, <https://www.tradees.com/>, [online], [site visited Dec. 1, 2020], Available from internet URL: https://www.tradees.com/detail-powerbeauty/LED-rgb-color-changing-ice-bucket-with-bluetooth-speaker-lighting-up-wireless-speaker-with-led_446267/ (Year: 2020).*

* cited by examiner

Primary Examiner — Samantha Q Lawrence
Assistant Examiner — Holly M Rodriguez
(74) *Attorney, Agent, or Firm* — ScienBiziP, P.C.

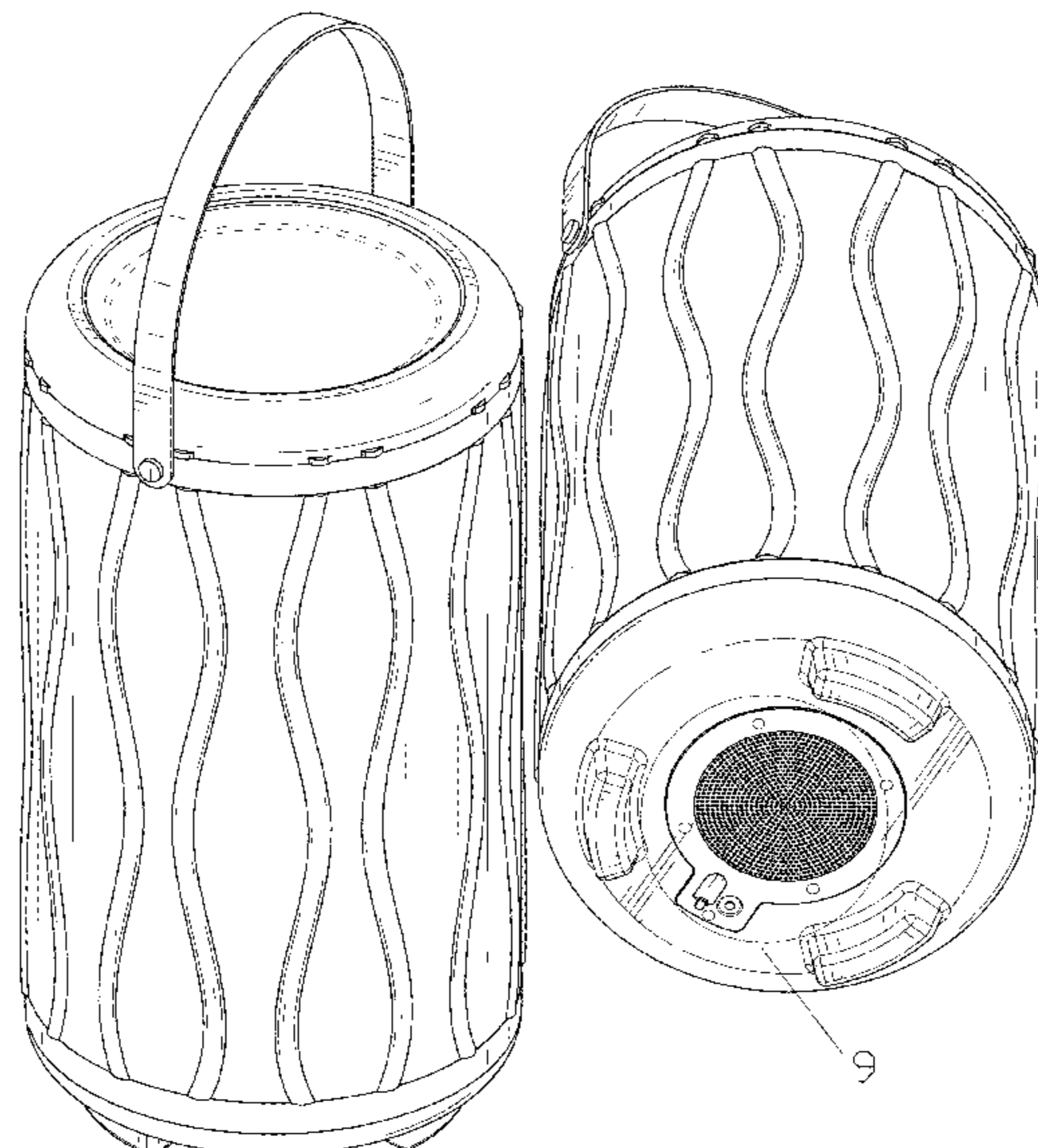
(57) **CLAIM**

The ornamental design for a bluetooth speaker, as shown and described.

DESCRIPTION

FIG. 1 is a top, front, right perspective view of a bluetooth speaker, showing my design.
FIG. 2 is a bottom, rear, left perspective view thereof.
FIG. 3 is a front elevation view thereof.
FIG. 4 is a rear elevation view thereof.
FIG. 5 is a left side elevation view thereof.
FIG. 6 is a right side elevation view thereof.
FIG. 7 is a top plan view thereof.
FIG. 8 is a bottom plan view thereof; and,
FIG. 9 is an enlarged view of a circle labeled 9 in FIG. 2 of the bluetooth speaker.
The evenly spaced broken lines in the drawings illustrate portions of a bluetooth speaker which form no part of the claimed design.
The dot-dot-dash broken lines encircling portions of the claimed design in FIG. 2 that are illustrated in enlargements in FIG. 9, respectively, form no part of the claimed design.

1 Claim, 9 Drawing Sheets



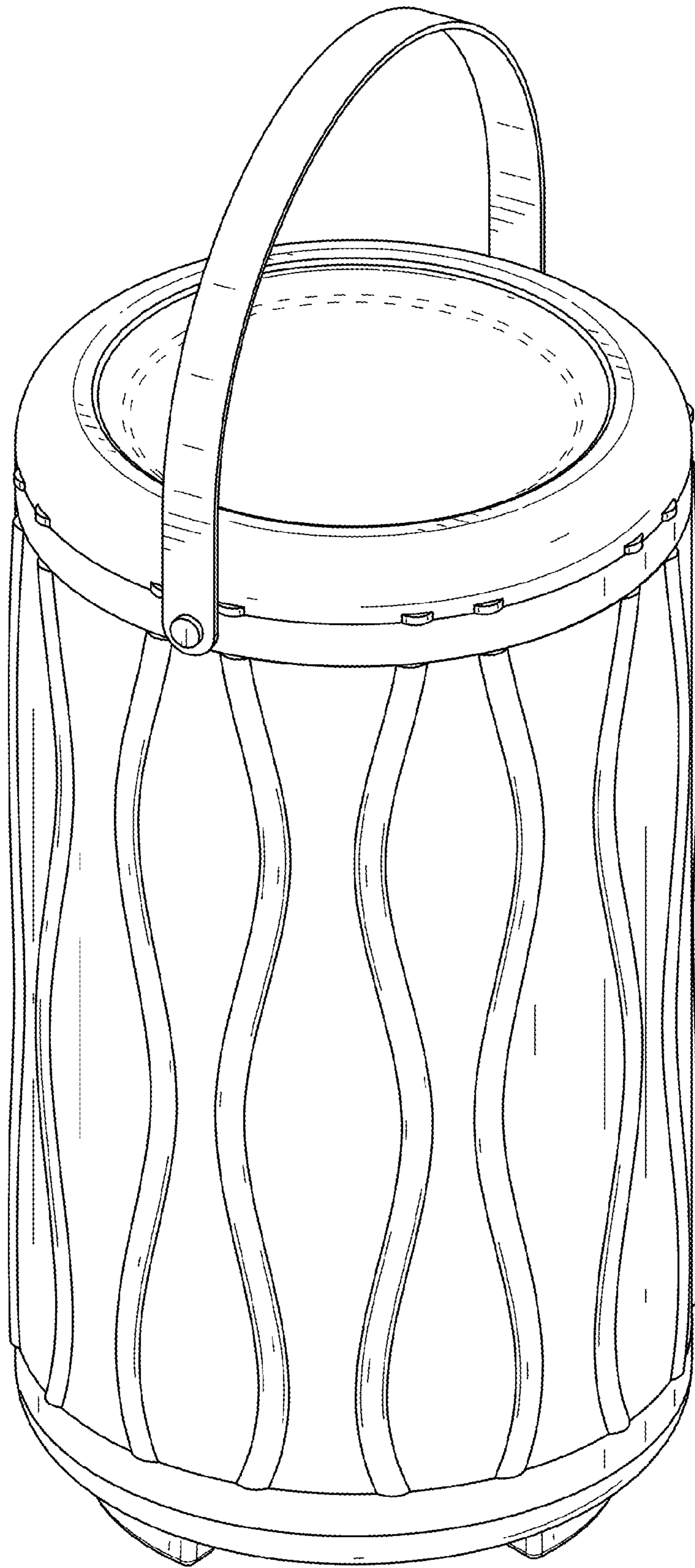


FIG.1

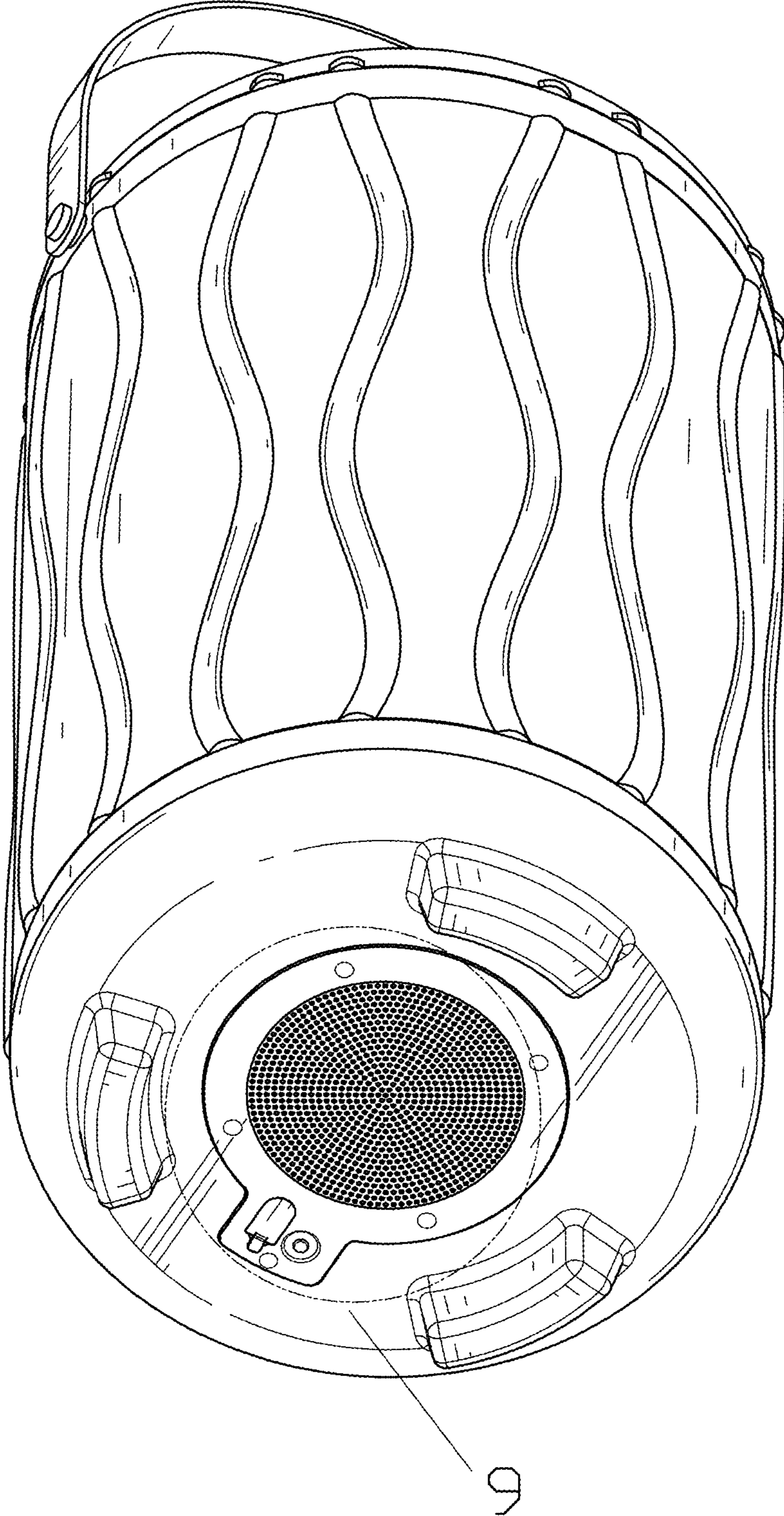


FIG.2

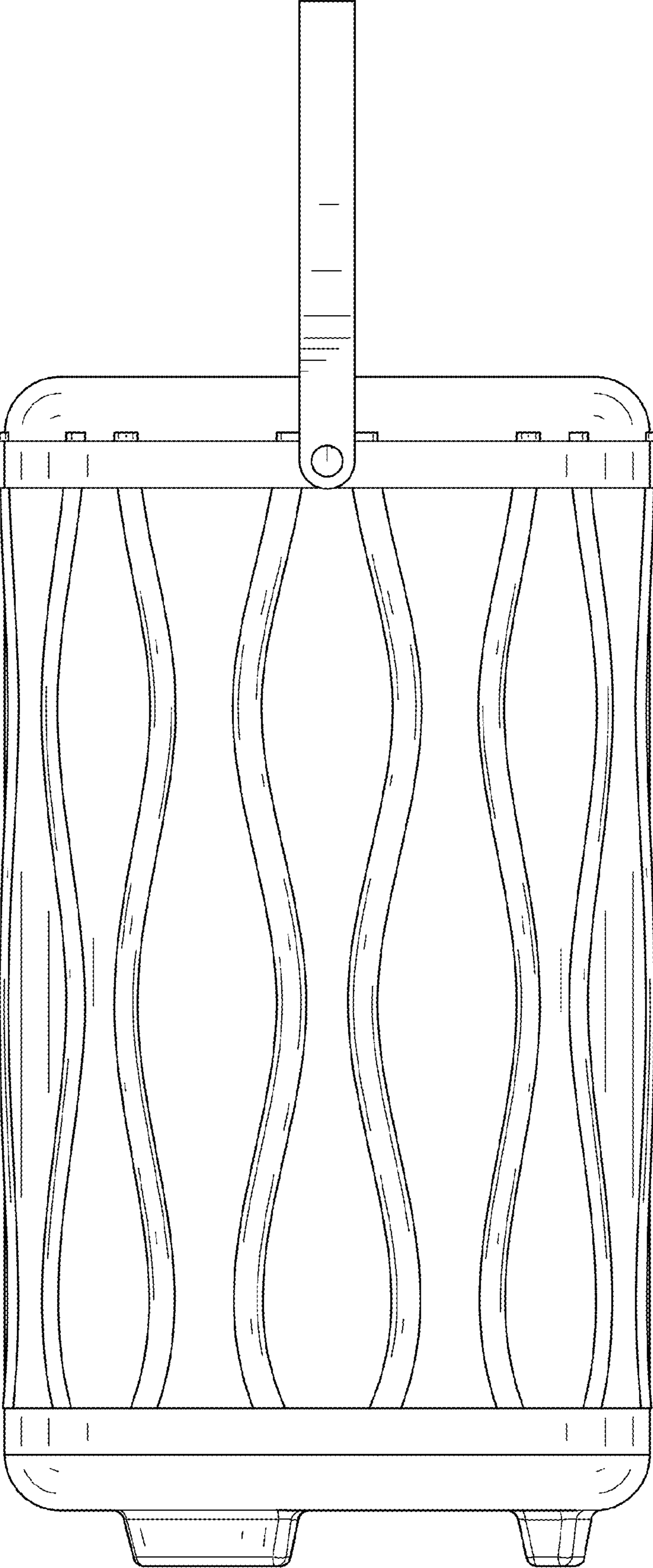


FIG.3

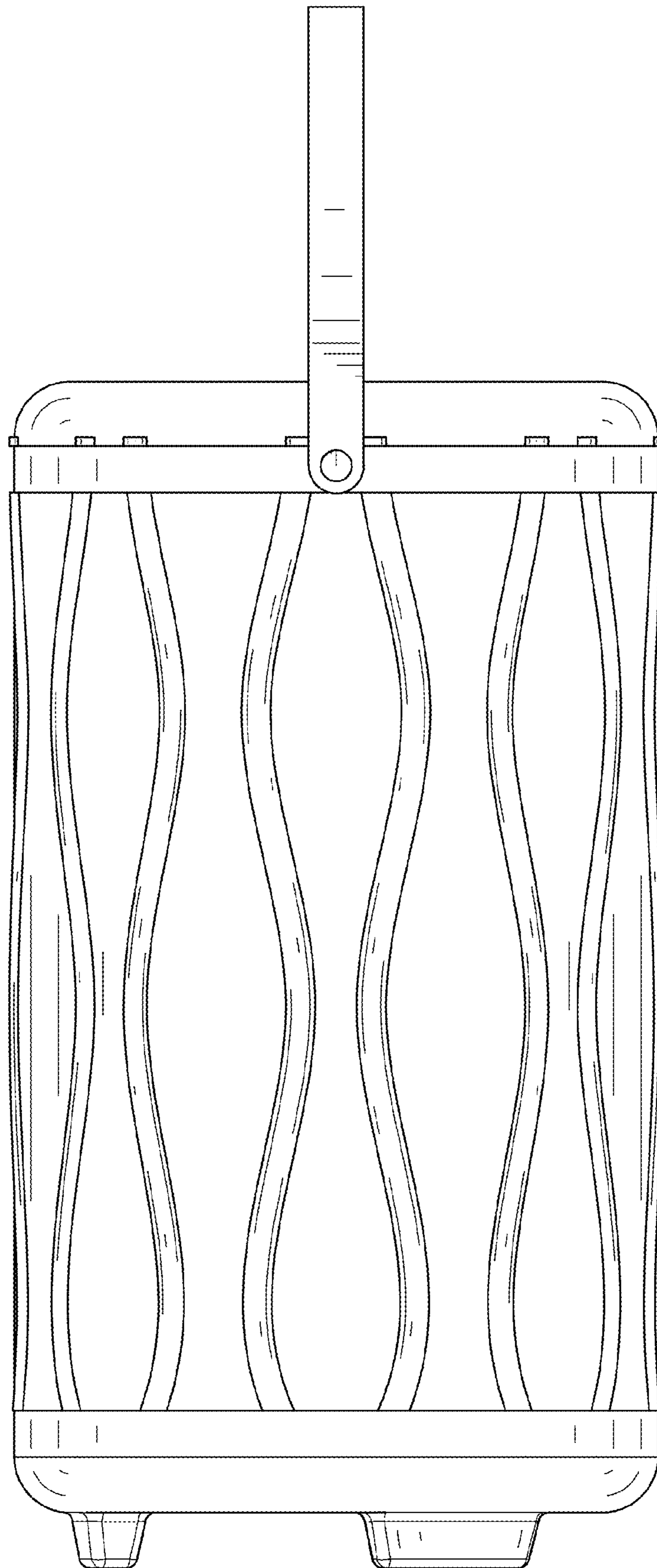


FIG.4

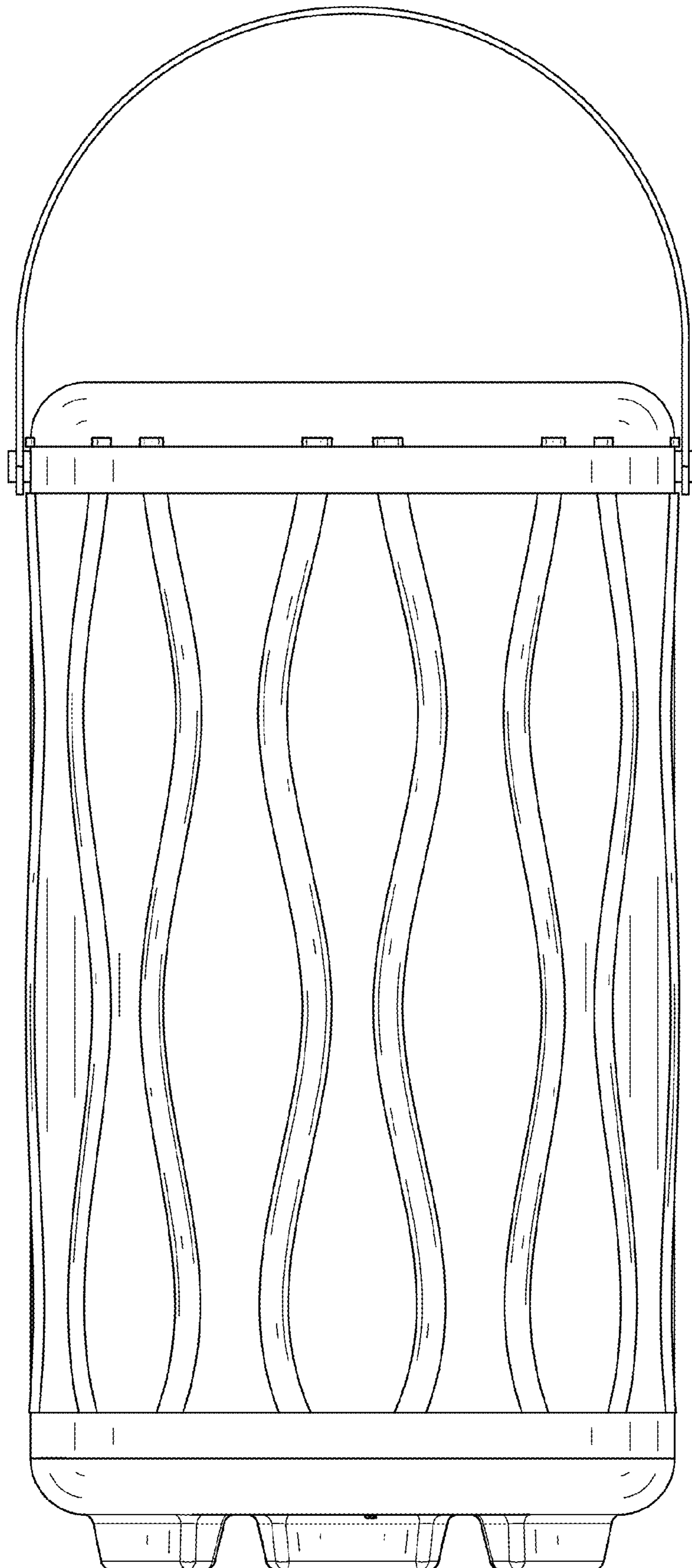


FIG.5

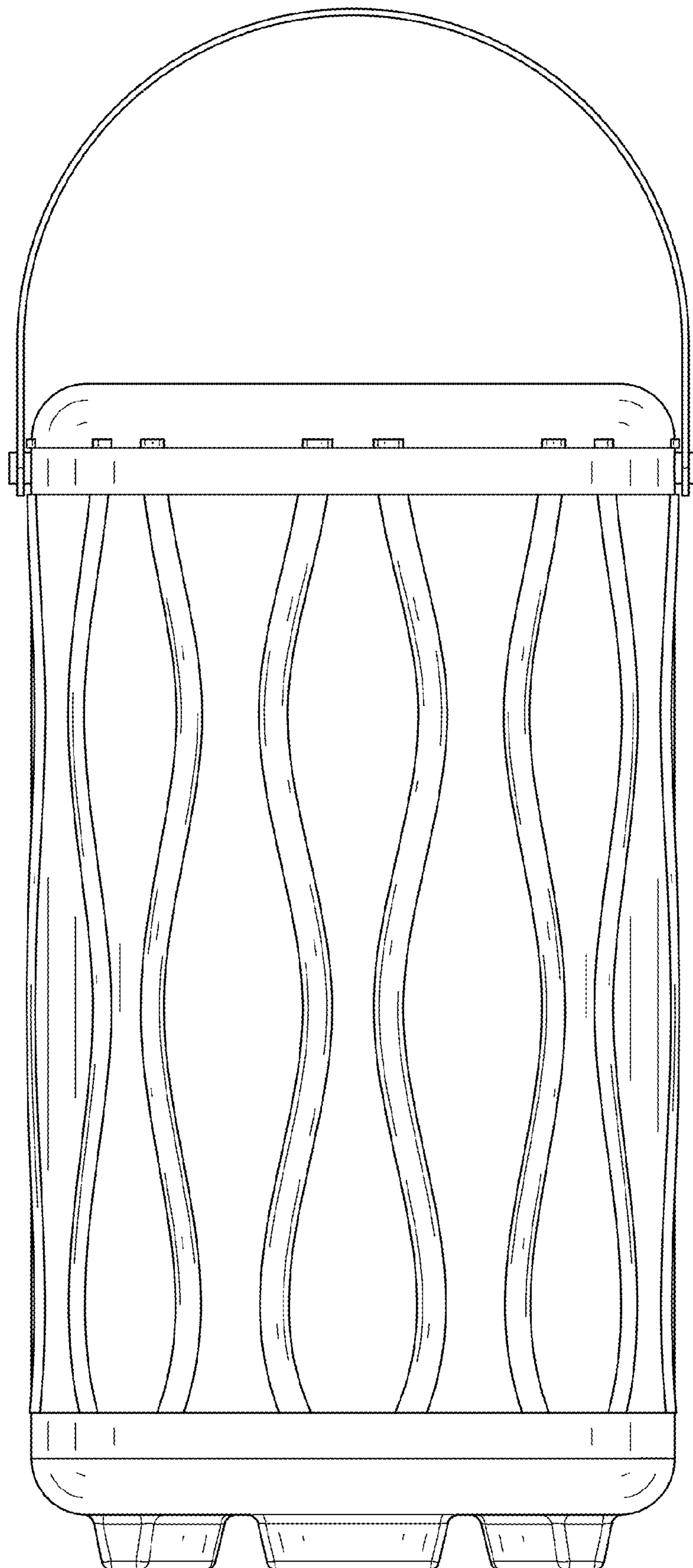


FIG.6

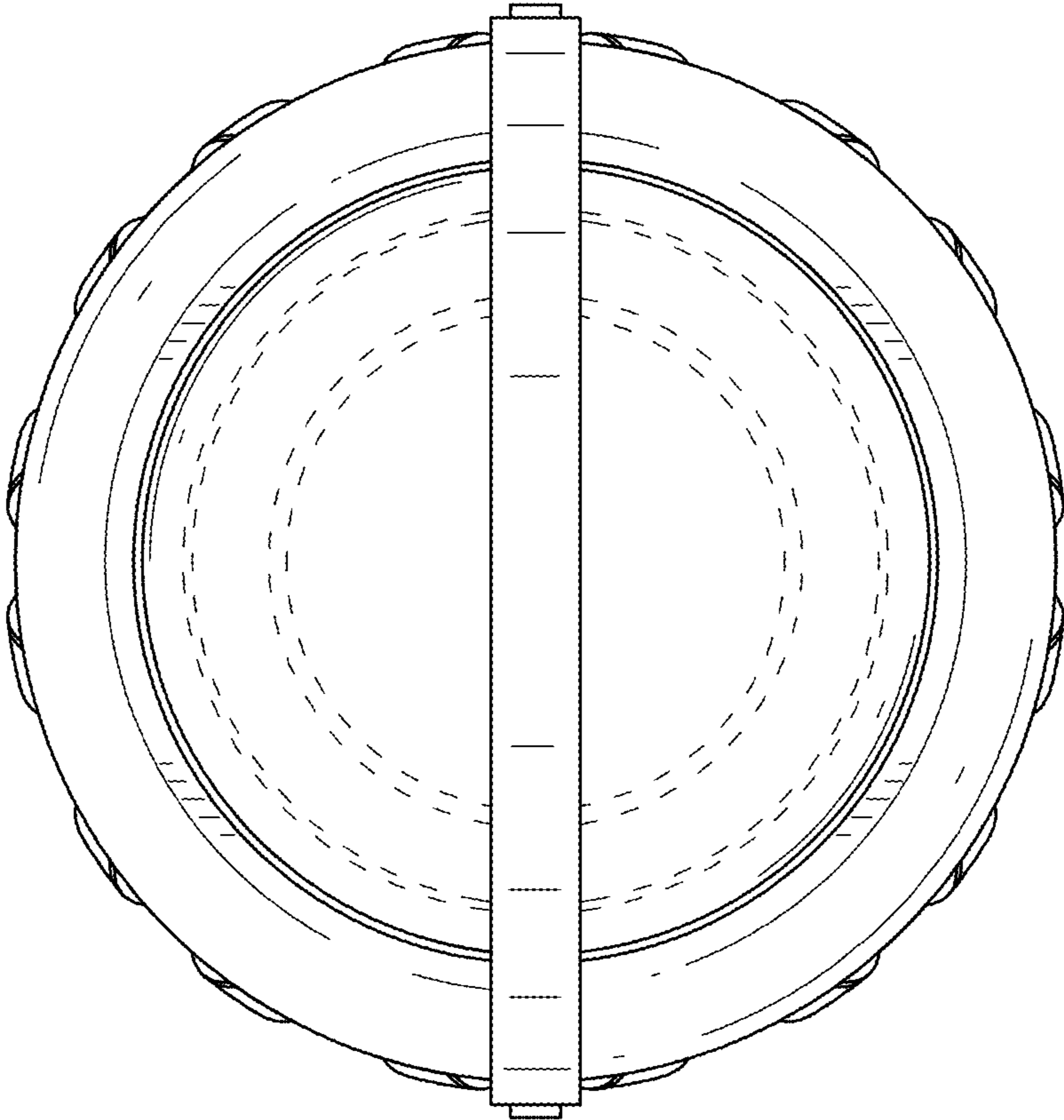


FIG.7

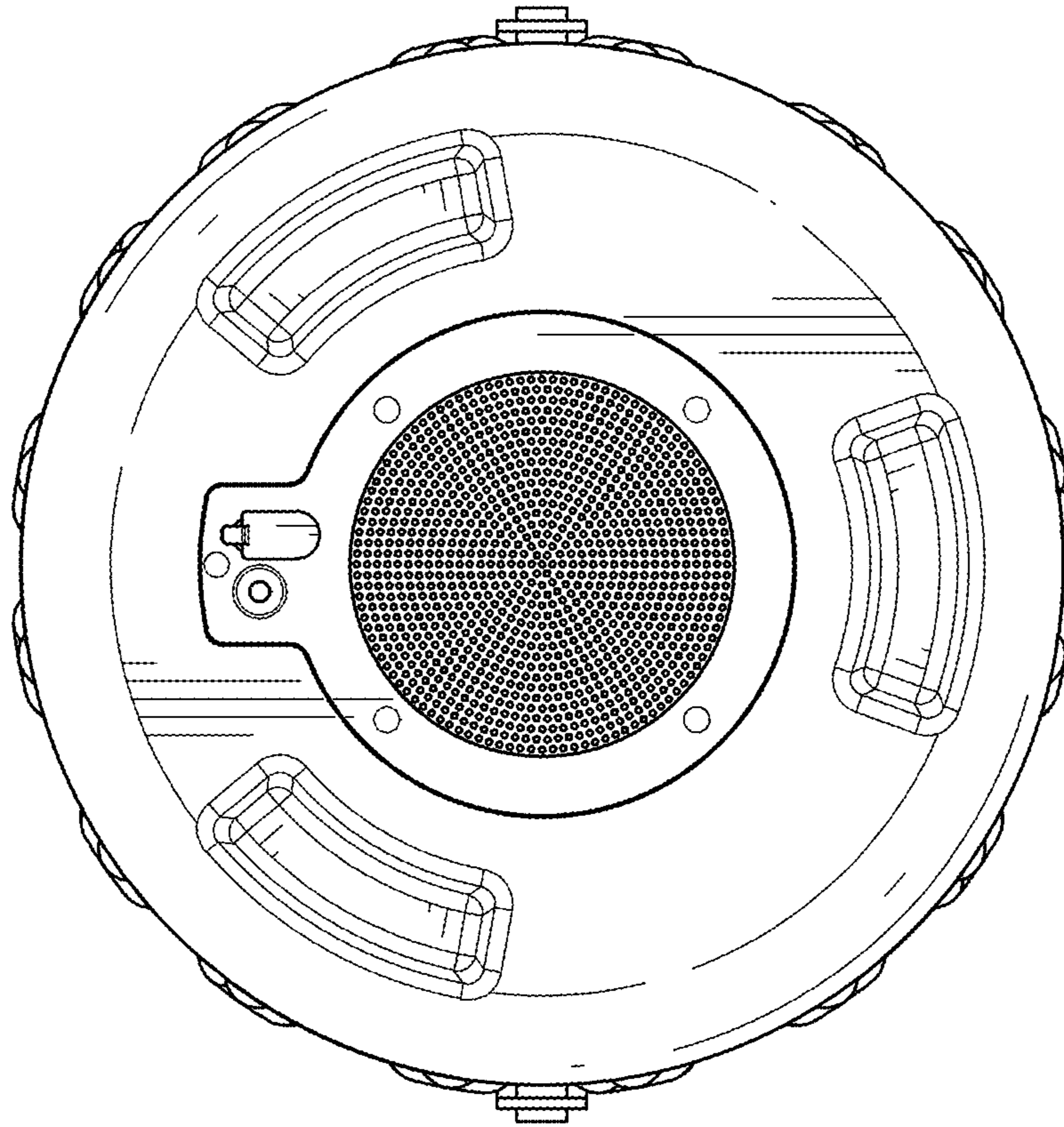


FIG.8

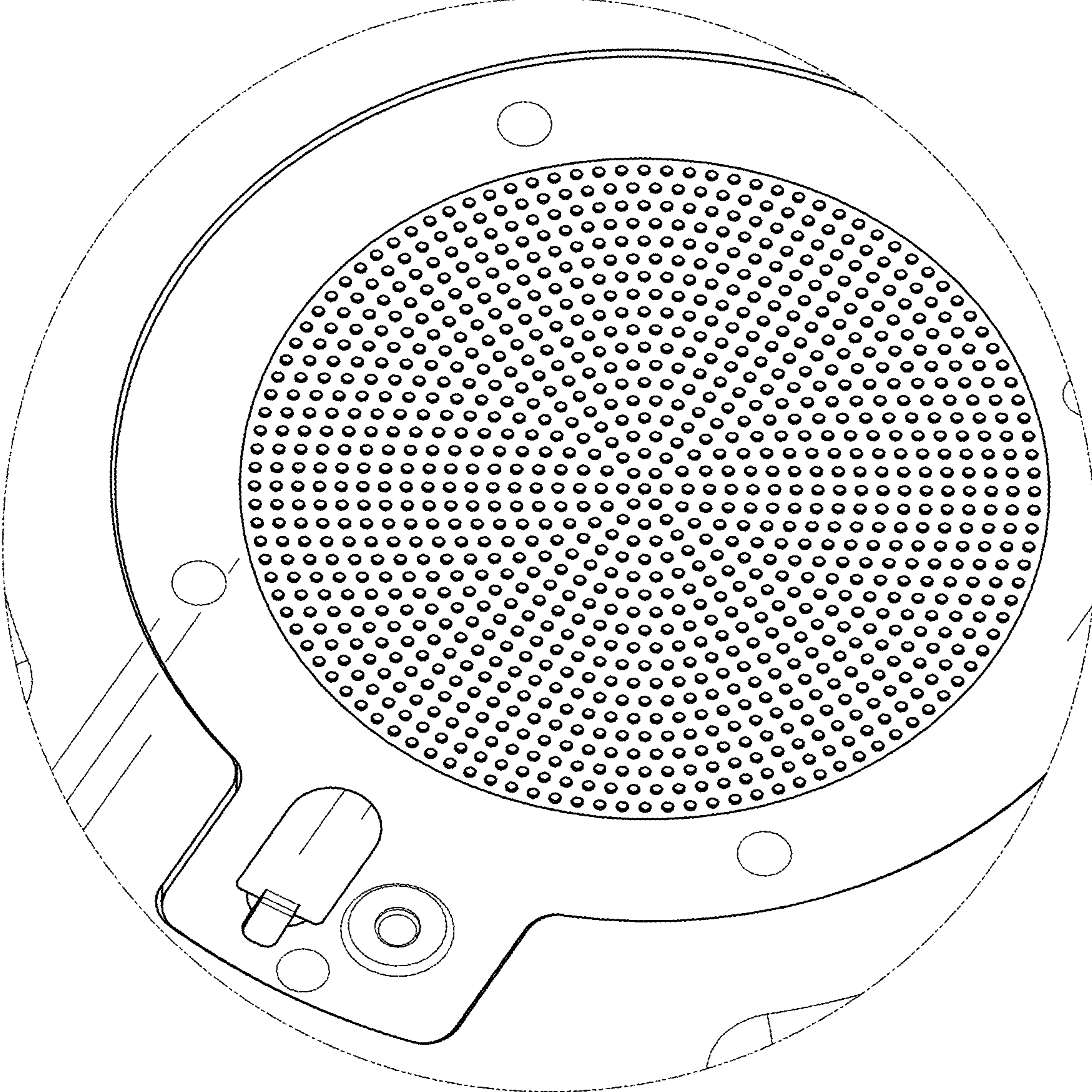


FIG.9