



US00D935443S

(12) **United States Design Patent**  
**Yuan**

(10) **Patent No.:** **US D935,443 S**

(45) **Date of Patent:** **\*\* Nov. 9, 2021**

(54) **SOUNDBAR**

(71) Applicant: **Dongguan Lefang Industrial Co., Ltd.**, Guangdong (CN)

(72) Inventor: **Yun Yuan**, Hubei (CN)

(73) Assignee: **Dongguan Lefang Industrial Co., Ltd.**, Guangdong (CN)

(\*\*) Term: **15 Years**

(21) Appl. No.: **29/750,993**

(22) Filed: **Sep. 17, 2020**

(51) **LOC (13) Cl.** ..... **14-01**

(52) **U.S. Cl.**  
USPC ..... **D14/214**

(58) **Field of Classification Search**  
USPC ..... D14/167, 168, 170–172, 188, 194–196,  
D14/204, 209.1, 210–216, 219, 221, 222,  
D14/224, 239, 496

CPC ..... B60R 11/0217; G06F 1/1688; G10K 9/22;  
G10K 11/004; H03F 1/327; H04M 1/03;  
H04M 1/035; H04N 5/642; H04N  
21/4852; H04R 1/02; H04R 1/06; H04R  
1/021; H04R 1/025; H04R 1/026; H04R  
1/028; H04R 1/105; H04R 1/323; H04R  
1/403; H04R 1/2803; H04R 1/2834;  
H04R 5/02; H04R 7/20; H04R 9/06;  
H04R 9/025; H04R 2201/021; H04R  
2400/00; H04R 2201/07; H04R 2499/11;  
H04R 2499/13; H04R 2499/15; H04S  
3/00; H04S 7/30

See application file for complete search history.

(56) **References Cited**

**U.S. PATENT DOCUMENTS**

D491,165 S \* 6/2004 Hakoda ..... D14/214  
D659,677 S \* 5/2012 Kim ..... D14/214

D685,349 S \* 7/2013 Ohno ..... D14/221  
D715,763 S \* 10/2014 Ryu ..... D14/204  
D754,629 S \* 4/2016 Kim ..... D14/204  
D791,736 S 7/2017 Schoolmeester et al.  
D793,362 S \* 8/2017 Fischer ..... D14/214  
D806,055 S \* 12/2017 Fischer ..... D14/214  
D886,076 S \* 6/2020 Zhao ..... D14/204  
D888,005 S 6/2020 Gu  
D888,006 S \* 6/2020 Zhoufeng ..... D14/204  
D893,455 S \* 8/2020 Winton ..... D14/212  
D904,335 S \* 12/2020 Chen ..... D14/204

\* cited by examiner

*Primary Examiner* — Keli L Hill

(74) *Attorney, Agent, or Firm* — ScienBiziP, P.C.

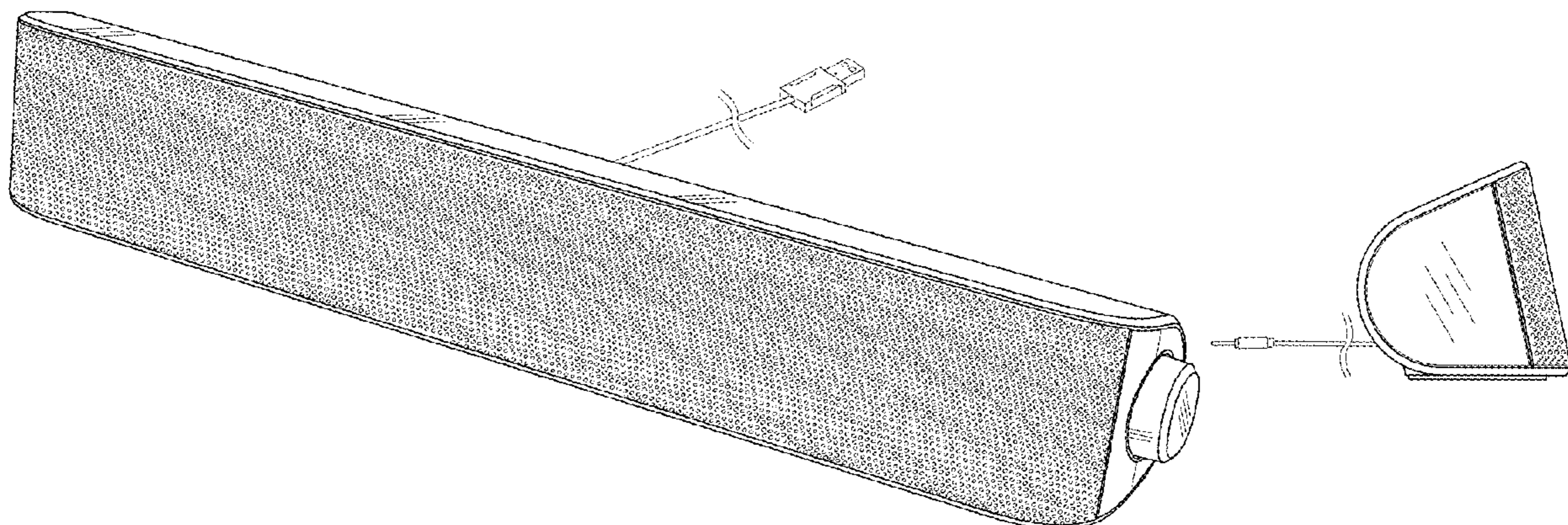
(57) **CLAIM**

The ornamental design for a soundbar, as shown and described.

**DESCRIPTION**

FIG. 1 is a perspective view of a soundbar, showing my design.  
FIG. 2 is a front elevation view thereof.  
FIG. 3 is a rear elevation view thereof.  
FIG. 4 is a left side elevation thereof.  
FIG. 5 is a right side elevation thereof.  
FIG. 6 is a top plan view thereof.  
FIG. 7 is a bottom plan view thereof; and,  
FIG. 8 is an enlarged view of an area labeled 8 in FIG. 2.  
The broken lines in the drawings depict environmental structure and boundaries and form no part of the claimed design.

**1 Claim, 8 Drawing Sheets**



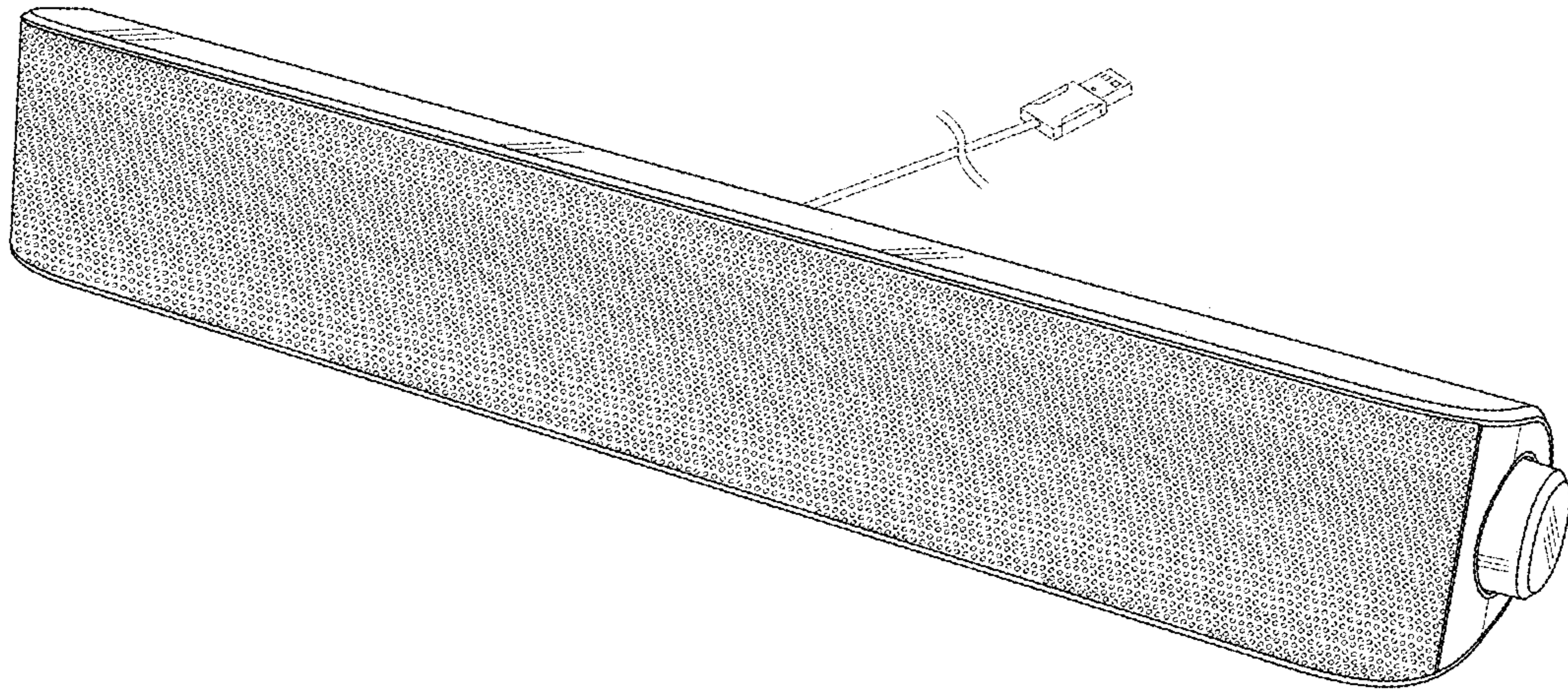


FIG. 1

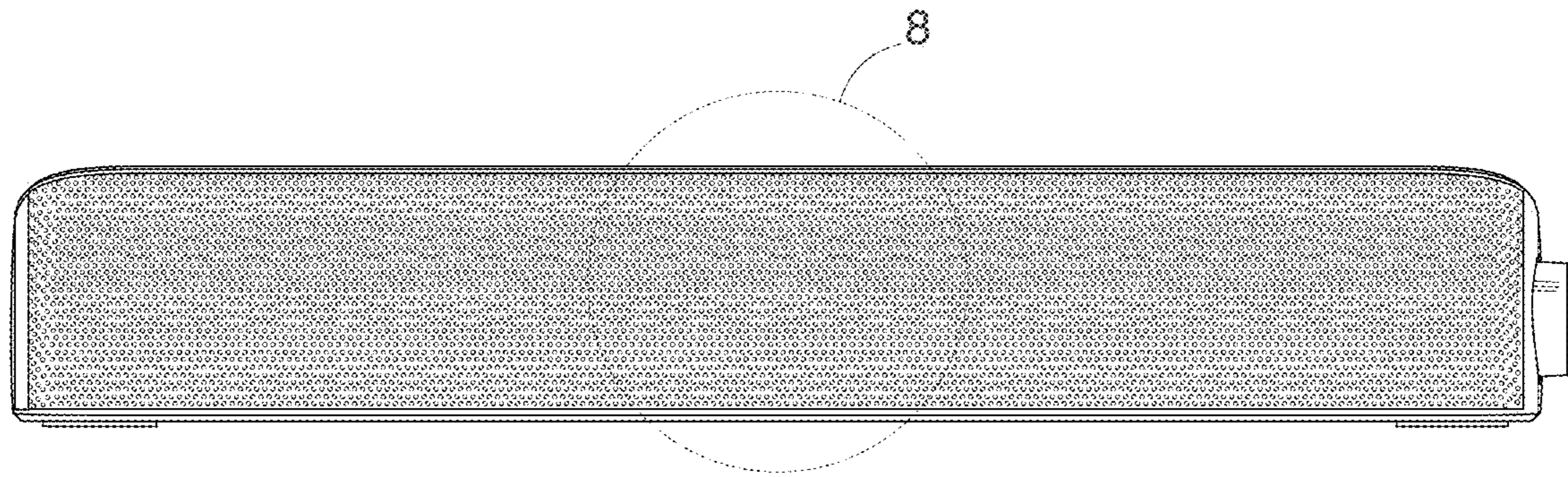


FIG.2

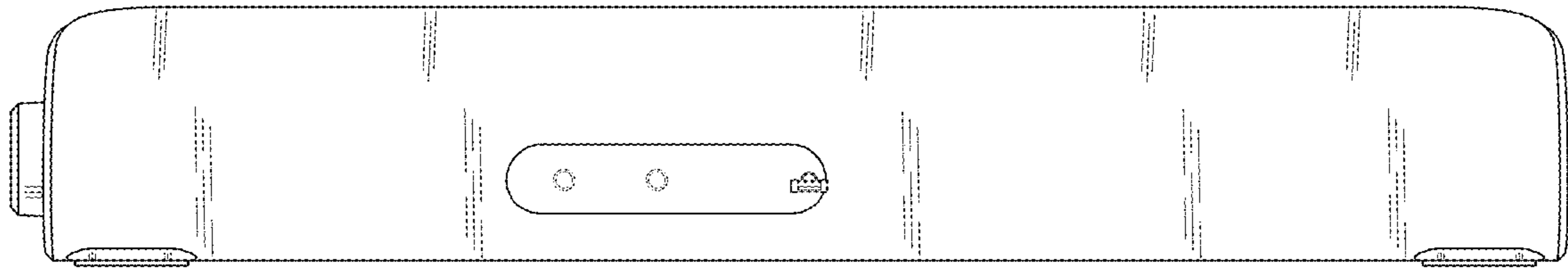


FIG.3

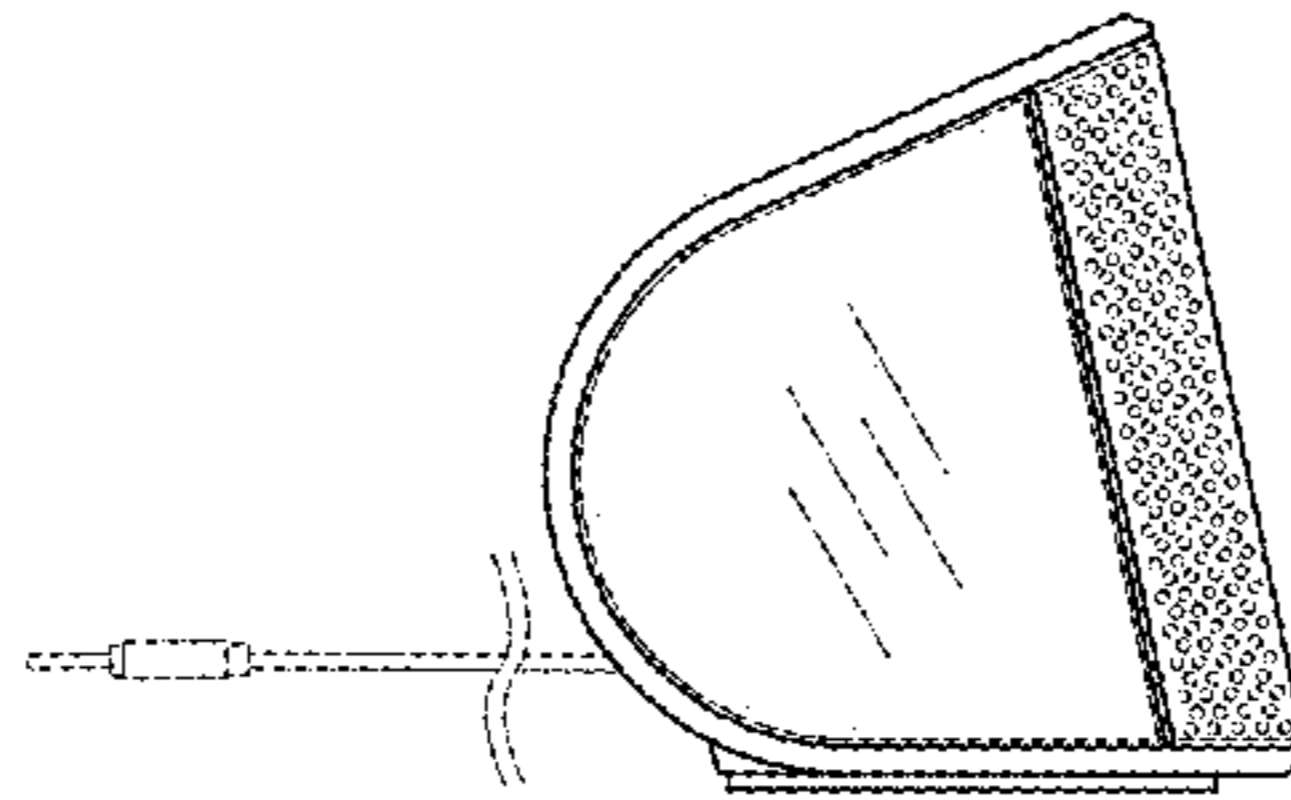


FIG.4

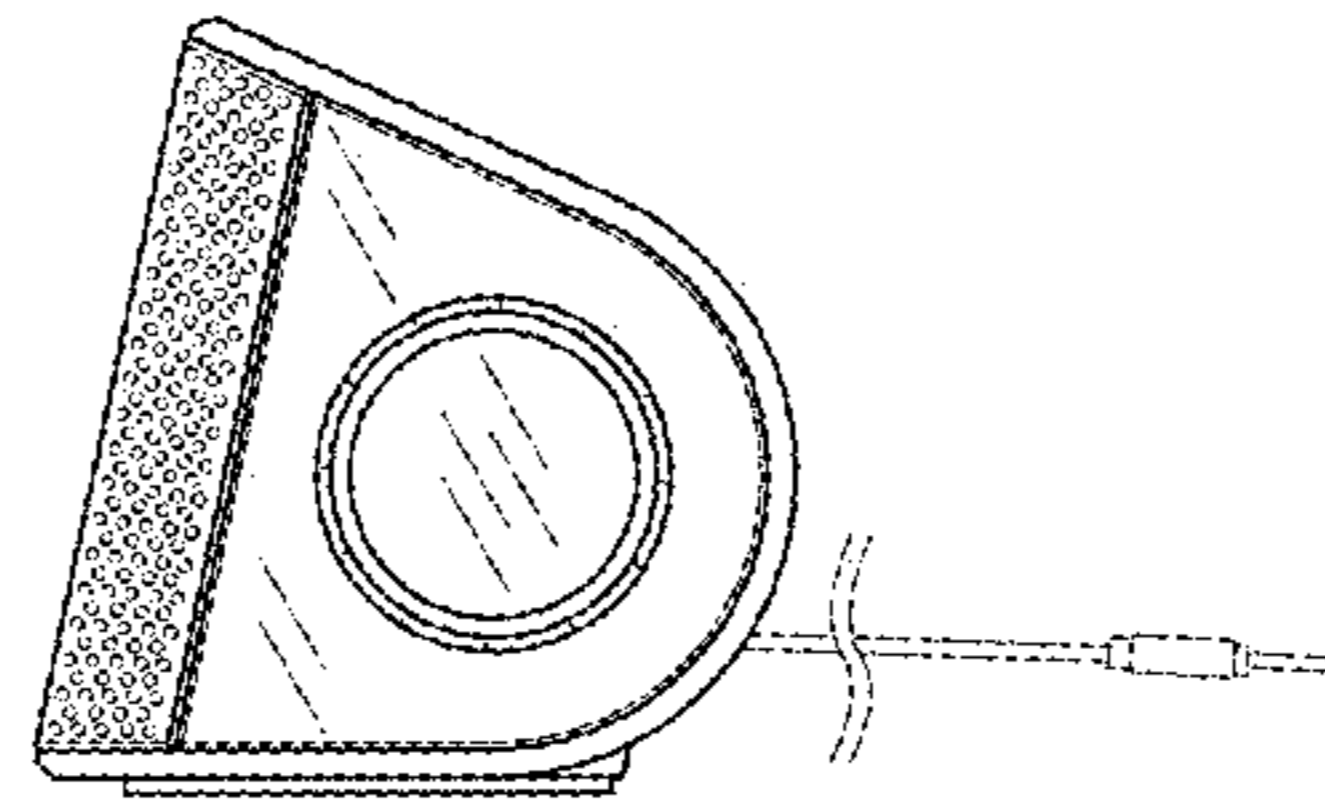


FIG.5

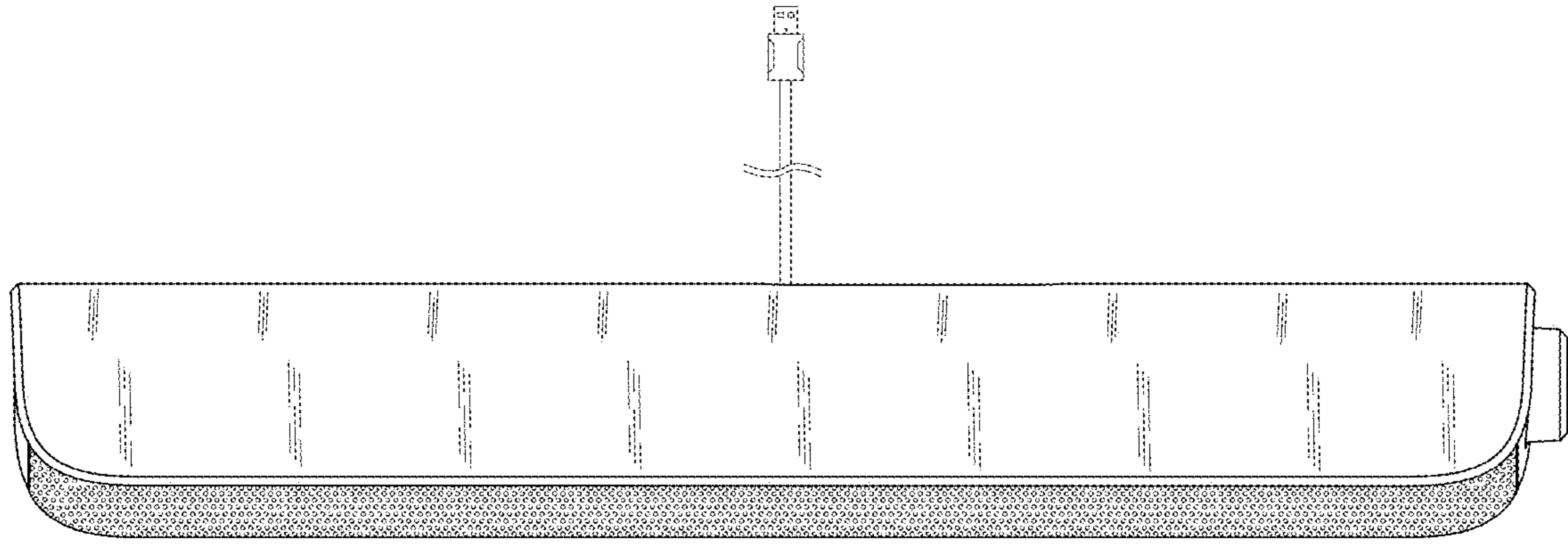


FIG.6

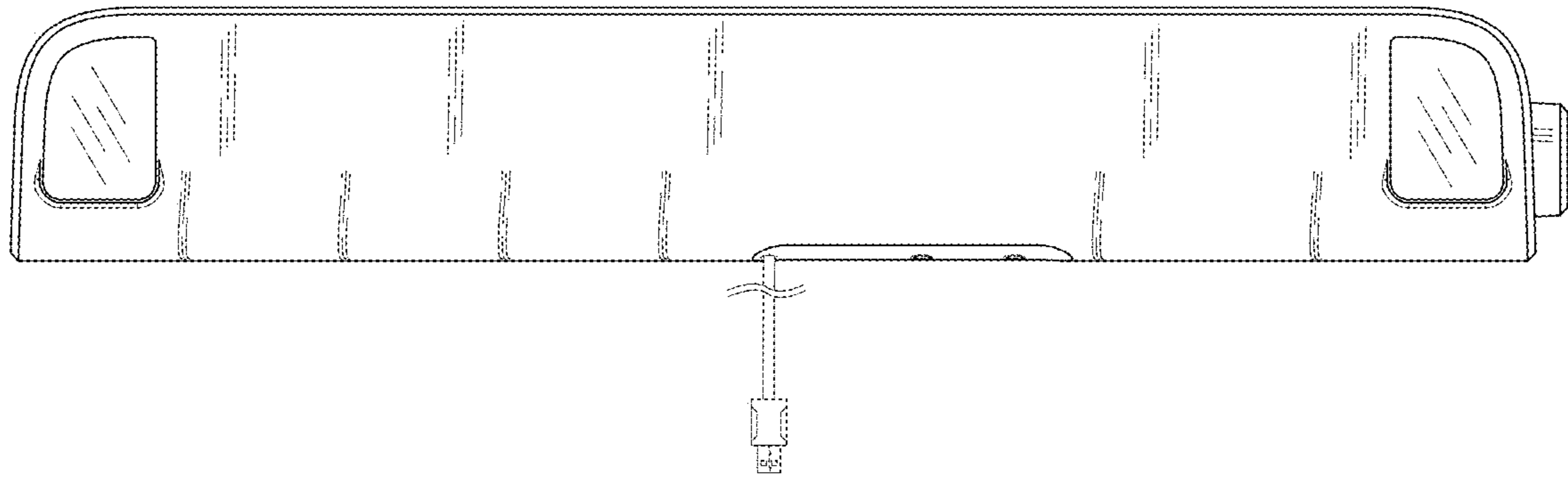


FIG.7



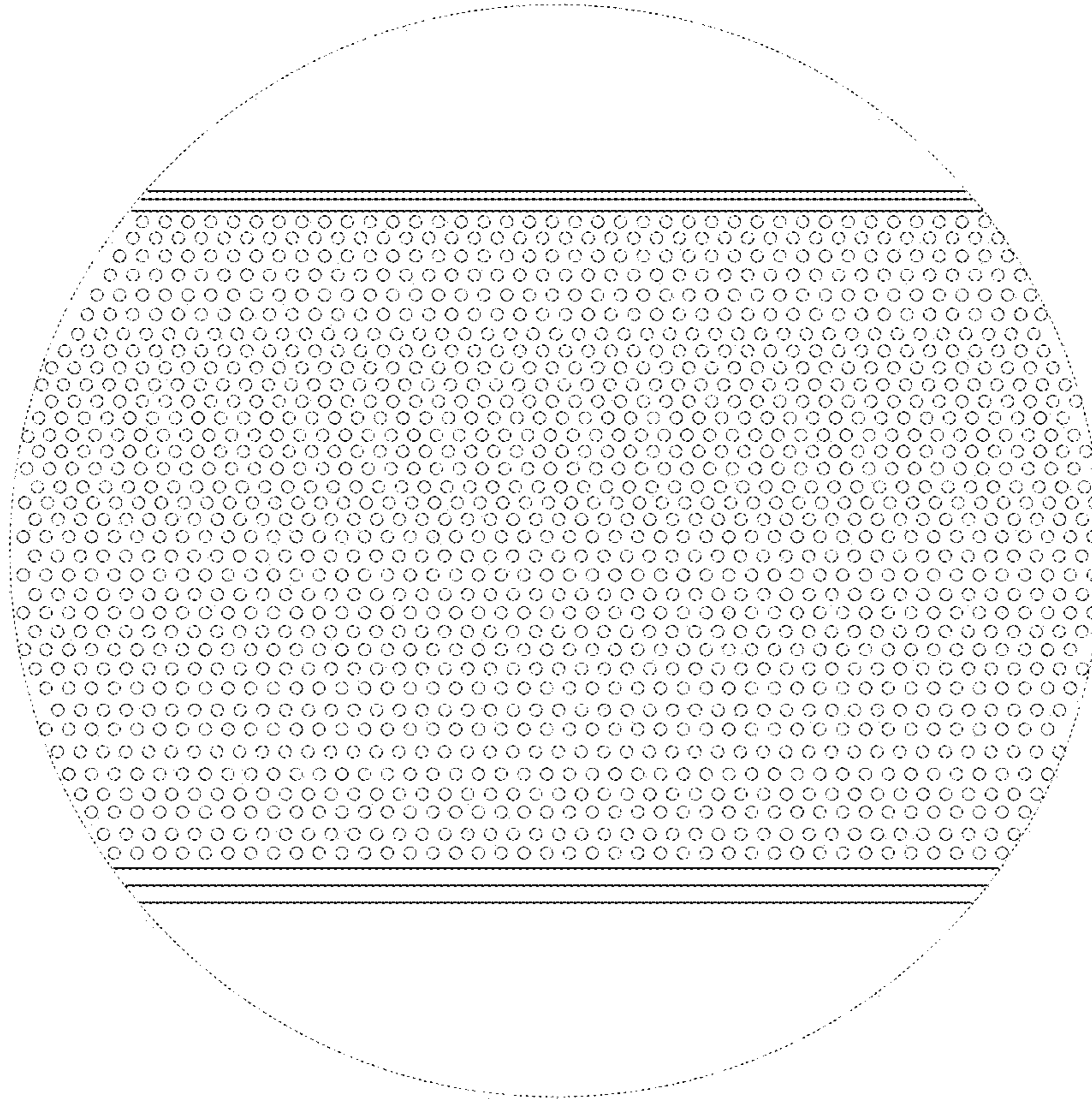


FIG.8