



US00D935441S

(12) **United States Design Patent** (10) **Patent No.:** **US D935,441 S**
Liu (45) **Date of Patent:** **** Nov. 9, 2021**

(54) **GAMING HEADPHONE**

(71) Applicant: **Ming Liu, Jiangxi (CN)**

(72) Inventor: **Ming Liu, Jiangxi (CN)**

(**) Term: **15 Years**

(21) Appl. No.: **29/718,387**

(22) Filed: **Dec. 24, 2019**

(51) **LOC (13) Cl.** **14-01**

(52) **U.S. Cl.**
USPC **D14/206; D14/226**

(58) **Field of Classification Search**
USPC D14/206, 226, 225, 188, 192; D29/112;
2/209; 381/380, 381, 370, 374;
455/90.3, 575.1, 569.1; D8/311
CPC H04R 25/00; H04R 25/02; H04R 1/1066;
H04R 1/1016; H04R 5/033; H04R
5/0335; H04R 19/04; H04R 11/04; H04R
1/1008; H04R 1/1041

See application file for complete search history.

(56) **References Cited**

U.S. PATENT DOCUMENTS

1,547,431	A *	7/1925	Mallory	F16L 51/04 92/34
2,688,678	A *	9/1954	Henderson	H01R 33/9555 200/333
3,104,398	A *	9/1963	Palmaer	A61F 11/14 2/209
D229,833	S *	1/1974	Becker	D14/205
3,794,080	A *	2/1974	Huston	F16L 35/00 138/121
D233,444	S *	10/1974	Christian	D14/206
D322,071	S *	12/1991	Bergin	D14/206
D377,174	S *	1/1997	Runquist	D14/206
D379,990	S *	6/1997	Bungardt	D14/228
D406,140	S *	2/1999	Hall	D14/205
D411,200	S *	6/1999	Almqvist	D14/192
D432,527	S *	10/2000	DeLeon	D14/225
D458,597	S *	6/2002	Davies	D14/206

D462,946	S *	9/2002	Beraut	D14/228
D476,645	S *	7/2003	Padala	D14/223
D512,708	S *	12/2005	Harris, Jr.	D14/205
D541,255	S *	4/2007	Taylor	D14/205
D585,871	S *	2/2009	Lee	D14/205
D587,684	S *	3/2009	Ham	D14/205
D592,639	S *	5/2009	Kuh	D14/205

(Continued)

FOREIGN PATENT DOCUMENTS

EM	007448337-0001	*	12/2019
EM	008050751-0001	*	7/2020

OTHER PUBLICATIONS

Gaming Headset Head-Mounted Professional Gaming Headset RGB Colorful Lighting Mic PC for Phone PSA XBOX Switch Gamer Wired Headphone (Color:Black) retrieved from internet May 24, 2021, <https://www.amazon.co.uk/s?k=gaming+headphones+with+mic&page=15&crd=3FCQK> (Year: 2021).*

Primary Examiner — Paula Allen Greene

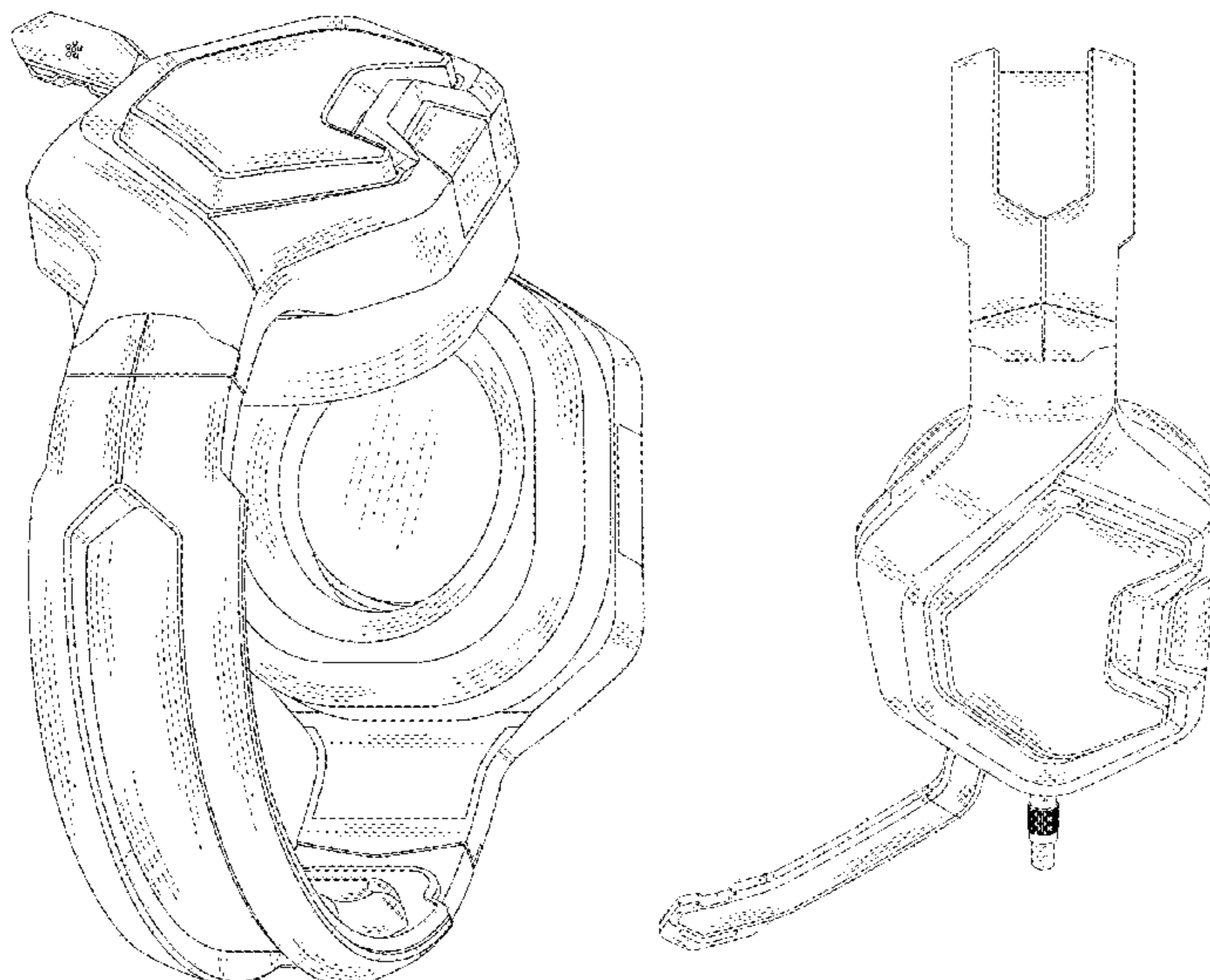
(57) **CLAIM**

The ornamental design for a gaming headphone, as shown and described.

DESCRIPTION

FIG. 1 is a perspective view of a gaming headphone showing my new design;
FIG. 2 is a front elevation view thereof;
FIG. 3 is a rear elevation view thereof;
FIG. 4 is a left side elevation view thereof;
FIG. 5 is a right side elevation view thereof;
FIG. 6 is a top plan view thereof;
FIG. 7 is a bottom plan view thereof; and,
FIG. 8 is an enlarged view of the gaming headphone taken from the circle portion in FIG. 2.
The broken lines depict environment only and form no part of the claimed design.

1 Claim, 8 Drawing Sheets



(56)

References Cited

U.S. PATENT DOCUMENTS

D594,847 S *	6/2009	Suzuki	D14/205	D856,967 S *	8/2019	Tang	D14/206
D602,908 S *	10/2009	Ham	D14/206	D856,968 S *	8/2019	Tang	D14/206
D613,266 S *	4/2010	Barry	D14/205	D856,969 S *	8/2019	Tang	D14/206
D637,579 S *	5/2011	Hamaura	D14/205	D856,970 S *	8/2019	Tang	D14/206
D651,764 S *	1/2012	Gresko	A61F 11/14	D856,971 S *	8/2019	Tang	D14/206
				D29/112	D859,355 S *	9/2019	Hu	D14/205
D662,080 S *	6/2012	Carr	D14/205	D864,153 S *	10/2019	Hu	D14/205
D673,524 S *	1/2013	Brennwald	D14/206	D864,156 S *	10/2019	Liu	D14/206
D699,216 S *	2/2014	Bonahoom	D14/205	D864,903 S *	10/2019	Liu	D14/206
D706,244 S *	6/2014	Goransson	D14/225	D866,515 S *	11/2019	Long	D14/206
8,767,996 B1 *	7/2014	Lin	G06F 3/165	D868,734 S *	12/2019	Wang	D14/206
				381/380	D870,696 S *	12/2019	Deng	D14/206
D721,052 S *	1/2015	Carr	D14/205	D870,698 S *	12/2019	Long	D14/206
D727,286 S *	4/2015	Galler	D14/205	D872,050 S *	1/2020	Liu	D14/206
D729,196 S *	5/2015	Liu	D14/205	D875,711 S *	2/2020	Long	D14/205
D733,677 S *	7/2015	Ling	D14/206	D876,387 S *	2/2020	Liu	D14/205
D734,297 S *	7/2015	Sasaki	D14/205	D876,392 S *	2/2020	Zhou	D14/206
D740,256 S *	10/2015	Carr	D14/206	D877,116 S *	3/2020	Liu	D14/206
D752,017 S *	3/2016	Daniel	D14/205	D880,450 S *	4/2020	Liu	D14/206
D778,258 S *	2/2017	Hsu	D14/205	D883,950 S *	5/2020	Liu	D14/206
D782,999 S *	4/2017	Spio	D14/206	D890,131 S *	7/2020	Shen	D14/206
D791,734 S *	7/2017	Ou	D14/206	D891,398 S *	7/2020	Chen	D14/206
D799,452 S *	10/2017	Lee	D14/223	D891,399 S *	7/2020	Chen	D14/206
D815,614 S *	4/2018	Tzeng	D14/205	D893,454 S *	8/2020	Li	D14/206
D836,084 S *	12/2018	Xie	D14/205	D894,869 S *	9/2020	Tang	D14/206
D838,687 S *	1/2019	Wu	D14/205	D899,402 S *	10/2020	Shen	D14/206
D840,370 S *	2/2019	Kelly	D14/205	D900,069 S *	10/2020	Murata	D14/225
D840,373 S *	2/2019	Lee	D14/206	D909,337 S *	2/2021	Liu	D14/206
D845,927 S *	4/2019	Wang	D14/206	2012/0288131 A1 *	11/2012	Vaerum	H04R 1/1066
D847,781 S *	5/2019	Chen	D14/206					381/378
D851,064 S *	6/2019	Wang	D14/206	2015/0281850 A1 *	10/2015	Wang	H04R 5/033
D853,988 S *	7/2019	Wang	D14/206					381/74
					2019/0110122 A1 *	4/2019	Zelnick	H04R 1/1066
					2019/0238998 A1 *	8/2019	Zhang	H04R 1/04

* cited by examiner

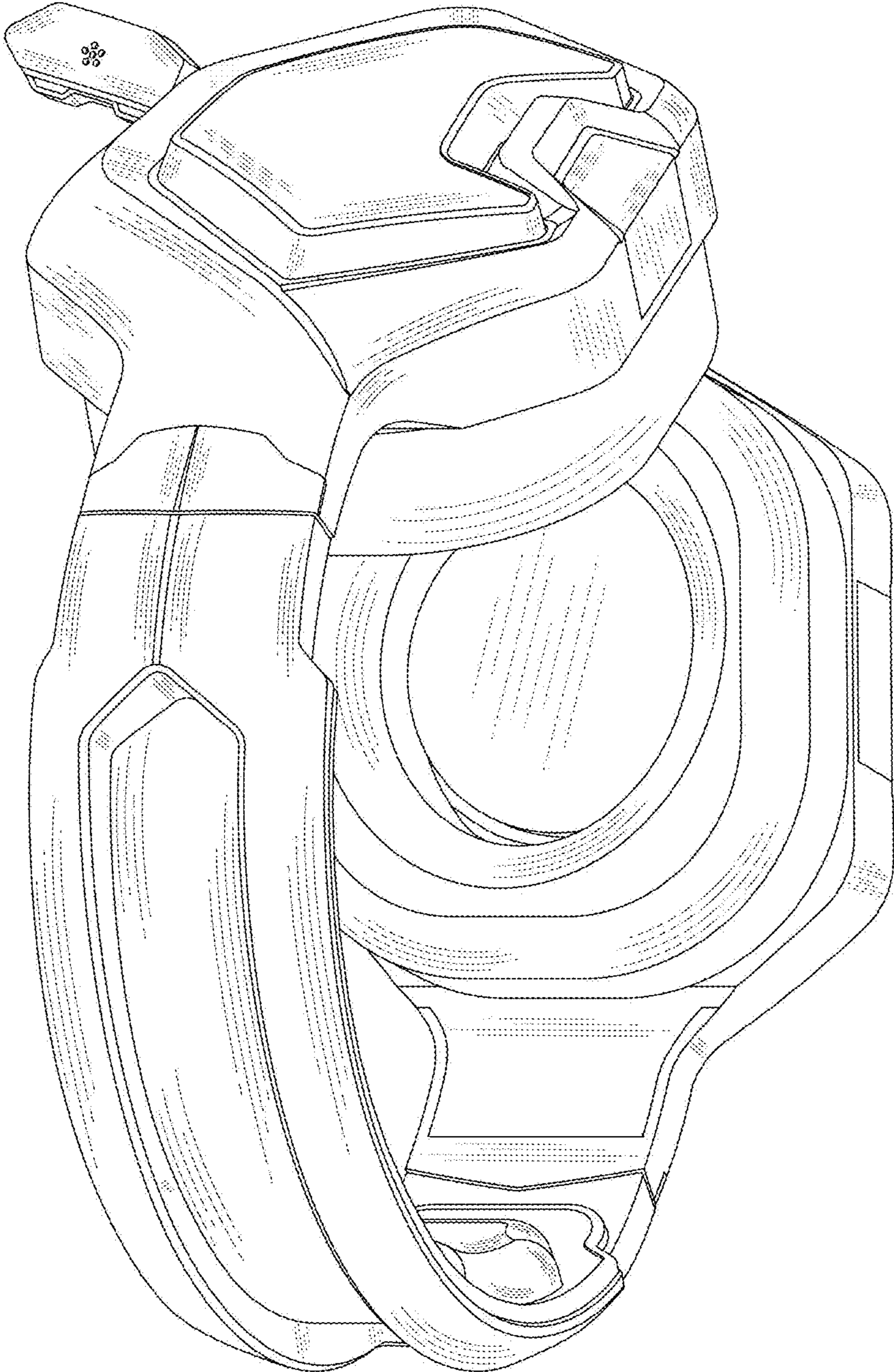


FIG.1

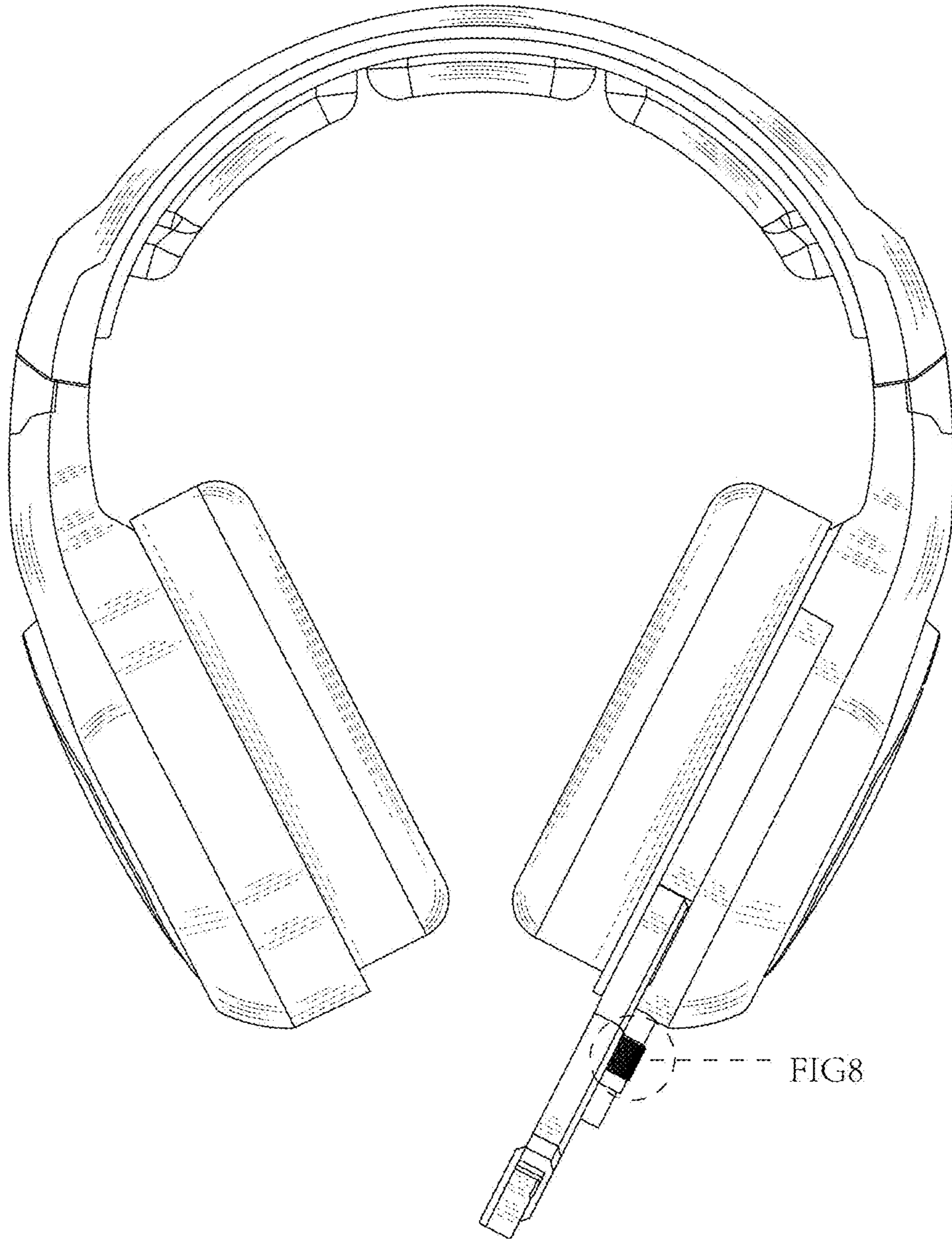


FIG.2



FIG.3

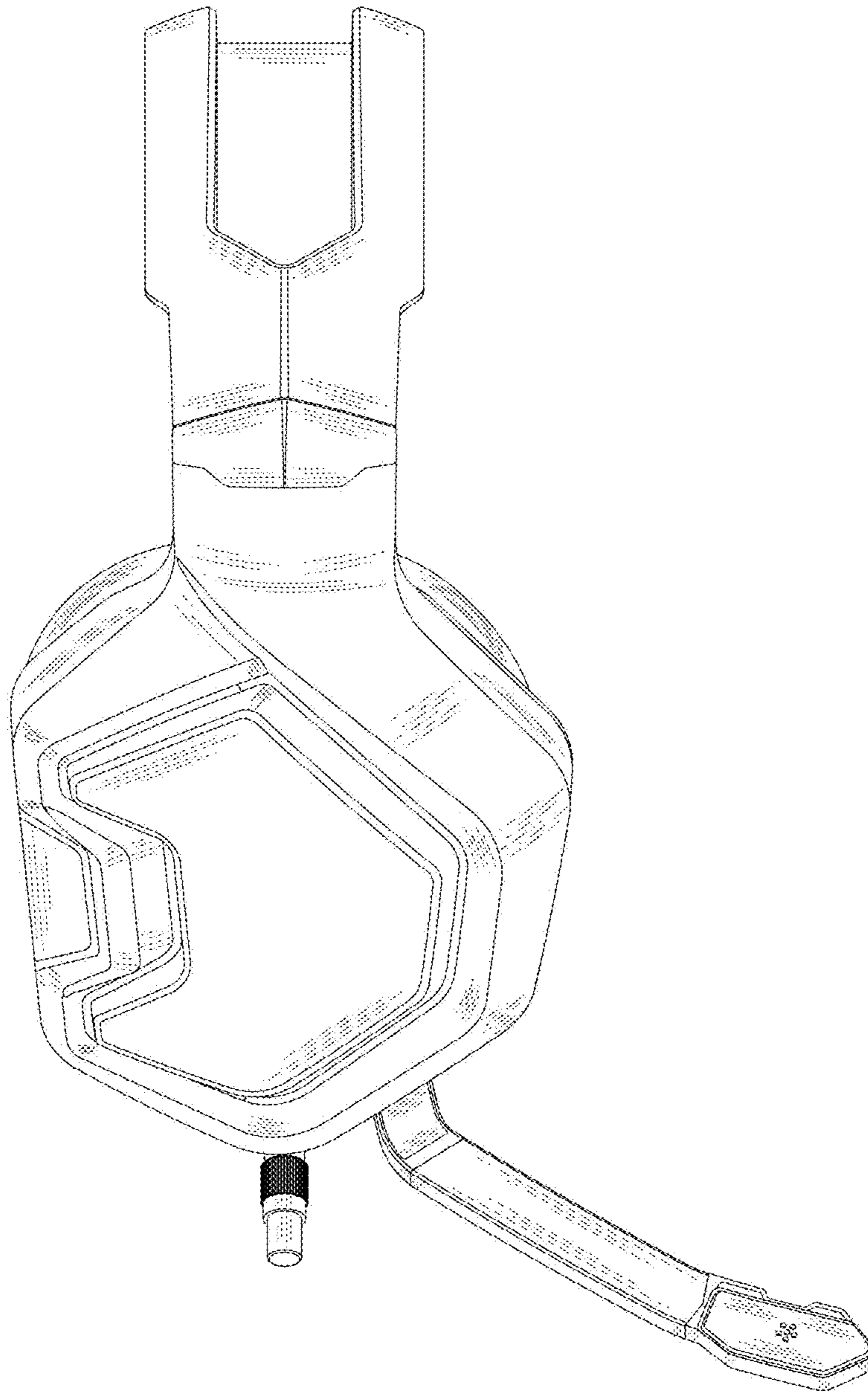


FIG.4

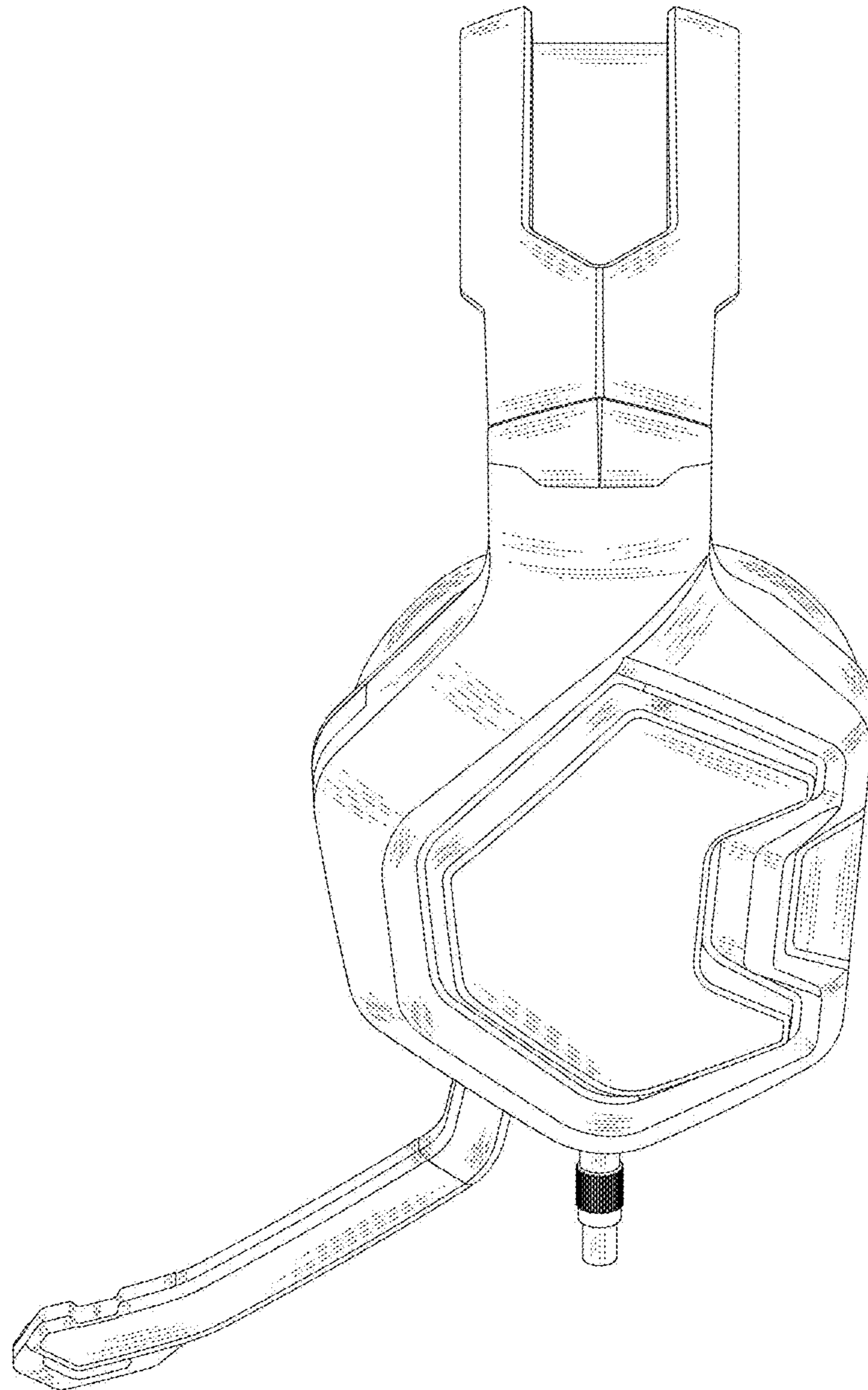


FIG.5

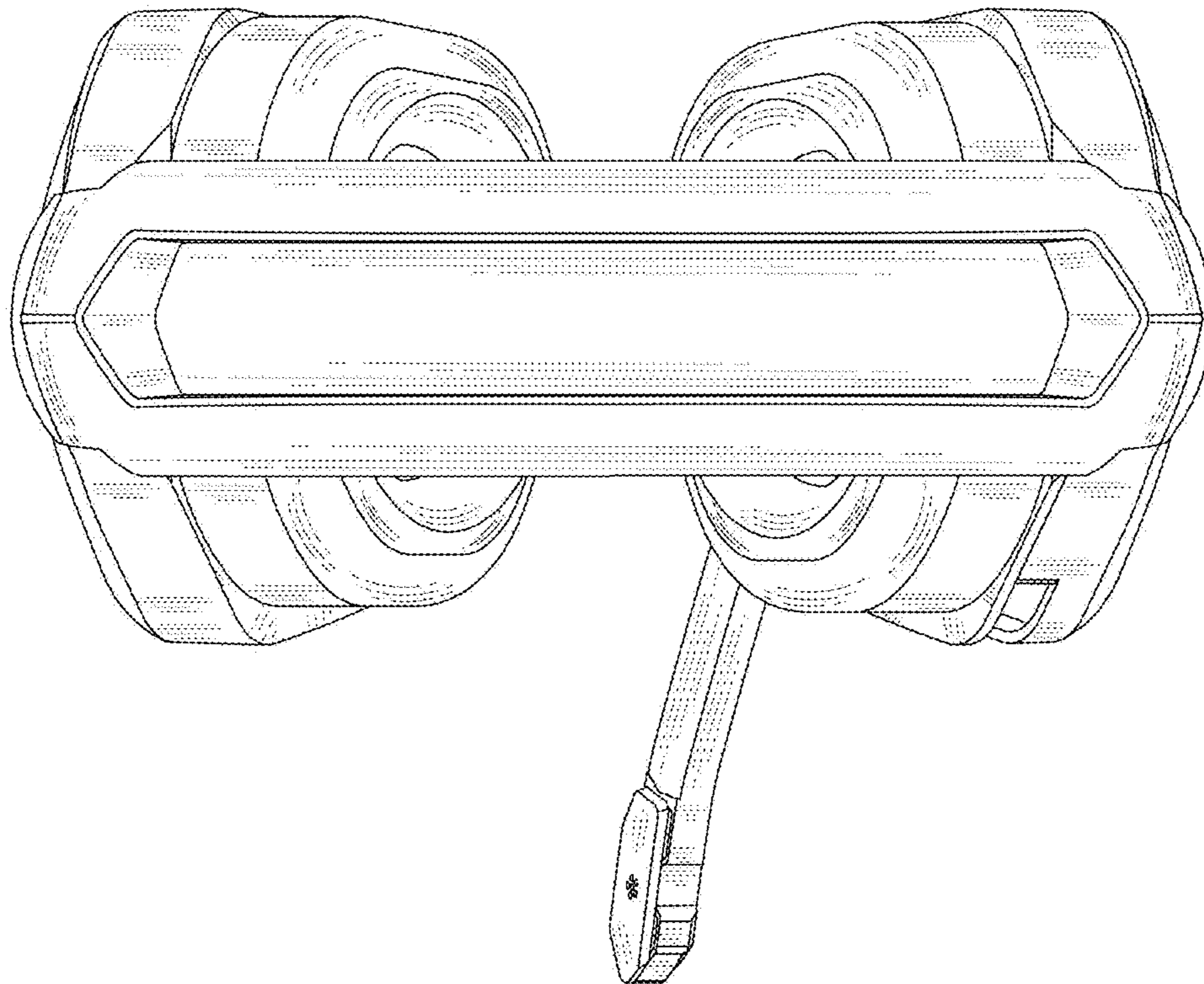


FIG.6

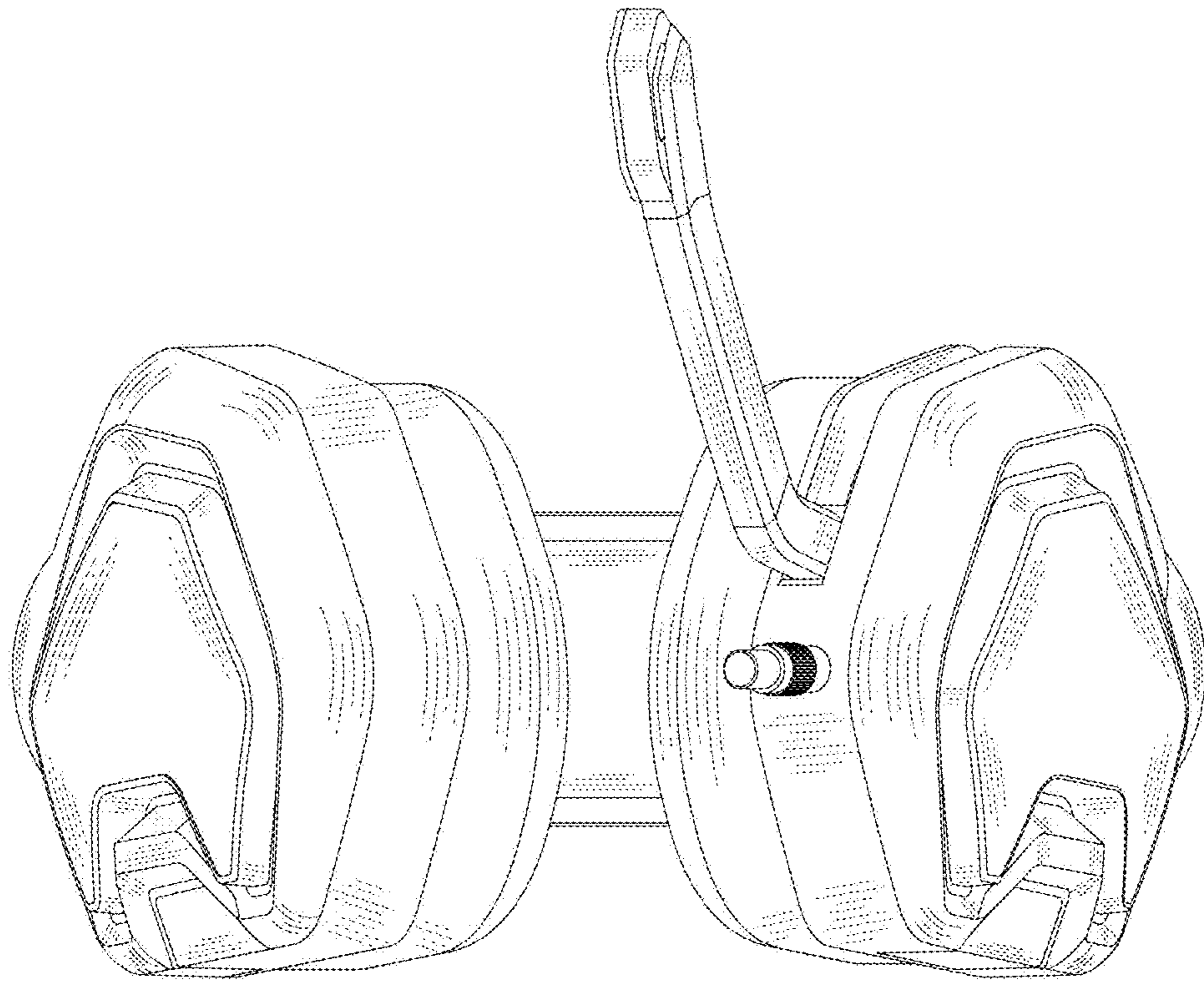


FIG. 7

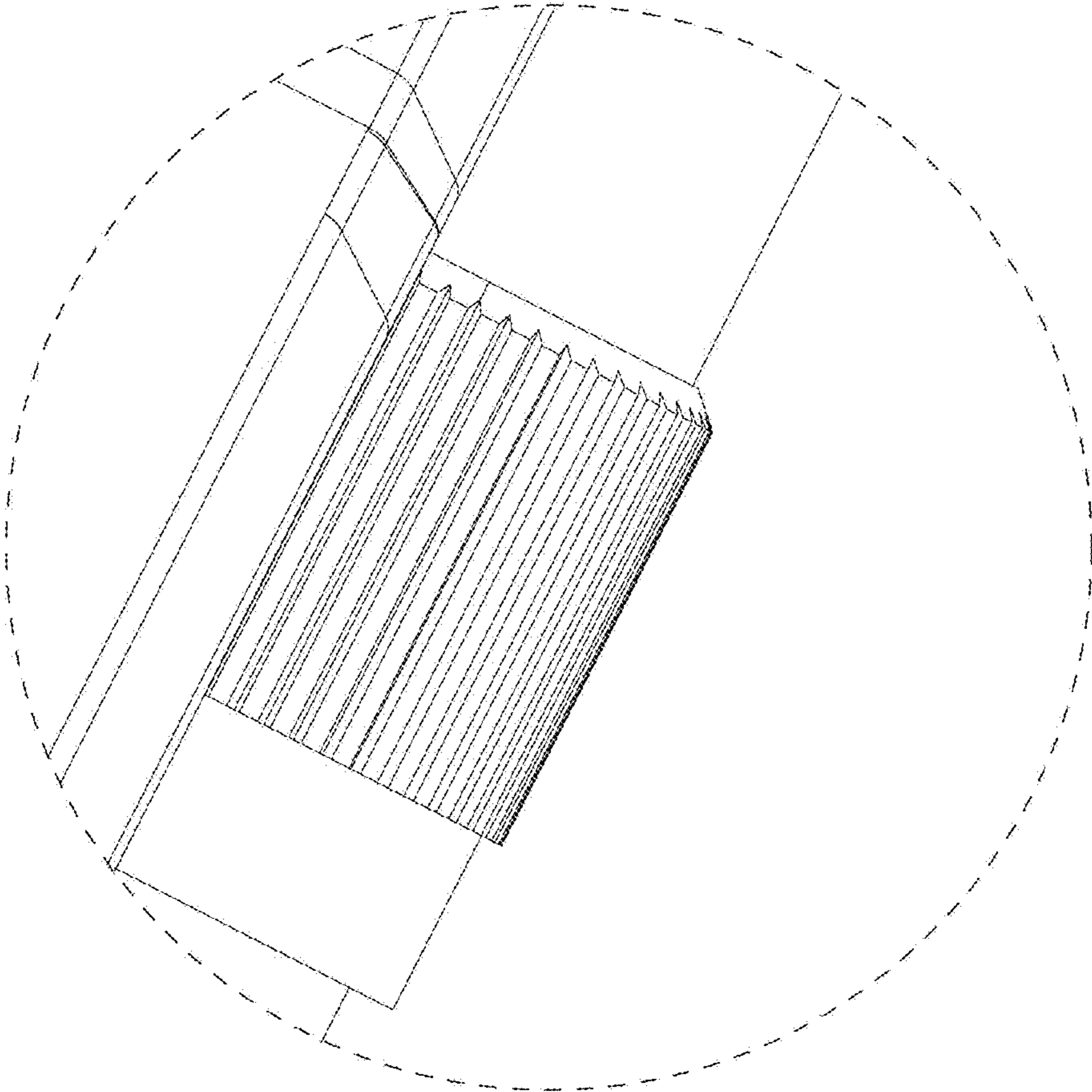


FIG. 8