



US00D935437S

(12) **United States Design Patent** (10) **Patent No.:** **US D935,437 S**
Brunner et al. (45) **Date of Patent:** **** Nov. 9, 2021**

(54) **AUDIO LISTENING SYSTEM**
(71) Applicant: **Apple Inc.**, Cupertino, CA (US)
(72) Inventors: **Robert Brunner**, Glen Ellen, CA (US);
Gregoire Vandebussche, San Francisco, CA (US); **Christopher Fruhauf**, San Anselmo, CA (US)
(73) Assignee: **Apple Inc.**, Cupertino, CA (US)
(**) Term: **15 Years**
(21) Appl. No.: **29/787,660**
(22) Filed: **Jun. 8, 2021**

Related U.S. Application Data

(60) Continuation of application No. 29/723,350, filed on Feb. 6, 2020, now Pat. No. Des. 921,609, which is a continuation of application No. 29/668,071, filed on Oct. 26, 2018, now Pat. No. Des. 876,389, which is a continuation of application No. 29/593,122, filed on Feb. 6, 2017, now Pat. No. Des. 832,233, which is a continuation of application No. 29/526,277, filed on May 7, 2015, now Pat. No. Des. 778,255, which is a continuation of application No. 29/488,470, filed on Apr. 18, 2014, now Pat. No. Des. 729,198, which is a division of application No. 29/475,634, filed on Dec. 4, 2013, now Pat. No. Des. 704,163, which is a
(Continued)

(51) **LOC (13) Cl.** **14-01**
(52) **U.S. Cl.**
USPC **D14/205**
(58) **Field of Classification Search**
USPC D14/205, 188, 192; D29/112; 2/209;
381/380, 381, 374; 455/90.3, 575.1,
455/569.1
CPC H04R 25/00; H04R 25/02; H04R 1/1066;
H04R 1/1016; H04R 5/033; H04R
5/0335; H04R 1/10; H04R 1/1091; H04R
1/1058; A42B 3/16; A61F 11/14
See application file for complete search history.

(56) **References Cited**
U.S. PATENT DOCUMENTS
1,066,511 A 7/1913 Markoff
1,560,718 A * 11/1925 Nowosielski H04R 1/1066
381/377

(Continued)

FOREIGN PATENT DOCUMENTS

EM 002392613-0001 * 1/2014
EM 006538716-0002 * 5/2019

(Continued)

OTHER PUBLICATIONS

Office Action dated Dec. 10, 2010 for Russian Patent Application No. 2010501890.

(Continued)

Primary Examiner — Paula Allen Greene
(74) *Attorney, Agent, or Firm* — Sterne, Kessler, Goldstein & Fox P.L.L.C.

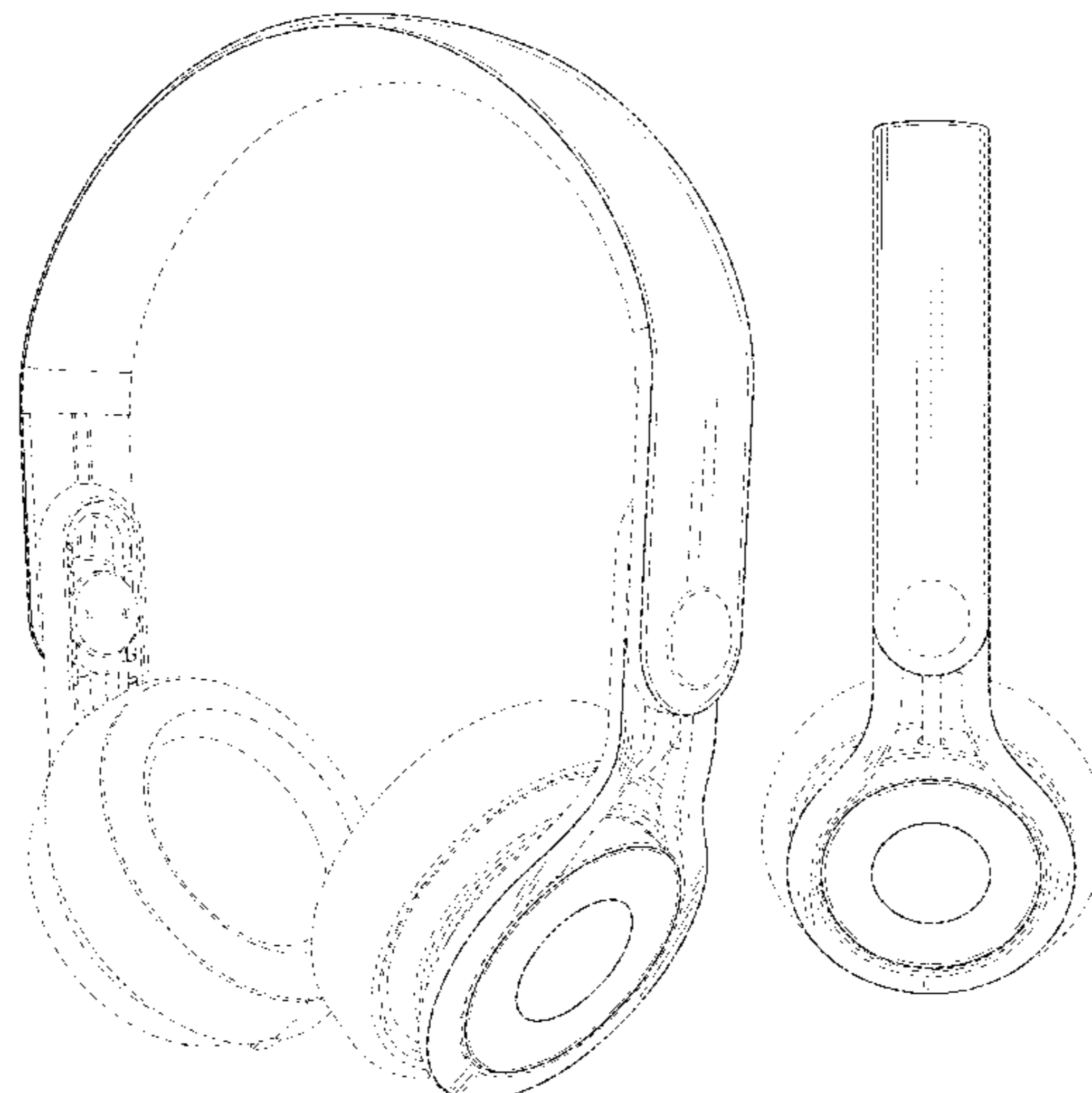
(57) **CLAIM**

The ornamental design for an audio listening system, as shown and described.

DESCRIPTION

FIG. 1 is a front perspective view of an audio listening system showing the claimed design; FIG. 2 is a front view thereof; FIG. 3 is a right side view thereof; FIG. 4 is a left side view thereof; FIG. 5 is a rear view thereof; FIG. 6 is a top view thereof; and, FIG. 7 is a bottom view thereof. The broken lines in the figures show portions of the audio listening system that form no part of the claimed design.

1 Claim, 4 Drawing Sheets



Related U.S. Application Data

continuation of application No. 29/417,832, filed on Apr. 9, 2012, now Pat. No. Des. 696,226, which is a division of application No. 29/382,418, filed on Jan. 3, 2011, now Pat. No. Des. 657,345.

(56)

References Cited

U.S. PATENT DOCUMENTS

1,606,165 A	11/1926	Glenn		6,163,615 A	12/2000	Callahan	
1,878,397 A *	9/1932	Hekler	A45D 44/12 2/174	6,195,839 B1	3/2001	Patterson et al.	
2,025,385 A	12/1935	Grace et al.		D457,512 S	5/2002	Yoneda	
2,149,341 A	3/1939	Harrison		6,449,806 B1	9/2002	Engelhard et al.	
2,273,136 A	2/1942	Orech et al.		D468,723 S	1/2003	Pham et al.	
2,437,049 A	3/1948	Salisbury et al.		6,611,963 B2	9/2003	Woo et al.	
2,481,387 A	9/1949	Bonecutter		D484,485 S	12/2003	Matsuoka	
2,487,787 A	11/1949	Brown		6,654,966 B2	12/2003	Rolla	
2,501,107 A *	3/1950	Volkman	H04R 5/0335 381/378	D484,868 S	1/2004	Suzuki	
2,653,193 A	9/1953	Anderson		6,678,897 B2	1/2004	Lindgren	
2,689,909 A	9/1954	Dazley		6,724,906 B2	4/2004	Naksen et al.	
2,993,962 A	7/1961	Hothem		D491,163 S	6/2004	Green	
3,104,398 A	9/1963	Palmaer		D502,938 S	3/2005	Tokioka et al.	
3,211,160 A *	10/1965	Miller	A45D 8/00 132/275	D504,833 S	5/2005	Jacobson et al.	
3,219,302 A	11/1965	Smith		D504,883 S	5/2005	Jacobson et al.	
D203,677 S	2/1966	Spilman		D512,381 S	12/2005	Sirichai et al.	
3,243,527 A	3/1966	Sternheim		D512,708 S	12/2005	Harris, Jr. et al.	
3,245,547 A	4/1966	Felkay		D512,981 S	12/2005	Jacobson et al.	
3,461,463 A	8/1969	Beguina		D517,043 S	3/2006	Jacobson et al.	
3,488,457 A *	1/1970	Lahti	H04R 1/1008 381/371	D519,497 S	4/2006	Komiyama	
3,562,816 A *	2/1971	Hutchinson	A61F 11/14 2/209	7,072,483 B2	7/2006	Lenhard-Backhaus	
3,845,505 A	11/1974	Davison et al.		D532,407 S	11/2006	Motoishi	
3,943,574 A	3/1976	Yamaguchi et al.		D534,155 S	12/2006	Obata	
D244,300 S	5/1977	Besasio		D534,156 S	12/2006	Obata	
4,048,453 A	9/1977	Seidel		7,172,052 B2	2/2007	Lenhard-Backhaus	
D246,242 S	11/1977	Bellini		D539,267 S	3/2007	Komiyama	
4,069,512 A	1/1978	Palmaer		D539,788 S	4/2007	Thompson et al.	
4,173,715 A	11/1979	Gosman		D540,301 S	4/2007	Obata	
D254,183 S	2/1980	Doodson		D540,303 S	4/2007	Rausch et al.	
D254,876 S	5/1980	Reitenga et al.		D541,255 S	4/2007	Taylor et al.	
4,209,264 A	6/1980	Hellberg		D541,256 S	4/2007	Rausch et al.	
4,437,538 A	3/1984	Ohlsson et al.		D541,257 S	4/2007	Thursfield	
4,571,746 A	2/1986	Gorike		D552,077 S	10/2007	Brunner et al.	
4,609,786 A	9/1986	Omoto et al.		D557,684 S	12/2007	Pundsack et al.	
4,634,816 A	1/1987	O'Malley		D560,654 S	1/2008	Feng	
4,875,233 A	10/1989	Derhaag et al.		D563,382 S	3/2008	Wikel	
D313,092 S	12/1990	Nilsson		D563,995 S	3/2008	Deguchi et al.	
5,018,599 A	5/1991	Dohi et al.		D570,825 S	6/2008	Schultz et al.	
5,035,005 A	7/1991	Hung		D582,890 S	12/2008	Koza et al.	
D328,074 S	7/1992	Yamazaki et al.		D584,715 S	1/2009	Brennwald	
D328,461 S	8/1992	Daido et al.		D585,870 S	2/2009	Zheng et al.	
D338,010 S	8/1993	Yamatogi		D585,871 S	2/2009	Lee	
D342,071 S	12/1993	Wright et al.		D585,872 S	2/2009	Lee	
D351,172 S	10/1994	Nakamura et al.		D588,098 S	3/2009	Kurihara	
D353,817 S	12/1994	Wada		D588,100 S	3/2009	Densho et al.	
D353,821 S	12/1994	Hammer et al.		D591,263 S	4/2009	Shimizu	
D358,389 S	5/1995	Isono		D592,182 S	5/2009	Sanguinetti	
D375,825 S	11/1996	Whidden		D592,640 S	5/2009	Tkachuk	
D403,128 S	12/1998	Scanlon et al.		D593,995 S	6/2009	Shimizu	
5,887,286 A *	3/1999	Waldron	A61F 11/14 2/209	D600,674 S	9/2009	Brennwald	
5,979,466 A *	11/1999	Chung	A45D 8/36 132/275	D603,370 S	11/2009	Suzuki	
6,016,574 A *	1/2000	Chen	A42B 1/0188 2/209	D603,371 S	11/2009	Boateng et al.	
D420,356 S	2/2000	Suzuki		D616,865 S	6/2010	Marchand et al.	
D422,592 S	4/2000	Deguchi		D617,769 S	6/2010	Birger	
D427,382 S	6/2000	Leight et al.		7,735,154 B2	6/2010	Gellis et al.	
6,081,604 A	6/2000	Hikichi et al.		D620,474 S	7/2010	Komiyama	
D430,140 S	8/2000	Roman		D625,705 S	10/2010	Ohuri et al.	
6,141,894 A	11/2000	Thalenfeld et al.		D632,668 S	2/2011	Brunner et al.	
D435,249 S	12/2000	Yasutomi		D633,896 S	3/2011	Kondo et al.	
				D635,959 S	4/2011	Hutchieson	
				D637,176 S	5/2011	Brunner et al.	
				D637,998 S	5/2011	Brunner et al.	
				D637,999 S	5/2011	Brunner et al.	
				D638,000 S	5/2011	Hoggarth	
				D639,776 S	6/2011	Arimoto	
				D641,725 S	7/2011	Chong et al.	
				8,006,320 B1 *	8/2011	Rohbani	A61F 11/14 2/209
				D648,330 S	11/2011	Fischer	
				D652,017 S	1/2012	Groves et al.	
				D652,405 S	1/2012	Lee et al.	
				D652,406 S	1/2012	Lee et al.	
				D654,471 S	2/2012	Fischer	
				D654,472 S	2/2012	Fischer	
				D657,344 S	4/2012	Brunner et al.	
				D657,345 S *	4/2012	Brunner	H04R 5/033 D14/205
				D657,776 S	4/2012	Lee et al.	
				D658,158 S	4/2012	Suzuki	

(56)

References Cited

U.S. PATENT DOCUMENTS

D660,823 S 5/2012 Hardi et al.
 D660,824 S 5/2012 Hardi et al.
 D660,826 S 5/2012 Brunner et al.
 D662,490 S 6/2012 McSweyn
 D663,716 S 7/2012 Hardi et al.
 D668,633 S 10/2012 Enquist
 D671,914 S 12/2012 Lee et al.
 D673,520 S 1/2013 Tan
 D674,767 S 1/2013 Brunner et al.
 D687,411 S * 8/2013 Lee D14/205
 D689,463 S 9/2013 Hardi et al.
 D695,263 S 12/2013 Mogili
 D696,226 S * 12/2013 Brunner H04R 1/1008
 D697,047 S 1/2014 Yoshida
 8,660,287 B2 2/2014 Stephenson
 D702,210 S 4/2014 Birger
 D704,163 S * 5/2014 Brunner H04R 5/033
 D707,200 S 6/2014 Yang
 D709,860 S 7/2014 Brunner et al.
 D713,817 S 9/2014 Paterson et al.
 D716,760 S 11/2014 Brunner et al.
 D719,929 S * 12/2014 Rye D14/205
 D720,721 S 1/2015 Lu
 D722,590 S 2/2015 Lu
 D722,591 S 2/2015 Son et al.
 D724,560 S 3/2015 Galler
 D729,198 S * 5/2015 Brunner H04R 5/033
 9,084,055 B2 7/2015 Brunner et al.
 D760,687 S * 7/2016 Brunner D14/205
 D768,110 S 10/2016 Suzuki
 D778,255 S * 2/2017 Brunner H04R 5/033
 D791,103 S * 7/2017 Brunner D14/205
 D791,733 S * 7/2017 Brunner D14/205
 D794,602 S * 8/2017 Riggs D14/205
 D796,474 S 9/2017 Treski et al.
 D811,364 S * 2/2018 Park D14/205
 D830,330 S 10/2018 Petersen
 D832,233 S * 10/2018 Brunner H04R 5/033
 D833,071 S * 11/2018 Pennington D28/41
 D852,163 S * 6/2019 Nagamine D14/205
 D853,986 S 7/2019 Treski et al.
 D858,483 S * 9/2019 Hu D14/205
 D860,163 S * 9/2019 Xia D14/205
 D864,896 S 10/2019 Zhang
 10,469,939 B1 * 11/2019 Tikander H04R 1/2811
 D876,389 S * 2/2020 Brunner H04R 1/1008
 D877,114 S * 3/2020 Lindenberger D14/205
 D883,949 S * 5/2020 Hu D14/205
 D888,008 S * 6/2020 Yook D14/205
 D893,452 S * 8/2020 Yook D14/205
 D899,401 S * 10/2020 Smiechowski D14/205
 D904,339 S * 12/2020 Wang D14/205
 D921,609 S * 6/2021 Brunner H04R 5/033
 D14/205

2003/0182713 A1 10/2003 Rolla
 2004/0216946 A1 11/2004 Lenhard-Backhaus
 2005/0034218 A1 2/2005 Gette et al.
 2005/0053255 A1 3/2005 Harris et al.
 2005/0226452 A1 10/2005 Amae et al.
 2006/0001307 A1 1/2006 Embach
 2006/0027245 A1 * 2/2006 Spector A45D 8/36
 132/273
 2006/0062417 A1 3/2006 Tachikawa
 2006/0104471 A1 5/2006 Tsunoda et al.
 2008/0056525 A1 3/2008 Fujiwara et al.
 2009/0220118 A1 9/2009 Meier et al.
 2010/0128884 A1 5/2010 Sapiejewski et al.
 2010/0284558 A1 11/2010 Kimura et al.
 2011/0206216 A1 8/2011 Brunner et al.
 2013/0034259 A1 * 2/2013 Xiong H04R 1/1058
 381/380
 2014/0177884 A1 * 6/2014 Minarik H04R 1/1041
 381/309
 2014/0211976 A1 7/2014 Brunner et al.
 2015/0063623 A1 * 3/2015 Yoshida H04R 1/10
 381/378
 2015/0326973 A1 * 11/2015 Marrin G11B 20/10527
 381/309
 2016/0106192 A1 * 4/2016 Swartz A45D 8/36
 132/275
 2016/0183656 A1 * 6/2016 Karam A41D 20/00
 132/275
 2016/0212519 A1 * 7/2016 Henderson H04R 5/0335
 2020/0389719 A1 * 12/2020 Morris H04R 1/1066

FOREIGN PATENT DOCUMENTS

EM 007797287-0004 11/2019
 EM 007797287-0004 * 4/2020
 GB 2072035 B 2/1984
 IN 323619-001-0001 * 11/2019
 JP D1318386 S 5/1986
 JP D1406347 S 10/1987
 JP D1406347 S 10/1987
 JP D1430542 S 3/1988
 JP D1430542 S 3/1988
 KR 30-0476152 1/2008
 WO WO 2007103561 A2 9/2007
 WO WO 2012094176 A2 7/2012

OTHER PUBLICATIONS

Search Report dated Mar. 31, 2011 for Taiwan patent Application No. 099303306.
 Search Report and Written Opinion for PCT Application No. PCT/US11/67045 dated Sep. 27, 2012.
 Taiwan Office Action for Taiwan Application No. 101303990 dated Aug. 26, 2013.
 Taiwan Office Action for Taiwan Application No. 101301117 dated Aug. 26, 2013.
 Taiwan Office Action for Taiwan Application No. 102302000 dated Aug. 26, 2013.
 Taiwan Office Action for Taiwan Application No. 10130117 dated Aug. 26, 2013.

* cited by examiner

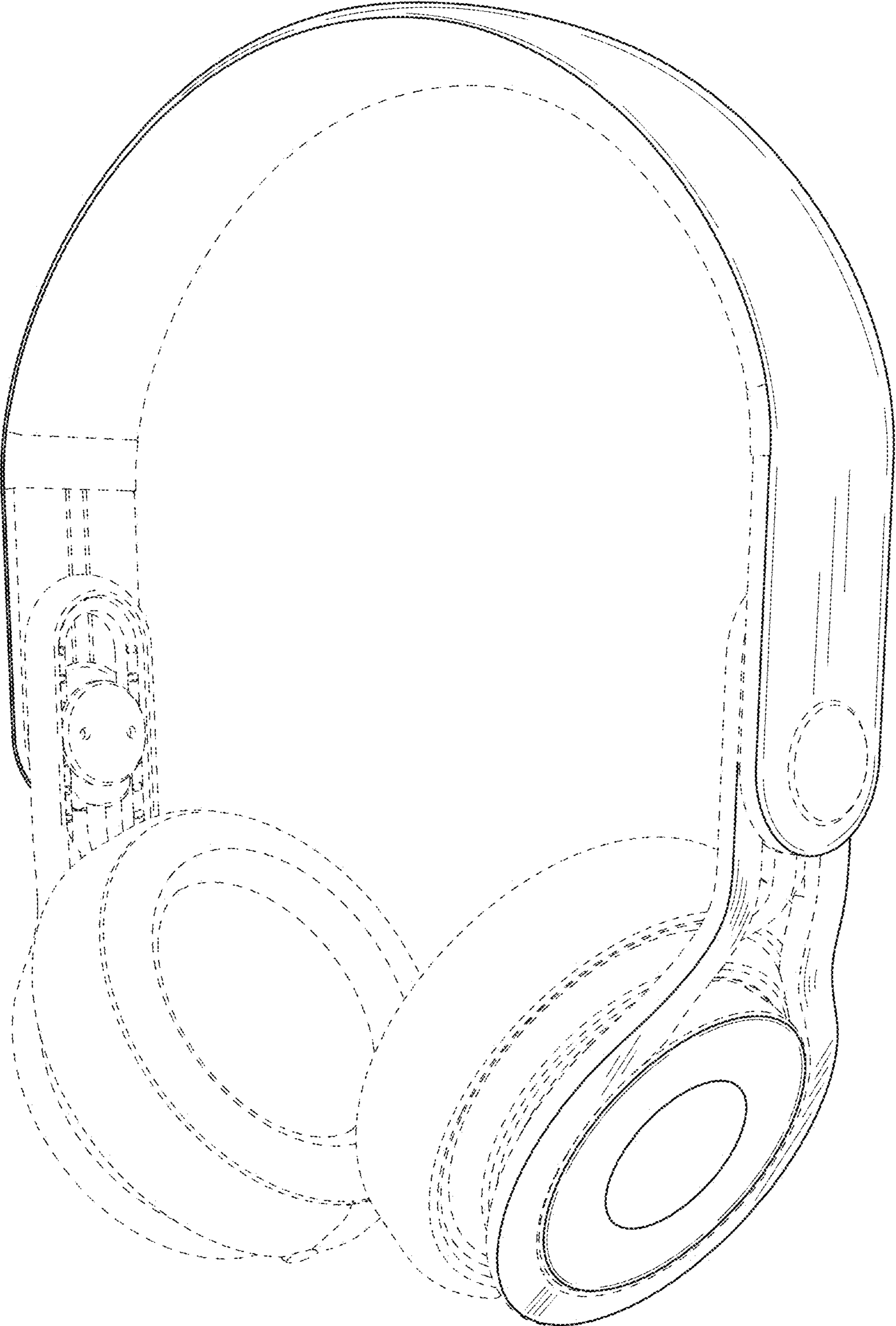


FIG. 1

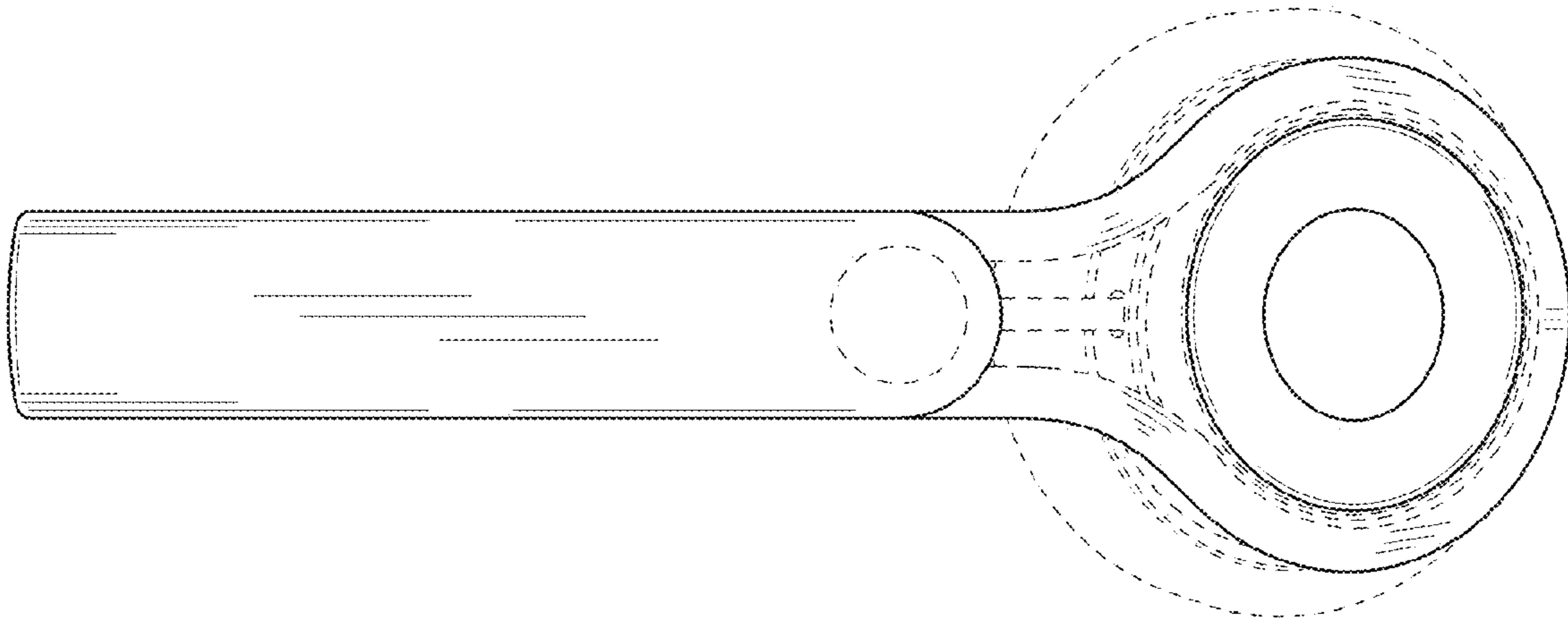


FIG. 3

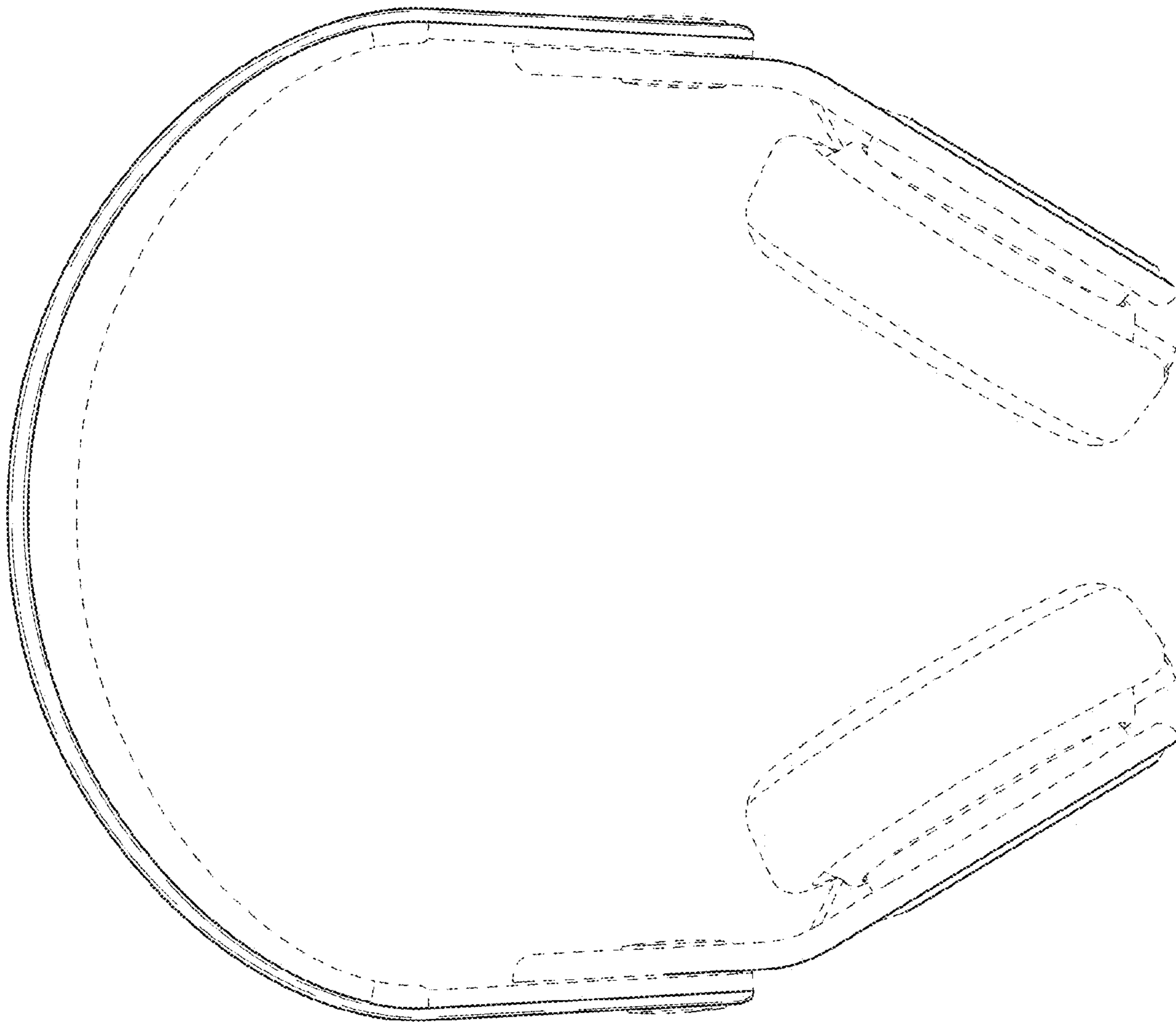


FIG. 2

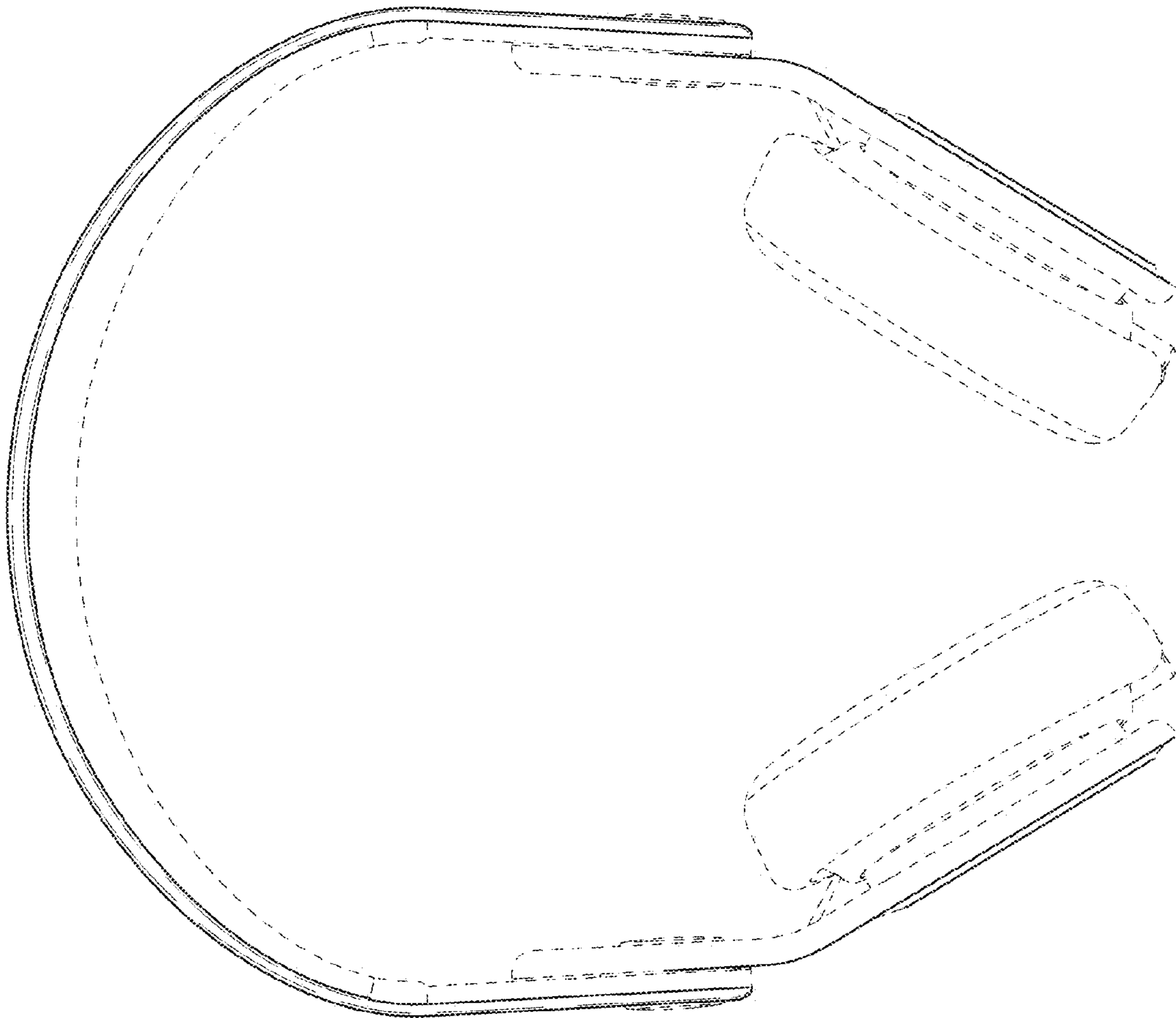


FIG. 4

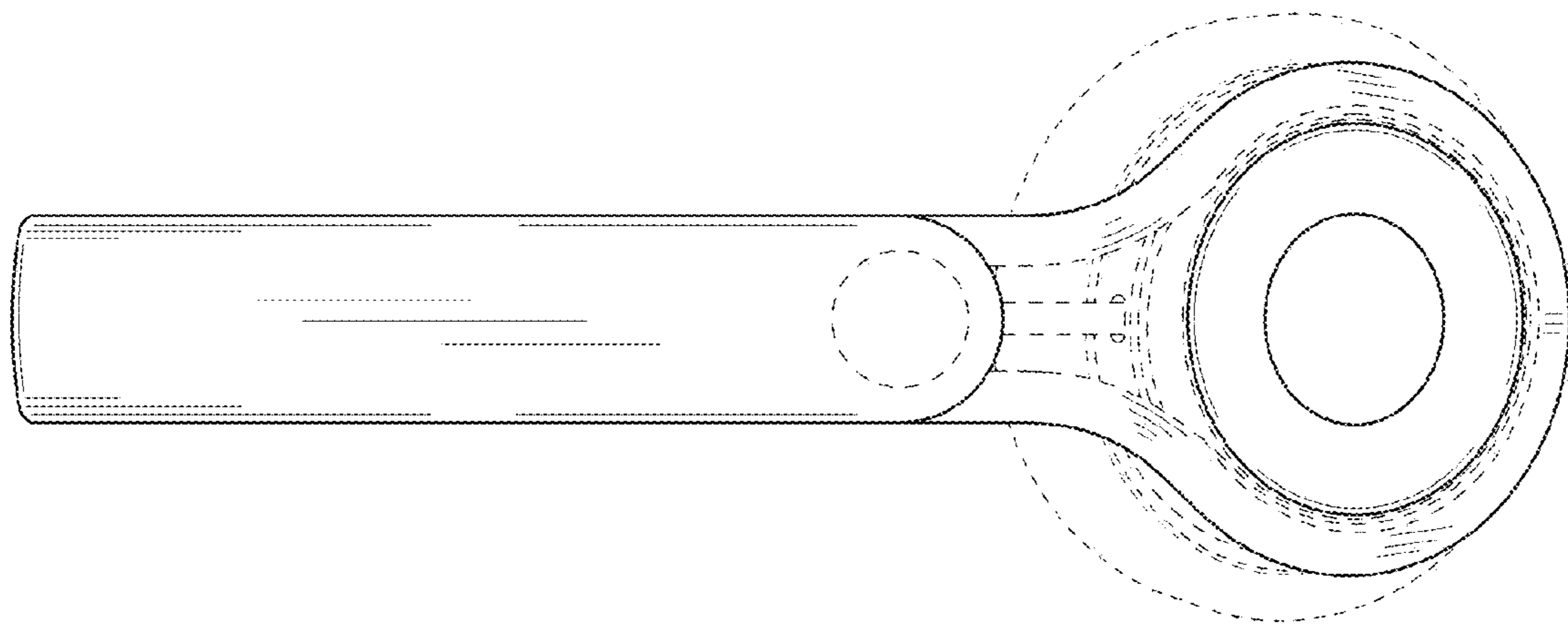


FIG. 5

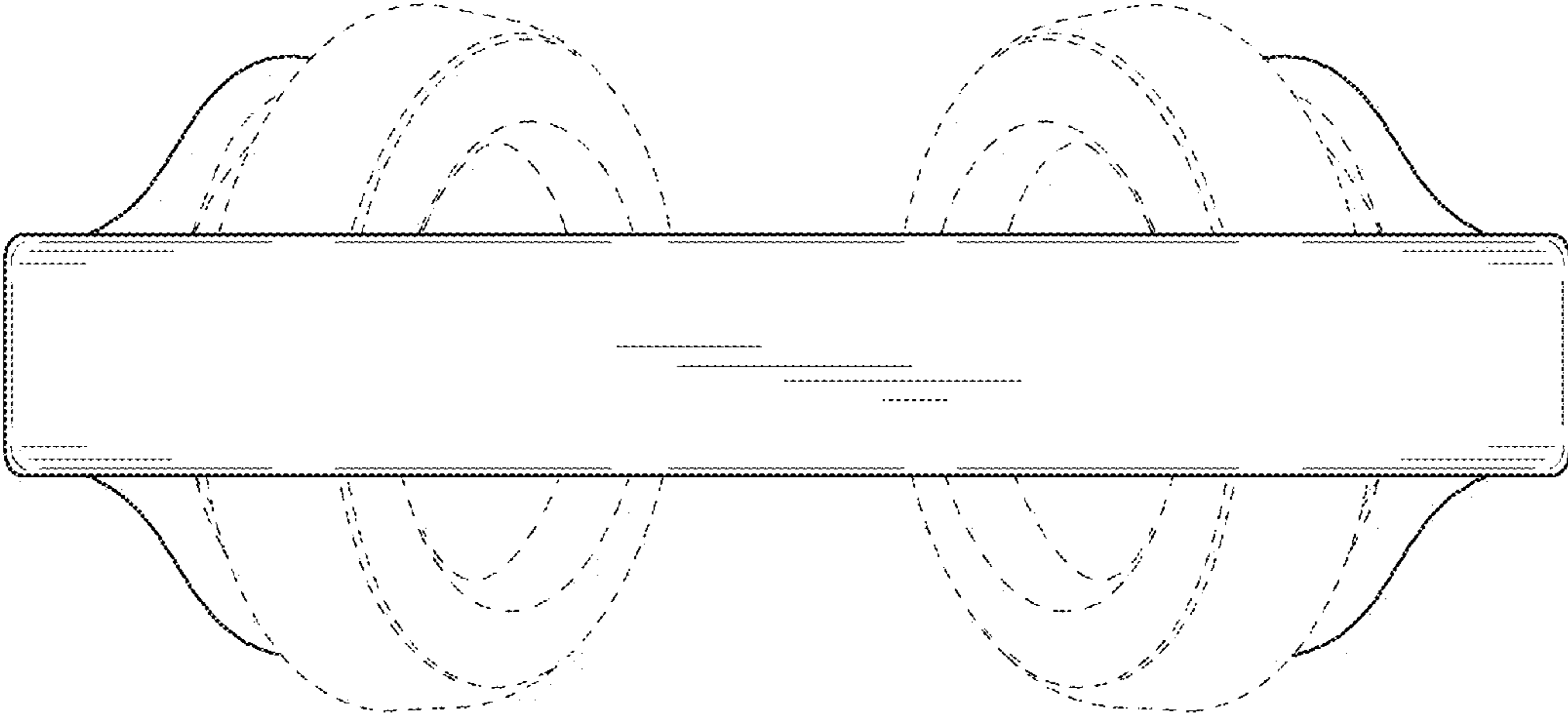


FIG. 6

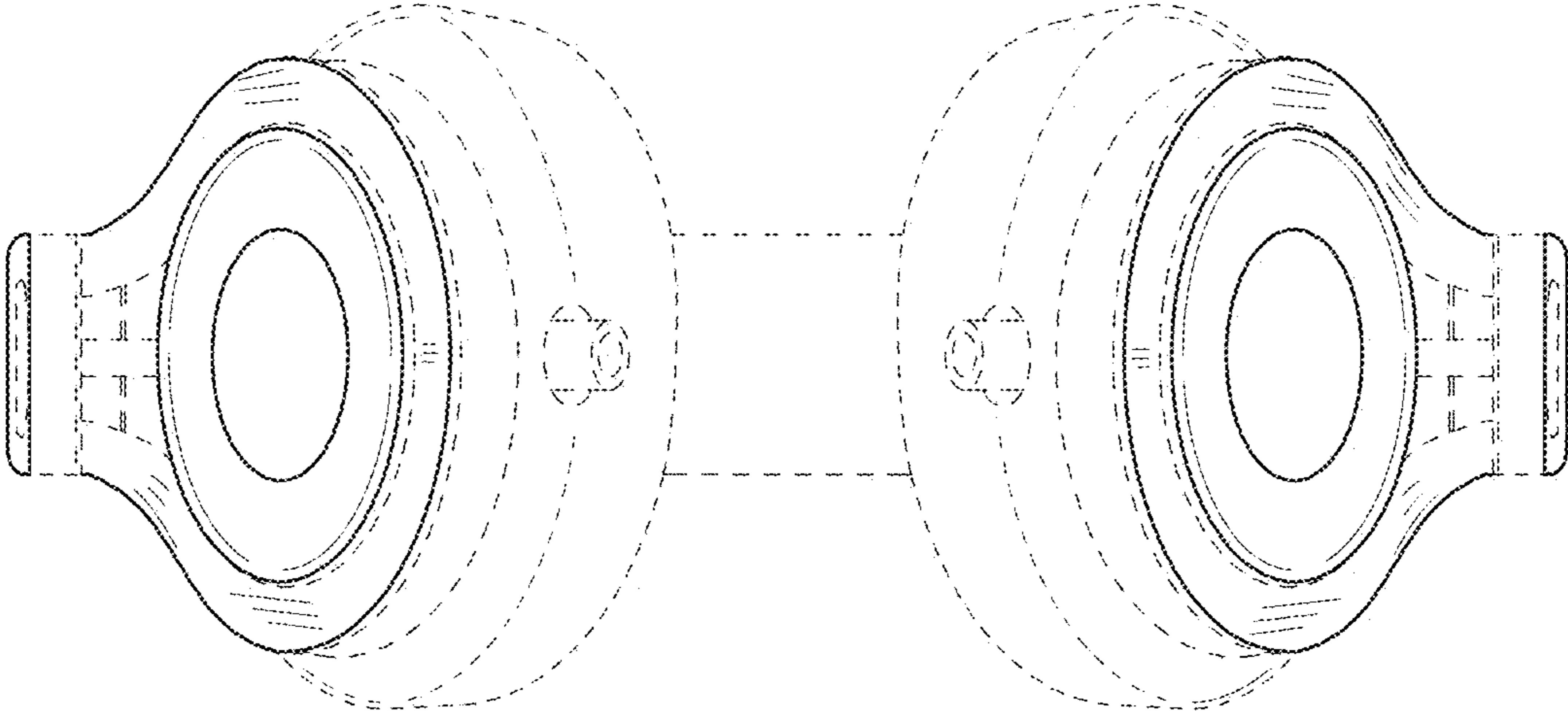


FIG. 7